

Kit



# FRP Linkage Replacement

Kit

407027A  
EN

For replacing the linkage on the FRP system catalyst pump.

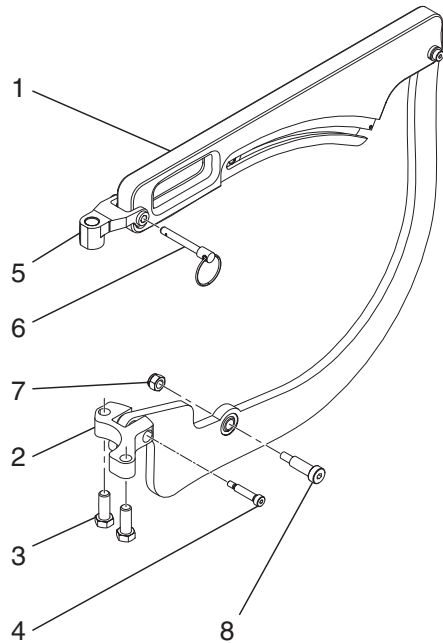


**Important Safety Instructions**

Read all warnings and instructions in FRP system manual. **Save all instructions.**

Part No. 16P125

# Parts



Ref	Part	Description	Qty
1	---	HARNESS, slave linkage	1
2	16M362	LINK, fixed, pivot	1
3	116596	SCREW, cap, hex head	2
4	119999	BOLT, shoulder	1
5	16M784	LINK, yoke, upper, assy	1
6	24M092	PIN, quick release, 1.5 x .25	1
7	111040	NUT, lock, insert, nylock, 5/16	1
8	120476	BOLT, shoulder, 5/16	1

--- Not for sale.

All written and visual data contained in this document reflects the latest product information available at the time of publication.

Graco reserves the right to make changes at any time without notice.

For patent information, see [www.graco.com/patents](http://www.graco.com/patents).

Original Instructions. This manual contains English. MM 407027

**Graco Headquarters:** Minneapolis

**International Offices:** Belgium, China, Japan, Korea

**GRACO INC. AND SUBSIDIARIES • P.O. BOX 1441 • MINNEAPOLIS MN 55440-1441 • USA**

Copyright 2012, Graco Inc. All Graco manufacturing locations are registered to ISO 9001.

[www.graco.com](http://www.graco.com)