

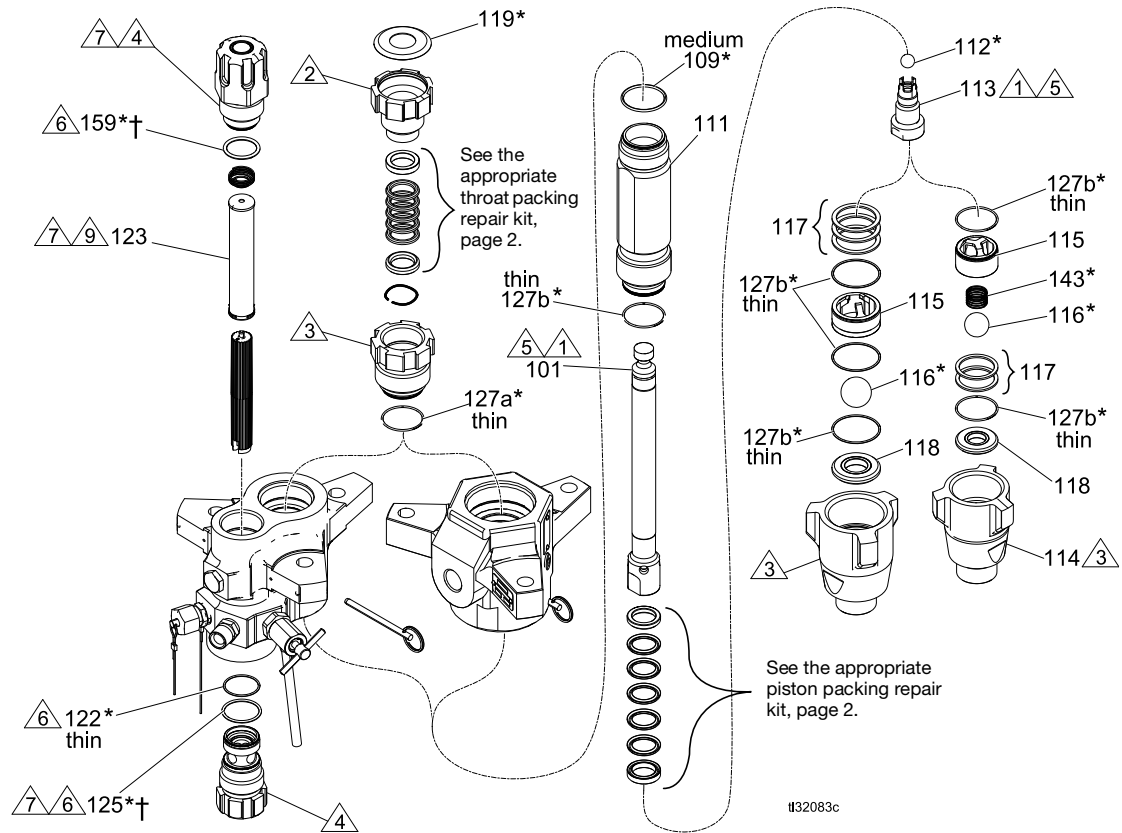
Repair Parts for Xtreme™ and XP Xtreme 115cc Lower

406889M

EN

Important Safety Instructions

Read all warnings and instructions in manual 311762. Save those instructions.



NOTE: Non-filter models do not use items 122, 123, 125, and 159.

- ① Torque to 115-135 ft-lb (155-182 N•m)
- ② Torque to 75 ft-lb (100 N•m).
- ③ Torque to 135-150 ft-lb (183-203 N•m)
- ④ Torque to 40-60 ft-lb (52-82 N•m)
- ⑤ Apply anti-seize to threads before assembly.
- ⑥ Lubricate
- ⑦ Circular grooves on top filter caps (not included) indicates pump series. See page 3 for detailed information.
- ⑧ Thick, medium, and thin refers to the relative cross-section thickness of the o-rings.
- ⑨ Pumps with 3 in. (76.2 mm) filters can be upgraded with 5.65 in. (143.5 mm) filters from kit 24F975.

Bulk Pack Replacement Parts

Ref.	Description	Pump Lower Model						
		L115C0	L115C1	L115C2	L115C3	L115C4	L115C5	L115C6
101	ROD, Displacement	Depends on Series (See page 4)					273270 (Qty 1)	
103*	THROAT PACKING SET	Graco Formulated PTFE		25D150 (See Packing Kits) (Qty 1)				
		Graco Formulated PTFE/UHMWPE		25D174 (See Packing Kits) (Qty 1)				
		Graco Formulated Leather/UHMWPE		25D133 (See Packing Kits) (Qty 1)				
104*	PISTON PACKING SET	Graco Formulated PTFE		25D160 (See Packing Kits) (Qty 1)				
		Graco Formulated PTFE/UHMWPE		25D188 (See Packing Kits) (Qty 1)				
		Graco Formulated Leather/UHMWPE		25D140 (See Packing Kits) (Qty 1)				
109*	O-RING, PTFE, medium; top cylinder; (10-pack)	288067 10-pack (Qty 1)						
111	CYLINDER	Depends on Series (See page 4)					19B776 (Qty 1)	
112*	BALL, piston, 9/16 in. (3-pack)	Depends on Series (See page 4)					---	
	BALL, piston, 3/4 in. (3-pack)	Depends on Series (See page 4)					253029 3-pack (Qty 1)	
113	VALVE, Piston	Depends on Series (See page 4)					273271 (Qty 1)	
114	HOUSING, Inlet	Depends on Series (See page 4)					197303 (Qty 1)	
115	GUIDE, Inlet Ball	Depends on Series (See page 4)					197307 (Qty 1)	
116*	BALL, inlet, 1 in. (3-pack)	Depends on Series (See page 4)					---	
	BALL, inlet 1-1/4 in. (3-pack)	Depends on Series (See page 4)					245128 3-pack (Qty 1)	
117	SHIM, inlet, ball guide (9-pack)	Depends on Series (See page 4)					---	
	SHIM, inlet, ball guide (9-pack)	Depends on Series (See page 4)					244855 9-pack (Qty 3)	
118	SEAT, Inlet	Depends on Series (See page 4)					196358 (Qty 1)	
119*	PLUG, throat seal (10-pack)	247393 10-pack (Qty 1)						
122*	O-RING, filter; thin, PTFE (10-pack)	244895 10-pack (Qty 1)	---	244895 10-pack (Qty 1)	---	244895 10-pack (Qty 1)	244895 10-pack (Qty 1)	---
123	STRAINER, 30 mesh screen 5.65 in. (143.5 mm) (2-pack)	224458 2-pack (Qty 1)	---	**	---	**	**	---
	STRAINER, 30 mesh screen, 5.65 in. (143.5 mm) (25-pack)	238436 25-pack (Qty 1)	---	**	---	**	**	---
	STRAINER, 60 mesh screen, 5.65 in. (143.5 mm) (2-pack)	**	---	224459 2-pack (Qty 1)	---	224459 2-pack (Qty 1)	224459 2-pack (Qty 1)	---
	STRAINER, 60 mesh screen 5.65 in. (143.5 mm) (25-pack)	**	---	238438 25-pack (Qty 1)	---	238438 25-pack (Qty 1)	238438 25-pack (Qty 1)	---
125*	O-RING, lower cap (10-pack)	262484 10-pack (Qty 1)	---	262484 10-pack (Qty 1)	---	262484 10-pack (Qty 1)	262484 10-pack (Qty 1)	---
	For Series A Series A pumps (10-pack)	244896 10-pack (Qty 1)	---	244896 10-pack (Qty 1)	---	244896 10-pack (Qty 1)	---	---
127a*	O-RING, PTFE, thin (10-pack), throat cartridge	Depends on Series (See page 4)					288068 10-pack (Qty 1)	
127b*	O-RING, PTFE, thin (10-pack), foot valve and cylinder bottom	Depends on Series (See page 4)					244890 10-pack (Qty 4)	
143*	SPRING, foot valve; (comes w/kits 25D243, 25D257, 273268, and 273269 only)	Depends on Series (See page 4)	---	---	---	---	---	---
159*	O-RING, top cap (10-pack)	262483 10-pack (Qty 1)	---	262483 10-pack (Qty 1)	---	262483 10-pack (Qty 1)	262483 10-pack (Qty 1)	---
	For Series A pumps (10-pack)	262483 10-pack (Qty 1)	---	262483 10-pack (Qty 1)	---	262483 10-pack (Qty 1)	---	---
*Included in Complete Repair Kits	Complete Repair Kit w/Graco Formulated PTFE Packings	25D243 Series G (and older); 273268 Series H (and newer)					273268	
	Complete Repair Kit w/Graco Formulated PTFE/UHMWPE Packings	25D257 Series G (and older); 273269 Series H (and newer)					273269	
	Complete Repair Kit w/Graco Formulated Leather/UHMWPE Packings	25D233 Series G (and older); 273267 Series H (and newer)					273267	

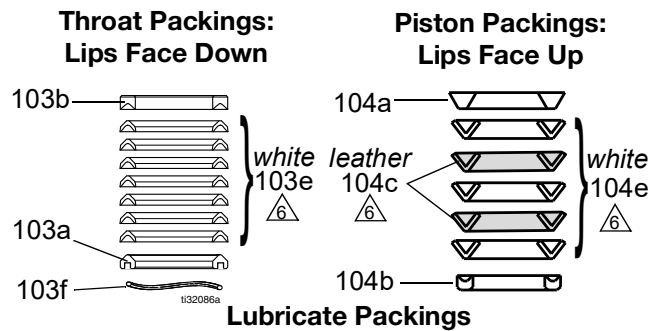
**Alternate Filter Mesh Size Available

† See page 5 to match correct o-ring with pump series. Discard unused o-rings; they do not fit different series pumps. Thick, medium, and thin refers to the relative cross-section thickness of the o-rings.

NOTE: The L115C0 model uses a 30 mesh filter.

Graco Formulated PTFE

NOTE: Throat and Piston Packings are the same.



Throat Seal Repair Kit 25D150 (PTFE) Includes:

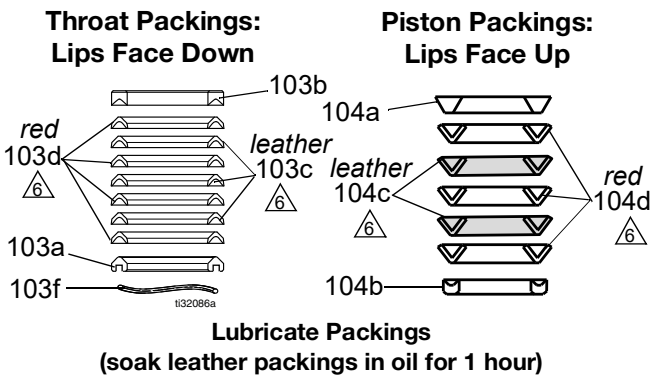
Ref.	Description	Qty.
103a	GLAND, male, throat	1
103b	GLAND, female, throat	1
103e	V-PACKING, PTFE, throat (white)	7
103f	WAVE SPRING	1

Piston Seal Repair Kit 25D160 (PTFE) Includes:

Ref.	Description	Qty.
104a	GLAND, male, piston	1
104b	GLAND, female, piston	1
104e	V-PACKING, PTFE, piston (white)	5

Graco Formulated UHMWPE/Leather

NOTE: Throat and Piston Packings are the same.



Throat Seal Repair Kit 25D133 Includes:

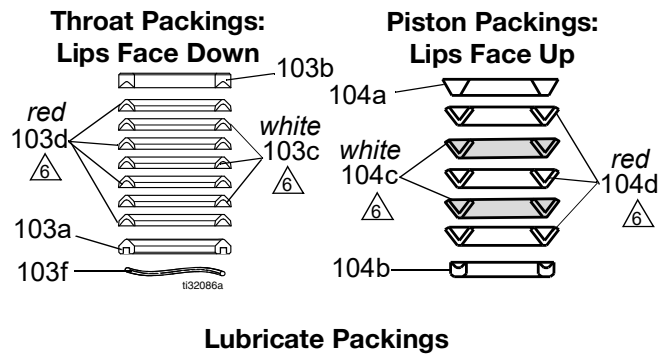
Ref.	Description	Qty.
103a	GLAND, male, throat	1
103b	GLAND, female, throat	1
103c	V-PACKING, leather, throat	3
103d	V-PACKING, UHMWPE, throat (red)	4
103f	WAVE SPRING	1

Piston Seal Repair Kit 25D140 Includes:

Ref.	Description	Qty.
104a	GLAND, male, piston	1
104b	GLAND, female, piston	1
104c	V-PACKING, leather, piston	2
104d	V-PACKING, UHMWPE, piston (red)	3

Graco Formulated UHMWPE/PTFE

NOTE: Throat and Piston Packings are the same.



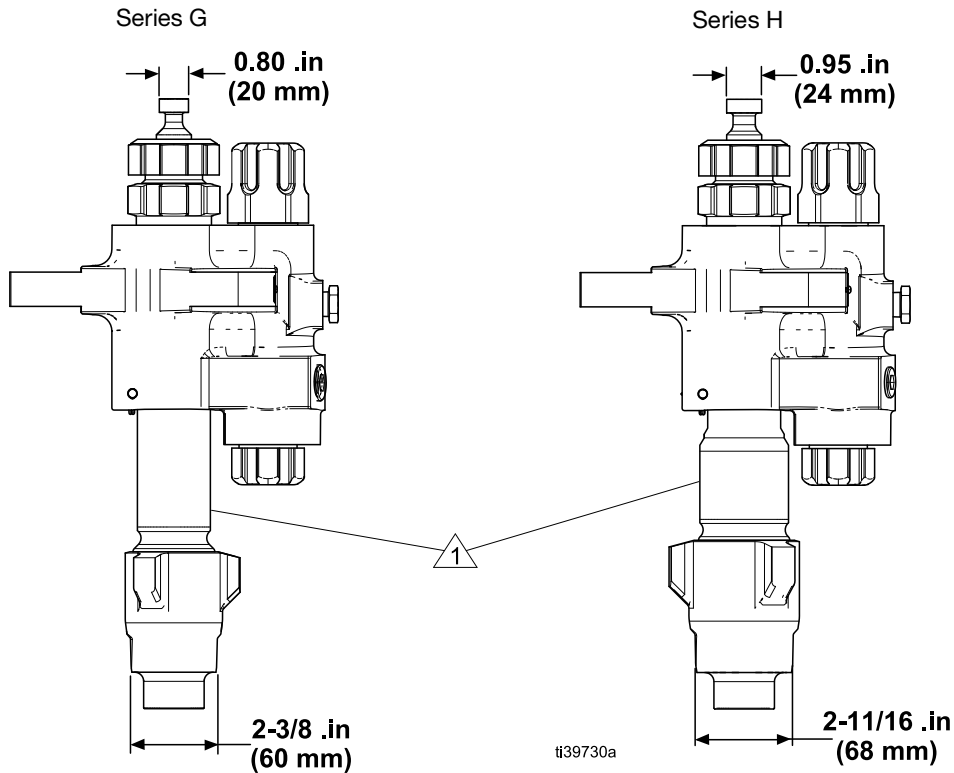
Throat Seal Repair Kit 25D174 Includes:

Ref.	Description	Qty.
103a	GLAND, male, throat	1
103b	GLAND, female, throat	1
103c	V-PACKING, PTFE, throat (white)	3
103d	V-PACKING, UHMWPE, throat (red)	4
103f	WAVE SPRING	1

Piston Seal Repair Kit 25D188 Includes:

Ref.	Description	Qty.
104a	GLAND, male, piston	1
104b	GLAND, female, piston	1
104c	V-PACKING, PTFE, piston (white)	2
104d	V-PACKING, UHMWPE, piston (red)	3

Xtreme 115cc Lowers



△ Series H and newer have a step in cylinder.

Ref.	Description	L115C1, L115C2, L115C3, L115C4		L115C0	
		Series G (and older)	Series H (and newer)	Series G (and older)	Series H (and newer)
101	ROD, displacement	24B820 (Qty 1)	• 273270 (Qty 1)	24B820 (Qty 1)	• 273270 (Qty 1)
111	CYLINDER	15F656 (Qty 1)	❖ 19B776 (Qty 1)	15F656 (Qty 1)	✚ 19B776 (Qty 1)
112	BALL, piston	288065 (Qty 1)	• 253029 (Qty 1)	288065 (Qty 1)	• 253029 (Qty 1)
113	VALVE, piston	24B817 (Qty 1)	• 273271 (Qty 1)	24B817 (Qty 1)	• 273271 (Qty 1)
114	HOUSING, inlet	15F667 (Qty 1)	❖ 197303 (Qty 1)	15F667 (Qty 1)	✚ 197303 (Qty 1)
115	GUIDE, inlet ball	15F664 (Qty 1)	❖ 197307 (Qty 1)	16D472 (Qty 1)	✚ 198646 (Qty 1)
116	BALL, inlet	244899 (Qty 1)	❖ 245128 (Qty 1)	244899 (Qty 1)	✚ 245128 (Qty 1)
117	SHIM, inlet ball guide	288064 (Qty 3)	❖ 244855 (Qty 3)	288064 (Qty 2)	✚ 244855 (Qty 3)
118	SEAT, inlet	15F665 (Qty 1)	❖ 196358 (Qty 1)	15F665 (Qty 1)	✚ 196358 (Qty 1)
127a	O-RING, throat cartridge	288068 (Qty 1)	❖ 288068 (Qty 1)	288068 (Qty 1)	✚ 288068 (Qty 1)
127b	O-RING, foot-valve and cylinder bottom	288068 (Qty 4)	❖ 244890 (Qty 4)	288068 (Qty 3)	✚ 244890 (Qty 3)
143	SPRING, foot-valve	----	----	124007 (Qty 1)	✚ 116801 (Qty 1)

• Available in Rod Upgrade kit 273284, which also includes larger coupling assembly 244819 (not shown)

❖ Available in Inlet Upgrade Kit 273285 (for B115C1, B115C2, B115C3, B115C4). Also includes item 109.

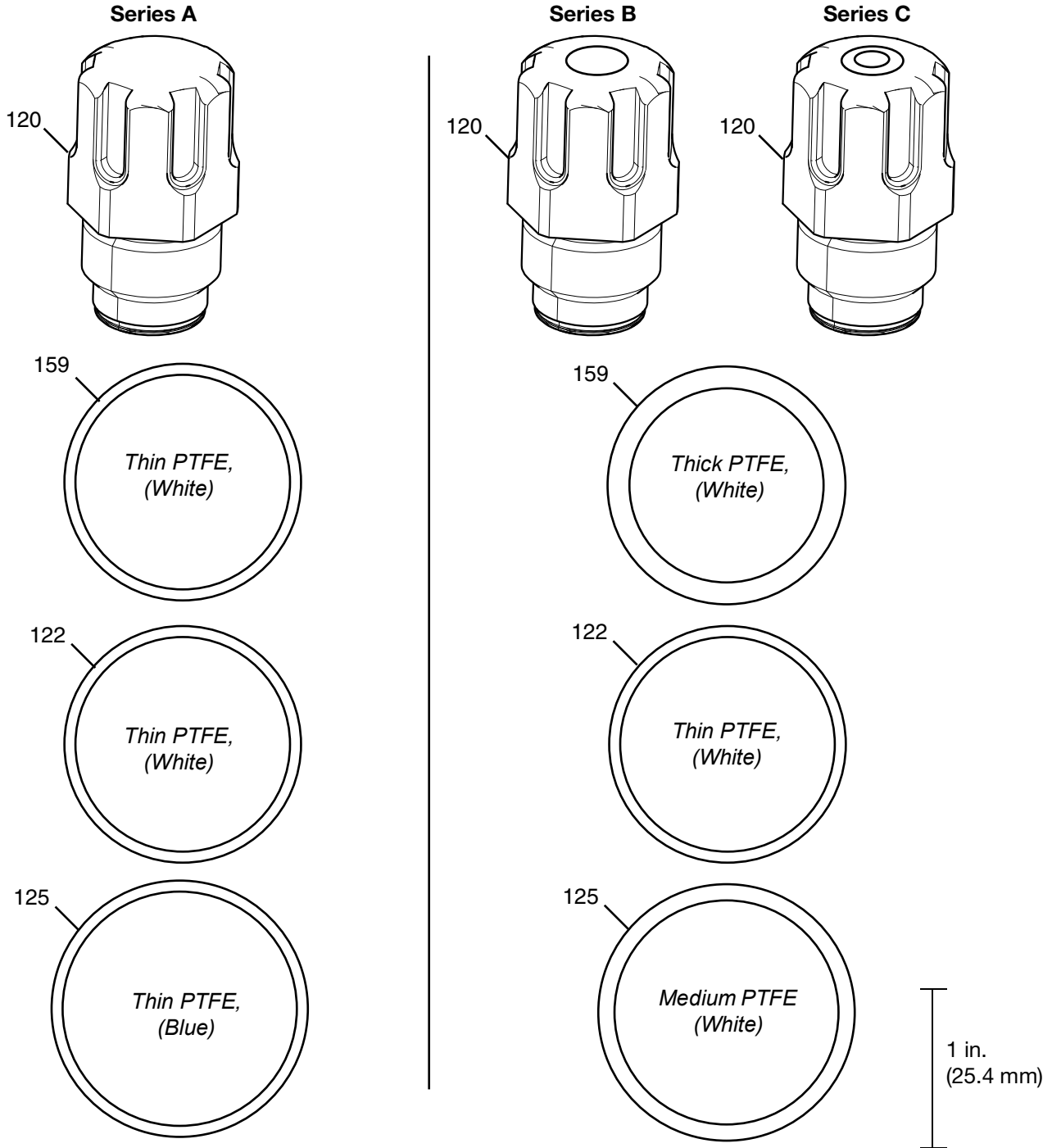
✚ Available in Inlet Upgrade Kit 273301 (for B115C0). Also includes item 109.

O-ring Chart

The pump series for all Xtreme and XP lowers are identified by the circular grooves on the top filter cap. Use the chart below to match the correct o-rings when rebuilding the pump.

The original filter cap seals were changed in 2010 for improved sealing. The o-rings are not interchangeable between different series filter caps. See **24F975 Filter Cap Conversion Kit**, page 3.

Note: The top filter cap is shown (not included in the repair kit). O-rings below are shown at actual size.

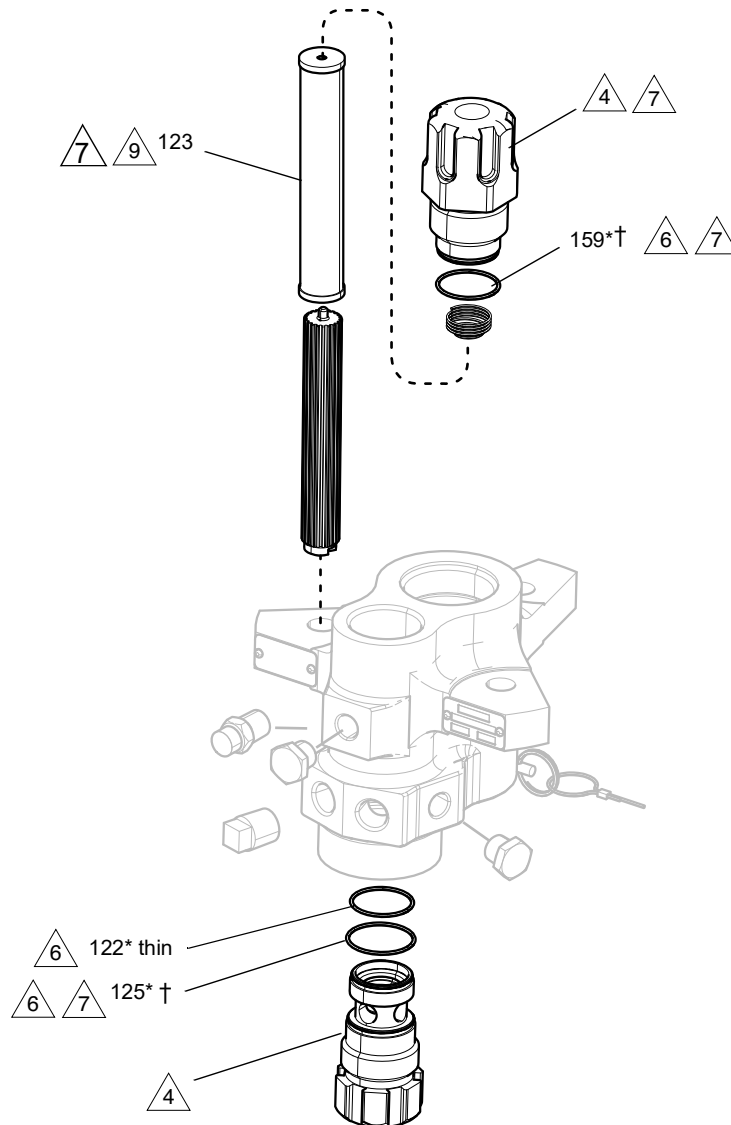


24F975 Filter Cap Conversion Kit

Purchase **24F975 Filter Cap Conversion Kit** to improve sealing of Series A filters. Includes components shown. See manual 406882 for more information.

Benefits:

- Compatible with all sizes.
- Improves sealing
- Ensures filters are installed correctly



All written and visual data contained in this document reflects the latest product information available at the time of publication. Graco reserves the right to make changes at any time without notice.

Original instructions. This manual contains English. MM

Graco Headquarters: Minneapolis

International Offices: Belgium, China, Japan, Korea

GRACO INC. AND SUBSIDIARIES • P.O. BOX 1441 • MINNEAPOLIS MN 55440-1441 • USA
Copyright 2021, Graco Inc. All Graco manufacturing locations are registered to ISO 9001.

www.graco.com
Revision A, January 2022