

Air Valve Service Kit 238853

For Husky™ 205 Air-Operated Diaphragm Pumps

406353B

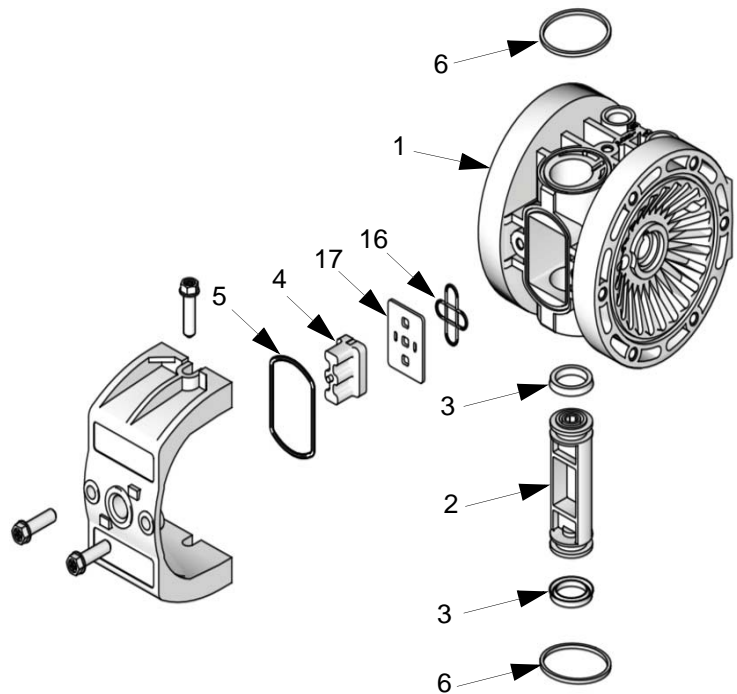
EN



Important Safety Instructions

Read all warnings and instructions in manual 308652.
Save all instructions.

Ref.	Description	Qty.
2	CARRIAGE, valve; includes Ref 3	1
4	VALVE BLOCK (for pump with air-oper- ated air motor)	1
5	GASKET, molded	1
6	O-RING, packing	2
16	SEAL, valve plate	1
17	PLATE, valve	1
- - -	GREASE	1



GRACO INC. AND SUBSIDIARIES • P.O. BOX 1441 • MINNEAPOLIS MN 55440-1441 • USA

Copyright 1996, Graco Inc. All Graco manufacturing locations are registered to ISO 9001.

MM 406353, Revision B, December 2015