

Repair Kit (238286)

406333C

EN

For repairing 5:1 ratio Fire-Ball® pumps. For professional use only.



Important Safety Instructions

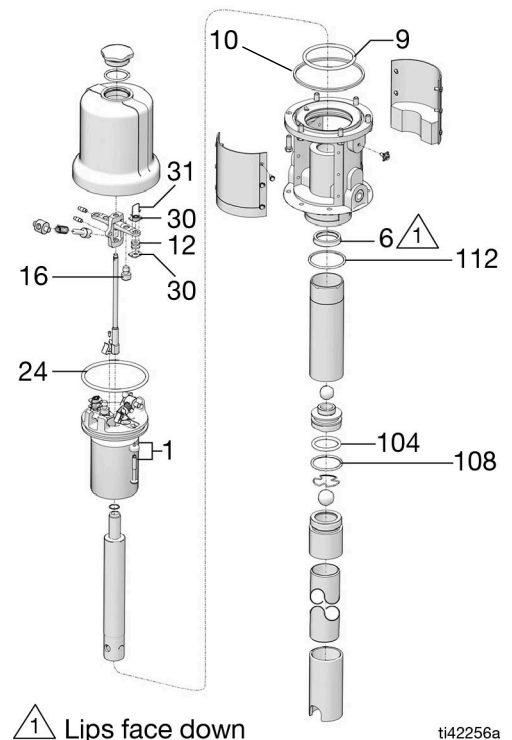
For complete warnings refer to the 5:1 Fire-Ball 300 Pump Instruction manual.

Related Manuals

Manual in English	Description
306518	5:1 Fire-Ball 300 Pump

Parts List

Ref.	Part	Description	Qty.
1	236079	VALVE, poppet	2
6	112561	PACKING, block	1
9	160625	O-RING, buna-N	1
10	160624	O-RING, square, buna-N	1
12	158367	GROMMET, rubber	2
16	170709	VALVE, poppet	2
24	160621	O-RING, nitrile rubber	1
30	160261	NUT, adjusting	4
31	160618	LOCK WIRE, transfer valve	2
104	113423	PACKING, o-ring	1
108	156633	O-RING, buna-N	1
112	156641	O-RING, buna-N	1



Recycling and Disposal

End of Product Life

- At the end of the product's useful life, dismantle and recycle it in a responsible manner. Perform the Pressure Relief Procedure for the system.
- Drain and dispose of fluids according to applicable regulations. Refer to the material manufacturer's Safety Data Sheet.
- Deliver remaining product to a recycling facility.

California Proposition 65

CALIFORNIA RESIDENTS

 **WARNING:** Cancer and reproductive harm – www.P65warnings.ca.gov.

Graco Information

For the latest information about Graco products, visit www.graco.com.

For patent information, see www.graco.com/patents.

TO PLACE AN ORDER, contact your Graco distributor or call to identify the nearest distributor.

Phone: 612-623-6928 or **Toll Free:** 1-800-533-9655, **Fax:** 612-378-3590

*All written and visual data contained in this document reflects the latest product information available at the time of publication.
Graco reserves the right to make changes at any time without notice.*

Original instructions. This manual contains English. MM 406333

Graco Headquarters: Minneapolis

International Offices: Belgium, China, Japan, Korea

GRACO INC. AND SUBSIDIARIES • P.O. BOX 1441 • MINNEAPOLIS MN 55440-1441 • USA
Copyright 2002, Graco Inc. All Graco manufacturing locations are registered to ISO 9001.

www.graco.com
Revision C, October 2022