

### EVO™ HVLP Sprayer




#### Important Safety Instructions

Read all warnings and instructions in this manual, and on the unit, including the power cord, before using the equipment. Be familiar with the controls and the proper usage of the equipment. Save these instructions.


**Problem?  
Need Help?**


**DO NOT RETURN TO STORE,  
USED SPRAYERS CANNOT BE RETURNED**

Our experts are here to help answer any question.  
Available 24 hours a day,  
7 days a week.

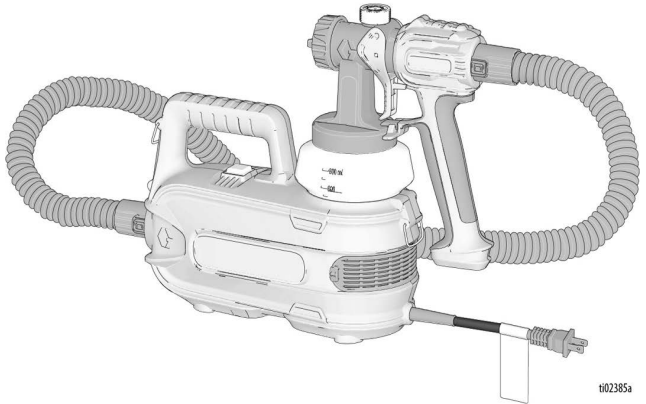
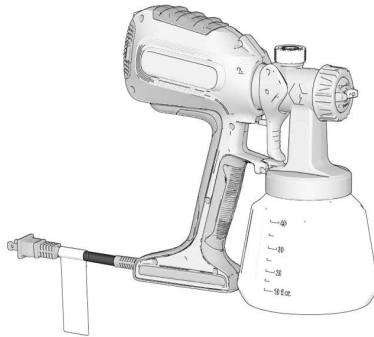
  
**1-888-541-9788**

Scan for more options to contact us





602512a



**QUESTIONS?**  
**888-541-9788**  
[graco.com/HomeownerSupport](http://graco.com/HomeownerSupport)



***For portable spray applications of water-based and oil-based non-flammable architectural paints and coatings only. For Household Use Only. Not approved for use in explosive atmospheres or hazardous (classified) locations.***

**PROVEN QUALITY. LEADING TECHNOLOGY.**

# Before You Spray

## Before You Spray


### Review Warnings for Important Safety Information

Important! Read carefully and practice good safety habits.



Operational Videos  
<http://graco.com/HomeEducationCenter>

### Models

	Model	Name	Voltage
 Intertek 5023549 Certified to CAN/CSA C22.2 No. 68 Conforms to UL 1450	27F400	EVO	120V
	27F401	EVO Plus	120V
	27F402	EVO Max	120V

### Online Resources

Visit Our Website:	<a href="http://graco.com/homeowner">graco.com/homeowner</a>
Operational Videos:	<a href="http://graco.com/homeeducationcenter">graco.com/homeeducationcenter</a>
Manuals:	<a href="http://graco.com/homeownersupport">graco.com/homeownersupport</a>
Parts Online:	<a href="http://graco.com/homeownerparts">graco.com/homeownerparts</a>

### Replacement Kits

Part Order No.	Description	Compatible Models
2008040	KIT, EVO and EVO Plus spray head, 40 oz cup	27F400, 27F401
2008041	Nozzles: 1.0mm, 1.5mm, 2.0mm, 3.0mm	27F400, 27F401, 27F402
	Air Cap: wide, narrow	
2008042	KIT, cup gaskets (large and small), 3 pack	27F400, 27F401, 27F402
	KIT, air filter, 3 pack EVO, 3 pack EVO plus, 3 pack EVO Max	
2008043	KIT, 40 oz cup, strainer, storage lid	27F400, 27F401
2008044	KIT, 27 oz cup, strainer, storage lid	27F402
2008045	KIT, EVO Max spray head, 27 oz cup	27F402

## Important User Information

This sprayer is designed to provide superior spray performance with water-based and oil-based (mineral spirit-type) architectural paints and coatings. This user information is intended to help you understand the types of materials that can be used with your sprayer.

Please read the information on the material container label to determine if it can be used with your sprayer. Ask for a Safety Data Sheet (SDS) from your supplier. The container label and SDS will explain the contents of the material and the specific precautions related to it.

Paints, coatings and clean-up materials generally fit into one of the following **3 basic categories**:



**WATER-BASED:** The container label should indicate that the material can be cleaned up with soap and water. Your sprayer is compatible with this type of material. Your sprayer is **NOT** compatible with harsh cleaners such as chlorine bleach.



**OIL-BASED:** The container label should indicate that the material is COMBUSTIBLE and can be cleaned up with mineral spirits or paint thinner. The SDS must indicate that the flash point of the material is above 100° F. Your sprayer is compatible with this type of material. Use oil-based material outdoors or in a well-ventilated indoor area with a flow of fresh air. See the safety warnings in this manual.



**FLAMMABLE:** This type of material contains flammable solvents such as xylene, toluene, naphtha, MEK, lacquer thinner, acetone, denatured alcohol, and turpentine. The container label should indicate that this material is FLAMMABLE. This type of material is **NOT** compatible with your sprayer and **CANNOT** be used.

### NOTICE




Your sprayer is **NOT** compatible with harsh cleaners such as chlorine bleach. Using these cleaners will cause damage to the sprayer.





## Contents

<b>Before You Spray</b> .....	<b>2</b>
<b>Review Warnings for Important Safety Information</b> .....	<b>2</b>
<b>Models</b> .....	<b>2</b>
<b>Online Resources</b> .....	<b>2</b>
<b>Replacement Kits</b> .....	<b>2</b>
<b>Important User Information</b> .....	<b>3</b>
<b>Contents</b> .....	<b>4</b>
<b>Safety Symbols</b> .....	<b>5</b>
<b>General Warnings</b> .....	<b>6</b>
<b>Know Your Sprayer</b> .....	<b>8</b>
EVO and EVO Plus .....	8
EVO Max .....	9
<b>Know Your Controls</b> .....	<b>10</b>
<b>Setup</b> .....	<b>11</b>
EVO and EVO Plus .....	11
EVO Max .....	12
<b>Startup</b> .....	<b>13</b>
<b>Spraying</b> .....	<b>14</b>
Air Cap Orientation .....	14
Spray Nozzle .....	14
Change the Nozzle .....	15
Spray Pattern Quality .....	16
Spray Angle .....	16
Aim the Sprayer .....	16
Triggering Timing .....	17
Clear the Nozzle .....	17
Cup Refills .....	17
Pause in Spraying .....	18
<b>Cleanup</b> .....	<b>19</b>
Fluid Compatibility .....	19
Oil or water-based materials .....	19
Clean the Sprayer .....	19
Clean the Spray Head .....	20
Clean Nozzle and Air Cap .....	21
<b>Repair</b> .....	<b>22</b>
Gasket Replacement .....	22
Replace the Outer Gasket .....	22
Replace the Inner Gasket .....	23
Parts Repair and Replacement .....	23
<b>Storage</b> .....	<b>24</b>
<b>Recycling and Disposal</b> .....	<b>24</b>
End of Product Life .....	24
<b>Troubleshooting</b> .....	<b>25</b>
<b>Technical Specifications</b> .....	<b>27</b>
<b>California Proposition 65</b> .....	<b>27</b>
<b>Graco Limited Warranty</b> .....	<b>28</b>
<b>Graco Information</b> .....	<b>29</b>

## Safety Symbols

The following safety symbols appear throughout this manual and on warning labels. Read the table below to understand what each symbol means.

Symbol	Meaning
	Electric Shock Hazard
	Equipment Misuse Hazard
	Fire and Explosion Hazard
	Toxic Fluid or Fumes Hazard
	Do Not Use Flammable Materials
	Eliminate Ignition Sources

Symbol	Meaning
	Ground Equipment
	Read Manual
	Ventilate Work Area
	Wear Personal Protective Equipment



### Safety Alert Symbol

This symbol indicates: Attention! Become Alert! Look for this symbol throughout the manual to indicate important safety messages.

# General Warnings

## General Warnings

The following warnings apply throughout this manual. Read, understand, and follow the warnings before using this equipment. Failure to follow these warnings can result in serious injury.

### **WARNING**



#### **FIRE AND EXPLOSION HAZARD**

Flammable fumes, such as solvent and paint fumes, in work area can ignite or explode. To help prevent fire and explosion:



- Do not spray or clean with materials having flash points lower than 100°F (38°C). Use only non-flammable or water-based materials, or non-flammable paint thinners. For complete information about your material, request the Safety Data Sheets (SDSs) from the material distributor or retailer.
- Do not spray combustible materials near an open flame or sources of ignition such as cigarettes, motors, and electrical equipment.
- Verify that all containers and collection systems are grounded to prevent static discharge. Do not use pail liners unless they are anti-static or conductive.
- **Stop operation immediately** if static sparking occurs or you feel a shock. Do not use equipment until you identify and correct the problem.
- Do not use a paint or a solvent containing halogenated hydrocarbons.
- Keep spray area well-ventilated. Keep a good supply of fresh air moving through the area.
- Sprayer generates sparks. Keep pump assembly in a well-ventilated when spraying, flushing, cleaning, or servicing.
- Do not smoke in the spray area or spray where sparks or flame is present.
- Do not operate light switches, engines, or similar spark producing products in the spray area.
- Keep area clean and free of paint or solvent containers, rags, and other flammable materials.
- Know the contents of the paints and solvents being sprayed. Read all Safety Data Sheets (SDSs) and container labels provided with the paints and solvents. Follow the paint and solvent manufacturer's safety instructions.
- Keep a working fire extinguisher in the work area.



#### **ELECTRIC SHOCK HAZARD**

Improper setup, or usage of the system can cause electric shock.

- Turn off and disconnect power cord before servicing equipment.
- Do not expose to rain. Store indoors.

## **WARNING**



### **EQUIPMENT MISUSE HAZARD**

Misuse can cause death or serious injury.

- Always wear appropriate gloves, eye protection, and a respirator or mask when painting.
- Do not operate or spray near children. Keep children away from equipment at all times.
- Do not overreach or stand on an unstable support. Keep effective footing and balance at all times.
- Stay alert and watch what you are doing.
- Do not operate the unit when fatigued or under the influence of drugs or alcohol.
- Do not use the hose as a strength member to pull or lift the equipment.
- Do not alter or modify equipment. Alterations or modifications may void agency approvals and create safety hazards.
- Make sure all equipment is rated and approved for the environment in which you are using it.



### **TOXIC FLUID OR FUMES HAZARD**

Toxic fluids or fumes can cause serious injury or death if splashed in the eyes or on skin, inhaled, or swallowed.

- Read Safety Data Sheets (SDSs) to know the specific hazards of the fluids you are using.
- Store hazardous fluid in approved containers, and dispose of it according to applicable guidelines.



### **PERSONAL PROTECTIVE EQUIPMENT**

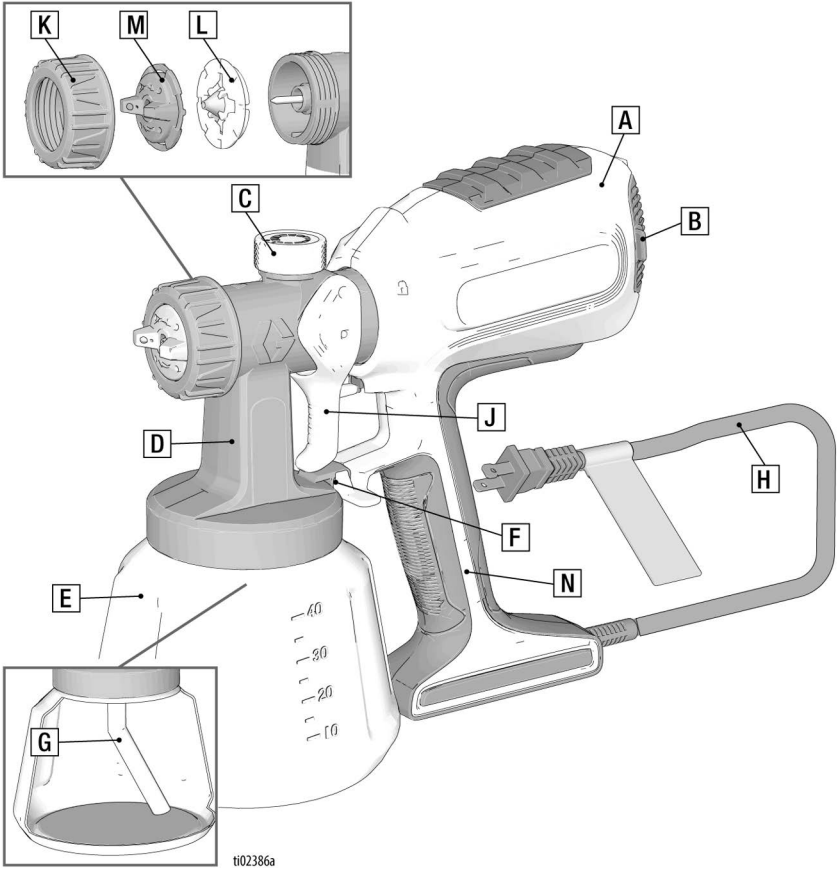
Wear appropriate protective equipment when in the work area to help prevent serious injury, including eye injury, hearing loss, inhalation of toxic fumes, and burns. Protective equipment includes but is not limited to:

- Protective eyewear, and hearing protection.
- Respirators, protective clothing, and gloves as recommended by the fluid and solvent manufacturer.

# Know Your Sprayer

## Know Your Sprayer

### EVO and EVO Plus



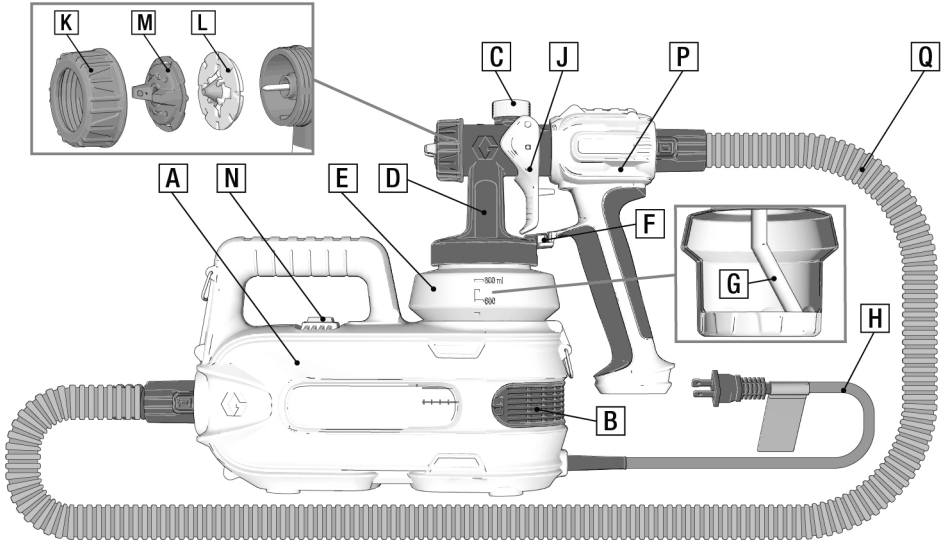
ti02386a

A	Turbine
B	Vent Cover
C	Flow Control Knob
D	Spray Head
E	Cup
F	Lock

G	Suction Tube
H	Power Cord
J	Trigger
K	Union Nut
L	Nozzle
M	Air Cap



## EVO Max

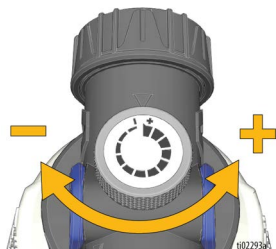


ti02387a

A	Turbine
B	Vent Cover
C	Flow Control Knob
D	Spray Head
E	Max Cup
F	Lock
G	Suction Tube
H	Power Cord

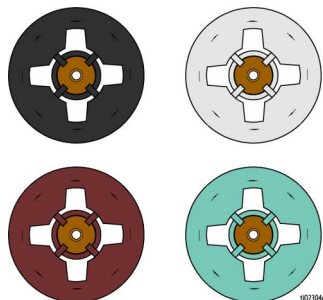
J	Trigger
K	Union Nut
L	Nozzle
M	Air Cap
N	Power Switch
P	Handle
Q	Hose

## Know Your Controls



### Flow Control

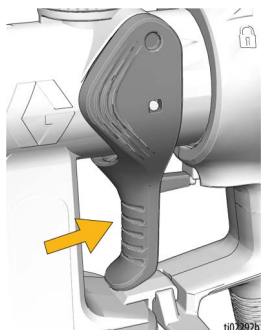
The Flow Control Knob allows you to adjust the amount of fluid that is coming from your sprayer.



### Nozzles

Different size Nozzles are key to spraying different materials effectively. Changing to the smaller Nozzles while using thinner materials means that you can achieve a good spray pattern without heavily restricting the flow.

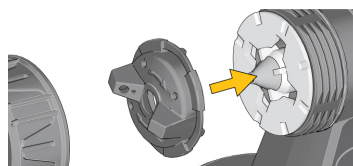
See, **Spray Nozzle**, page 14.



### Trigger

The EVO and EVO Plus have a two-stage trigger. The first stage engages the turbine and second stage allows for the transportation of the material. When spraying make sure to fully squeeze the trigger.

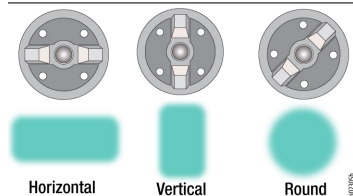
The EVO Max has an ON/OFF switch. When the switch is ON the turbine is ON. To spray, squeeze the trigger.



### Air Cap

The Air Cap is installed over the Nozzle and is the key to creating the spray pattern. All models come with the wide air cap installed. The narrow Air Cap is included with the EVO Max.

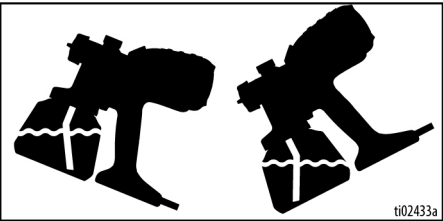
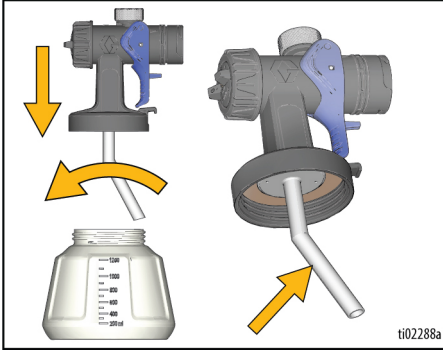
The Air Cap produces three fan patterns: vertical, horizontal, and round.



# Setup

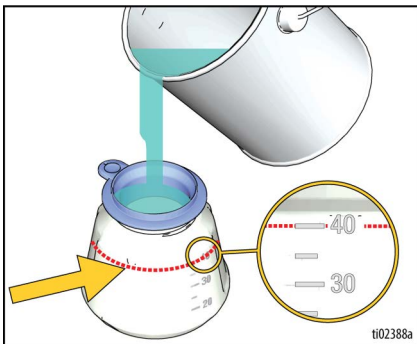
## EVO and EVO Plus

1. Unscrew Cup from Spray Head. Make sure the Suction Tube is installed.



**NOTE:** For spraying upwards, place the end of the Suction Tube pointing backward. For spraying downwards, place the end of the Suction Tube pointing forward.

2. Place the included strainer on the Cup. Pour paint through the strainer until paint is level with the top hash mark.

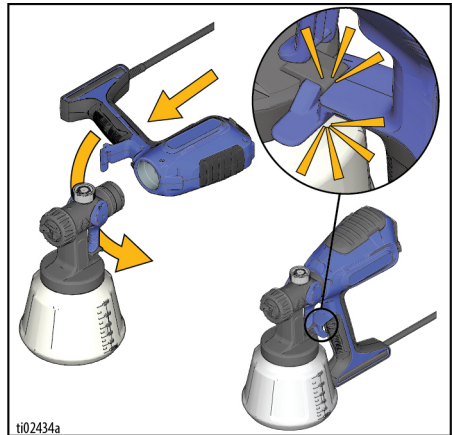


**NOTE:** If the paint stops draining, but the Cup is not full, use a stir stick to scrape the captured paint at the bottom of the strainer until the paint resumes draining.

3. Firmly tighten the Cup to the Spray Head.

**NOTE:** For easy install, place the Cup on a level surface, then screw the Spray Head onto the Cup.

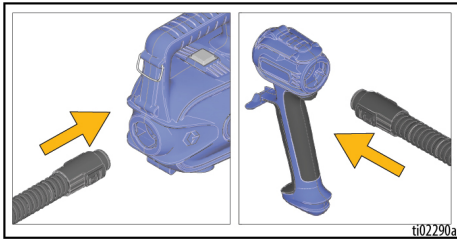
4. Attach the Spray Head to the Turbine. Place the Turbine at a 90 degree angle to the Spray Head. Connect the Spray Head and Turbine, then turn clockwise until it clicks into place. The Turbine should be in line with the Spray Head.



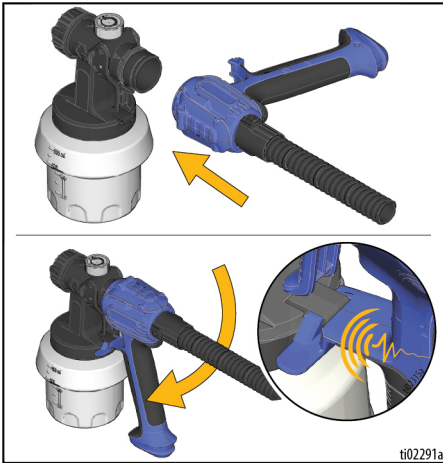
# Setup

## EVO Max

1. Follow steps 1-3 in setup **EVO and EVO Plus**, page 11 to prepare the Spray Head.
2. Attach the Hose to the Turbine and the Handle. The Hose will click into place when installed correctly.



3. Attach the Spray Head to the Handle. Turn the handle 90 degrees and attach it to the Spray Head. Rotate the handle 90 degrees until it clicks into place. The Handle should be in line with the Spray Head.

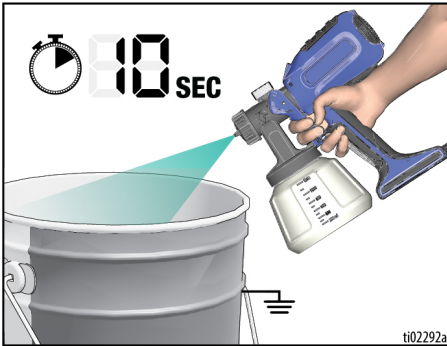


# Startup

1. Plug power cord into outlet.

**NOTE:** The sprayer has a polarized power cord plug (one blade is wider than the other). This plug will fit in a polarized outlet only one way. If the plug does not fit fully in the outlet, reverse the plug. If it still does not fit, contact a qualified electrician to install the proper outlet. Do not change the plug in any way.

2. Point the sprayer into a waste pail and squeeze the trigger for five to ten seconds. Material will begin to spray. If the sprayer does not spray after five to ten seconds, stop and check that the Cup is tightly secured to the Spray Head. If the sprayer still does not spray, repeat **Setup**, page 11.



**You are now ready to spray!**

# Spraying

## Spraying



Use only water-based or oil-based (mineral spirit-type) materials with a flash point greater than 100° F (38° C). Do not use materials which state “FLAMMABLE” on the packaging. For more information about your material, request a Safety Data Sheet (SDS) from distributor or retailer.

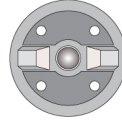
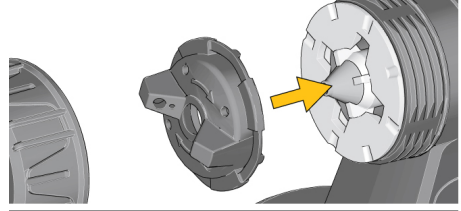
When spraying oil-based material, use outdoors or in a well-ventilated indoor area with a flow of fresh air.

Keep spray area well-ventilated. Keep a good supply of fresh air moving through the area.

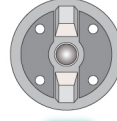
1. Point the sprayer at a piece of scrap material and squeeze the trigger to test the spray pattern. Adjust the following to achieve the desired spray pattern:
  - a. Flow: Turn Flow Control Knob to reduce the amount of material coming out from the sprayer.
  - b. Distance from surface.
  - c. Hand speed.
  - d. Air Cap orientation, see **Air Cap Orientation**, page 14.

**NOTE:** If spraying is difficult, material may need to be thinned. If material needs to be thinned, thin per manufacturers specifications with a compatible material.

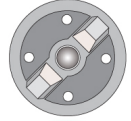
## Air Cap Orientation



Horizontal



Vertical



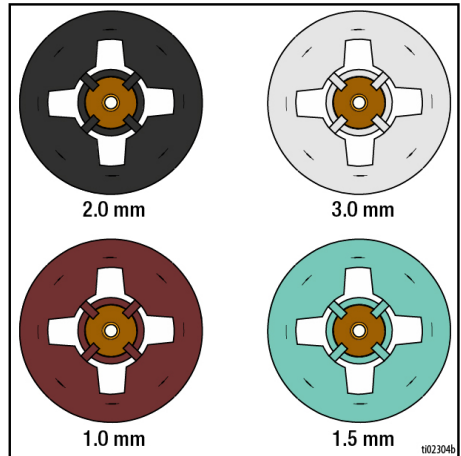
Round

002305b

## Spray Nozzle

Recommended Nozzle size for the material:

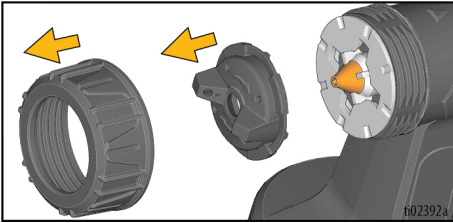
- **Paint:** 2 (black) or 3 mm (white)
- **Stain:** 1 (red) or 1.5 mm (teal)



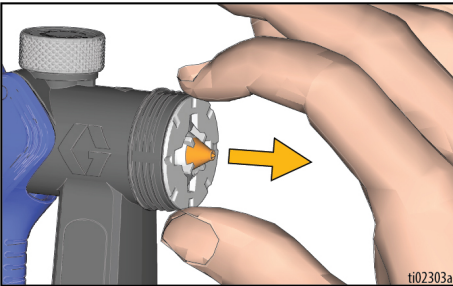
## Change the Nozzle

The sprayer is shipped with the 3 mm Nozzle installed. To change to a smaller Nozzle, follow the steps below.

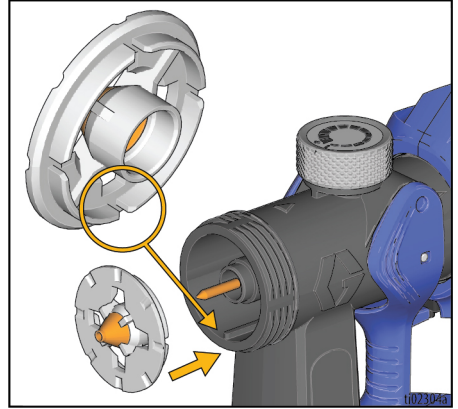
1. Unplug the sprayer to prevent accidental triggering.
2. Unscrew the Union Nut and remove the Air Cap.



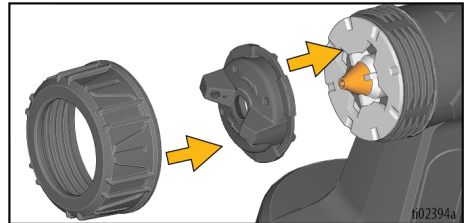
3. Remove the Nozzle by pulling on the outside edge of the Nozzle face.



4. Install replacement Nozzle by aligning the notch in the Nozzle with the ridge on the Spray Head.



5. Place Air Cap on top of the Nozzle and reinstall the Union Nut. Hand tighten the Union Nut.



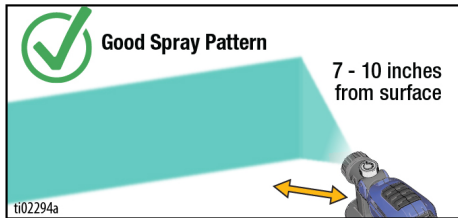
6. Before resuming spraying, spray a test sample onto a piece of scrap of material in order to ensure the desired pattern is achieved.

# Spraying

## Spray Pattern Quality

A good spray pattern is evenly distributed without voids or runs. Adjust sprayer Flow Control, hand speed, and distance from the wall to get a good spray pattern.

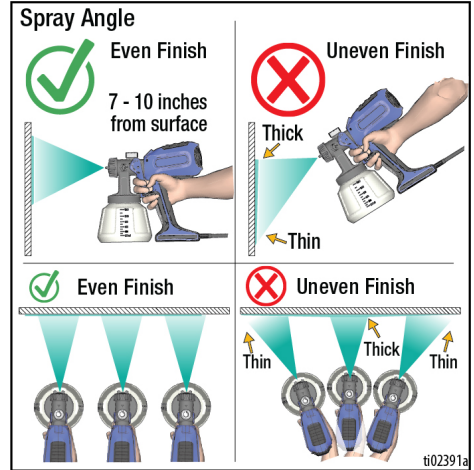
If difficulty spraying persists, material may need to be thinned. If material needs to be thinned, thin based on manufacturing specifications with compatible material.



## Spray Angle

Use a piece of scrap cardboard to practice these basic spraying techniques before you begin spraying the surface.

- Hold sprayer 7-10 inches (18-25 cm) from surface and aim straight at surface. Tilting the sprayer to direct the spray angle causes an uneven finish.

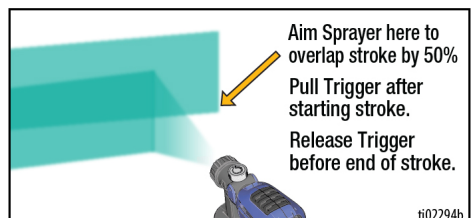


- Flex wrist to keep sprayer pointed straight. Fanning sprayer to direct spray at angle causes uneven finish.

**NOTE:** How fast you move the sprayer will affect spray application. If material is pulsating, you are moving too fast. If material drips, you are moving too slow. See **Troubleshooting**, page 25.

## Aim the Sprayer

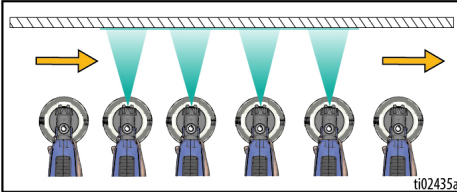
Aim the sprayer at the bottom edge of the previous stroke, overlapping each stroke by 50%.





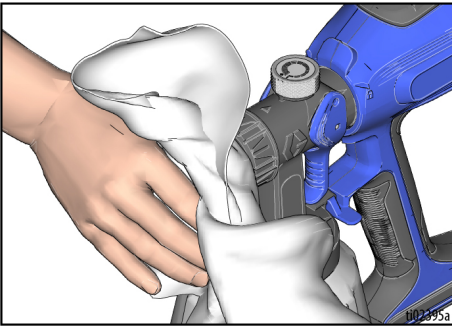
## Triggering Timing

Pull Trigger after starting stroke. Release Trigger before end of stroke. Sprayer must be moving when Trigger is pulled and released.

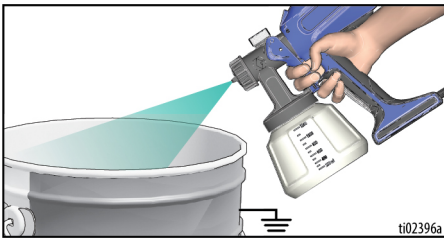


## Clear the Nozzle

After spraying for long periods of time, dried paint will start to buildup on the Nozzle. To insure best performance, wipe the front of your sprayer with a wet rag to remove dried paint.



After removing buildup, spray into waste pail for a few seconds to ensure good flow and continue spraying.



## Cup Refills



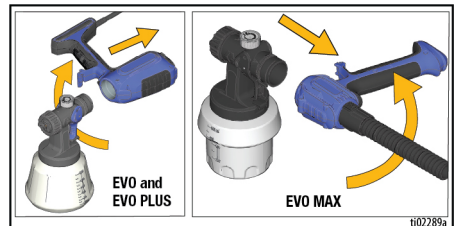
**Use only water-based or oil-based (mineral spirit-type) materials with a flash point greater than 100° F (38° C).**

Do not use materials which state “FLAMMABLE” on the packaging. For more information about your material, request a Safety Data Sheet (SDS) from distributor or retailer.

When spraying oil-based material, use outdoors or in a well-ventilated indoor area with a flow of fresh air.

**Keep spray area well-ventilated.** Keep a good supply of fresh air moving through the area.

1. Unplug the sprayer to prevent accidental triggering while disconnecting the Spray Head and Turbine.
2. Disconnect the Spray Head from the Turbine and Handle.
3. For the and Plus, to disconnect the Spray Head, push down on the back tab and rotate the Turbine counterclockwise. Pull the Turbine straight back from the Spray Head and set aside.
4. For the Max, to disconnect the handle from the Spray Head, push down on the lock tab and rotate the handle counterclockwise. Pull the handle straight back from the Spray Head and set aside.



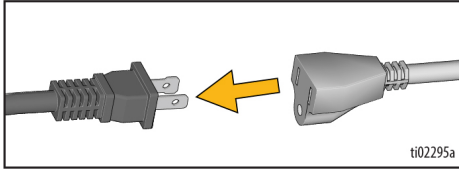
5. Refill the Cup following, **Setup**, page 11.

# Spraying

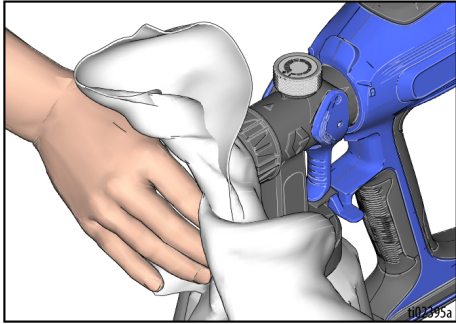
## Pause in Spraying

Paint will dry quickly and cause clogs in the sprayer. Follow these steps whenever you pause spraying for five minutes to two hours.

1. Unplug Power Cord.



2. Wipe front of sprayer with a wet rag before resuming spraying.



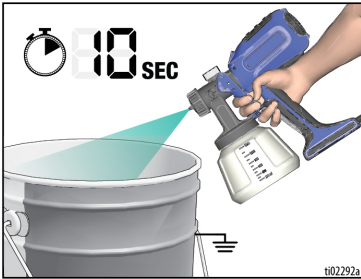
# Cleanup



Use only **water-based** or **oil-based (mineral spirit-type) materials with flash point greater than 100° F (38° C)**. Do not use materials which state “**FLAMMABLE**” on the packaging. For more information about your material, request a Safety Data Sheet (SDS) from distributor or retailer.

**Clean in a well-ventilated area.** Keep a good supply of fresh air moving through the area.

To avoid serious injury or damage to equipment, do not expose the sprayer electronics to cleaning fluids. Keep sprayer **at least 10 in. (25 cm)** above the rim of the container when cleaning.



## Fluid Compatibility

### Oil or water-based materials

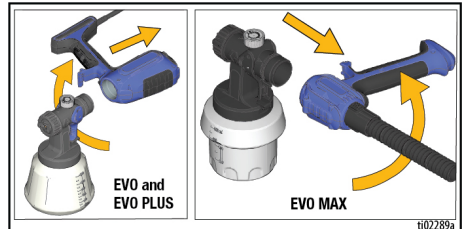
If spraying **water-based** materials, use water for cleanup. If spraying **oil-based** materials, use non-flammable mineral spirits for cleanup.

- Switching between **water-based** and **oil-based** materials can cause clogging issues in the sprayer. Always clean sprayer thoroughly with appropriate cleaning fluid.
- Flush the sprayer with non-flammable mineral spirits prior to using **oil-based** materials.

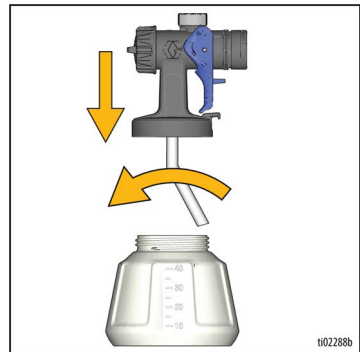
## Clean the Sprayer

Cleaning your sprayer properly and after every spray job is of the utmost importance! Proper care and maintenance will help your paint sprayer last and work for you trouble free.

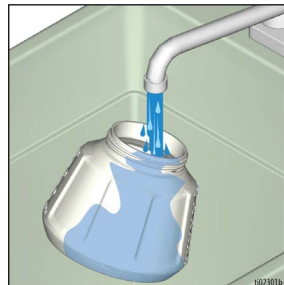
1. Unplug the Power Cord.
2. Remove the Turbine (Handle if using the EVO Max) from the Spray Head.



3. Unscrew the Cup from the Spray Head.

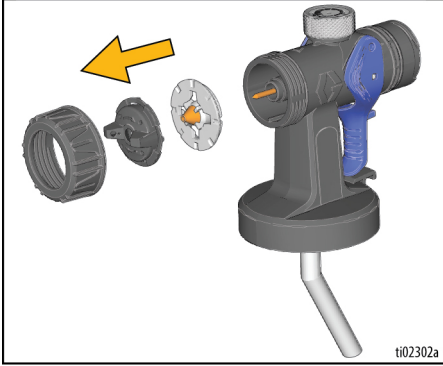


4. Pour excess material back into the can. Clean the cup with warm water.

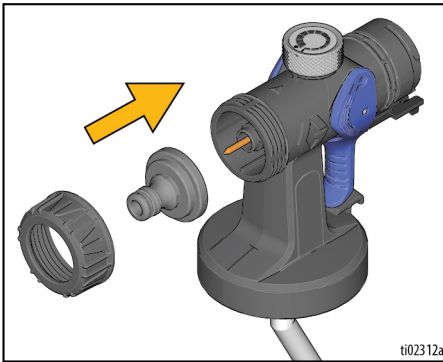


## Clean the Spray Head

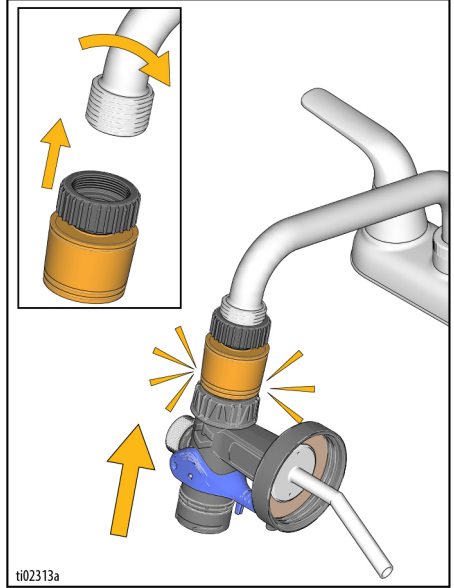
1. Unscrew the Union Nut from the Spray Head. Remove the Air Cap and Nozzle and set aside.



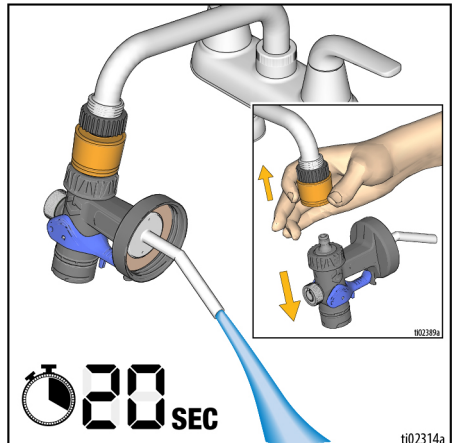
2. Attach the Power Flush™ adapter to the Spray Head. Screw the Union Nut back onto the Spray Head.



3. Attach the Power Flush adapter to a faucet or garden hose. Align the Spray Head with the provided Power Flush adapter and push until it clicks into place.

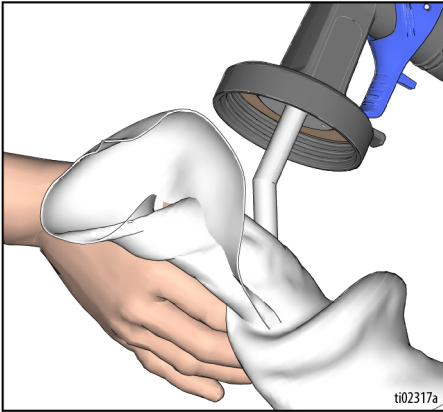


4. Once installed, turn on the water and run for 20 seconds or until the water runs clear.



 **20** SEC

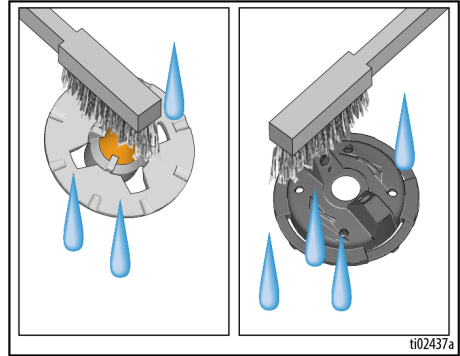
5. Turn off the water and detach the Spray Head from the Power Flush adapter by pulling on the collar of the adapter.
6. Using a wet rag, wipe down the Suction Tube.



7. Store sprayer with Spray Head removed from Cup to ensure all parts are dry.

## Clean Nozzle and Air Cap

1. Using the included cleaning brush, scrub the Nozzles and Air Cap using warm water until they are free of material.
2. If the Air Cap is covered with overspray, use the included cleaning brush to remove the unwanted material.



### NOTICE

Failure to clean the Nozzle and Air Cap after each use may cause operational problems.

## Repair

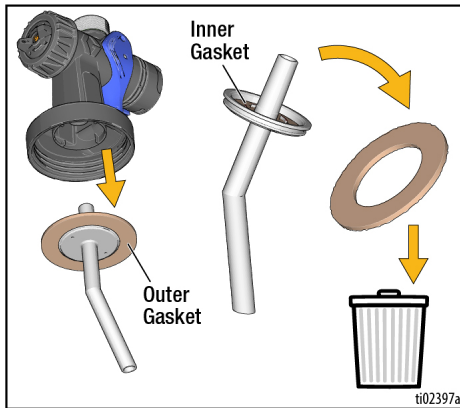
### Gasket Replacement

If the gaskets become damaged the Cup will not be able to seal properly and the sprayer will not spray.

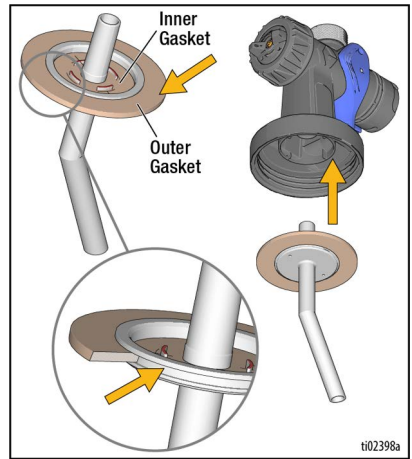
Each sprayer is provided with an additional outer and inner gasket for repair purposes.

#### Replace the Outer Gasket

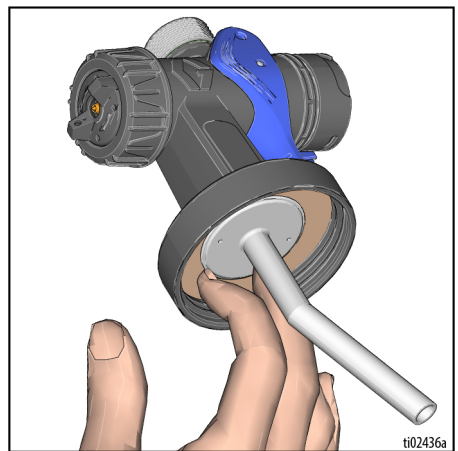
1. Unplug Power Cord.
2. Starting with a clean Spray Head, see **Clean the Sprayer**, page 19. Remove the Suction Tube from the Spray Head.
3. Remove the damaged outer gasket and dispose of properly.



4. Place the new outer gasket over the top of the Suction Tube so that it is centered. Push the inner edge of the gasket into the channel. Roll the gasket so that it is fully seated in the channel.



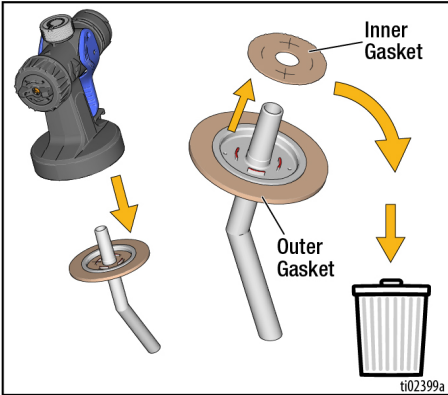
5. Insert the Suction Tube back into the Spray Head. Once the Suction Tube is back in place. Gently push the gasket back into place with a finger.



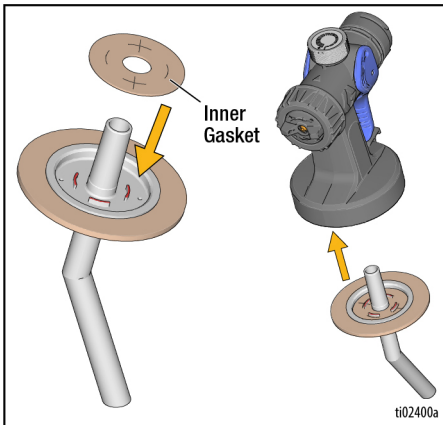
6. Follow **Setup**, page 11 and begin spraying.

## Replace the Inner Gasket

1. Unplug Power Cord.
2. Starting with a clean Spray Head, see **Clean the Sprayer**, page 19. Remove the Suction Tube from the Sprayer Head.
3. Remove the damaged inner gasket and dispose of properly.



4. Slide the new inner gasket over the top of the Suction Tube and push down until it is seated in the pocket.



5. Follow steps 3-4 in **Replace the Outer Gasket**, page 22.

## Parts Repair and Replacement

**There are no serviceable parts in the sprayer. The user should not repair the sprayer.**

This sprayer is a double-insulated product. Two systems of insulation are provided instead of grounding. No grounding means is provided on a double-insulated product, nor should a means for grounding be added to the sprayer.

A double-insulated product is marked with the words "DOUBLE INSULATION" or "DOBLE INSULATED." A double insulation symbol is also marked on the sprayer.



## Storage

### NOTICE

Failure to store the sprayer properly will result in operational problems the next time you spray.

- Do not store the sprayer full of water.
- Do not allow water to freeze in sprayer.
- Store sprayer indoors in a cool, dry location.
- Never store sprayer with material in the sprayer or Cup.

1. Clean the sprayer and Cup assembly. See **Cleanup**, page 19.
2. When storing the sprayer, leave the Spray Head detached from the Cup to allow parts to dry.

## Recycling and Disposal

### End of Product Life

At the end of the product's useful life, dismantle and recycle it in a responsible manner.

- Drain and dispose of fluids according to applicable regulations. Refer to the material manufacturer's Safety Data Sheet.

- Remove motors and other electronic components. Recycle according to applicable regulations.
- Do not dispose of electronic components with household or

commercial waste.



- Deliver remaining product to a recycling facility.



## Troubleshooting





**QUESTIONS?**  
**888-541-9788**  
[graco.com/HomeownerSupport](http://graco.com/HomeownerSupport)



Check everything in this Troubleshooting Table before you bring the sprayer to an authorized service center.

### Sprayer Diagnostics

Problem	Cause	Solution
Sprayer makes sound but no material is sprayed when Trigger is pulled	Nozzle is clogged	See <b>Clear the Nozzle</b> , page 17.
	Suction Tube is clogged	Remove the Cup from the Spray Head and follow <b>Cleanup</b> , page 19.
	Cup is not tight	Make certain that the Cup is tight. If the Cup is not tight it can not build pressure needed to spray.
	No or low material in the Cup	Refill cup. See, <b>Cup Refills</b> , page 17.
	Cup gaskets are damaged	See, <b>Cleanup</b> , page 19.
	Material is too thick	Thin material with compatible material per manufacturers specifications.
Material Leaking	Material buildup on Air Cap and Nozzle	<b>Clear the Nozzle</b> , page 17.
	Cup is not tight	Make certain that the Cup is tight. If the Cup is not tight, paint may leak into the threads.
	Nozzle loose	Make certain that the Union Nut is tight. If the Union Nut is not tight, paint will leak behind the Nozzle.
Spray pattern has dripping/sagging: 	Operator is moving too slowly while spraying	Move sprayer faster when spraying.
	Sprayer is too close to target surface	Move sprayer away from surface. See <b>Spraying</b> , page 14.
	Holding Trigger while changing spray direction	Release Trigger when changing directions. See <b>Spraying</b> , page 14.
	Material Flow is set too high	Reduce flow until the desired pattern is achieved or reduce the Nozzle size to achieve desired pattern. See <b>Spraying</b> , page 14.
Spray pattern is pulsating: 	Material in Cup is running out	See, <b>Cup Refills</b> , page 17.
	Material is too thick	Thin material with compatible material per manufacturers specifications.

# Troubleshooting

<b>Problem</b>	<b>Cause</b>	<b>Solution</b>
Spray pattern is very light and splotchy	Operator is moving too fast	Slow speed of movement.
	Nozzle is clogged	Increase the flow using the Flow Control Knob.
	Material flow setting too low	Increase the Nozzle size, see <b>Spray Nozzle</b> , page 14.
	Material is too thick	Thin material with compatible material per manufacturers specifications.


## Technical Specifications

EVO HVLP Sprayer		
	U.S.	Metric
Weight		
EVO	2.7 lb. (18 in. cord)	1.2 kg (45 cm cord)
EVO Plus	3.2 lb. (18 in. cord)	1.4 kg (45 cm cord)
EVO Max	5.3 lb. (18 in. cord)	2.4 kg (45 cm cord)
Dimensions:		
Length EVO	11.8 in.	30 cm
Length EVO Plus	12.0 in.	30.4 cm
Length EVO Max	93.9 in.	238.5 cm
Width EVO/EVO Plus	6.1 in.	15.5 cm
Width EVO Max	5.8 in.	14.7 cm
Height EVO/EVO Plus	11 in.	27.9 cm
Height EVO Max	13.2 in.	33.5 cm
Storage Temperature Range ❖	32° to 113° F	0° to 45° C
Operating Temperature Range ✓	40° to 90° F	4° to 32° C
Storage Humidity Range	0% to 95% relative humidity, non-condensing	
Maximum Nozzle Size	0.039 in.	3.0 mm
Wetted materials on all models:	Brass, polypropylene, nylon, acetal, foamed rubber	

- ❖ Damage to plastic parts may result if impact occurs in low temperature conditions.
- ✓ Changes in paint viscosity at very low or very high temperatures can affect sprayer performance.

## California Proposition 65

### CALIFORNIA RESIDENTS

 **WARNING:** Cancer and reproductive harm –  
[www.P65warnings.ca.gov](http://www.P65warnings.ca.gov).

# Graco Limited Warranty

## Graco Limited Warranty

Graco warrants to the original purchaser that this product will be free from defects in material and workmanship for one (1) year from the date of purchase when operated and maintained in accordance with Graco's written recommendations and instructions. This product is designed and intended for personal, non-income producing, household purposes only. This warranty is void if the product is used for any other purposes, including but not limited to commercial, institutional, industrial, agricultural, rental or income producing purposes. This warranty does not cover general wear and tear or any malfunction, damage or wear caused by misapplication, abrasion, corrosion, inadequate or improper maintenance, abuse, negligence, misuse, accident, tampering, substitution of non-Graco component parts, or alterations, service or repairs by anyone other than a Graco authorized service center, or any use, maintenance or repairs not specifically described in Graco's written recommendations and instructions. In addition, this warranty specifically excludes general wear and tear of the pump, valves, needle assembly and spray tips.

This warranty is conditioned upon the prepaid return of the product claimed to be defective and proof of purchase to a Graco authorized service center for verification of the claimed defect. To find a Graco authorized service center, please call 1-888-541-9788 or visit us online at [www.graco.com](http://www.graco.com). If the claimed defect is verified, Graco will repair or replace the product free of charge. The product will be returned to the original purchaser transportation prepaid. If inspection of the product does not disclose any defect in material or workmanship, repairs will be made at a reasonable charge to you, which charges may include the costs of parts, labor and transportation. Repair or replacement of the product under this warranty will not interrupt or extend the warranty period or create a new warranty period.

**ANY IMPLIED WARRANTY OF MERCHANTABILITY OR FITNESS FOR A PARTICULAR PURPOSES IS LIMITED TO ONE (1) YEAR FROM THE DATE OF PURCHASE. SOME STATES AND PROVINCES DO NOT ALLOW LIMITATIONS ON HOW LONG AN IMPLIED WARRANTY LASTS, SO THE ABOVE LIMITATION MAY NOT APPLY TO YOU.**

To the extent permitted by law, Graco's sole obligation and buyer's sole remedy for any breach of warranty shall be as set forth above. **IN NO EVENT WILL GRACO BE LIABLE FOR ANY INDIRECT, INCIDENTAL, SPECIAL OR CONSEQUENTIAL DAMAGES RESULTING FROM THE SALE OR USE OF THIS PRODUCT. SOME STATES AND PROVINCES DO NOT ALLOW THE EXCLUSION OR LIMITATION OF INCIDENTAL OR CONSEQUENTIAL DAMAGES, SO THE ABOVE LIMITATION OR EXCLUSION MAY NOT APPLY TO YOU.**

**THIS WARRANTY GIVES YOU SPECIFIC LEGAL RIGHTS, AND YOU MAY ALSO HAVE OTHER RIGHTS WHICH VARY FROM STATE TO STATE OR PROVINCE TO PROVINCE.**

### **FOR GRACO CANADA CUSTOMERS**

The Parties acknowledge that they have required that the present document, as well as all documents, notices and legal proceedings entered into, given or instituted pursuant hereto or relating directly or indirectly hereto, be drawn up in English. Les parties reconnaissent avoir convenu que la rédaction du présente document sera en Anglais, ainsi que tous documents, avis et procédures judiciaires exécutés, donnés ou intentés, à la suite de ou en rapport, directement ou indirectement, avec les procédures concernées.

## **Graco Information**

For the latest information about Graco products, visit [www.graco.com](http://www.graco.com).

For patent information, see [www.graco.com/patents](http://www.graco.com/patents).

**TO PLACE AN ORDER**, contact your Graco distributor or call 1-888-541-9788 to identify the nearest distributor.

*All written and visual data contained in this document reflects the latest product information available at the time of publication. Graco reserves the right to make changes at any time without notice.*

Original instructions. This manual contains English. MM 3B0283

**Graco Headquarters:** Minneapolis

**International Offices:** Belgium, China, Japan, Korea

**GRACO INC. AND SUBSIDIARIES • P.O. BOX 1441 • MINNEAPOLIS MN 55440-1441 • USA**

**Copyright 2024, Graco Inc. All Graco manufacturing locations are registered to ISO 9001.**

[www.graco.com](http://www.graco.com)

Revision E, October 2024