

Electric Airless Sprayers

3B0070C

EN

For portable airless spraying of architectural paints and coatings. For professional use only. Not approved for use in explosive atmospheres or hazardous (classified) locations.

Models: 695 XT, 795 XT, 1095 XT, Mark IV XT, Mark V XT, Mark VII XT

3300 psi (228 bar, 22.8 MPa) Maximum Working Pressure

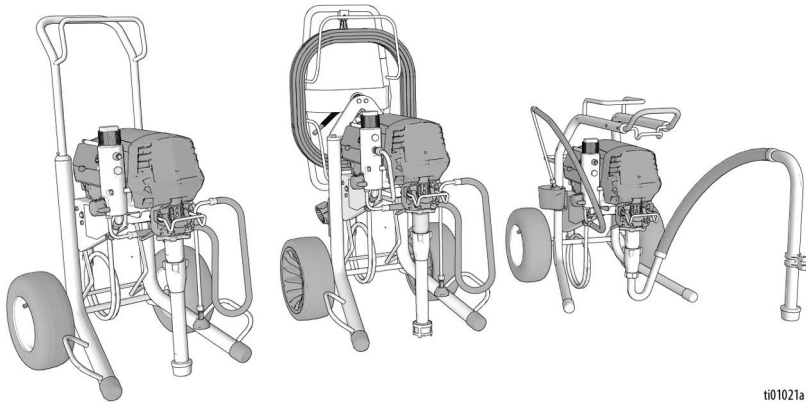
See pages 4-6 for model information, including approvals



Important Safety Instructions

Read all warnings and instructions in this manual, in related manuals, and on the equipment before using the equipment. Be familiar with the controls and the proper usage of the equipment. Save these instructions.

Related Manuals	Description
3A6285	Gun (Contractor PC)
311254	Flex Plus™ Spray Gun
308491	Heavy-Duty Texture Spray Gun
3A9391	Pump
3A9347	XT QuickReel™



t101021a



*Use only genuine Graco replacement parts.
The use of non-Graco replacement parts may void warranty.*

Contents

Translated Manuals	3
Models	4
Safety Symbols	7
General Warnings	8
Component Identification	12
Standard Models	12
Pro-Contractor Models	13
LoBoy Models	14
Controls and Display	15
Grounding	16
Extension Cords	16
Pails	16
Pressure Relief Procedure	17
Setup	19
Startup	22
Operation	24
Spray Tip Installation	24
Performance Modes	24
Amp Switch	25
Spray	25
Clear Spray Tip Clog	26
Cleanup	26
Digital Display	29
Operation Main Menu	29
Selecting Performance Modes	30
TurboClean	30
Watchdog	31
Stored Data Display	31
Knob Calibration	32
Transducer Calibration	33
BlueLink [®] App	34
Replacing BlueLink Battery	35
Maintenance	36
Troubleshooting	37
Repair	42
Parts	46
Wiring Diagrams	64
Technical Specifications	67
California Proposition 65	69
Graco Standard Warranty	70
Graco Information	71

Translated Manuals

Digital versions of translated manuals for this product can be found online at www.graco.com, or by scanning the QR code listed under Link to Languages below. Available translations and their respective Graco manual numbers are listed here for reference.

Bulgarian	3B0080	Korean	3B0092
Chinese	3B0081	Latvian	3B0093
Croatian	3B0082	Lithuanian	3B0094
Czech	3B0083	Norwegian	3B0095
Danish	3B0084	Polish	3B0096
Dutch	3B0085	Portuguese	3B0097
English	3B0070	Romanian	3B0098
Estonian	3B0086	Slovakian	3B0099
Finnish	3B0087	Slovenian	3B0100
French	3B0088	Spanish	3B0101
German	3B0089	Swedish	3B0102
Greek	3B0090	Turkish	3B0103
Japanese	3B0091		





Link to Languages

To locate translated manuals online, scan the QR code and find the appropriate manual on the web page which appears.







Models



Standard Models

Approval Mark	VAC	Model	Model Number
	110-120V	695 XT	19F545
		Ultimate 695 XT	826295
		795 XT	19F710
		Ultimate 795 XT	826298
		Mark IV XT	19F549
		1095 XT	19F546
		Ultimate 1095 XT	826300
		Mark V XT	19F550
	220-240V	695 XT	19F727
		795 XT	19F731
		1095 XT	19F735
		Mark V XT	19F739
		Mark VII XT	19F743
	100-120V	695 XT	20B963
	100-120V	695 XT	19F728
		795 XT	19F732
		Mark V XT	19F740
	220-240V	695 XT	19F712
		795 XT	19F715
		1095 XT	19F720
		Mark V XT	19F723

ProContractor Models









Approval Mark	VAC	Model	Model Number
	110-120V	695 XT	19F547
		Ultimate 695 XT	826297
		795 XT	19F711
		Ultimate 795 XT	826299
		Mark IV XT	19F551
		1095 XT	19F548
110-120V	Ultimate 1095 XT	826301	
	Mark V XT	19F552	
		695 XT	19F729
20B951			
795 XT		20B953	
		19F733	
1095 XT		20B955	
		19F736	
Mark V XT		20B959	
		19F741	
Mark VII XT		19F744	
		20B961	
100-120V	695 XT	20B964	
	1095 XT	20B965	
	100-120V	695 XT	19F730
		795 XT	19F734
		Mark V XT	19F742
	220-240V	695 XT	19F714
		795 XT	19F717
		1095 XT	19F721
		Mark V XT	19F724
100-120V	Mark V XT	19F725	









LoBoy Models

Approval Mark	VAC	Model	Model Number
 ETL C LISTED US Intertek	110-120V	695 XT	19F553
		Ultimate 695 XT	826296
	220-240V	695 XT	19F713

Safety Symbols

The following safety symbols appear throughout this manual and on warning labels. Read the table below to understand what each symbol means.

Symbol	Meaning
	Electric Shock Hazard
	Equipment Misuse Hazard
	Finger Pinch Point Hazard
	Fire and Explosion Hazard
	Moving Parts Hazard
	Skin Injection Hazard
	Skin Injection Hose Hazard
	Splatter Hazard

Symbol	Meaning
	Do Not Put Hand in Front of Spray Tip
	Do Not Place Hands or Other Body Parts Near Fluid Outlet
	Eliminate Ignition Sources
	Injection Hose Avoidance
	Ground Equipment
	Follow Pressure Relief Procedure
	Read Manual
	Wear Personal Protective Equipment



Safety Alert Symbol

This symbol indicates: Attention! Become Alert! Look for this symbol throughout the manual to indicate important safety messages.

General Warnings

The following warnings apply throughout this manual. Read, understand, and follow the warnings before using this equipment. Failure to follow these warnings can result in serious injury.

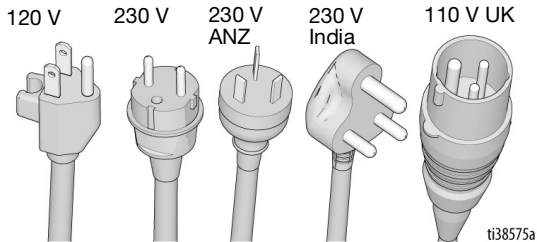
WARNING



GROUNDING

This product must be grounded. In the event of an electrical short circuit, grounding reduces the risk of electric shock by providing an escape wire for the electric current. This product is equipped with a cord having a grounding wire with an appropriate grounding plug. The plug must be plugged into an outlet that is properly installed and grounded in accordance with all local codes and regulations.

- Improper installation of the grounding plug is able to result in a risk of electric shock.
- When repair or replacement of the cord or plug is required, do not connect the grounding wire to either power terminal.
- The wire with insulation having an outer surface that is green with or without yellow stripes is the grounding wire.
- Check with a qualified electrician or serviceman when the grounding instructions are not completely understood, or when in doubt as to whether the product is properly grounded.
- Do not modify the plug provided. If it does not fit the outlet, have the proper outlet installed by a qualified electrician.
- This product is for use on a nominal 120 V or 230 V circuit and has a grounding plug similar to the plugs illustrated in the figure below.



- Only connect the product to an outlet having the same configuration as the plug.
- Do not use a 3-to-2 adapter with this product.

Extension Cords:

- Use only a 3-wire extension cord that has a grounding plug and a grounding receptacle that accepts the plug on the product.
- Make sure your extension cord is not damaged.
- If an extension cord is necessary, use 12 AWG (2.5 mm²) minimum to carry the current that the product draws.
- An undersized cord results in a drop in line voltage and loss of power and overheating.

WARNING



FIRE AND EXPLOSION HAZARD

Flammable fumes, such as solvent and paint fumes, in work area can ignite or explode. To help prevent fire and explosion:



- Do not spray flammable or combustible materials near an open flame or sources of ignition such as cigarettes, motors, and electrical equipment.
- Paint or solvent flowing through the equipment is able to result in static electricity. Static electricity creates a risk of fire or explosion in the presence of paint or solvent fumes. All parts of the spray system, including the pump, hose assembly, spray gun, and objects in and around the spray area shall be properly grounded to protect against static discharge and sparks. Use Graco conductive or grounded high-pressure airless paint sprayer hoses.
- Verify that all containers and collection systems are grounded to prevent static discharge. Do not use pail liners unless they are anti-static or conductive.
- Connect to a grounded outlet and use grounded extensions cords. Do not use a 3-to-2 adapter.
- Do not use a paint or a solvent containing halogenated hydrocarbons.
- Keep spray area well-ventilated. Keep a good supply of fresh air moving through the area.
- Sprayer generates sparks. Keep pump assembly in a well-ventilated area at least 20 feet (6.1 m) from the spray area when spraying, flushing, cleaning, or servicing. Do not spray pump assembly.
- Do not smoke in the spray area or spray where sparks or flame is present.
- Do not operate light switches, engines, or similar spark producing products in the spray area.
- Do not plug or unplug power cords when flammable fumes are present.
- Keep area clean and free of paint or solvent containers, rags, and other flammable materials.
- Know the contents of the paints and solvents being sprayed. Read all Safety Data Sheets (SDSs) and container labels provided with the paints and solvents. Follow the paint and solvent manufacturer's safety instructions.
- Keep a working fire extinguisher in the work area.
- **Stop operation immediately** if static sparking occurs or you feel a shock. Do not use equipment until you identify and correct the problem.

General Warnings

WARNING



SKIN INJECTION HAZARD

High-pressure spray is able to inject toxins into the body and cause serious bodily injury that can result in amputation. In the event that injection occurs, **get immediate surgical treatment.**



- Do not aim the gun at, or spray any person or animal.
- Keep hands and other body parts away from the discharge. For example, do not try to stop leaks with any part of the body.
- Always use the spray tip guard. Do not spray without spray tip guard in place.
- Use Graco spray tips.
- Use caution when cleaning and changing spray tips. In the case where the spray tip clogs while spraying, follow the **Pressure Relief Procedure** for turning off the unit and relieving the pressure before removing the spray tip to clean.
- Equipment maintains pressure after power is shut off. Do not leave the equipment energized or under pressure while unattended. Follow the **Pressure Relief Procedure** when the equipment is unattended or not in use, and before servicing, cleaning, or removing parts.
- Check hoses and parts for signs of damage. Replace any damaged hoses or parts.
- This system is capable of producing 3300 psi. Use Graco replacement parts or accessories that are rated a minimum of 3300 psi.
- Always engage the trigger lock when not spraying. Verify the trigger lock is functioning properly.
- Verify that all connections are secure before operating the unit.
- Know how to stop the unit and bleed pressure quickly. Be thoroughly familiar with the controls.











EQUIPMENT MISUSE HAZARD

Misuse can cause death or serious injury.

- Always wear appropriate gloves, eye protection, and a respirator or mask when painting.
- Do not operate or spray near children. Keep children away from equipment at all times.
- Do not overreach or stand on an unstable support. Keep effective footing and balance at all times.
- Stay alert and watch what you are doing.
- Do not operate the unit when fatigued or under the influence of drugs or alcohol.
- Do not kink or over-bend the hose.
- Do not expose the hose to temperatures or to pressures in excess of those specified by Graco.
- Do not use the hose as a strength member to pull or lift the equipment.
- Do not spray with a hose shorter than 25 feet (7.6 m).
- Do not alter or modify equipment. Alterations or modifications may void agency approvals and create safety hazards.
- Make sure all equipment is rated and approved for the environment in which you are using it.

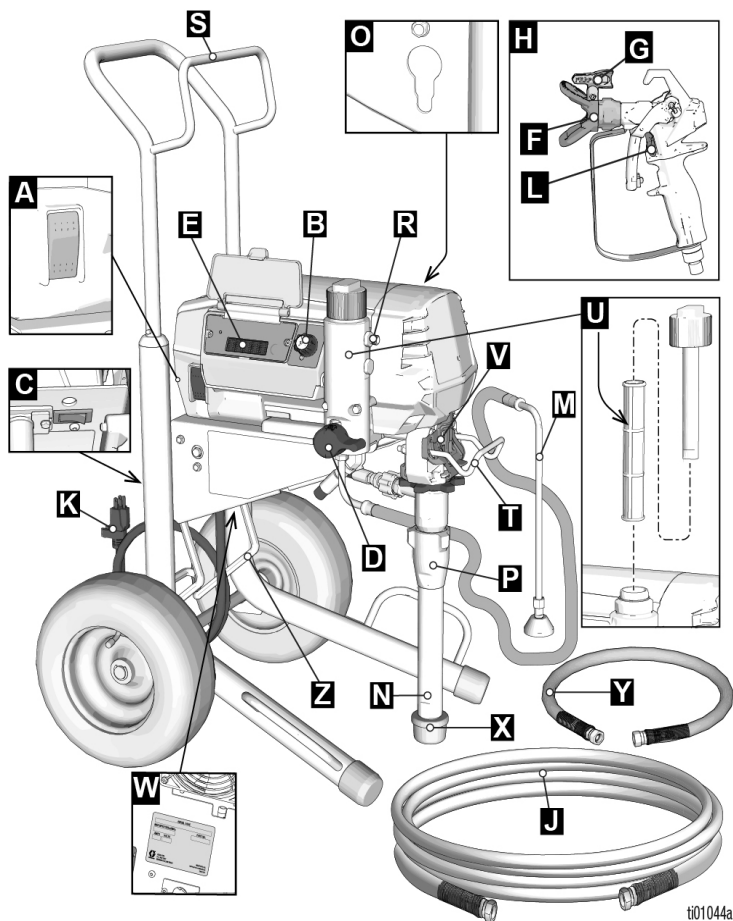
WARNING

 	<p>ELECTRIC SHOCK HAZARD</p> <p>This equipment must be grounded. Improper grounding, setup, or usage of the system can cause electric shock.</p> <ul style="list-style-type: none"> • Turn off and disconnect power cord before servicing equipment. • Connect only to grounded electrical outlets. • Use only 3-wire extension cords. • Ensure ground prongs are intact on power and extension cords. • Do not expose to rain. Store indoors. • Wait five minutes after disconnecting power cord before servicing. • Only use an authorized service center to replace a damaged power cord.
	<p>PRESSURIZED ALUMINUM PARTS HAZARD</p> <p>Use of fluids that are incompatible with aluminum in pressurized equipment can cause serious chemical reaction and equipment rupture. Failure to follow this warning can result in death, serious injury, or property damage.</p> <ul style="list-style-type: none"> • Do not use 1,1,1-trichloroethane, methylene chloride, other halogenated hydrocarbon solvents or fluids containing such solvents. • Do not use chlorine bleach. • Many other fluids may contain chemicals that can react with aluminum. Contact your material supplier for compatibility.
  	<p>MOVING PARTS HAZARD</p> <p>Moving parts can pinch, cut or amputate fingers and other body parts.</p> <ul style="list-style-type: none"> • Keep clear of moving parts. • Do not operate equipment with protective guards or covers removed. • Equipment can start without warning. Before checking, moving, or servicing equipment, follow the Pressure Relief Procedure and disconnect all power sources.
	<p>TOXIC FLUID OR FUMES HAZARD</p> <p>Toxic fluids or fumes can cause serious injury or death if splashed in the eyes or on skin, inhaled, or swallowed.</p> <ul style="list-style-type: none"> • Read Safety Data Sheets (SDSs) to know the specific hazards of the fluids you are using. • Store hazardous fluid in approved containers, and dispose of it according to applicable guidelines.
	<p>PERSONAL PROTECTIVE EQUIPMENT</p> <p>Wear appropriate protective equipment when in the work area to help prevent serious injury, including eye injury, hearing loss, inhalation of toxic fumes, and burns. This protective equipment includes but is not limited to:</p> <ul style="list-style-type: none"> • Protective eyewear, and hearing protection. • Respirators, protective clothing, and gloves as recommended by the fluid and solvent manufacturer.

Component Identification

Component Identification

Standard Models



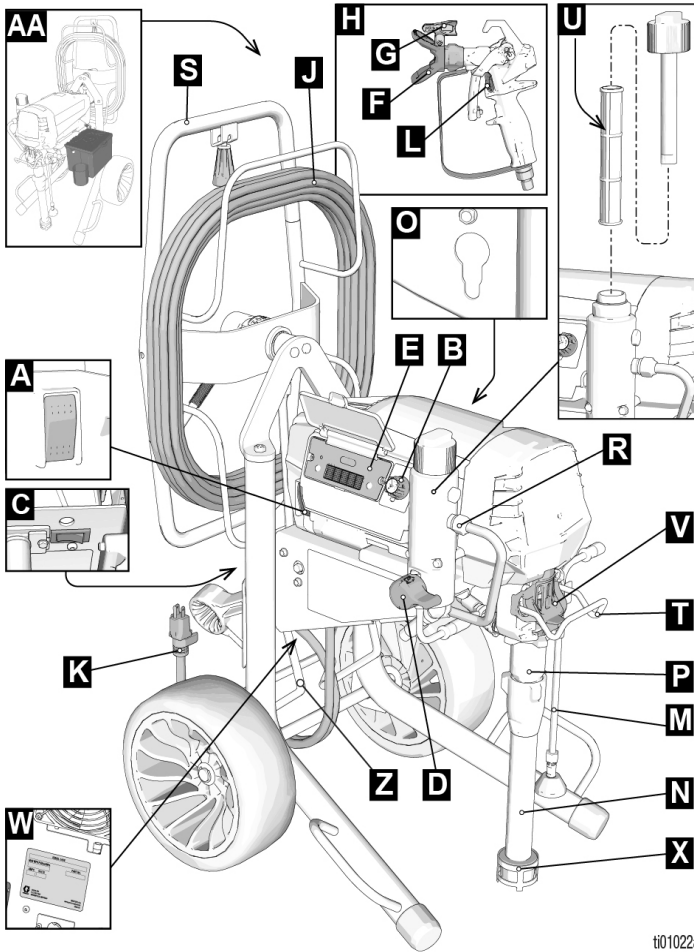
ti01044a

A	ON/OFF Switch
B	Pressure Control
C	Amp Switch (if equipped)
D	Prime Valve
E	Controls and Display (see detailed image, pg.15)
F	Tip Guard
G	Spray Tip
H	Gun
J	Airless Hose
K	Power Cord
L	Trigger Lock
M	Drain Tube

N	Suction Tube
O	Pump Rod Pull Feature
P	Pump
R	Fluid Outlet
S	Cord/Hose Wrap
T	Pail Hanger
U	Filter
V	Finger Guard / TSL Fill Port
W	Serial Label
X	Inlet Strainer
Y	Whip Hose (Mark models only)
Z	Kickstand

Component Identification

Pro-Contractor Models



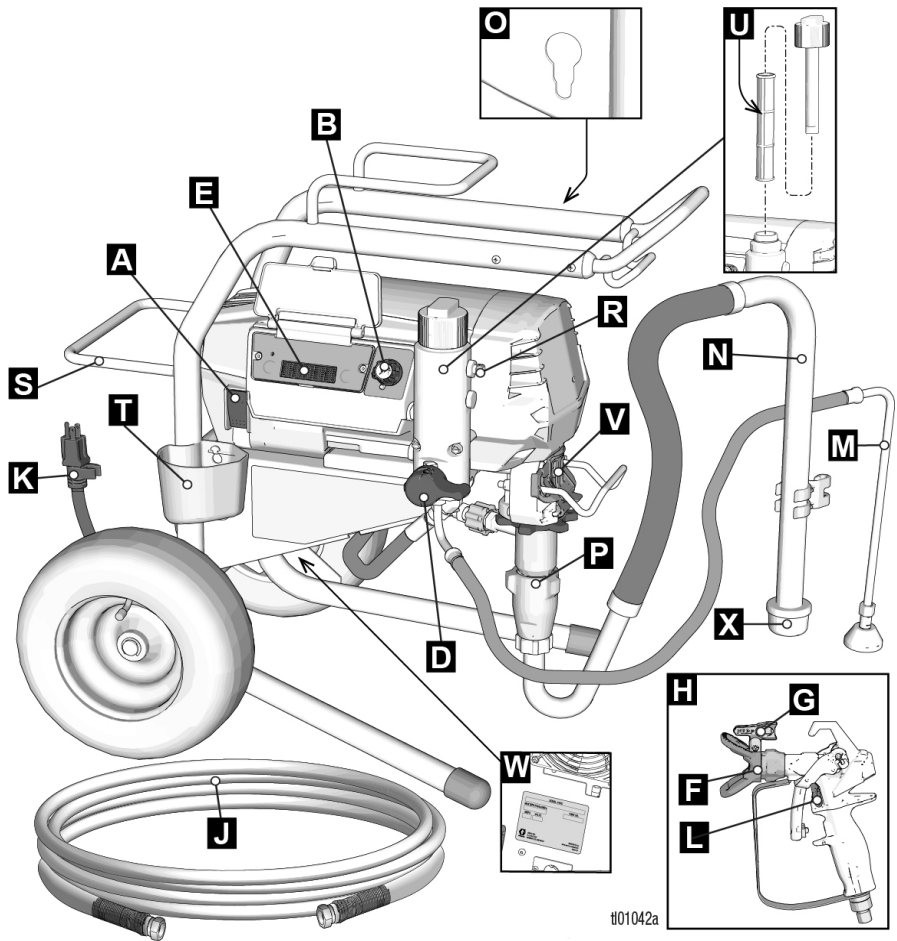
t101022a

A	ON/OFF Switch
B	Pressure Control
C	Amp Switch (if equipped)
D	Prime Valve
E	Controls and Display (see detailed image, pg.15)
F	Tip Guard
G	Spray Tip
H	Gun
J	Airless Hose
K	Power Cord
L	Trigger Lock
M	Drain Tube

N	Suction Tube
O	Pump Rod Pull Feature
P	Pump
R	Fluid Outlet
S	Hose Reel
T	Pail Hanger
U	Filter
V	Finger Guard / TSL Fill Port
W	Serial Label
X	Inlet Strainer
Z	Kickstand
AA	Tool Box (EMEA and UK models only)

Component Identification

LoBoy Models

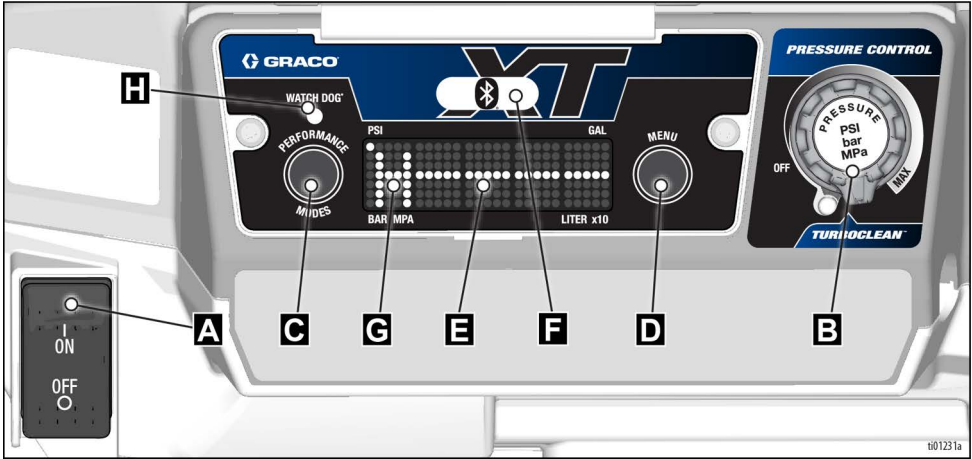


#101042a

A	ON/OFF Switch
B	Pressure Control
D	Prime Valve
E	Controls and Display (see detailed image, pg.15)
F	Tip Guard
G	Spray Tip
H	Gun
J	Airless Hose
K	Power Cord
L	Trigger Lock
M	Drain Tube
N	Suction Tube

O	Pump Rod Pull Feature
P	Pump
R	Fluid Outlet
S	Cord/Hose Wrap
T	Drip Cup
U	Filter
V	Finger Guard / TSL Fill Port
W	Serial Label
X	Inlet Strainer





Controls and Display



A	ON/OFF Switch
B	Pressure Control
C	Performance Mode Button
D	Menu Button
E	LED Display
F	BlueLink Indicator Light (if applicable)
G	Performance Mode Indicator
H	Watchdog™ Indicator Light

Grounding

Grounding

				
<p>The equipment must be grounded to reduce the risk of static sparking and electric shock. An electric or static spark can cause fumes to ignite or explode. An improper ground can cause electric shock. Grounding provides an escape wire for the electric current.</p>				

This sprayer is equipped with a power cord that has a ground wire and an appropriate grounding plug.

The plug must be plugged into an outlet that is properly installed and grounded in accordance with all local codes and ordinances.

Do not modify the plug provided; if it does not fit the outlet, have the proper outlet installed by a qualified electrician.

Extension Cords

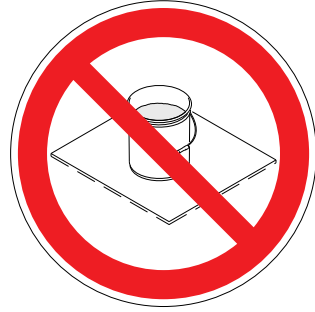
Use an extension cord with an undamaged ground contact. If an extension cord is necessary, use a 3-wire, 12 AWG (2.5 mm²) minimum.

NOTE: Smaller gauge or longer extension cords may reduce sprayer performance.

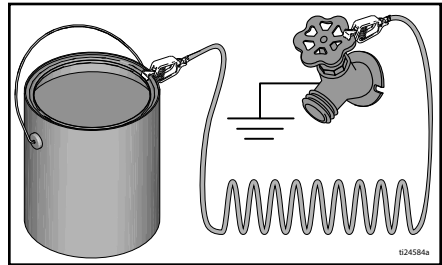
Pails

Solvent and oil-based fluids: follow local code. Use only conductive metal pails, placed on a grounded surface such as concrete.

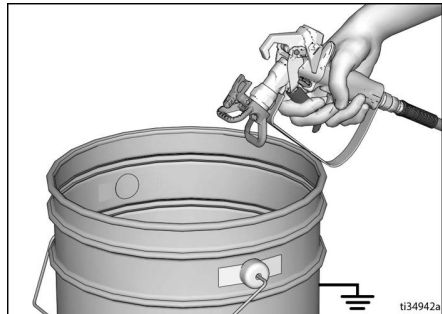
Do not place pail on a non-conductive surface such as paper or cardboard which interrupts grounding continuity.



Always ground a metal pail: connect a ground wire to the pail. Clamp one end to the pail and the other end to a true earth ground such as a metal water pipe.



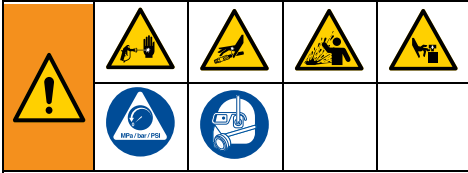
To maintain ground continuity when sprayer is flushed or pressure is relieved: hold a metal part of spray gun firmly to the side of a grounded metal pail then trigger the gun.



Pressure Relief Procedure

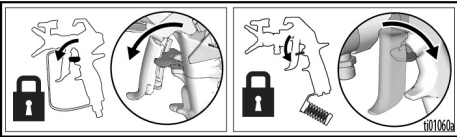


Follow the Pressure Relief Procedure whenever you see this symbol.

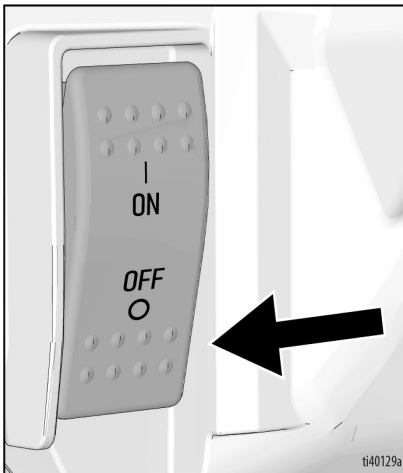


This equipment stays pressurized until pressure is manually relieved. To help prevent serious injury from pressurized fluid, such as skin injection, splashed fluid and moving parts, follow the **Pressure Relief Procedure** whenever you stop spraying and before cleaning, checking, or servicing the equipment.

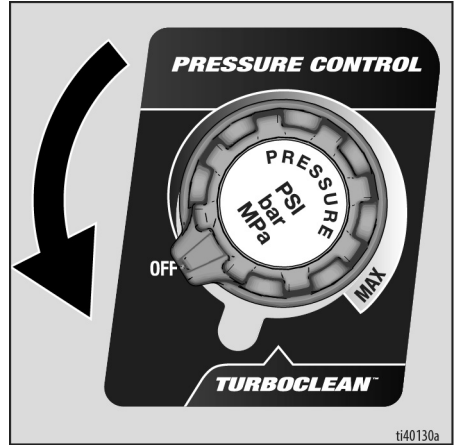
1. Engage the trigger lock.



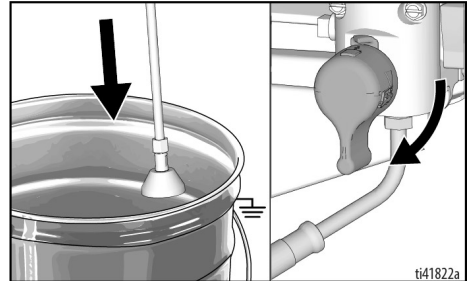
2. Turn ON/OFF switch to the **OFF** position.



3. Turn pressure control to the **OFF** position.

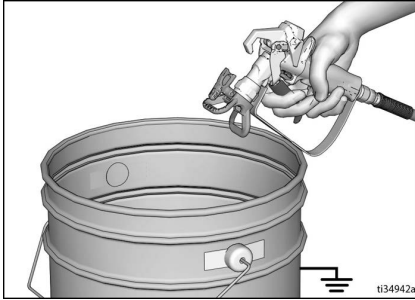


4. Put drain tube in a pail and turn prime valve down to relieve pressure. Leave prime valve in the down (drain) position until you are ready to spray again.



Pressure Relief Procedure

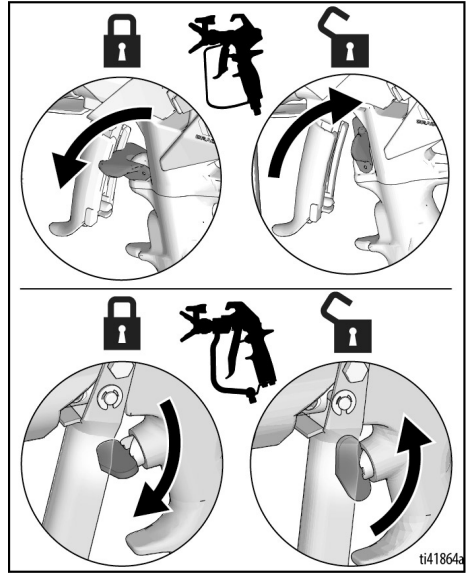
5. Hold a metal part of the spray gun firmly to a grounded metal pail. Point spray gun into pail. Disengage the trigger lock and trigger the spray gun to relieve pressure.



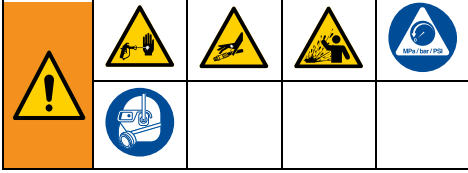
6. Engage the Trigger Lock.
7. If you suspect the spray tip or hose is clogged or that pressure has not been fully relieved:
 - a. Using a wrench, **VERY SLOWLY** loosen the tip guard retaining nut or the hose end coupling to relieve pressure gradually.
 - b. Using a wrench, loosen the nut or coupling completely.
 - c. Clear hose or tip obstruction.

Trigger Lock

Always engage the trigger lock when sprayer is stopped to prevent the gun from being triggered accidentally by hand or if dropped or bumped.



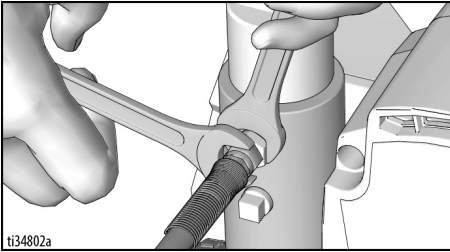
Setup



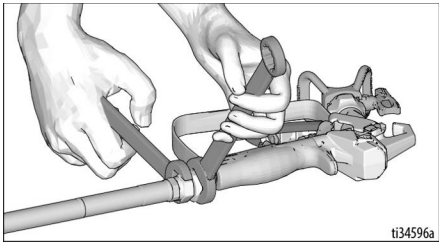
When unpacking sprayer for the first time or after long term storage perform setup procedure. When first setup is performed remove shipping plug from fluid outlet.

Sprayer is equipped with Pump Armor™ in the system.

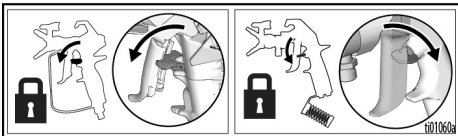
1. Connect Graco airless hose to fluid outlet. Use two wrenches to tighten securely.



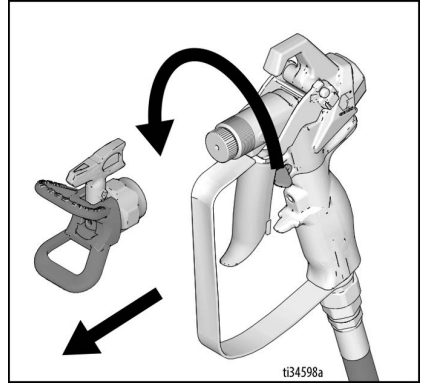
2. Connect other end of hose to gun.



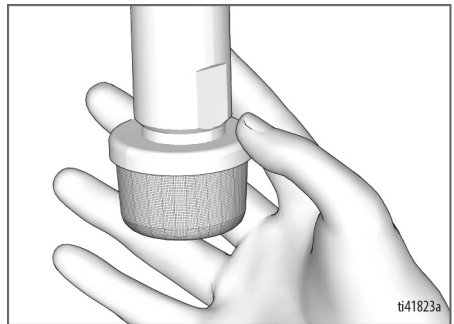
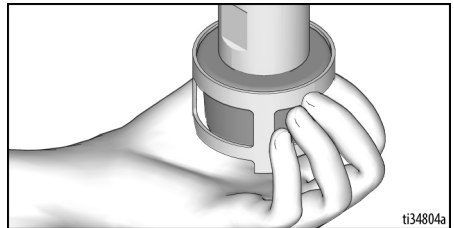
3. Use two wrenches to tighten securely.
4. Engage trigger lock.



5. Remove tip guard.



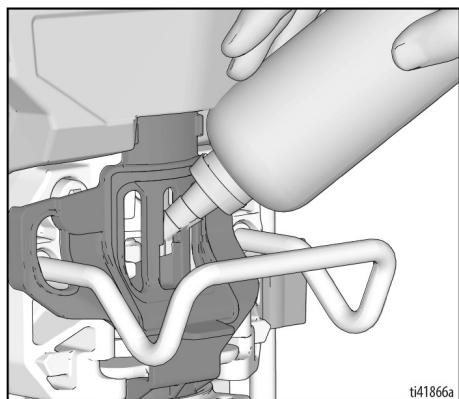
6. When unpacking sprayer for the first time remove packaging materials from inlet strainer. After long term storage check inlet strainer for clogs and debris.



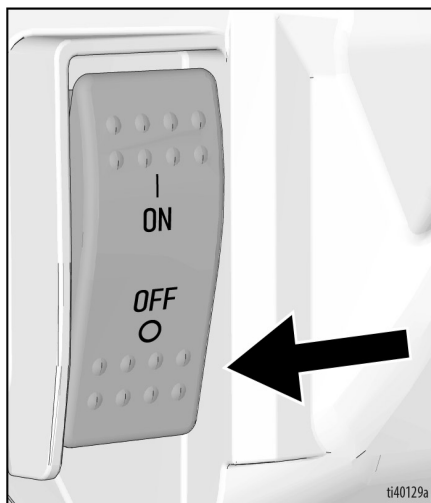
Setup

7. Fill TSL fill port with TSL to prevent premature packing wear. Do this daily or each time you spray.

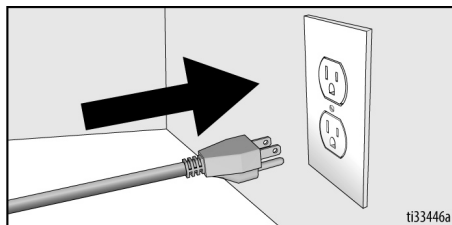
- a. Place the TSL bottle nozzle into the top center opening in the grill at the front of the sprayer.
- b. Squeeze bottle to dispense enough TSL to fill the space between the pump rod and packing nut seal.



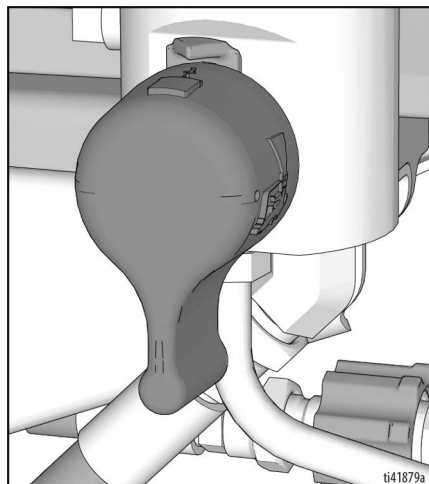
8. Make certain ON/OFF switch is **OFF** and the pressure control is in the **OFF** position.



9. Plug power supply cord into a properly grounded electrical outlet.

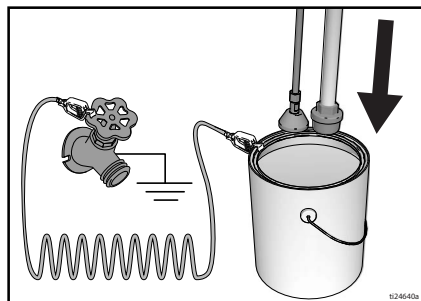


10. Turn prime valve to the down position.

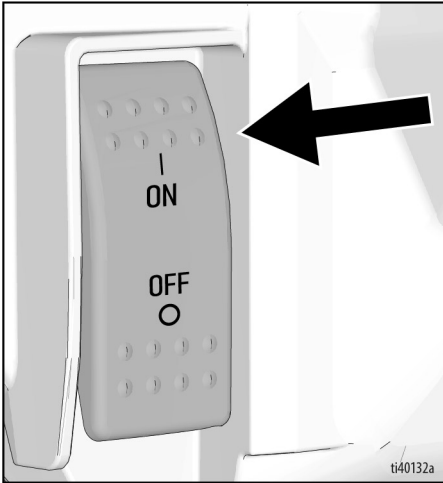


11. Place suction tube with drain tube in grounded metal pail partially filled with flushing fluid. See **Grounding**, page 16.

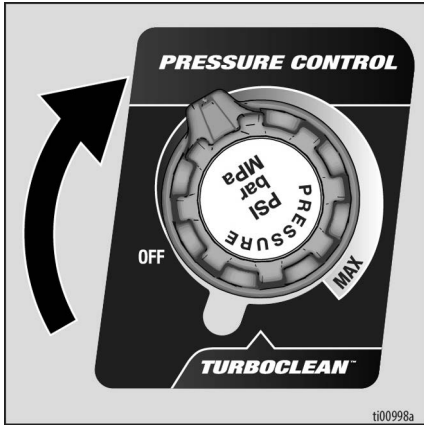
NOTE: Check flushing fluid for compatibility with material that is to be sprayed. A secondary flush with a compatible fluid may be necessary. Water for latex paint or mineral spirits for oil-based paint.



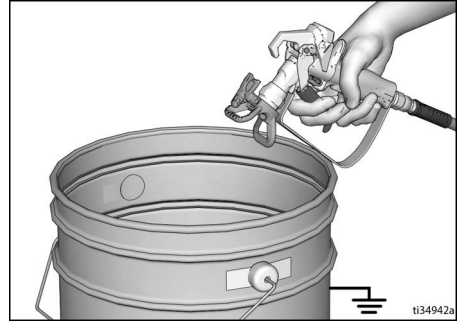
12. Turn ON/OFF switch to **ON** position.



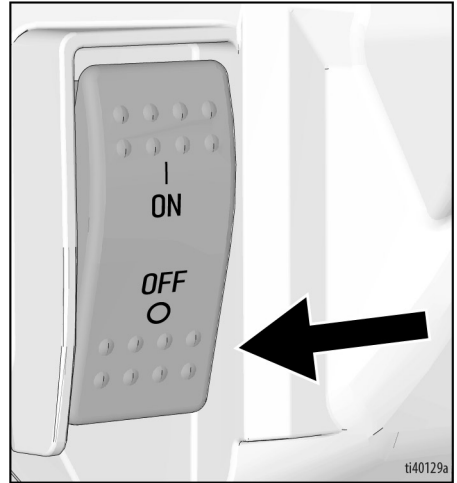
13. Turn prime valve horizontal. Disengage trigger lock.
14. Turn pressure control up until sprayer begins to run.



15. Hold a metal part of the spray gun firmly to a grounded metal pail. Trigger gun and flush for one minute.



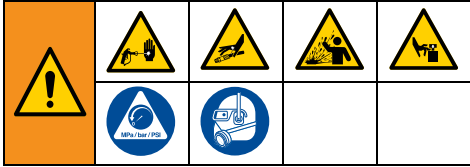
16. Turn ON/OFF switch to **OFF** position.



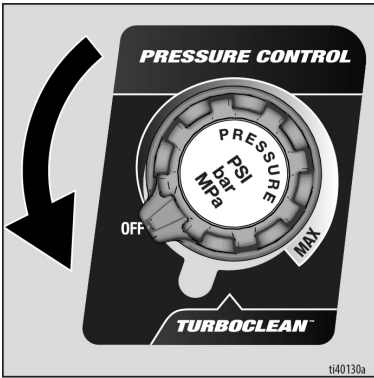
17. Engage trigger lock.
18. Sprayer is now ready for startup.

Startup

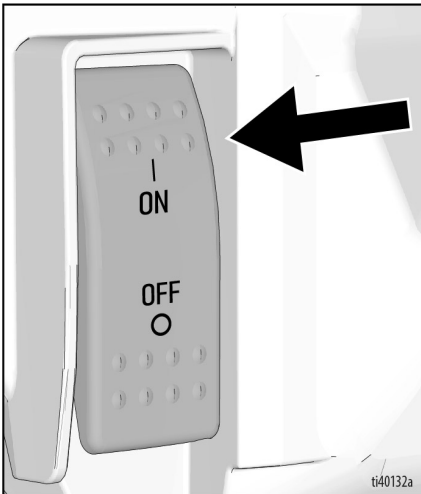
Startup



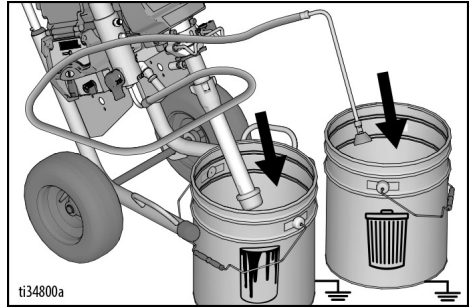
1. Perform **Pressure Relief Procedure**, page 17.
2. Remove spray tip and tip guard.
3. Turn pressure control **OFF**.



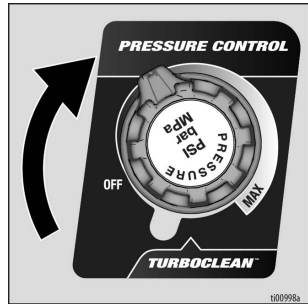
4. Turn the prime valve down.
5. Turn ON/OFF switch to **ON** position.



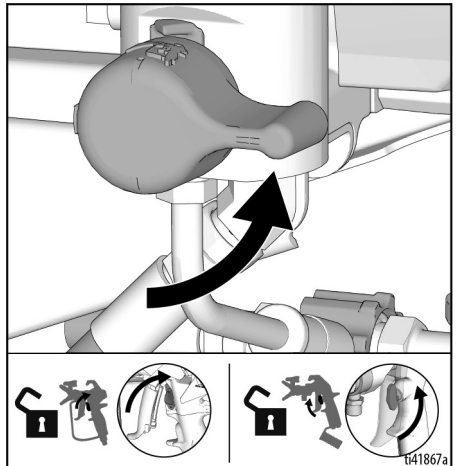
6. Place suction tube in paint pail. Place drain tube in waste pail.



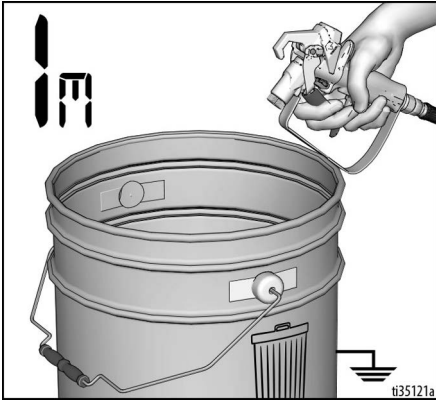
7. Turn pressure control to 10 o'clock position. Allow paint to circulate through drain tube for 15 seconds.



8. Turn prime valve horizontal. Disengage trigger lock.



9. Hold a metal part of the spray gun against grounded metal waste pail. Trigger gun until paint appears.

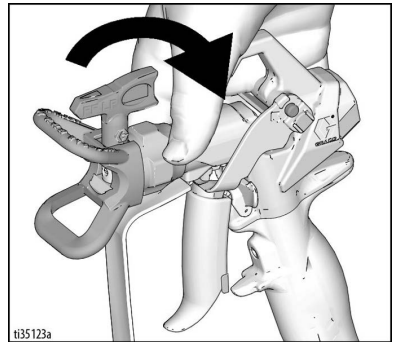


10. Move gun to paint pail and trigger for 20 seconds. Release trigger and allow sprayer to build pressure. Engage trigger lock.



<p>High-pressure spray is able to inject toxins into the body and cause serious bodily injury. Do not stop leaks with hand or rag.</p>				

11. Inspect airless hose connections for leaks. If leaks occur, perform **Pressure Relief Procedure**, page 17, then tighten all fittings and repeat Startup procedure. If there are no leaks continue with the next step.
12. Follow **Spray Tip Installation**, page 24. For gun assembly instructions, see separate gun manual.



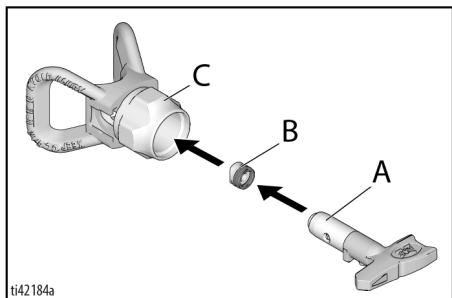
Operation

Spray Tip Installation

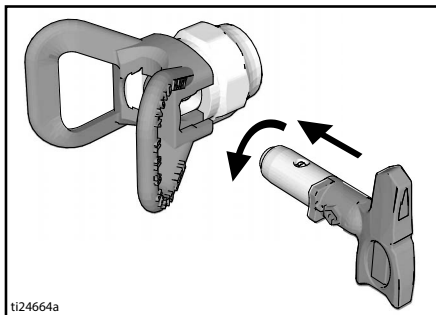


To avoid serious injury from skin injection do not put your hand in front of the spray tip when installing or removing the spray tip and tip guard.

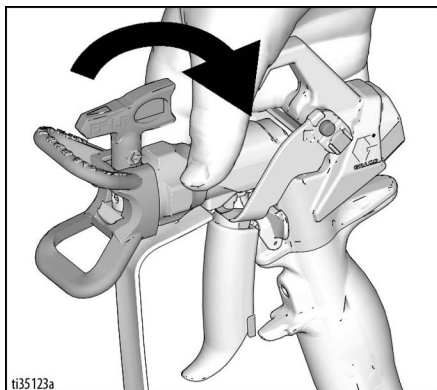
1. Perform **Pressure Relief Procedure**, page 17.
2. Use spray tip (A) to insert OneSeal™ (B) into tip guard (C).



3. Insert Spray Tip.



4. Screw assembly onto gun. Tighten.



Performance Modes

The sprayer is equipped with two performance modes.

LP (Low Pressure) Mode (L): 50-2,000 psi. This mode is best used with Low Pressure Switch Tips (FFLP, LP, and WRLP)

HP (High Pressure) Mode (H): 600-3,300 psi. This mode is best used with any Switch Tip.

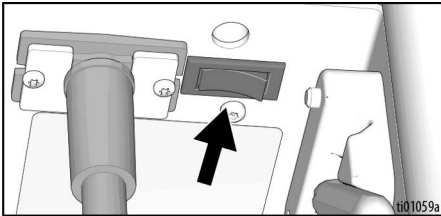
To select or change the performance mode, see **Selecting Performance Modes**, page 30.

Amp Switch

The 230V Mark VII units contain an amp switch to switch the model from 10 to 16 amps.

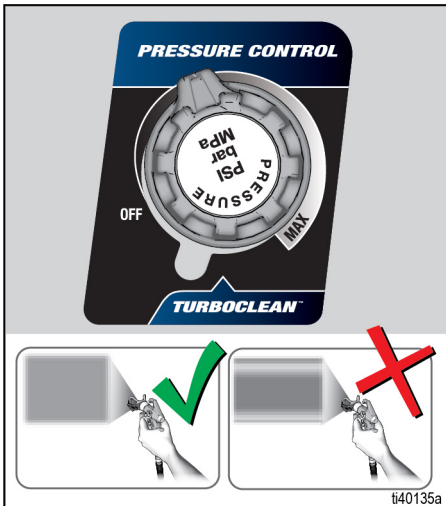
The 100-120v 795, 1095, Mark IV, and Mark V units contain an amp switch to switch the model from 15 to 20 amps.

This switch is located to the right of the power cord, as shown in the image.



Spray

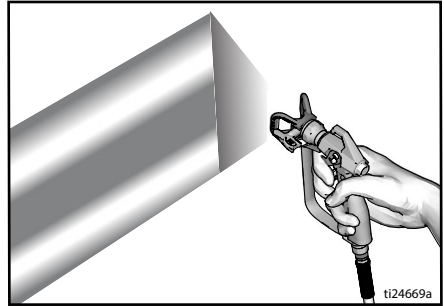
When RAC X™ Low Pressure Switch Tips (FFLP, LP and WRLP) are used, spraying pressure can be lowered. Spraying at a lower pressure results in less overspray and reduces spray tip wear. Adjust the sprayer pressure to minimize overspray.



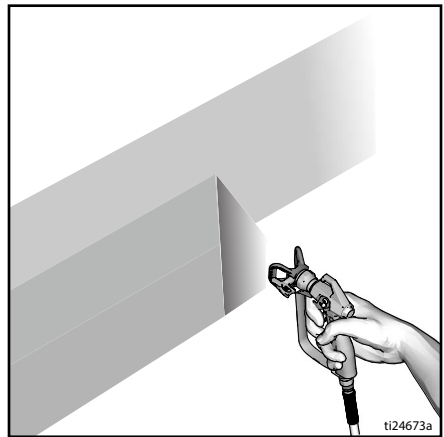
Spraying with atomized, evenly distributed fan pattern

Spraying with tails

1. Spray test pattern. Adjust pressure to eliminate heavy edges.



2. Use smaller tip size if pressure adjustment cannot eliminate heavy edges.
3. Hold gun perpendicular, 10-12 in. (25-30 cm) from surface. Spray back and forth; overlap by 50%.



4. Trigger gun after moving. Release trigger before stopping. For additional spraying information, see separate gun manual.

Operation

Clear Spray Tip Clog

To avoid injury from skin injection, never point gun at your hand or into a rag!				

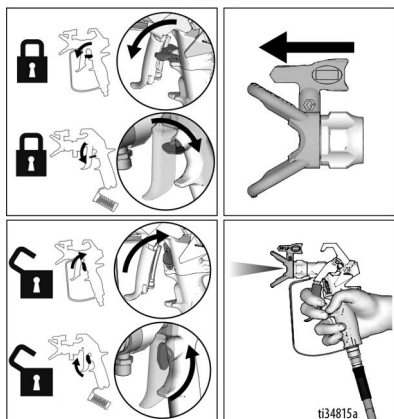
1. Release trigger. Engage trigger lock. Rotate Spray Tip. Disengage trigger lock. Trigger gun at waste area to clear clog.

UNCLOG



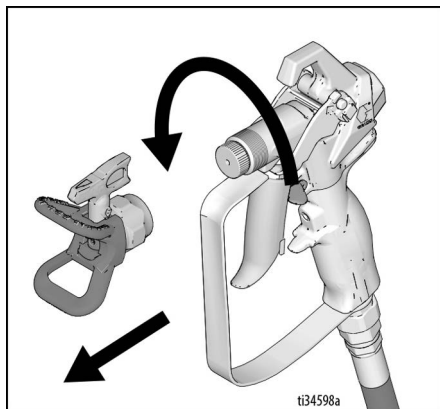
2. Engage trigger lock. Return Spray Tip to original position. Disengage trigger lock and continue spraying.

SPRAY



Cleanup

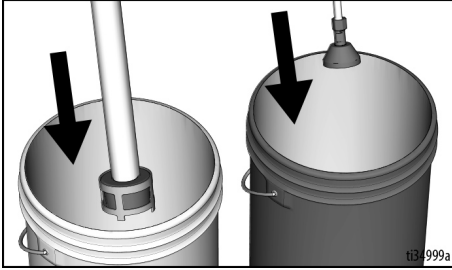
1. Perform **Pressure Relief Procedure**, page 17.
2. Remove tip guard and Spray Tip. For additional information, see separate gun manual.



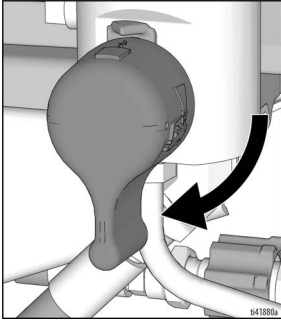
3. Remove suction tube and drain tube from paint, wipe excess paint off outside.



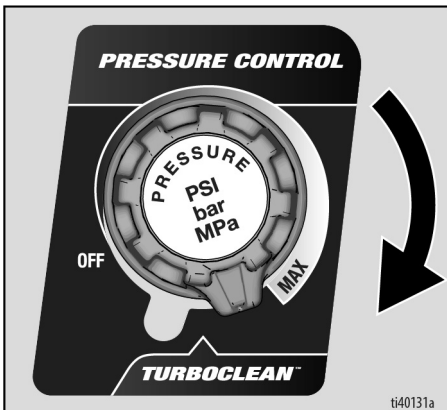
- Place suction tube in flushing fluid. Use water for water base paint and mineral spirits for oil-based paint. Place drain tube in waste pail.



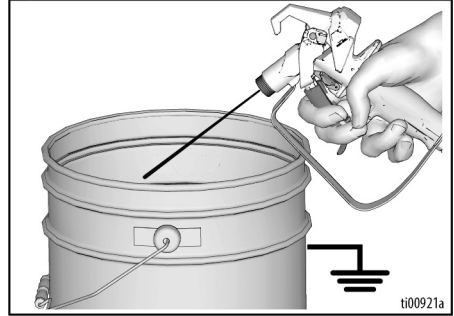
- To pump, turn prime valve to down position.



- Turn pressure control to TurboClean.



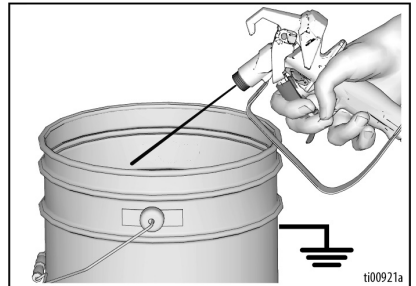
- Trigger gun until the pump runs steady and flushing fluid appears clear in the waste pail.



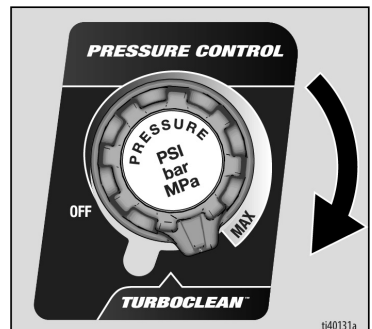
- Turn pressure control to OFF position.

Flush Hose and Gun

- To flush airless hose and spray gun, turn prime valve horizontal.
- Hold a metal part of the spray gun against waste pail. Disengage trigger lock.

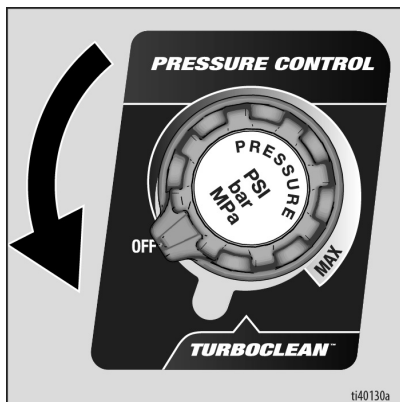


- Trigger gun and turn pressure control to TurboClean.

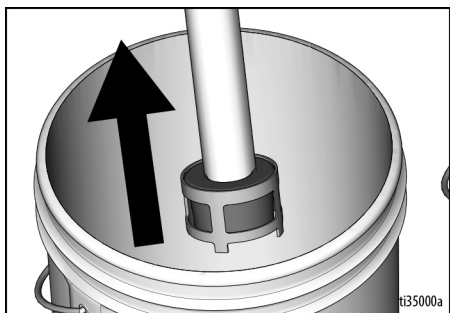


Operation

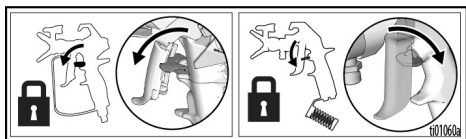
- Operate until the pump runs steady and flushing fluid appears clear.
- Turn pressure control to OFF.



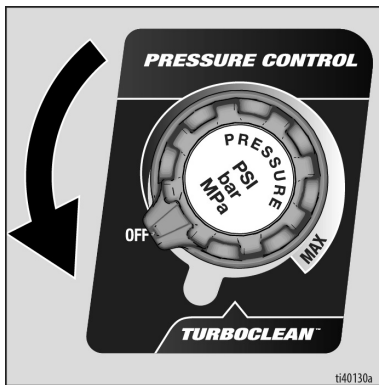
- Stop triggering gun.
- Raise suction tube above flushing fluid.



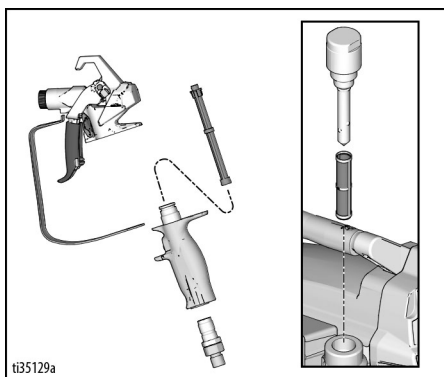
- While triggering gun into flushing pail, turn pressure control to Turboclean to purge fluid from hose.
- Engage trigger lock.



- Turn pressure control knob to OFF and turn ON/OFF switch to **OFF** position. Disconnect power to sprayer.



- Remove Spray Tip and Spray Tip Guard from Spray Gun.
- Remove filter from gun and sprayer if installed. Clean and inspect. Install filter. See separate gun manual.



- If flushing with water, flush again with Pump Armor to leave a protective coating to prevent freezing or corrosion.
- Wipe sprayer, hose and gun with a rag soaked in water or mineral spirits.

Digital Display

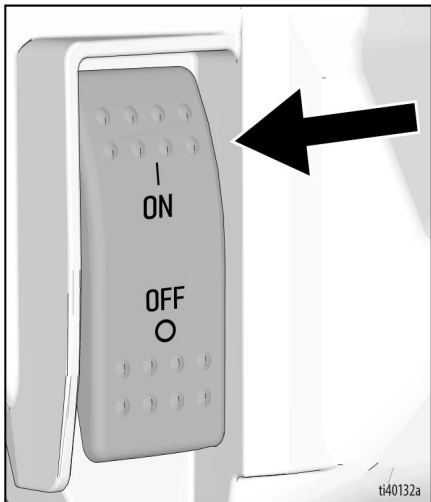
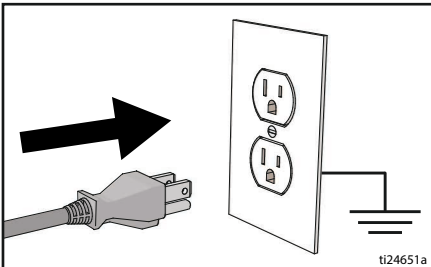
All models are equipped with a digital display. This section explains how to use this feature.



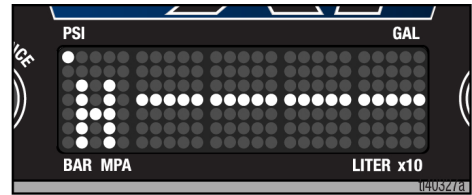
Operation Main Menu

A short press of the menu button moves to the next display. Press and hold menu button to change units or reset data.

1. Perform **Pressure Relief Procedure**, page 17.
2. Turn ON/OFF switch to **OFF** position.
3. Plug sprayer into grounded outlet. Turn ON/OFF switch to **ON** position.



4. To change pressure units (psi, bar, or MPa), press and hold menu button until the desired units appear (approximately 10 seconds). Selection of bar or MPa changes gallons to Liters x10.
5. Pressure display appears. Dashes appear when pressure is less than 50 psi (3 bar, 0.3 MPa).



6. Short press menu button to move to Job Gallons (or Liters x 10).

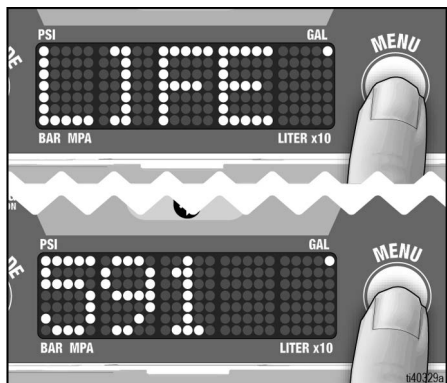
NOTE: **JOB** displays briefly, then the number of gallons sprayed.



Digital Display

- Press and hold menu button to reset to zero, or short press button to move to Lifetime Gallons (or Liters x10).

NOTE: LIFE displays briefly, then the number of gallons sprayed above 600 psi (41 bar, 4.1MPa).



NOTE: Steps 8 and 9 below apply to ProContractor models only.

- Short press menu button to move to Pair Spray Gun. Screen will scroll "Pair Spray Gun".

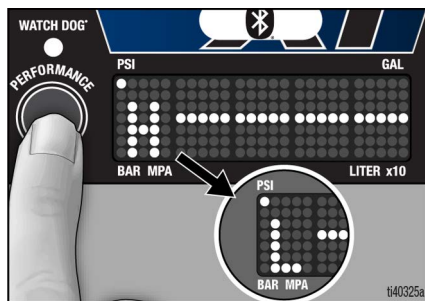


- Short press menu button to return to pressure display screen.

Selecting Performance Modes

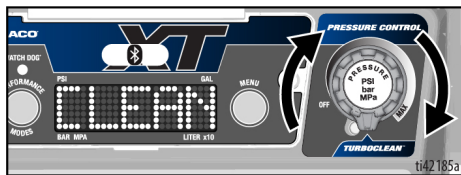
Unit is equipped with two performance modes. Performance modes are selected by pressing the "Performance Mode" button on the left side of the display. The mode will scroll across the display either "High Pressure" or "Low Pressure". They are denoted by a one letter symbol on the left side of the display.

For an explanation of performance modes, see **Performance Modes**, page 24.



TurboClean

Unit is equipped with TurboClean cleaning mode. To enable, turn pressure control knob to TurboClean setting. When entering TurboClean, there will be a notable detent when turning the pressure control knob to the TurboClean setting and CLEAN will flash on the display.

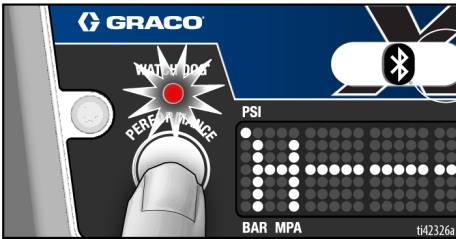


NOTE: TurboClean is only used for cleaning fluids. When in TurboClean, the sprayer will not spray paint or other materials.

Watchdog

The Watchdog™ Pump Protection System automatically shuts down the pump when material runs out or if the suction tube is damaged.

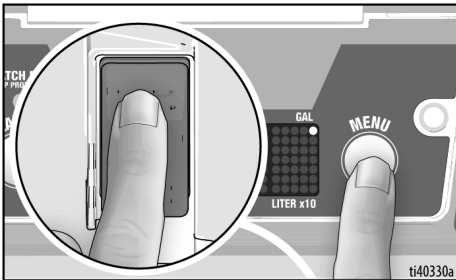
To enable Watchdog, press and hold “Performance Mode” button until Watchdog LED is illuminated. Press and hold “Performance Mode” button to disable Watchdog.



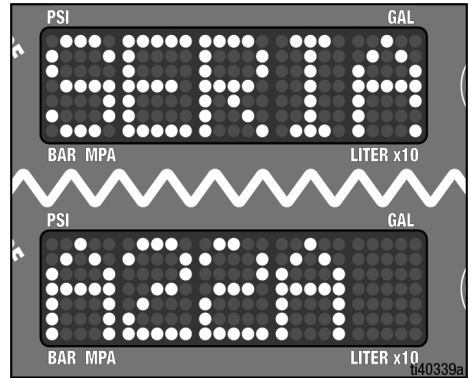
There are three Watchdog sensitivity settings: Low, Medium, and High. To change sensitivity setting, enter stored data in the display and navigate to Watchdog. Press and hold menu button to toggle Watchdog.

Stored Data Display

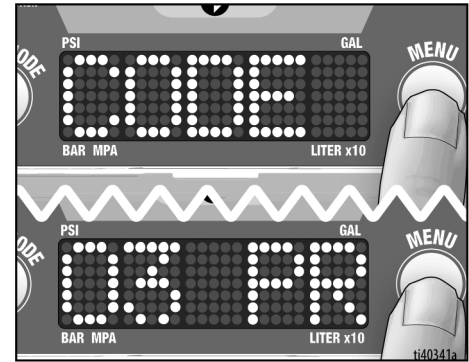
1. Perform **Pressure Relief Procedure**, page 17.
2. Press and hold menu button while turning ON/OFF switch to **ON** position.



3. Serial code will scroll across display.



4. Short press menu button and the total motor run hours is displayed.
5. Short press menu button and the last error code is displayed: e.g., **E=03**. Press and hold menu button to clear error code to zero.

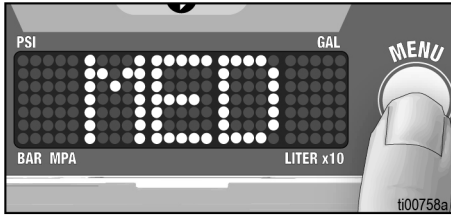


6. Short press to move to Watchdog.

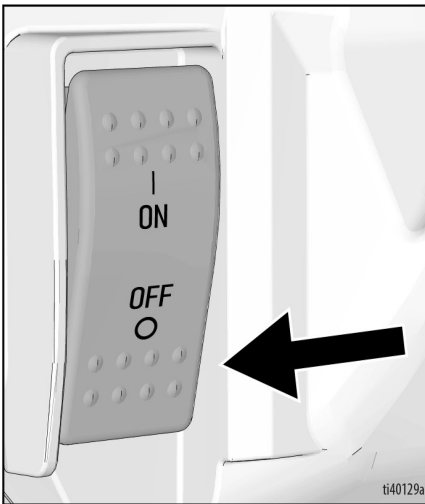


Digital Display

7. Press and hold menu button to change Watchdog sensitivity setting (High, Medium, Low). Default is set to Medium.



8. Short press menu button to move software Rev.
9. Short press menu button to move to Sprayer ID.
10. Short press menu button to move to **Knob Calibration**, page 32 and **Transducer Calibration**, page 33.
11. Turn ON/OFF switch to **OFF** position to exit Stored Data.



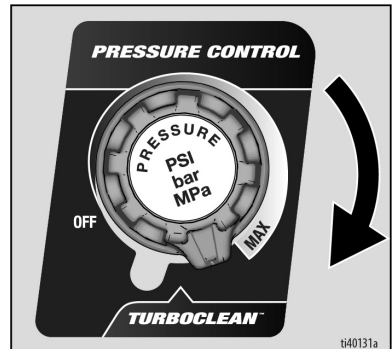
Knob Calibration

NOTE: Knob calibration should be performed whenever a new pressure control (potentiometer) is installed or the control board is replaced.

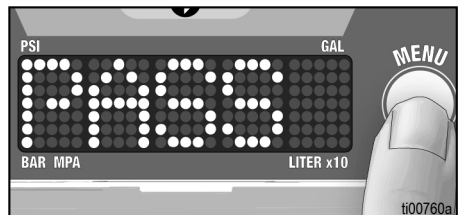
1. To perform knob calibration, enter secondary menu by holding menu button while powering sprayer.
2. Use menu button to navigate to knob calibration screen.



3. Set potentiometer to max spray position, just before TurboClean.



4. Hold menu button until display shows pass.



5. Turn potentiometer knob back to **OFF** position before restarting and reusing the sprayer.

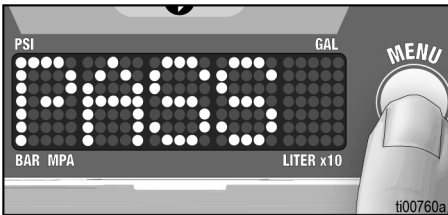
Transducer Calibration

NOTE: Transducer calibration should be performed whenever a new transducer is installed or the control board is replaced.

1. Perform **Pressure Relief Procedure**, page 17.
2. To perform transducer calibration, enter secondary menu by holding menu button while powering sprayer.
3. Use menu button to navigate to 0 (zero) calibration screen.



4. Make sure dump valve is open and that there is no pressure in sprayer.
5. Press and hold menu button until display shows pass.



BlueLink[®] App

Units equipped with BlueLink have a BlueLink indicator light on the display, see **Controls and Display, page 15**.

Download the Graco BlueLink app from the Apple App Store, Google Play, or other available application stores to connect to the paint sprayer via Bluetooth[®].

The BlueLink app allows you to access sprayer information, settings, statistics, and provides access to useful features such as Watchdog[™], improved maintenance tracking, sprayer tracking, and job tracking. Find the Graco BlueLink App at:

<https://www.graco.com/BlueLink>



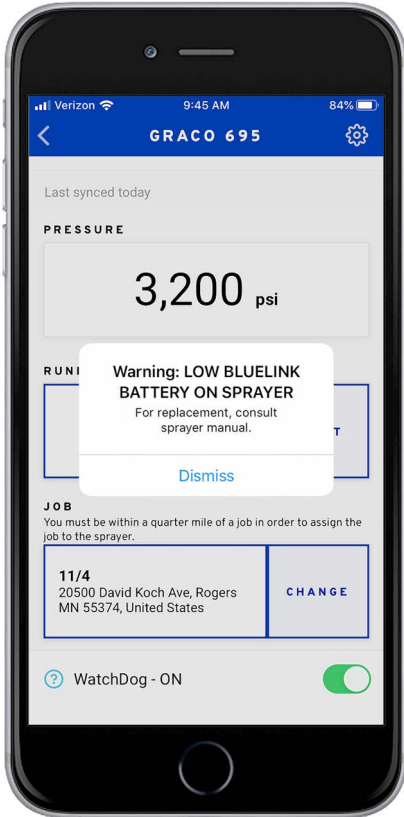
Further instructions can be accessed within the app. Instructions can also be accessed online at:

<https://www.graco.com/BlueLinkSupport>



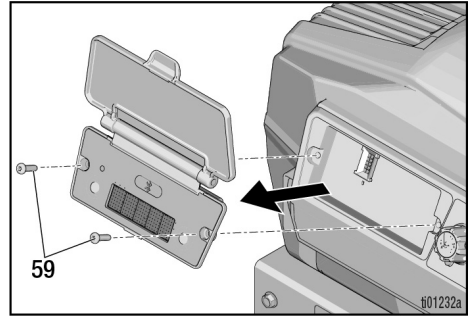
Replacing BlueLink Battery

In order to keep your sprayer synced, your unit has a small battery built-in. If you receive the following message, the battery will need to be replaced.

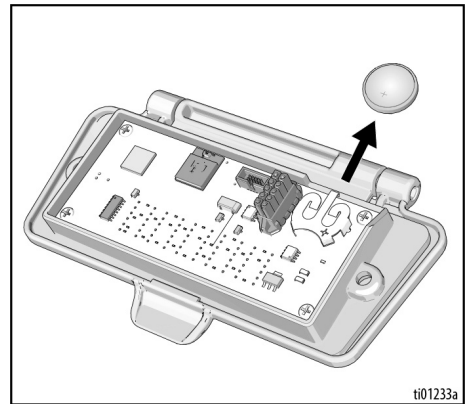


ti37542a

1. Turn sprayer **OFF** and unplug the power cord.
2. Using T20 torx tool, remove two screws and remove display board.



3. Slide battery out of the holder.
4. Replace battery with a new CR2032 battery.



5. Reinstall display board screws. Torque to 12-16 in. lbs.

Maintenance

Routine maintenance is important to ensure proper operation of your sprayer.

Maintenance includes performing routine actions which keep your sprayer in operation and prevents trouble in the future.



1. Perform **Pressure Relief Procedure**, page 17, before performing maintenance.

Activity	Interval
Inspect/clean sprayer filter, fluid inlet strainer, and gun filter.	Daily or each time you spray
Inspect motor shield vents for blockage.	Daily or each time you spray
Fill TSL by adding through TSL fill port.	Daily or each time you spray
Check sprayer stall. With sprayer gun NOT triggered, sprayer motor should stall and not restart until gun is triggered again. If sprayer starts again with gun NOT triggered, inspect pump for internal/external leaks and check prime valve for leaks.	Every 100 gallons (1000 liters)
Throat packing adjustment When pump packing begins to leak after extended use, tighten packing nut down until leakage stops or lessens. This allows approximately 100 gallons of additional operation before a repacking is required. Packing nut can be tightened without o-ring removal.	As necessary based on usage



Maintenance can be scheduled and tracked via the Graco BlueLink app.

Recycling and Disposal at End of Life

At the end of the product's useful life, dismantle and recycle it in a responsible manner.

Preparation:

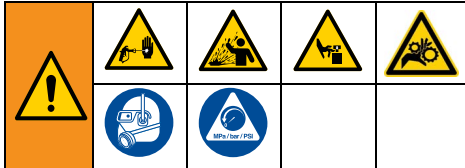
- Perform the **Pressure Relief Procedure**, page 17.
- Drain and dispose of fluids according to applicable regulations. Refer to the material manufacturer's Safety Data Sheet.

Dismantle and recycle:

- Remove motors, circuit boards, displays, and other electronic components. Recycle according to applicable regulations.
- Do not dispose of electronic components with household or commercial waste.
- Deliver remaining product to a recycling facility.

Troubleshooting

Mechanical/Fluid Flow



1. Follow **Pressure Relief Procedure**, page 17, before checking or repairing.
2. Check all possible problems and causes before disassembling the unit.

To help prevent serious injury from pressurized fluid, such as skin injection, splashing fluid, and moving parts, follow the **Pressure Relief Procedure** when you stop spraying and before cleaning, checking, or servicing the equipment.



Keep clear of moving parts during troubleshooting procedures.

Problem	What to Check If check is OK, go to next check	What to Do When check is not OK, refer to this column
Pump output is low	Spray tip worn.	Replace tip. See separate gun or tip manual.
	Spray tip clogged.	Clear tip. See Clear Spray Tip Clog , page 26.
	Paint supply.	Refill and reprime pump.
	Intake strainer clogged.	Remove and clean, then reinstall. If problem persists, strain the paint.
	Intake valve ball and piston ball are not seating properly.	Remove intake valve and clean. Check balls and seats for nicks; replace if necessary. See pump manual. Strain paint before using to remove particles that could clog pump.
	Fluid filter or tip filter is clogged or dirty.	Remove and clean, then reinstall.
	Prime valve leaking.	Repair prime valve.
	Verify pump does not continue to stroke when gun trigger is released. (Prime valve not leaking.)	Service pump. See pump manual.
Leaking around throat packing nut which may indicate worn or damaged packings.	Tighten packing nut/wet-cup. Replace packings. See pump manual. Also check piston valve seat for hardened paint or nicks and replace if necessary.	

Troubleshooting

Problem	What to Check If check is OK, go to next check	What to Do When check is not OK, refer to this column
Pump output is low	Low stall pressure. Pressure setting is too low.	Change spray mode to High Pressure. Turn pressure knob fully clockwise. Make sure pressure control knob is properly installed to allow full clockwise position. Perform Knob Calibration , page 32. If problem persists, replace pressure transducer.
	Pump rod damage.	Repair pump. See pump manual.
	Piston packings are worn or damaged.	Replace packings. See pump manual.
	O-ring in pump is worn or damaged.	Replace o-ring. See pump manual.
	Intake valve ball is packed with material.	Clean intake valve. See pump manual.
	Large pressure drop in hose with heavy materials.	Reduce overall length of hose. Use larger diameter hose.
	Check extension cord for correct size.	See Extension Cords , page 16.
	Connecting rod assembly damaged.	Replace connecting rod assembly.
	Amp switch is on low setting.	Switch to a 16A or 20A setting.
Motor doesn't run	Error code on the display.	Determine fault correction from electrical, see page 39.
	Motor cables damaged or loose connections.	Reconnect or replace if necessary.
	Potentiometer wire damaged or loose connections.	Reconnect or replace if necessary.
	Control board, see page 40.	Replace power cord or control board.
	Additional motor troubleshooting.	See page 41.
Motor runs but pump does not stroke	Connecting rod assembly damaged.	Replace connecting rod assembly.
Excessive paint leakage into throat packing nut	Throat packing nut is loose.	Remove throat packing nut spacer. Tighten throat packing nut just enough to stop leakage.
	Throat packings are worn or damaged.	Replace packings.
	Displacement rod is worn or damaged.	Replace rod.
Fluid is spitting from gun	Air in pump or hose.	Cycle pump as slowly as possible during priming. Purge paint through gun by following Startup , page 22.
	Spray tip is partially clogged.	Clear tip. See Clear Spray Tip Clog , page 26.
	Fluid supply is low or empty.	Refill fluid supply. Prime pump. Check fluid supply often to prevent running pump dry.
Pump is difficult to prime	Clog in prime valve.	Remove prime valve, check for clogs, replace.
	Air in pump or hose.	Check and tighten all fluid connections. Cycle pump as slowly as possible during priming.
	Intake valve is leaking.	Clean intake valve. Be sure ball seat is not nicked or worn and that ball seats well. Reassemble valve.
	Pump packings are worn.	Replace pump packings. See pump manual.
	Paint is too thick.	Thin the paint according to supplier recommendations.
Pump loses prime	Leak in suction tube.	Replace suction tube.
	Debris stuck in inlet ball.	Remove foot valve and clean with appropriate cleaning solution.

Electrical

				
To avoid injury from electrical shock when covers are removed, wait five minutes after disconnecting power cord for stored electricity to dissipate.				

Symptom: Sprayer does not run, stops running, or will not shut off.

1. Perform **Pressure Relief Procedure**, page 17.

2. Unplug sprayer and turn the ON/OFF switch to **OFF**.
3. Wait 30 seconds, then plug power supply cord into a properly grounded electrical outlet. Switch back **ON** again (this ensures sprayer is in normal run mode).
4. Turn pressure control knob clockwise 1/2 turn.
5. Error code will be shown on display.

				
To avoid serious injury from electrical shock and moving parts, do not remove interior motor cover or touch electrical components.				

Error Code Messages

CODE	MESSAGE	ACTION
02	Code 02-High pressure detected	Relieve pressure. Check for clogs in filters and hoses. Use minimum of 50 ft. (15 m) of Graco hose. Check transducer.
03	Code 03-Pressure transducer not detected	Turn sprayer OFF and unplug the sprayer. Remove shroud. Check transducer cable and connection to control board. Check transducer.
04	Code 04-Multiple incoming voltage surges detected	Turn sprayer OFF and unplug the sprayer. Locate good voltage supply to prevent damage to electronics.
05	Code 05-Motor not spinning due to high mechanical load	Turn sprayer OFF and unplug the sprayer. Attempt to spin motor, see page 41. Motor should spin freely. If motor doesn't spin easily, remove pump and re-check by spinning motor again. If motor spins easily, check control board.
06	Code 06-Motor thermal protection enabled	Keep sprayer plugged in and allow time to cool. This may take up to an hour. Check vents in bottom and top of sprayer for blockage. If applicable, check fan connector and wiring, fan should be running. Unplug sprayer and check to make sure the motor spins freely, see page 41.
08	Code 08-Incoming voltage too low for sprayer operation	Turn sprayer OFF and unplug the sprayer. Locate good voltage supply to prevent damage to electronics.
09	Code 09-Communication to encoder failed	Turn sprayer OFF and unplug the sprayer and wait five minutes. Remove shroud. Check cables and connections. Check motor, see page 41.
10	Code 10-Control board thermal protection enabled	Keep sprayer plugged in and allow time to cool. This may take up to an hour. Check vents in bottom and top of sprayer for blockage. If applicable, check fan connector and wiring, fan should be running. Unplug sprayer and check to make sure the motor spins freely.
12	Code 12-Excessive current protection enabled	Cycle power ON and OFF . If problem persists, check motor, see page 41.
15	Code 15-Motor not spinning, no motor current detected	Turn sprayer OFF and unplug the sprayer and wait five minutes. Remove shroud. Check cables and connections. Check control board. Check motor, see page 41.
17	Code 17-Control board plugged into wrong voltage	Turn sprayer OFF and unplug the sprayer, Locate good voltage supply to prevent damage to electronics, see page 41.

Troubleshooting

Control Board





To avoid injury from electrical shock and moving parts, do not remove interior motor cover or touch electrical components.

Symptom: Sprayer does not run or stop running.

1. Check voltage supply to the board.
 - a. With multimeter, measure the AC voltage from the end of the power cord (L1in and L2in, see **Wiring Diagrams**, page 64). AC voltage should read 100-127 VAC or 220-240 VAC, depending on location.
 - b. If voltage is low or not present, check power supply from wall. If power supply from wall is good, unplug from wall and allow five minutes for voltage to drain from board.
 - c. Check wiring, power cord, or connectors for damage.
2. Check for physical damage.

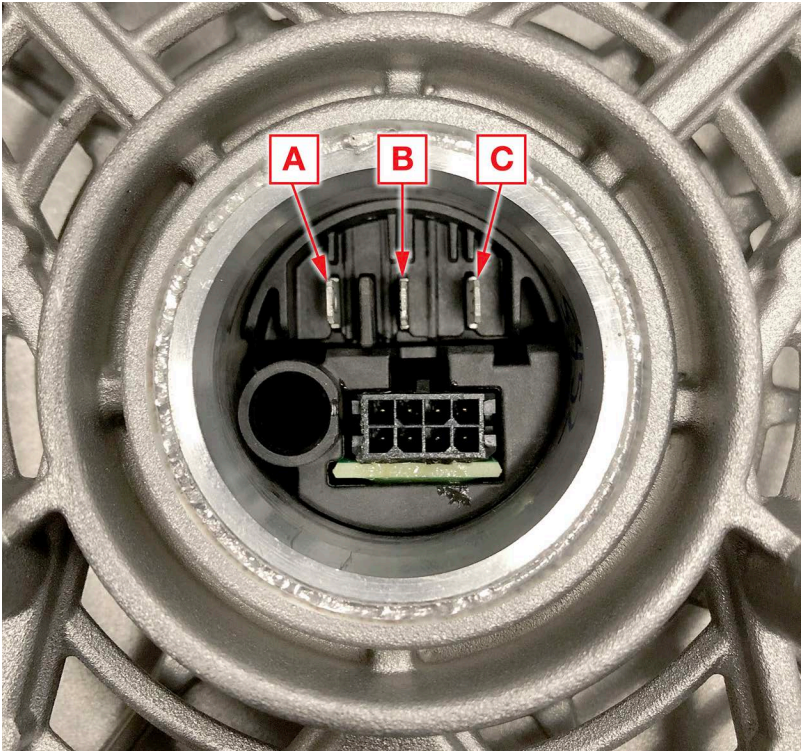
Motor

				
To avoid injury from electrical shock when covers are removed, wait five minutes after disconnecting power cord for stored electricity to dissipate.				

Symptom: Unit doesn't run, runs rough, or is noisy.




1. Perform the **Pressure Relief Procedure**, page 17.
2. Turn sprayer **OFF** and unplug the power cord.
3. Remove the top sprayer shroud.
4. Remove pump.
5. Remove the control board.

6. Motor should spin freely with no binding or excessive cogging. If motor binds or requires excessive force to spin, replace motor.
7. With multimeter, measure the resistance between the following phases:
 - a. A to B
 - b. B to C
 - c. A to C
8. Resistance values should be equal. If resistance values are significantly different from one another ($>0.5 \Omega$), replace motor.
9. Install pump.
10. Install control board.
11. Install top sprayer shroud.

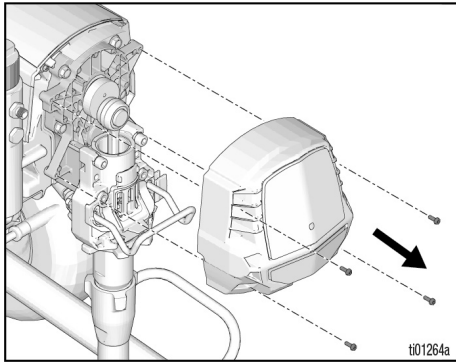


Repair

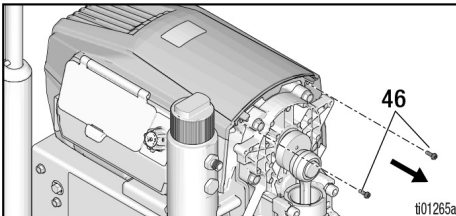
Removing the Shroud

				
<p>To avoid injury from electrical shock and moving parts, do not remove interior motor cover and wait five minutes after disconnecting power cord for stored electricity to dissipate.</p>				

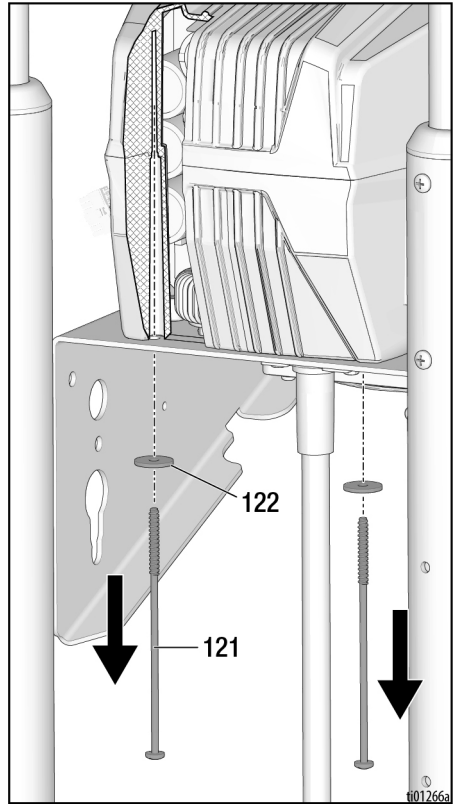
1. Perform the **Pressure Relief Procedure**, page 17.
2. Turn sprayer **OFF** and unplug the power cord.
3. Using a 1/4 in. socket, remove four screws retaining front cover.



4. Using a 1/4 in. socket, remove two front screws.

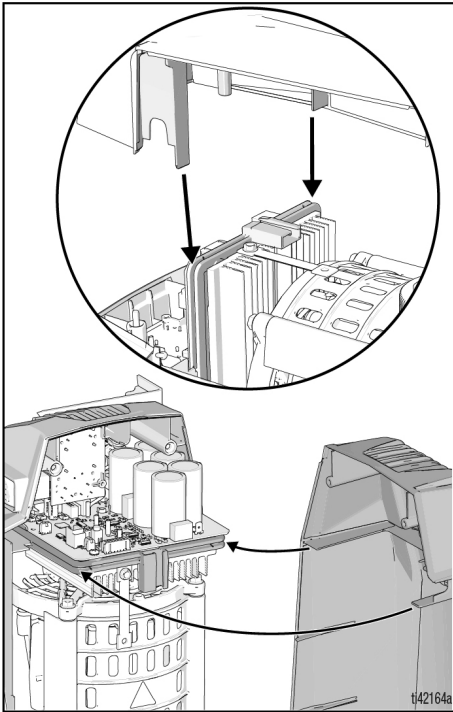


5. Using a T20 tool, remove two Torx T20 screws. Remove top shroud.



Replacing the Shroud

1. Ensure tabs on inside top of shroud align with grooves on the control board channel. The top shroud tabs must slide into the control board grooves. Side edges should align to bottom shroud in the side grooves.



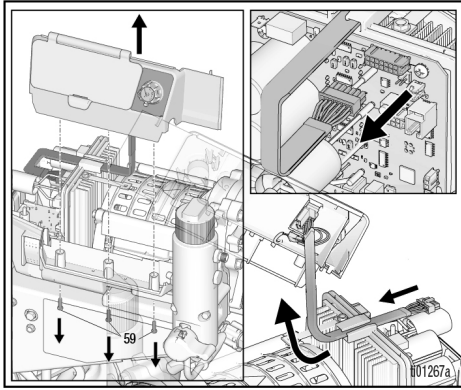
2. Push gently down on top of the shroud and using a T20 tool, tighten two Torx T20 screws to 12-16 in.-lbs.
3. Using a 1/4 in. socket, tighten two front screws to 20-25 in.-lbs.
4. Align front cover and using a 1/4 in. socket, tighten front screws to 20-25 in.-lbs.

Removing the Potentiometer

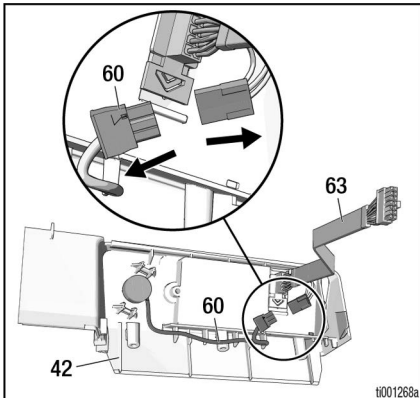


To avoid injury from electrical shock and moving parts, do not remove interior motor cover and wait five minutes after disconnecting power cord for stored electricity to dissipate.

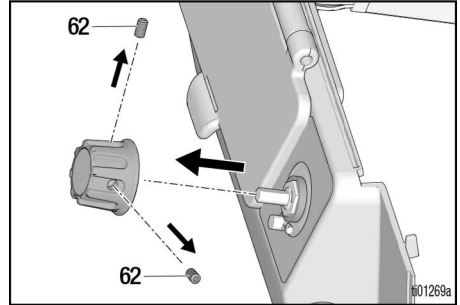
1. Remove shroud, see **Removing the Shroud**, page 42.
2. Using a T20 tool, remove three Torx T20 screws holding display.
3. Remove side shroud at control board by disconnecting the display harness.



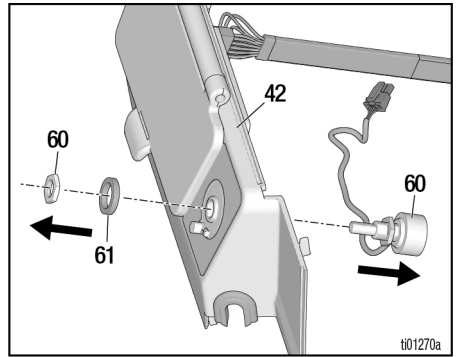
4. Disconnect potentiometer cable connector.



5. Remove potentiometer knob by backing out the two remaining set screws with a 5/64 inch Allen wrench.



6. Using a 1/2 in. socket, remove potentiometer by unscrewing retaining nut from display.

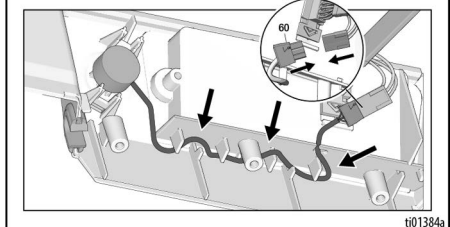
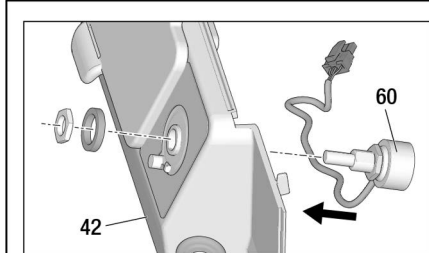
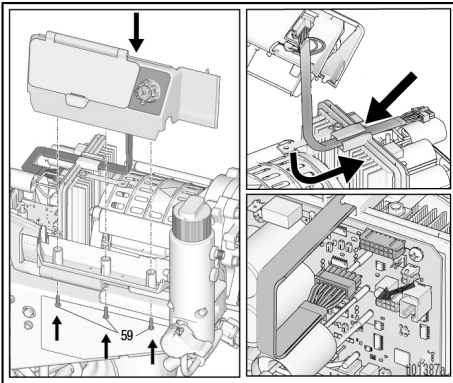


Installing the Potentiometer

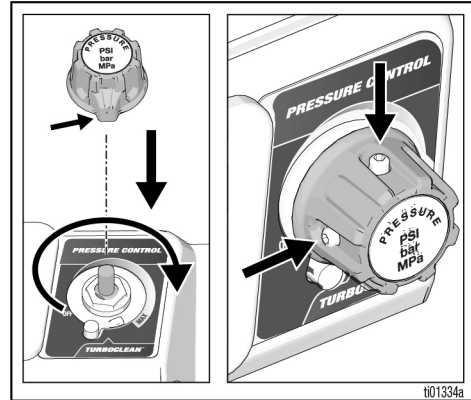


To avoid injury from electrical shock and moving parts, do not remove interior motor cover and wait five minutes after disconnecting power cord for stored electricity to dissipate.

1. Reassemble potentiometer by sliding it into place on the side shroud. Make sure that the wires are orientated down. Torque potentiometer retaining nut to 8-10 in-lbs. Route the potentiometer wire in bottom of side shroud and connect to display harness.



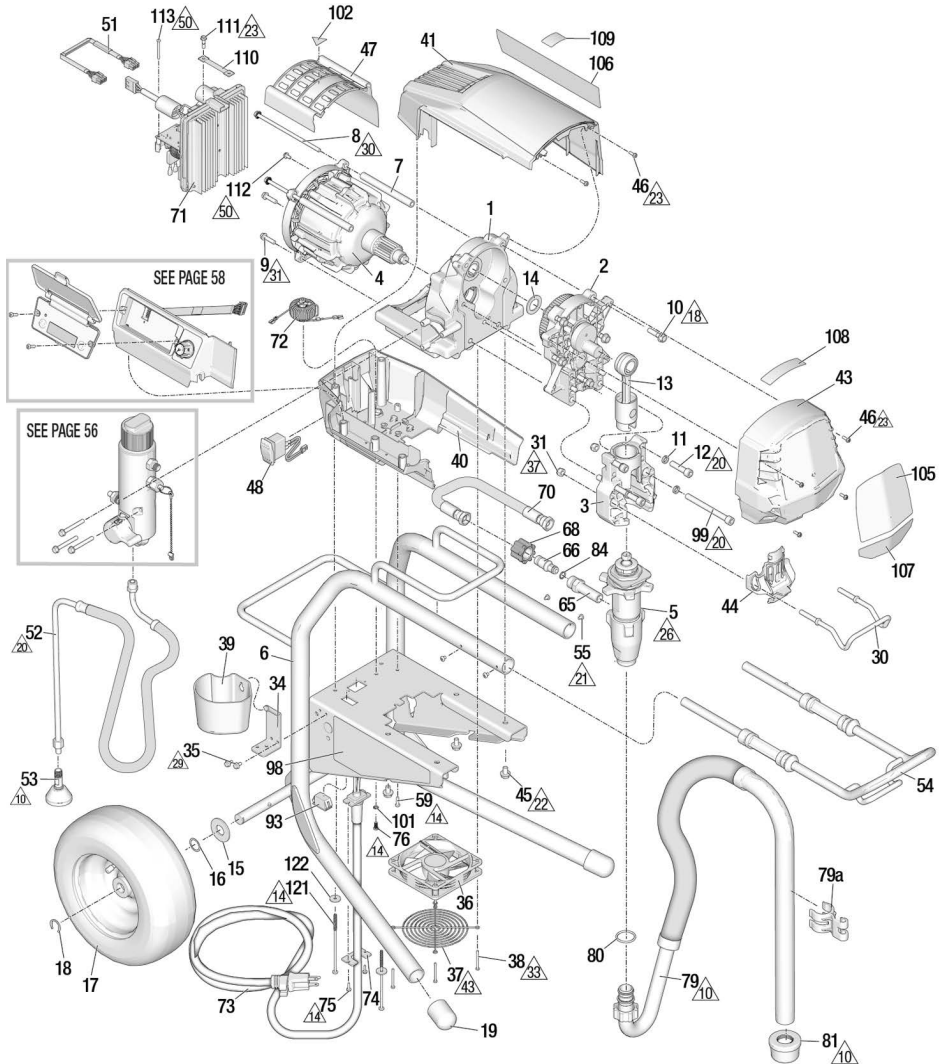
2. Rotate potentiometer shaft clockwise until it stops, then assemble gasket and knob with indicator pointed straight down (TurboClean position). Apply downward force to knob and tighten both set screws to create light drag on gasket. Torque set screws to 10-15 in-lbs.



3. Reassemble side shroud to bottom shroud. Torque screws to 12-16 in-lbs. Reconnect display harness to control board. Make sure to route display harness through locating feature on top side of control board.
4. Reassemble and replace shroud, see **Replacing the Shroud**, page 43.
5. Calibrate knob, see **Knob Calibration**, page 32.

Parts

695 XT LoBoy



19933

001113a

Ref.	Torque	Ref.	Torque	Ref.	Torque
10	Hand Tighten	23	20-25 in-lb (2.3-2.89 N•m)	37	85-95 in-lb (9.6-10.7 N•m)
14	12-16 in-lb (1.4-1.8 N•m)	26	70-80 ft-lb (95-108.5 N•m)	42	30-40 in-lb (3.4-4.5 N•m)
18	190-210 in-lb (21.5-23.7 N•m)	29	40-45 in-lb (4.5-5.2 N•m)	43	Assemble guard so it does not touch fan hub.
20	25-30 ft-lb (33.9-40.7 N•m)	30	70-75 in-lb (7.9-8.5 N•m)	50	30-35 in-lb (3.4-4.0 N•m)
21	22-28 in-lb (2.5-3.2 N•m)	31	140-160 in-lb (15.8-18 N•m)		
22	12-14 ft-lb (16.3-19.0 N•m)	33	6-8 in-lb (0.7-0.9 N•m)		

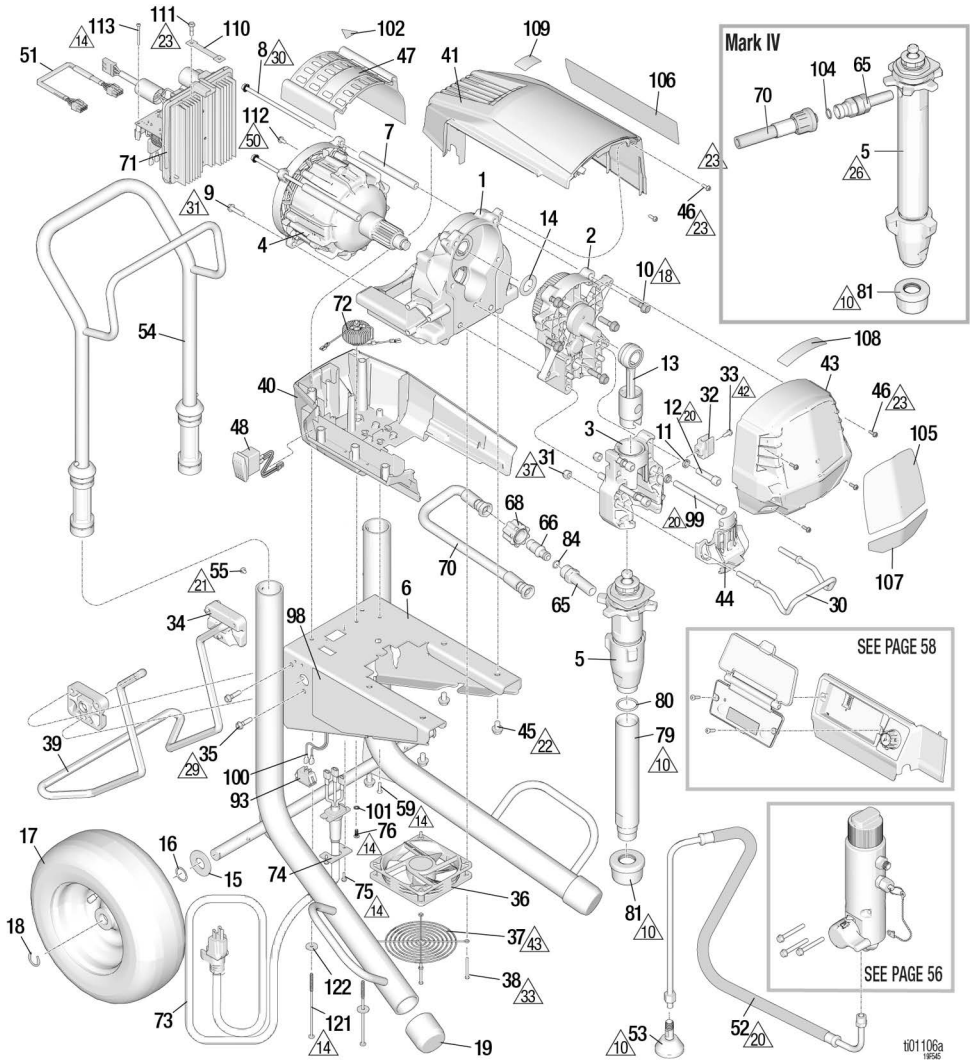
695 XT LoBoy Parts List

Ref.	Part	Description	Qty.	Ref.	Part	Description	Qty.
1	2003292	CHASSIS, <i>includes 45</i>	1	66	16X833	FITTING, quick disconnect	1
2	2003289	HOUSING, <i>includes 10, 14</i>	1	68	120583	NUT, hand	1
3	2003294	HOUSING, bearing, <i>includes 11, 12, 30, 31, 32, 33, 44, 99</i>	1	70	2003296	HOSE, coupled, <i>includes 66, 68, 84</i>	1
4	2003298	MOTOR, <i>includes 7, 8, 9, 47, 102</i>	1	71		BOARD, control	1
5	2001548	PUMP, displacement, <i>includes 65, 80</i>	1	2003254		100-120VAC	
6	20B190	FRAME, XT, 695 LoBoy	1	2003255		220-240VAC	
7	19B587	SPACER, tie rod, motor	2	72		CHOKE, ground, <i>includes 76, 101</i>	1
8	19C928	SCREW, cap	2	2003268		North America, Japan, Taiwan	
9	119426	SCREW, mach., hex washer hd.	2	2003269		Rest of World	
10	15C753	SCREW, mach., hex wash hd.	5	73	See pg. 60	CORD, power, <i>includes 74, 75</i>	1
11	106115	WASHER, lock	4	74	20B466	RETAINER, power cord	1
12	17E788	SCREW, cap, 3/8 x 1.5	2	75	2003004	SCREW, mach., slot, hex wash hd.	2
13	19D814	ROD, connecting, XT	1	76	2003504	SCREW, mach., serrated hex hd.	1
14	116191	WASHER, thrust	1	79	24A437	HOSE, LoBoy, sub-assembly, <i>includes 81</i>	1
15	156306	WASHER, flat	2	79a	15D000	CLIP, drain line	1
16	116038	WASHER, wave spring	2	80	118494	PACKING, O-Ring	1
17	119420	WHEEL, pneumatic	2	81	189920	KIT, strainer	1
18	15E891	CLIP, retaining	2	84	107505	PACKING, O-Ring	1
19	19D306	CAP, leg	2	91	See pg. 59	HOSE	1
30	16C457	HANGER, pail	1	93	16T483	PLUG	1
31	111040	NUT, lock, insert, nylon	2	98▲	See pg. 61	LABEL, safety, warning	1
34	15F952	BRACKET, drain cup	1	99	20B730	SCREW, cap, sch., 3/8 x 4.0, SST	2
35	114423	SCREW, hex hd.	2	101	100718	WASHER	1
36	19D923	FAN, 12V	1	102▲	2001766	LABEL, safety, warning, moving parts	1
37	19D924	GUARD, fan	1	105	See pg. 61	LABEL, brand, front	1
38	117683	SCREW, mach, phil pan hd.	4	106	See pg. 61	LABEL, brand, side	1
39	276975	CUP, drain	1	107	See pg. 61	LABEL, brand, Xtreme Torque	1
40	2003286	SHIELD, motor, bottom, <i>includes 48, 59</i>	1	108	See pg. 61	LABEL, brand, QR, XT	1
41	2003283	SHIELD, motor, top, <i>includes 46, 59</i>	1	109	16D576	LABEL, brand, Made in USA	1
43	2003281	COVER, front, <i>includes 46</i>	1	110	2002717	HARNES, ground, braided (230VAC models only)	1
44	20B130	COVER, pump rod	1	111	119791	SCREW, mach., hex wash hd. (230VAC models only)	1
45	111801	SCREW, cap, hex hd.	4	112	114391	SCREW, grounding (230VAC models only)	1
46	2001659	SCREW, mach, slot hex wash hd.	6	113	119236	SCREW (230VAC models only)	2
47	19D292	COVER, motor	1	121	2005199	SCREW, #10, 5 in.	2
48	116752	SWITCH, rocker	1	122	120339	WASHER, flat	2
51	19B596	HARNES, encoder	1				
52	20B648	HOSE, drain, XT, LoBoy	1				
53	241920	DEFLECTOR, threaded	1				
54	19D794	HANDLE, LoBoy, assy	1				
55	109032	SCREW, mach.	1				
59	19D307	SCREW, mach., torx pan hd.	1				
65	20B230	FITTING, pump	1				

▲ Replacement safety labels, tags, and cards are available at no cost.

Parts

695 XT, 795 XT, Mark IV Standard Hi-Boy



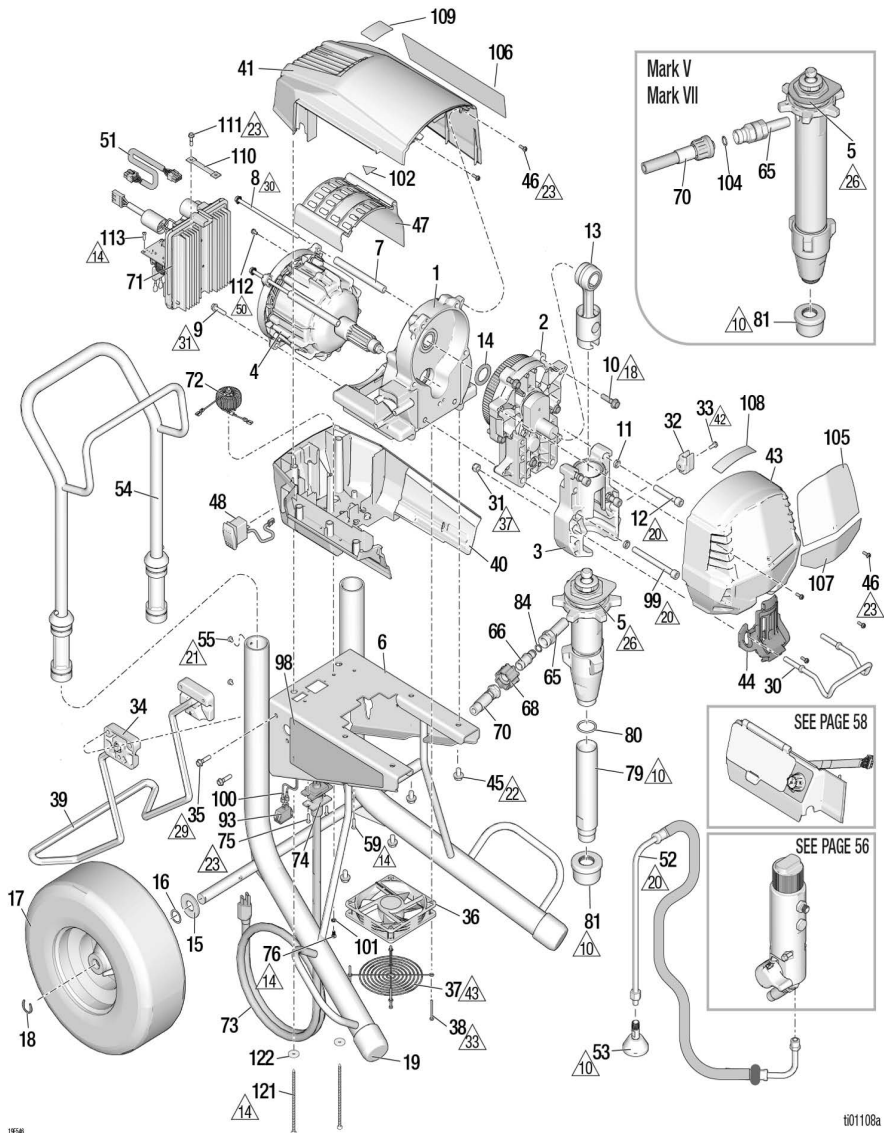
Ref.	Torque	Ref.	Torque	Ref.	Torque
10	Hand Tighten	23	20-25 in-lb (2.3-2.89 N•m)	37	85-95 in-lb (9.6-10.7 N•m)
14	12-16 in-lb (1.4-1.8 N•m)	26	70-80 ft-lb (95-108.5 N•m)	42	30-40 in-lb (3.4-4.5 N•m)
18	190-210 in-lb (21.5-23.7 N•m)	29	130-150 in-lb (14.7-17.0 N•m)	43	30-40 in-lb (3.4-4.5 N•m)
20	25-30 ft-lb (33.9-40.7 N•m)	30	70-75 in-lb (7.9-8.5 N•m)		Assemble guard so it does not touch fan hub.
21	22-28 in-lb (2.5-3.2 N•m)	31	140-160 in-lb (15.8-18 N•m)	50	30-35 in-lb (3.4-4.0 N•m)
22	12-14 ft-lb (16.3-19.0 N•m)	33	6-8 in-lb (0.7-0.9 N•m)		

695 XT, 795 XT, Mark IV Standard Hi-Boy Parts List

Ref.	Part	Description	Qty.	Ref.	Part	Description	Qty.
1	2003292	CHASSIS, <i>includes 45</i>	1	66	16X833	FITTING, quick disconnect (models 695/795 only)	1
2		HOUSING, drive, <i>includes 10, 14</i>	1	68	120583	NUT, hand (models 695/795 only)	1
	2003289	Model 695		70		HOSE, coupled	1
	2003290	Models 795/Mark IV		2003296		Models 695/795, <i>includes 66, 68, 84</i>	1
3	2003294	HOUSING, bearing, <i>includes 11, 12, 30, 31, 32, 33, 44, 99</i>	1	2003297		Model Mark IV, <i>includes 104</i>	1
4		MOTOR, <i>includes 7, 8, 9, 47, 102</i>	1	71		BOARD, control	1
	2003298	Model 695		2003256		110VAC (UK)	
	2003299	Models 795		2003254		100-120VAC	
	2005784	Mark IV		2003255		120-240VAC	
5		PUMP, displacement	1	72		CHOKER, ground, <i>includes 76, 101</i>	1
	2001548	Model 695, <i>includes 65, 80</i>		2003268		North America, Japan, Taiwan	
	2001573	Model 795, <i>includes 65, 80</i>		2003269		Rest of world	
	2001552	Model Mark IV, <i>includes 65</i>		73	See pg. 60	CORD, power, <i>includes 74, 75</i>	1
6	19D663	FRAME, XT, 695/795/Mark IV	1	74	20B466	RETAINER, power cord	1
7	19B587	SPACER, tie rod, motor	2	75	2003004	SCREW, mach., torx., self-tapping	2
8	19C928	SCREW, cap	2	76	2003504	SCREW, mach., serrated hex hd.	1
9	119426	SCREW, mach., hex washer hd.	2	79	19D828	TUBE, intake, XT (models 695/795 only)	1
10	15C753	SCREW, mach., hex wash hd.	5	80	118494	PACKING, O-Ring (models 695/795 only)	1
11	106115	WASHER, lock	4	81	189920	KIT, strainer	1
12	17E788	SCREW, cap, 3/8 x 1.5	2	84	107505	PACKING, O-Ring	1
13	19D814	ROD, connecting, XT	1	91	See pg. 59	HOSE	1
14	116191	WASHER, thrust	1	93	16T483	PLUG (220-240V, 695 models only)	1
15	156306	WASHER, flat	2	120059		SWITCH, rocker, 15-20 amp (100-120V, 795, Mark IV models only)	1
16	116038	WASHER, wave spring	2	97	See pg. 61	HOSE, whip, Mark IV only	1
17	119420	WHEEL, pneumatic	2	98▲	See pg. 61	LABEL, safety, warning	1
18	15E891	CLIP, retaining	2	99	20B730	SCREW, cap, sch., 3/8 x 4.0 SST	2
19	276974	CAP, leg	2	100	15G935	CABLE, amp switch (100-120V, 795, Mark IV models only)	1
30	16C457	HANGER, pail	1	101	100718	WASHER	1
31	111040	NUT, lock, insert, nylon	2	102▲	2001766	LABEL, safety, warning, moving parts	1
32	16X203	CLIP, drain line	1	104	102982	O-ring	1
33	118444	SCREW, mach., slot hex wash hd.	1	105	See pg. 61	LABEL, brand, front	1
34	15C982	CAM, cart	2	106	See pg. 61	LABEL, brand, side	1
35	114531	SCREW, mach., hex washer hd.	4	107	See pg. 61	LABEL, brand, Xtreme Torque	1
36	19D923	FAN, 12V	1	108	See pg. 61	LABEL, brand, QR, XT	1
37	19D924	GUARD, fan	1	109	16D576	LABEL, brand, Made in USA	1
38	117683	SCREW, mach., phil pan hd.	4	110	2002717	HARNES, ground, braided (230VAC and 110 UK)	1
39	19D921	SUPPORT, kickstand, universal, XT	1	111	119791	SCREW, mach., hex wash hd. (230VAC and 110 UK)	1
40	2003286	SHIELD, motor, bottom, <i>includes 48, 59</i>	1	112	114391	SCREW, grounding (230VAC and 110 UK)	1
41	2003283	SHIELD, motor, top, <i>includes 46, 59</i>	1	113	119236	SCREW (230VAC, 110 UK models only)	2
43	2003281	COVER, front, <i>includes 46</i>	1	121	2005199	SCREW, #10, 5 in.	2
44	20B130	COVER, pump rod	1	122	120339	WASHER, flat	2
45	111801	SCREW, cap, hex hd.	4				
46	2001659	SCREW, mach, slot hex wash hd.	6				
47	19D292	COVER, motor	1				
48	116752	SWITCH, rocker	1				
51	19B596	HARNES, encoder	1				
52	20B342	HOSE, drain, XT	1				
53	241920	DEFLECTOR, threaded	1				
54	24A250	HANDLE, assy	1				
55	109032	SCREW, mach.	4				
59	19D307	SCREW, mach., torx pan hd.	1				
65		FITTING, pump	1				
	20B230	Models 695/795					
	2004023	Model Mark IV					

▲ Replacement safety labels, tags, and cards are available at no cost.

1095 XT, Mark V, Mark VII Standard Hi-Boy



1958

h01108a

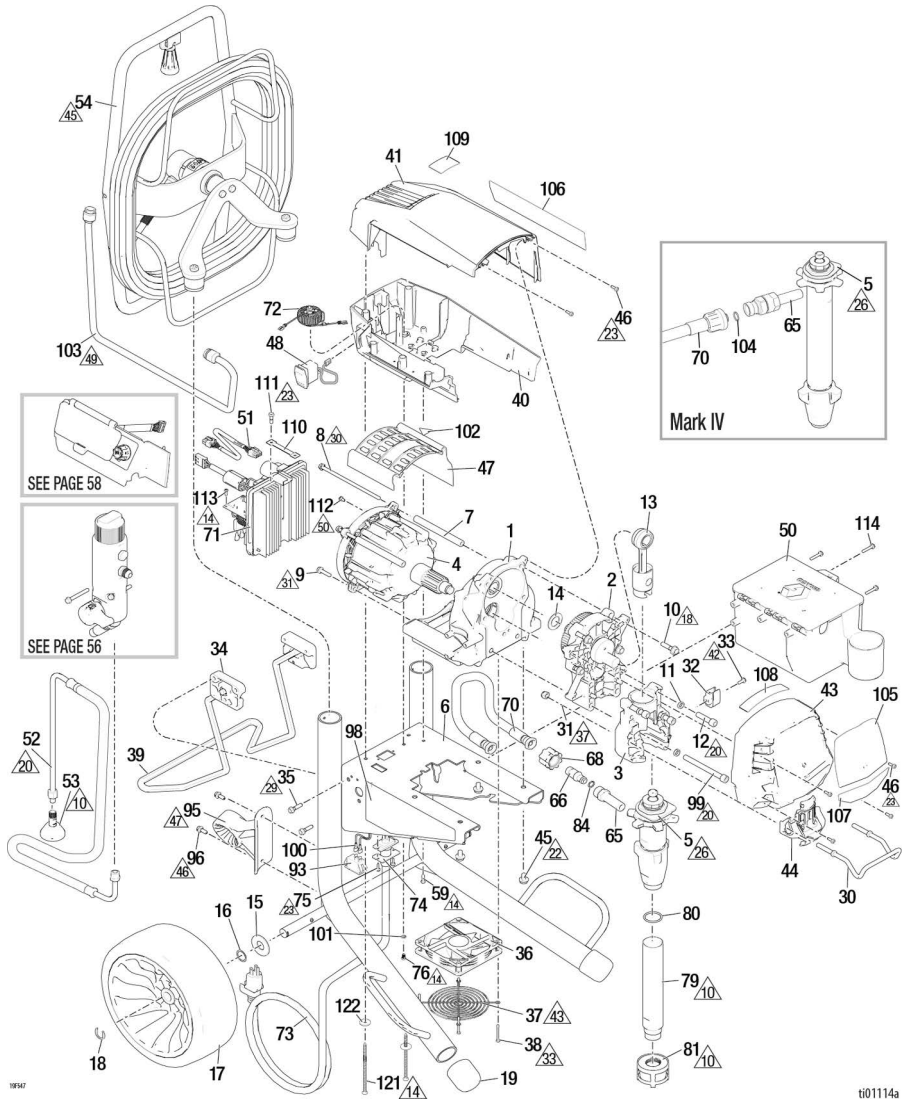
Ref.	Torque	Ref.	Torque	Ref.	Torque
10	Hand Tighten	23	20-25 in-lb (2.3-2.89 N•m)	37	85-95 in-lb (9.6-10.7 N•m)
14	12-16 in-lb (1.4-1.8 N•m)	26	105-115 ft-lb (142.8-156.4 N•m)	42	30-40 in-lb (3.4-4.5 N•m)
18	190-210 in-lb (21.5-23.7 N•m)	29	130-150 in-lb (14.7-17.0 N•m)	43	Assemble guard so it does not touch fan hub.
20	25-30 ft-lb (33.9-40.7 N•m)	30	70-75 in-lb (7.9-8.5 N•m)	50	30-35 in-lb (3.4-4.0 N•m)
21	22-28 in-lb (2.5-3.2 N•m)	31	140-160 in-lb (15.8-18 N•m)		
22	12-14 ft-lb (16.3-19.0 N•m)	33	6-8 in-lb (0.7-0.9 N•m)		

1095 XT, Mark V, Mark VII Standard Hi-Boy Parts List

Ref.	Part	Description	Qty.	Ref.	Part	Description	Qty.
1	2003293	CHASSIS, <i>includes 45</i>	1		2003296	Model 1095, <i>includes 66, 68, 84</i>	
2	2003291	HOUSING, drive, <i>includes 10, 14</i>	1		2003297	Models Mark V/Mark VII, <i>includes 104</i>	
3	2003295	HOUSING, bearing, <i>includes 11, 12, 30, 31, 32, 33, 44, 99</i>	1	71		BOARD, control	1
4		MOTOR, <i>includes 7, 8, 9, 47, 102</i>	1		2003256	110VAC (UK)	
	2003300	Model 1095			2003254	100-120VAC	
	2003301	Mark V		72	2003255	220-240VAC	
	2003302	Mark VII (EMEA)				CHOCKE, ground, <i>includes 76, 101</i>	1
5		PUMP, displacement	1		2003268	North America, Japan, Taiwan	
	2001550	Model 1095, <i>includes 65, 80</i>			2003269	Rest of world	
	2001554	Model Mark V, <i>includes 65</i>		73	See pg. 60	CORD, power, <i>includes 74, 75</i>	1
	2001556	Model Mark VII, <i>includes 65</i>		74	20B466	RETAINER, power cord	1
6	19D664	FRAME, XT, 1095/Mark V/Mark VII	1	75	2003004	SCREW, mach., torx., self-tapping	2
7	19B587	SPACER, tie rod, motor	2	76	2003504	SCREW, mach., serrated hex hd.	1
8	19C928	SCREW, cap	2	79	19F477	TUBE, intake (Model 1095 only)	1
9	119426	SCREW, mach., hex washer hd.	2	80	118494	PACKING, O-Ring (Model 1095 only)	1
10	15C753	SCREW, mach., hex wash hd.	5	81	189920	STRAINER	1
11	106115	WASHER, lock	4	84	107505	PACKING, O-Ring	1
12	17E789	SCREW, cap, 3/8 x 2,25	2	91	See pg. 59	HOSE	1
13	24V085	ROD, connecting	1	93		SWITCH, rocker	1
14	116192	WASHER, thrust	1		120059	Model 1095/Mark V 100-120V (15-20 amp)	
15	156306	WASHER, flat	2		126029	Model Mark VII (10-16 amp)	
16	116038	WASHER, wave spring	2		16T483	Model 1095/Mark V 220-240V (plug)	
17	119509	WHEEL, pneumatic	2	97	See pg. 61	HOSE, whip	1
18	15E891	CLIP, retaining	2	98▲	See pg. 61	LABEL, safety, warning	1
19	276974	CAP, leg	2	99	20B730	SCREW, cap, SCH, 3/8 x 4.0 SST	2
20	16C457	HANGER, pail	1	100	15G935	CABLE, amp switch (Models 1095/Mark V 100-120VAC sprayers/Mark VII only)	1
21	111040	NUT, lock, insert, nylon	2	101	100718	WASHER	1
22	16X203	CLIP, drain line	1	102▲	2001766	LABEL, safety, warning, moving parts	1
23	118444	SCREW, mach., slot hex wash hd.	1	104	102982	O-ring	1
24	15C982	CAM, cart	2	105	See pg. 61	LABEL, brand, front	1
25	114531	SCREW, mach., hex washer hd.	4	106	See pg. 61	LABEL, brand, side	1
26	19D923	FAN, 12V	1	107	See pg. 61	LABEL, brand, Xtreme torque	1
27	19D924	GUARD, fan	1	108	See pg. 61	LABEL, brand, QR, XT	1
28	117683	SCREW, pan head	4	109	16D576	LABEL, brand, Made in USA	1
29	19D921	SUPPORT, kickstand, universal, XT	1	110	2002717	HARNES, grounded, braided (230VAC and 110 UK models only)	1
30	2003287	SHIELD, motor, bottom, <i>includes 48, 59</i>	1	111	119791	SCREW, mach., hex wash hd. (230VAC and 110 UK models only)	1
31	2003284	SHIELD, motor, top, <i>includes 46, 59</i>	1	112	114391	SCREW, grounding (230VAC and 110 UK models only)	1
32	2003282	COVER, front, <i>includes 46</i>	1	113	119236	SCREW (230VAC, 110 UK models only)	2
33	20B131	COVER, pump rod	1	121	2005199	SCREW, #10, 5 in.	2
34	111801	SCREW, cap, hex hd.	4	122	120339	WASHER, flat	2
35	2001659	SCREW, mach, slot hex wash hd.	6				
36	19D292	COVER, motor	1				
37	116752	SWITCH, rocker	1				
38	19B596	HARNES, encoder	1				
39	20B342	HOSE, drain, XT	1				
40	241920	DEFLECTOR, threaded	1				
41	24A250	HANDLE, assy	1				
42	109032	SCREW, mach.	4				
43	19D307	SCREW, mach., torx pan hd.	2				
44	65	FITTING, pump	1				
45	20B230	Model 1095					
46	2004023	Models Mark V/Mark VII					
47	16X833	FITTING, quick disconnect (Model 1095 only)	1				
48	120583	NUT, hand (Model 1095 only)	1				
49	70	HOSE, coupled	1				

▲ Replacement safety labels, tags, and cards are available at no cost.

695 XT, 795 XT, Mark IV Pro Hi-Boy



Ref.	Torque	Ref.	Torque	Ref.	Torque
10	Hand Tighten	29	130-150 in-lb (14.7-17.0 N•m)	45	40-50 ft-lb (54.4-68.0 N•m)
14	12-16 in-lb (1.4-1.8 N•m)	30	70-75 in-lb (7.9-8.5 N•m)	46	40-50 in-lb (4.5-5.6 N•m)
18	190-210 in-lb (21.5-23.7 N•m)	31	140-160 in-lb (15.8-18 N•m)	47	Orient with arrow up
20	25-30 ft-lb (33.9-40.7 N•m)	33	6-8 in-lb (0.7-0.9 N•m)	49	38-42 ft-lb (51.7-57.1 N•m)
22	12-14 ft-lb (16.3-19.0 N•m)	37	85-95 in-lb (9.6-10.7 N•m)	50	30-35 in-lb (3.4-4.0 N•m)
23	20-25 in-lb (2.3-2.89 N•m)	42	30-40 in-lb (3.4-4.5 N•m)		
26	70-80 ft-lb (94.9-108.5 N•m)	43	Assemble guard so it does not touch fan hub.		

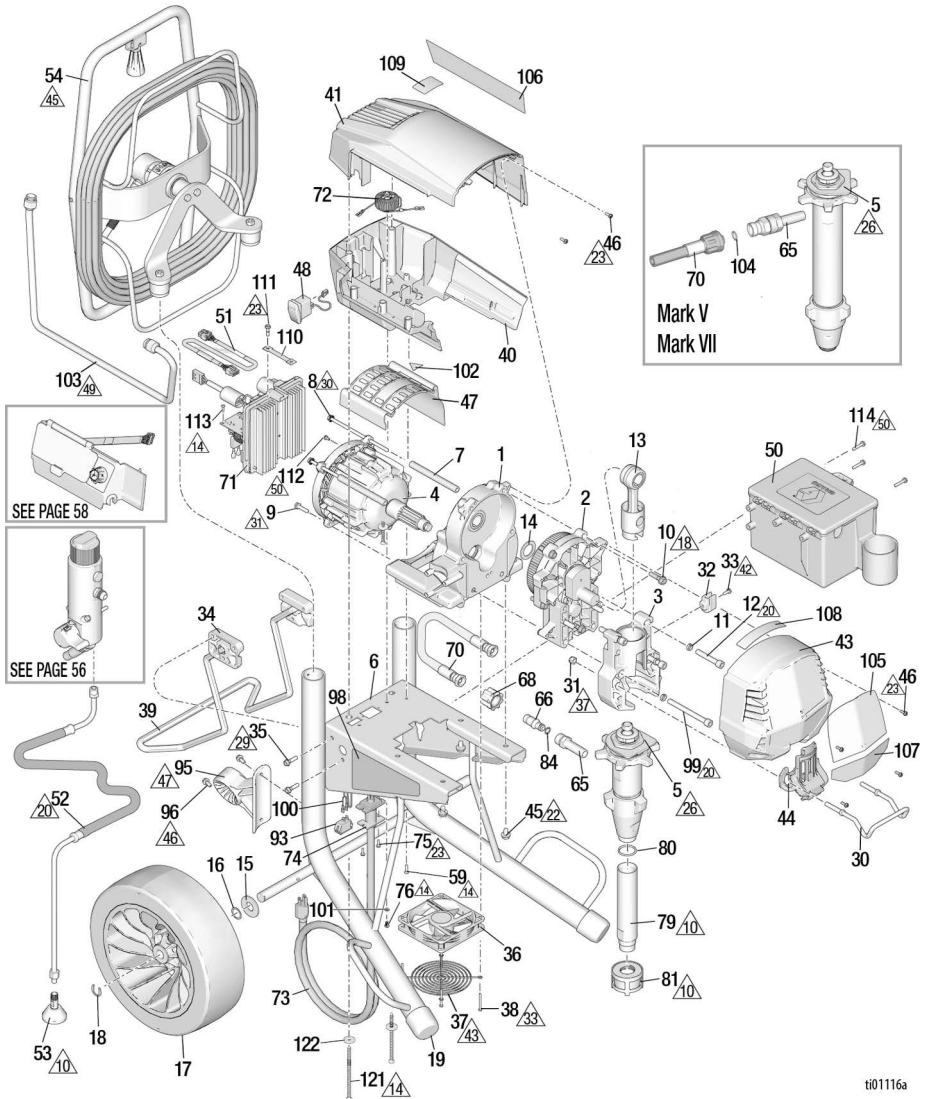
695 XT, 795 XT, Mark IV Pro Hi-Boy Parts List

Ref.	Part	Description	Qty.	Ref.	Part	Description	Qty.
1	2003292	CHASSIS, <i>includes 45</i>	1	66	16X833	FITTING, quick disconnect (Models 695/795 only)	1
2		HOUSING, drive, <i>includes 10, 14</i>	1	68	120583	NUT, hand (Models 695/795 only)	1
	2003289	Model 695		70		HOSE, coupled	1
	2003290	Models 795/Mark IV		2003296		Models 695/795, <i>includes 66, 68, 84</i>	
3	2003294	HOUSING, bearing, <i>includes 11, 12, 30, 31, 32, 33, 44, 99</i>	1	2003297		Model Mark IV, <i>includes 104</i>	
4		MOTOR, <i>includes 7, 8, 9, 47, 102</i>	1	71		BOARD, control	1
	2003298	Model 695		2003256		110VAC (UK)	
	2003299	Models 795		2003254		100-120VAC	
	2005784	Mark IV		2003255		220-240VAC	
5		PUMP, displacement	1	72		CHOKER, ground, <i>includes 76, 101</i>	1
	2001549	Model 695, <i>includes 65, 80</i>		2003268		North America, Japan, Taiwan	
	2001574	Model 795, <i>includes 65, 80</i>		2003269		Rest of world	
	2001553	Model Mark IV, <i>includes 65</i>		73	See pg. 60	CORD, power, <i>includes 74, 75</i>	1
6	19D663	FRAME, XT, 695/795/Mark IV	1	74	20B466	RETAINER, power cord	1
7	19B587	SPACER, tie rod, motor	2	75	2003004	SCREW, mach., torx., self-tapping	2
8	19C928	SCREW, cap	2	76	2003504	SCREW, mach., serrated hex hd.	1
9	119426	SCREW, mach., hex washer	2	79	19D828	TUBE, intake, XT (Models 695/795 only)	1
10	15C753	SCREW, mach., hex wash hd.	5	80	118494	PACKING, O-Ring (Models 695/795 only)	1
11	106115	WASHER, lock	4	81	15V573	STRAINER	1
12	17E788	SCREW, cap, 3/8 x 1.5	2	84	107505	PACKING, O-Ring	1
13	19D814	ROD, connecting, XT	1	91	See pg. 59	HOSE	1
14	116191	WASHER, thrust	1	93	16T483	PLUG (220-240V, 695 models only)	1
15	156306	WASHER, flat	2	120059		SWITCH, rocker, 15-20 amp (100-120V, 795, Mark IV models only)	1
16	116038	WASHER, wave spring	2	95	19D922	GUIDE, hose, XT, Pro	1
17	20B198	TIRE, polyurethane, black	2	96	117633	SCREW, slot, hex wash hd.	2
18	15E891	CLIP, retaining	2	98▲	See pg. 61	LABEL, safety, warning	1
19	276974	CAP, leg	2	99	20B730	SCREW, cap, SCH, 3/8 x 4.0 SST	2
30	16C457	HANGER, pail	1	100	15G935	CABLE, amp switch (100-120V, 795, Mark IV models only)	1
31	111040	NUT, lock, insert, nylon	2	101	100718	WASHER	1
32	16X203	CLIP, drain line	1	102▲	2001766	LABEL, safety, warning, moving parts	1
33	118444	SCREW, mach., slot hex wash hd.	1	103	2002230	TUBE, formed, XT	1
34	15C982	CAM, cart	2	104	102982	O-ring	1
35	114531	SCREW, mach., hex washer	4	105	See pg. 61	LABEL, brand, front	1
36	19D923	FAN, 12V	1	106	See pg. 61	LABEL, brand, side	1
37	19D924	GUARD, fan	1	107	See pg. 61	LABEL, brand, Xtreme torque	1
38	117683	SCREW, mach., hex washer	4	108	See pg. 61	LABEL, brand, QR, XT	1
39	19D921	SUPPORT, kickstand, universal, XT	1	109	16D576	LABEL, brand, Made in USA	1
40	2003286	SHIELD, motor, bottom, <i>includes 48, 59</i>	1	110	2002717	HARNES, grounded, braided (230VAC and 110 UK models only)	1
41	2003283	SHIELD, motor, top, <i>includes 46, 59</i>	1	111	119791	SCREW, mach., hex wash hd. (230VAC and 110 UK models only)	1
43	2003281	COVER, front, <i>includes 46</i>	1	112	114391	SCREW, grounding (230VAC and 110 UK models only)	1
44	20B130	COVER, pump rod	1	113	119236	SCREW (230VAC, 110 UK models only)	2
45	111801	SCREW, cap, hex hd.	4	114	118852	SCREW	3
46	2001659	SCREW, mach, slot hex wash hd.	6	121	2005199	SCREW, #10, 5 in.	2
47	19D292	COVER, motor	1	122	120339	WASHER, flat	2
48	116752	SWITCH, rocker	1				
50	287253	KIT, tool box, EMEA and UK models, <i>includes 114</i>	1				
51	19B596	HARNES, encoder	1				
52	20B342	HOSE, drain, XT	1				
53	241920	DEFLECTOR, threaded	1				
54	25V145	REEL, hose, XT, <i>includes 77, 84, 95, 96, 103</i>	1				
59	19D307	SCREW, mach., torx pan hd.	1				
65		FITTING, pump	1				
	20B230	Models 695/795					
	2004023	Model Mark IV					

▲ Replacement safety labels, tags, and cards are available at no cost.

Parts

1095 XT, Mark V, Mark VII, Pro Hi-Boy



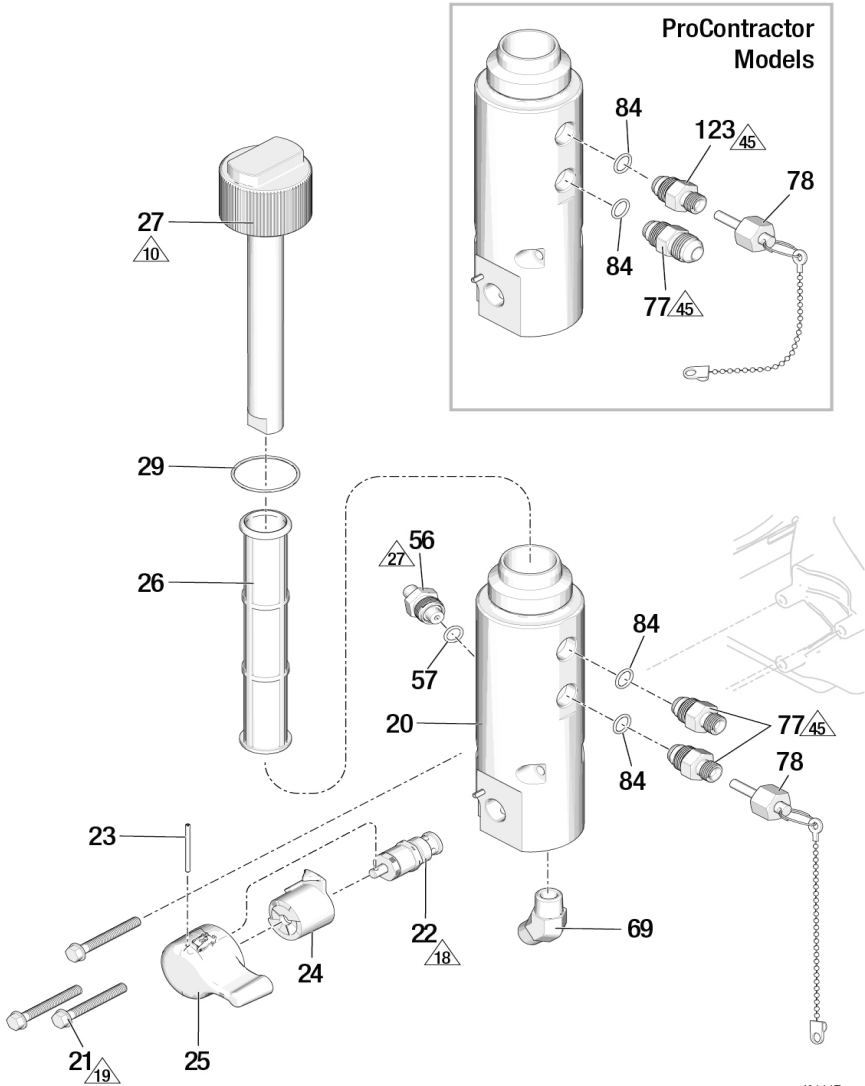
Ref.	Torque	Ref.	Torque	Ref.	Torque
10	Hand Tighten	29	130-150 in-lb (14.7-17.0 N•m)	45	40-50 ft-lb (54.4-68.0 N•m)
14	12-16 in-lb (1.4-1.8 N•m)	30	70-75 in-lb (7.9-8.5 N•m)	46	40-50 in-lb (4.5-5.6 N•m)
18	190-210 in-lb (21.5-23.7 N•m)	31	140-160 in-lb (15.8-18 N•m)	47	Orient with arrow up
20	25-30 ft-lb (33.9-40.7 N•m)	33	6-8 in-lb (0.7-0.9 N•m)	49	38-42 ft-lb (51.7-57.1 N•m)
22	12-14 ft-lb (16.3-19.0 N•m)	37	85-95 in-lb (9.6-10.7 N•m)	50	30-35 in-lb (3.4-4.0 N•m)
23	20-25 in-lb (2.3-2.89 N•m)	42	30-40 in-lb (3.4-4.5 N•m)		
26	105-115 ft-lb (142.8-156.4 N•m)	43	Assemble guard so it does not touch fan hub.		

1095 XT, Mark V, Mark VII, Pro Hi-Boy Parts List

Ref.	Part	Description	Qty.	Ref.	Part	Description	Qty.
1	2003293	CHASSIS, <i>includes 45</i>	1	2003296	Model 1095, <i>includes 66, 68, 84</i>		
2	2003291	HOUSING, drive, <i>includes 10, 14</i>	1	2003297	Models Mark V/Mark VII, <i>includes 104</i>		
3	2003295	HOUSING, bearing, <i>includes 11, 12, 30, 31, 32, 33, 44, 99</i>	1	71	BOARD, control		1
4		MOTOR, <i>includes 7, 8, 9, 47, 102</i>	1	2003256	110VAC (UK)		
	2003300	Models 1095		2003254	100-120VAC		
	2003301	Mark V		2003255	220-240VAC		
	2003302	Mark VII (EMEA)		72	CHOKE, ground, <i>includes 76, 101</i>		1
5		PUMP, displacement	1	2003268	North America, Japan, Taiwan		
	2001551	Model 1095, <i>includes 65, 80</i>		2003269	Rest of world		
	2001555	Model Mark V, <i>includes 65</i>		73	See pg. 60	CORD, power, <i>includes 74, 75</i>	1
	2001557	Model Mark VII, <i>includes 65</i>		74	20B466	RETAINER, power cord	1
6	19D664	FRAME, XT, 1095/Mark V/Mark VII	1	75	2003004	SCREW, mach., torx., self-tapping	2
7	19B587	SPACER, tie rod, motor	2	76	2003504	SCREW, mach., serrated hex hd.	1
8	19C928	SCREW, cap	2	79	19F477	TUBE, intake, XT (Model 1095 only)	1
9	119426	SCREW, mach., hex washer hd.	2	80	118494	PACKING, O-Ring (Model 1095 only)	1
10	15C753	SCREW, mach., hex wash hd.	5	81	15V573	STRAINER	1
11	106115	WASHER, lock	4	84	107505	PACKING, O-Ring	1
12	17E789	SCREW, cap, 3/8 x 2.25	2	91	See pg. 59	HOSE	
13	24V085	ROD, connecting	1	93		SWITCH, rocker	1
14	116192	WASHER, thrust	1	120059		Models 1095/Mark V 100-120V (15-20 amp)	
15	156306	WASHER, flat	2	126029		Model Mark VII (10-16 amp)	
16	116038	WASHER, wave spring	2	16T483		Models 1095/Mark V 220-240V (plug)	
17	17E687	TIRE, polyurethane, black, 13 in.	2	95		GUIDE, hose, XT, Pro	1
18	15E891	CLIP, retaining	2	19D922		1095 and Mark V	
19	276974	CAP, leg	2	2002139		Mark VII	
30	16C457	HANGER, pail	1	96	117633	SCREW, slot, hex wash hd.	2
31	111040	NUT, lock, insert, nylon	2	98▲	See pg. 61	LABEL, safety, warning	1
32	16X203	CLIP, drain line	1	99	20B730	SCREW, cap, SCH, 3/8 x 4.0 SST	2
33	118444	SCREW, mach., slot hex wash hd.	1	100	15G935	CABLE, amp switch (Model 1095/Mark V 100-120VAC sprayers/Mark VII only)	1
34	15C982	CAM, cart	2	101	100718	WASHER	1
35	114531	SCREW, mach., hex washer hd.	4	102▲	2001766	LABEL, safety, warning, moving parts	1
36	19D923	FAN, 12V	1	103	2002230	TUBE, formed, XT	1
37	19D924	GUARD, fan	1	104	102982	O-ring	1
38	117683	SCREW, mach., hex washer hd.	4	105	See pg. 61	LABEL, brand, front	1
39	19D921	SUPPORT, kickstart, universal, XT	1	106	See pg. 61	LABEL, brand, side	1
40	2003287	SHIELD, motor, bottom, <i>includes 48, 59</i>	1	107	See pg. 61	LABEL, brand, Xtreme torque	1
41	2003284	SHIELD, motor, top, <i>includes 46, 59</i>	1	108	See pg. 61	LABEL, brand, QR, XT	1
43	2003282	COVER, front, <i>includes 46</i>	1	109	16D576	LABEL, brand, made in USA	1
44	20B131	COVER, pump rod	1	110	2002717	HARNES, grounded, braided (230VAC and 110UK models only)	1
45	111801	SCREW, cap, hex hd.	4	111	119791	SCREW, mach., hex wash hd. (230VAC and 110 UK models only)	1
46	2001659	SCREW, mach, slot hex wash hd.	6	112	114391	SCREW, grounding (230VAC and 110 UK models only)	1
47	19D292	COVER, motor	1	113	119236	SCREW (230 VAC, 110 UK models only)	2
48	116752	SWITCH, rocker	1	114	118852	SCREW	3
50	287253	KIT, tool box (EMEA and UK models only), <i>includes 114</i>	1	121	2005199	SCREW, #10, 5 in.	2
51	19B596	HARNES, encoder	1	122	120339	WASHER, flat	2
52	20B342	HOSE, drain, XT	1				
53	241920	DEFLECTOR, threaded	1				
54		REEL, hose, XT, <i>includes 77, 84, 95, 96, 103</i>	1				
	25V145	Models 1095/Mark V					
	25V146	Model Mark VII					
59	19D307	SCREW, mach., torx pan hd.	2				
65		FITTING, pump	1				
	20B230	Model 1095					
	2004023	Models Mark V/Mark VII					
66	16X833	FITTING, quick disconnect (Model 1095 only)	1				
68	120583	NUT, hand (Model 1095 only)	1				
70		HOSE, coupled	1				

▲ Replacement safety labels, tags, and cards are available at no cost.

Filter



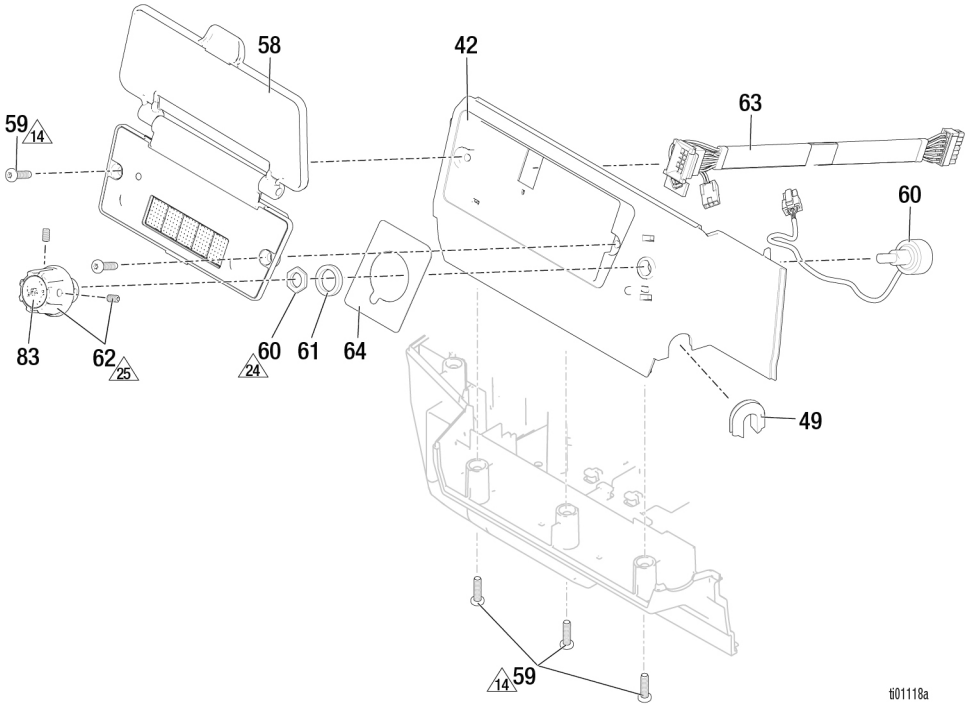
t01117a

Ref.	Torque	Ref.	Torque	Ref.	Torque
10	Hand Tighten	19	100-120 in-lb (11.3-13.6 N•m)	45	40-50 ft-lb (54.4-68.0 N•m)
18	190-210 in-lb (21.5-23.7 N•m)	27	35-45 ft-lb (47.5-61.0 N•m)		

Filter Parts List

Ref.	Part	Description	Qty.
20	19D919	BASE, filter, XT	1
21	120091	SCREW	3
22	24B156	VALVE, prime, heavy duty	1
23	15C972	PIN, spring	1
24	24A382	BASE, valve, heavy duty	1
25	24E234	HANDLE, prime valve, heavy duty	1
26		KIT, filter, mesh	1
	244067	60 mesh (original equipment)	
	244068	100 mesh	
	244069	200 mesh	
	244071	30 mesh	
27	2003271	TUBE, diffusion, <i>includes 29</i>	1
		CAP, filter	1
29	117285	PACKING, O-ring	1
56	2003348	TRANSDUCER, pressure control, <i>includes 57 and part no. 19C988 (see digital display #49)</i>	
57	111457	PACKING, O-ring	1
69		FITTING, elbow, 3/8 npt	1
	20B233	Models 695/795/1095	
	122533	Models Mark IV/Mark V/Mark VII	
77		ADAPTER, nipple, <i>includes 84</i>	
	2003277	Models 695/795/1095 Standard and Lo-Boy	2
	2003278	Models Mark IV/Mark V Standard	2
	2003279	Model Mark VII Standard	2
	2003280	Model ProContractor (all models)	1
78		PLUG, packless	1
	2005275	1/4 in., Models 695, 795, 1095	
	2005276	3/8 in., Models Mark IV, Mark V	
	2005277	1/2 in., Models Mark VII	
84	107505	PACKING, O-ring	2
123		KIT, outlet, fluid filter	1
	2003277	Models 695/795/1095 Procontractor	
	2003278	Models Mark IV, Mark V Procontractor	
	2003279	Models Mark VII Procontractor	

Digital Display



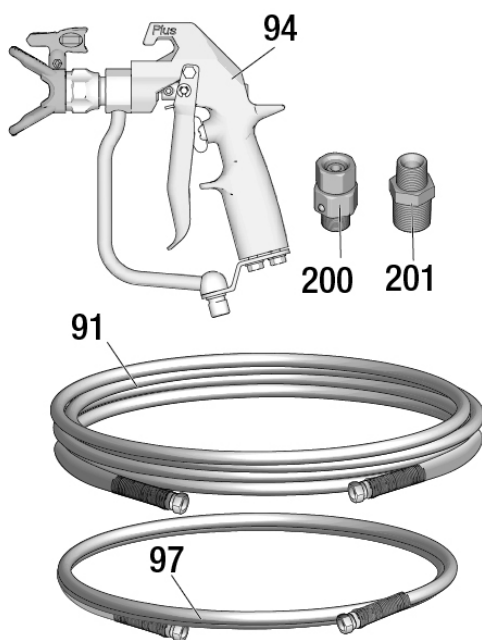
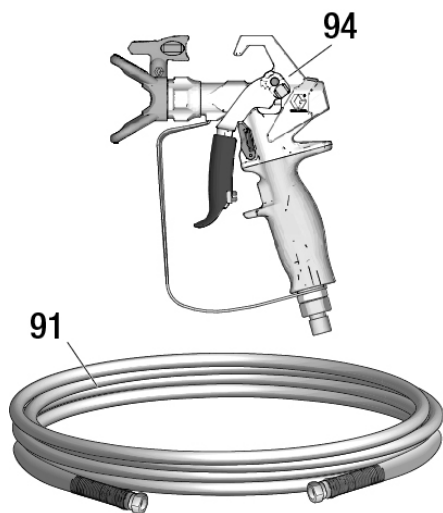
t01118a

Ref.	Torque	Ref.	Torque	Ref.	Torque
14	12-16 in-lb (1.4-1.8 N•m)	24	8-10 in-lb (0.9-1.1 N•m)	25	10-15 in-lb (1.1-1.7 N•m)

Digital Display Parts List

Ref.	Part	Description	Qty.
42	2003288	SHIELD, motor, side, <i>includes 49, 59, 64</i>	1
49	19C988	GROMMET, transducer	1
58		MODULE, display, <i>includes 59</i>	1
	20B432	ProContractor/Bluelink	
	20B431	Display only	
59	19D307	SCREW, mach., torx pan hd.	5
60	2003350	POTENTIOMETER, assy	1
61	15C973	GASKET	1
62	19C986	KNOB, potentiometer	1
63	19C527	HARNES, display	1
64	19C998	LABEL, brand, control	1
83	19D678	LABEL, control	1

Spray Gun and Hose

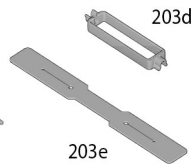
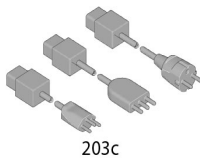
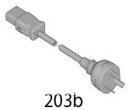
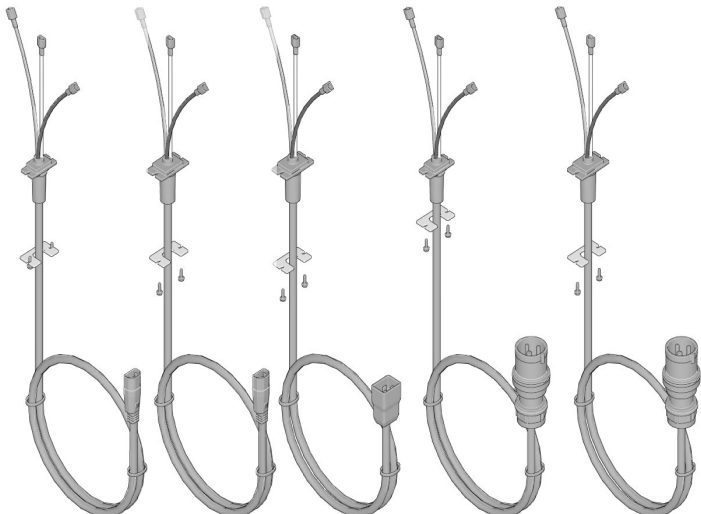
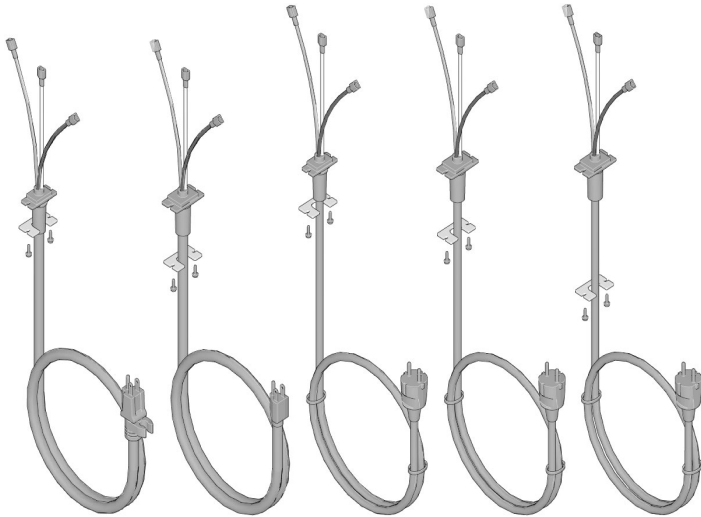


ti34939d

Spray Gun and Hose Parts List

Ref.	Part	Description	Qty.
91	240794	HOSE, coupled 695/795/1095 XT, 1/4 in. x 50 ft.	1
	826079	695/795/1095 Ultimate, 1/4 in. x 50 ft	
	245225	Mark IV/Mark V, 3/8 in. x 50 ft	
	278499	Mark VII, 1/2 in. x 50 ft	
94		SPRAY GUN	1
	17Y043	695/795/1095 XT, North America, EMEA	
	17Y044	695/795/1095 XT, Asia	
	826252	695/795/1095 Ultimate	
	241705	Mark V, North America and ANZ, KO	
	289605	Mark V/Mark VII, EMEA and UK	
	246468	Mark IV	
97		HOSE, whip	1
	241735	Mark IV/Mark V, 1/4 in. x 3 ft	
	191239	Mark VII, 3/8 in. x 11 ft	
200	189018	SWIVEL, Mark V/Mark VII	1
201		BUSHING	1
	159841	Mark IV/Mark V/Mark VII	
	159239	Mark VII	

Power Cords



ti01393a

Power Cord Parts List

Ref.	Part	Description	Qty.
		CORD, power	1
73a	2003257	Part No.: 19F545, 19F547, 19F553, 20B963, 20B964, 826295, 826297, 826296, 19F710, 826298, 19F711,, 826299, 19F549, 19F551	
73b	2003259	Part No: 19F727, 19F729, 19F731, 19F733	
73c	2003266	Part No: 19F728, 19F730, 19F732, 19F734	
73d	2003262	Part No: 19F714, 20B951, 19F713, 20B953, 19F717, 19F712, 19F715	
73e	2003258	Part No: 19F546, 826300, 19F548, 826301, 20B965, 19F550, 19F552, 19F725	
73f	2003263	Part No: 19F720, 20B955, 19F721, 19F723, 19F724, 20B959	
73g	2003260	Part No: 19F735, 19F736, 19F739, 19F741	
73h	2003267	Part No: 19F740, 19F742	
73J	2003261	Part No: 19F743, 19F744	
73K	2003264	Part No: 20B961	
		ADAPTER, cord	1
203a	242001	CEE 10 amp (Part No: 19F714, 20B951, 19F713, 20B953, 19F717, 19F720, 20B955, 19F721, 19F723, 20B959, 19F724)	
203b	242005	ANZ, 10 amp (Part No: 19F714, 19F713, 19F717, 19F720, 19F721, 19F723, 19F724, 19F712, 19F715)	
203c	287121	Italy, Denmark, Switzerland, 10 amp (Part No: 20B951, 20B953, 20B955, 20B959)	
	253103	CEE, Italy, Switzerland, 16 amp (Part No: 20B961)	
		RETAINER, Cord	1
203d	195551	Part No: 19F714, 20B951, 19F713, 20B953, 19F717, 19F720, 20B955, 19F721, 19F723, 20B959, 19F724, 19F712, 19F715	
203e	121249	Part No: 20B961	
203f	244285	Part No. 20B963, 20B964, 20B965, 19F725	

Parts

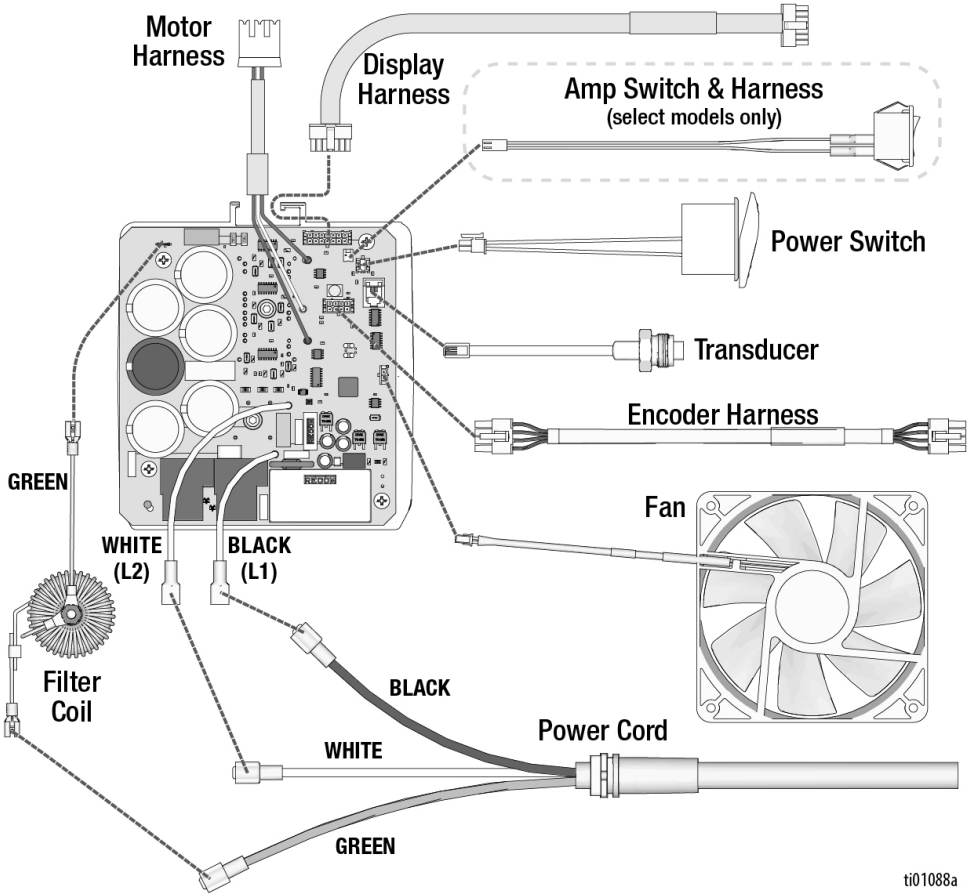
Sprayer Model Number	Medical Label ▲	Ref. 98 Warning Label ▲	Ref. 105 Front Label	Ref. 106 Side Label	Ref. 107 XT Label	Ref. 108 QR Label												
19F545	179960	18D884	2002271	2002280	2002289	2002410												
19F547						2002411												
19F553						2002272	2002281	2002410										
19F710								2002411										
19F711								2004238										
826295								2004239										
826297			2004238															
826296																		
826298			2002278	20002287		2004239												
826299																		
19F546			2002273	2002282		2002290	2002410											
826300							2002279	2002288	2004238									
19F548			2002273	2002282	2002411													
826301					2002279		2002288	2004239										
19F549			2002274	2002283	2002410													
19F551					2002275		2002284	2002411										
19F552			16G596	2002271		2002280		2002289	2002410									
19F727					2002272		2002281		2002411									
19F728		2002273							2002282	2002290	2002410							
19F729											2002275	2002284	2002411					
19F730													2002276	2002285	2002410			
20B951															2002277	2002286	2002411	
20B953				2002278		2002287											2002410	
19F731					2002279		2002288										2002410	
19F732		2002280							2002289	2002410								
19F733										2002281	2002290	2002410						
19F734												2002282	2002291	2002410				
20B955														2002283	2002292	2002410		
19F735				2002284		2002293		2002410										
19F736					2002285		2002294	2002410										
19F739		2002286						2002295	2002410									
20B959									2002287	2002296	2002410							
19F740	2002288										2002297	2002410						
19F741												2002289	2002298	2002410				
19F742			2002290	2002299		2002410												
19F743					2002291	2002300	2002410											
19F744		2002292					2002301	2002410										
20B961								2002293	2002302	2002410								
19F720	17A134									18D885	2002273			2002282	2002289	2002410		
19F714												2002271	2002280			2002289	2002410	
19F712			2002272	2002281													2002290	2002410
19F715					2002273	2002282												2002291
19F713		2002275					2002284											
19F717								2002276	2002285									
19F721	2002277									2002286	2002294			2002410				
19F550												18D884	2002290	2002290	2002410			
19F723			18D885	2002291								2002291			2002410			
19F724					2002275	2002284									2002290	2002410		
19F725		26A998	2003469		2002271	2002280	2002289								2002410			
20B963								2002273	2002282						2002290	2002410		
20B964	2002275									2002284	2002291					2002410		
20B965													2002277	2002286		2002292	2002410	

▲ Replacement safety labels, tags, and cards are available at no cost.

Wiring Diagrams

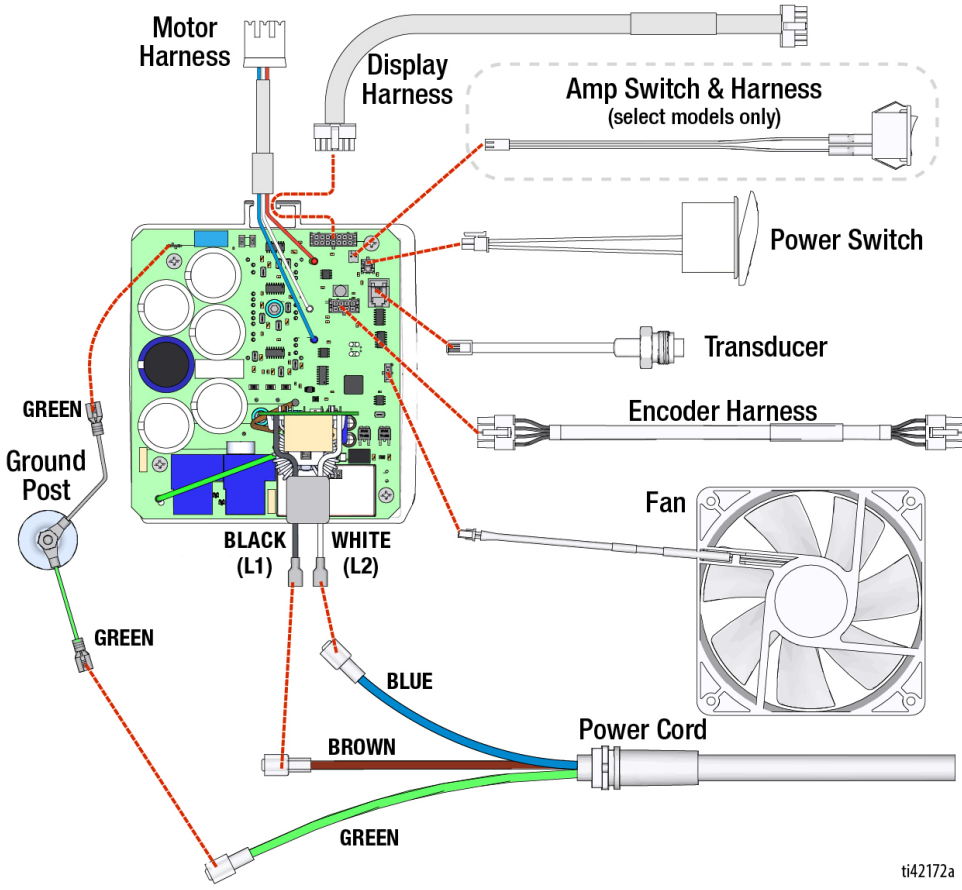
Wiring Diagrams

100-120V



ti01088a

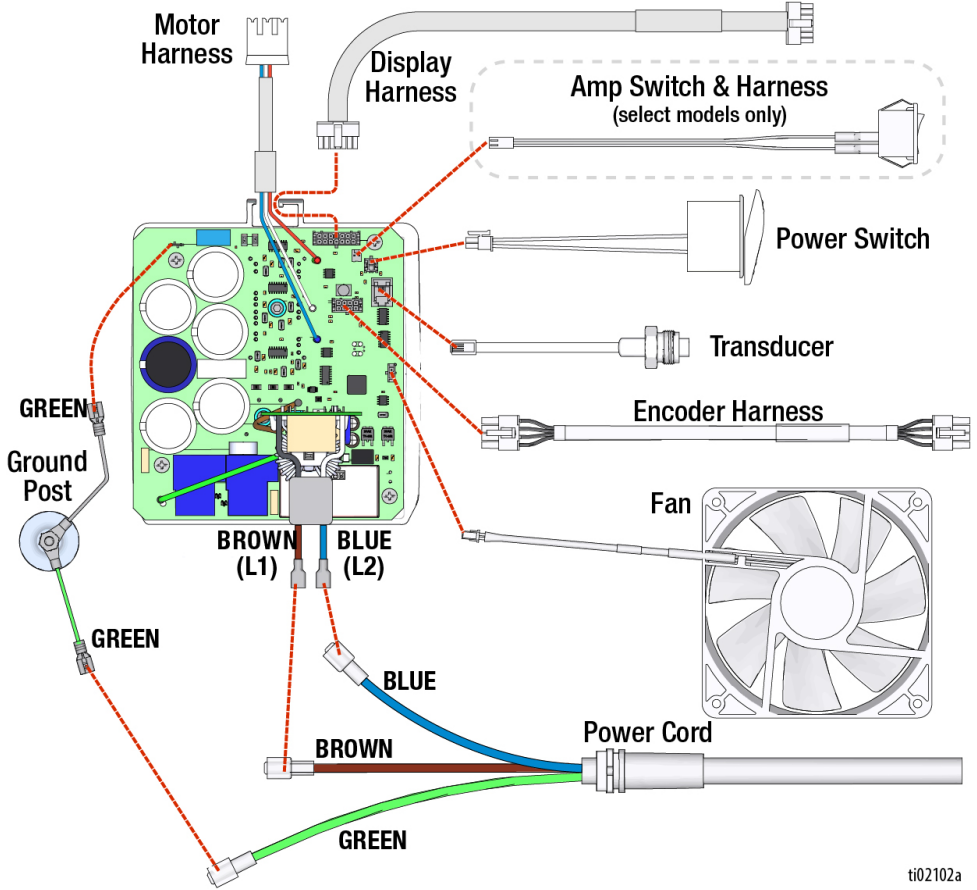
110V UK



ti42172a

Wiring Diagrams

220-240V



ti02102a

Technical Specifications


	US	Metric
Sprayer		
Maximum fluid working pressure	3300 psi	228 bar, 22.8 MPa
Maximum Delivery		
695 XT	1.05 gpm	4.0 lpm
795 XT/Mark IV XT	1.2 gpm	4.5 lpm
1095	1.3 gpm	4.9 lpm
Mark V XT	1.5 gpm	5.6 lpm (110V) / 4.6 lpm (230V) / 4.7 lpm (220V)
Mark VII	NA	6.4 lpm
Maximum Tip Size		
695 XT		0.031
795 XT		0.033
1095 XT		
110-120V Models		0.037
220-240V Models		0.035
Mark IV XT		0.033
Mark V XT		
110-120V Models		0.039
220-240V Models		0.035
Mark VII XT		0.041
Fluid Outlet npsm		
695 XT, 795 XT, 1095 XT		1/4 in.
Mark IV XT, Mark V XT		3/8 in.
Mark VII XT		1/2 in.
Generator Minimum		5000 W
Power Requirements		
695 XT	100-120 VAC, 15 Amp. 50-60 Hz	220-240 VAC, 10 Amp. 50-60 Hz
795 XT, Mark IV XT, 1095 XT, Mark V XT	100-120 VAC, 20 Amp. 50-60 Hz	220-240 VAC, 10 Amp. 50-60 Hz
Mark VII XT	N/A	220-240 VAC, 16 Amp. 50-60 Hz
Ambient Rating	32-108° F (0-42° C)	
Sprayer Dimensions		
Lo-Boy		
Height	28.0 in.	71.1 cm
Length (Handle Retracted)	29.5 in.	74.9 cm
Length (Handle Extended)	35.0 in.	88.9 cm
Width	22.3 in.	56.6 cm
Weight (sprayer, hose, gun)	90 lbs.	41 kg
Standard, 695 XT/795 XT/Mark IV XT		
Height (Handle Retracted)	30.5 in.	77.5 cm
Height (Handle Extended)	40.2 in.	102.1 cm
Length	25.3 in.	64.3 cm
Width	22.3 in.	56.6 cm
695/795 Weight (sprayer, hose, gun)	93 lbs.	42 kg
Mark IV Weight (sprayer, hose, gun)	103 lbs.	47 kg
Standard, 1095 XT/Mark V XT/Mark VII XT		
Height (Handle Retracted)	30.5 in.	77.5 cm
Height (Handle Extended)	40.2 in.	102.1 cm
Length	25.9 in.	65.8 cm
Width	24.4 in.	62.0 cm
1095 Weight (sprayer, hose, gun)	112 lbs.	51 kg
Mark V Weight (sprayer, hose, gun)	122 lbs.	55 kg
Mark VII Weight (sprayer, hose, gun)	126 lbs.	57 kg
ProContractor, 695 XT/795 XT/Mark IV XT		
Height (Quick Reel Handle Vertical)	41.3 in.	104.9 cm

Technical Specifications

Length	27.5 in.	69.9 cm			
Width (Quick Reel Handle Vertical)	22.6 in.	57.4 cm			
Width (Quick Reel Handle Horizontal)	25.5 in.	64.8 cm			
695/795 Weight (sprayer, hose, gun)	112 lbs.	51 kg			
Mark IV Weight (sprayer, hose, gun)	122 lbs.	55 kg			
ProContractor, 1095 XT/Mark V XT/ Mark VII XT					
Height (Quick Reel Handle Vertical)	41.5 in.	105.4 cm			
Length	28.0 in.	71.1 cm			
Width (Quick Reel Handle Vertical)	24.2 in.	61.5 cm			
Width (Quick Reel Handle Horizontal)	25.5 in.	64.8 cm			
1095 Weight (sprayer, hose, gun)	129 lbs.	59 kg			
Mark V Weight (sprayer, hose, gun)	140 lbs.	64 kg			
Mark VII Weight (sprayer, hose, gun)	147 lbs.	67 kg			
All Sprayers					
Materials of Construction					
Wetted materials	Zinc- and nickel-plated carbon steel, nylon, stainless steel, PTFE, Acetal, leather, UHMWPE, aluminum, tungsten carbide, polyethylene, fluoroelastomer, urethane				
Noise** (dBA) @ 3300 psi (22.8 Mpa, 228 bar)					
Sound Pressure **					
695 XT/795 XT/Mark IV XT	63 dBA				
1095 XT/Mark V XT/Mark VII XT	79 dBA				
Sound Power **					
695 XT/795 XT/Mark IV XT	77 LwA				
1095 XT/Mark V XT/Mark VII XT	89 LwA				
Notes					
<i>** Sound pressure measured 3 feet (1 meter) from equipment.</i>					
<i>** Sound power measured per ISO-9614.</i>					
All trademarks or registered trademarks are the property of their respective owners.					
Graco Date Code					
Graco Date Code/Serial Code	Month (First Character)	Year (2nd and 3rd Characters)	Series (4th Character)	Part Number (5th-10th Characters)	Series (11th-16th Characters)
Example Date Code: A16A	A = January	16 = 2016	A= Serial Control Number		
Example Date Code: L16A232749000102	L = December	16 = 2016	A = Serial Control Number	6 digit alphanumeric part number	6 digit sequential serial number

California Proposition 65

CALIFORNIA RESIDENTS

 **WARNING:** Cancer and reproductive harm –
www.P65warnings.ca.gov.

Graco Standard Warranty

Graco Standard Warranty

Graco warrants all equipment referenced in this document which is manufactured by Graco and bearing its name to be free from defects in material and workmanship on the date of sale to the original purchaser for use. With the exception of any special, extended, or limited warranty published by Graco, Graco will, for a period of twelve months from the date of sale, repair or replace any part of the equipment determined by Graco to be defective. This warranty applies only when the equipment is installed, operated and maintained in accordance with Graco's written recommendations.

This warranty does not cover, and Graco shall not be liable for general wear and tear, or any malfunction, damage or wear caused by faulty installation, misapplication, abrasion, corrosion, inadequate or improper maintenance, negligence, accident, tampering, or substitution of non-Graco component parts. Nor shall Graco be liable for malfunction, damage or wear caused by the incompatibility of Graco equipment with structures, accessories, equipment or materials not supplied by Graco, or the improper design, manufacture, installation, operation or maintenance of structures, accessories, equipment or materials not supplied by Graco.

This warranty is conditioned upon the prepaid return of the equipment claimed to be defective to an authorized Graco distributor for verification of the claimed defect. If the claimed defect is verified, Graco will repair or replace free of charge any defective parts. The equipment will be returned to the original purchaser transportation prepaid. If inspection of the equipment does not disclose any defect in material or workmanship, repairs will be made at a reasonable charge, which charges may include the costs of parts, labor, and transportation.

THIS WARRANTY IS EXCLUSIVE, AND IS IN LIEU OF ANY OTHER WARRANTIES, EXPRESS OR IMPLIED, INCLUDING BUT NOT LIMITED TO WARRANTY OF MERCHANTABILITY OR WARRANTY OF FITNESS FOR A PARTICULAR PURPOSE.

Graco's sole obligation and buyer's sole remedy for any breach of warranty shall be as set forth above. The buyer agrees that no other remedy (including, but not limited to, incidental or consequential damages for lost profits, lost sales, injury to person or property, or any other incidental or consequential loss) shall be available. Any action for breach of warranty must be brought within two (2) years of the date of sale.

GRACO MAKES NO WARRANTY, AND DISCLAIMS ALL IMPLIED WARRANTIES OF MERCHANTABILITY AND FITNESS FOR A PARTICULAR PURPOSE, IN CONNECTION WITH ACCESSORIES, EQUIPMENT, MATERIALS OR COMPONENTS SOLD BUT NOT MANUFACTURED BY GRACO. These items sold, but not manufactured by Graco (such as electric motors, switches, hose, etc.), are subject to the warranty, if any, of their manufacturer. Graco will provide purchaser with reasonable assistance in making any claim for breach of these warranties.

In no event will Graco be liable for indirect, incidental, special or consequential damages resulting from Graco supplying equipment hereunder, or the furnishing, performance, or use of any products or other goods sold hereto, whether due to a breach of contract, breach of warranty, the negligence of Graco, or otherwise.

FOR GRACO CANADA CUSTOMERS

The Parties acknowledge that they have required that the present document, as well as all documents, notices and legal proceedings entered into, given or instituted pursuant hereto or relating directly or indirectly hereto, be drawn up in English. Les parties reconnaissent avoir convenu que la rédaction du présent document sera en Anglais, ainsi que tous documents, avis et procédures judiciaires exécutés, donnés ou intentés, à la suite de ou en rapport, directement ou indirectement, avec les procédures concernées.

Graco Information

For the latest information about Graco products, visit www.graco.com.

For patent information, see www.graco.com/patents.

TO PLACE AN ORDER, contact your Graco distributor or call 1-800-690-2894 to identify the nearest distributor.



All written and visual data contained in this document reflects the latest product information available at the time of publication.

Graco reserves the right to make changes at any time without notice.

Original instructions. This manual contains English. MM 3B0070

Graco Headquarters: Minneapolis

International Offices: Belgium, China, Japan, Korea

GRACO INC. AND SUBSIDIARIES • P.O. BOX 1441 • MINNEAPOLIS MN 55440-1441 • USA

Copyright 2023, Graco Inc. All Graco manufacturing locations are registered to ISO 9001.

www.graco.com

Revision C, May 2024