

EFR

3A6165U

Electric Fixed-Ratio Proportioner

EN

For use with two-component sealant and adhesive materials. For professional use only.

Not approved for use in explosive atmospheres or hazardous locations.

2000 psi (13.8 MPa, 138 bar) Maximum Fluid Inlet Pressure

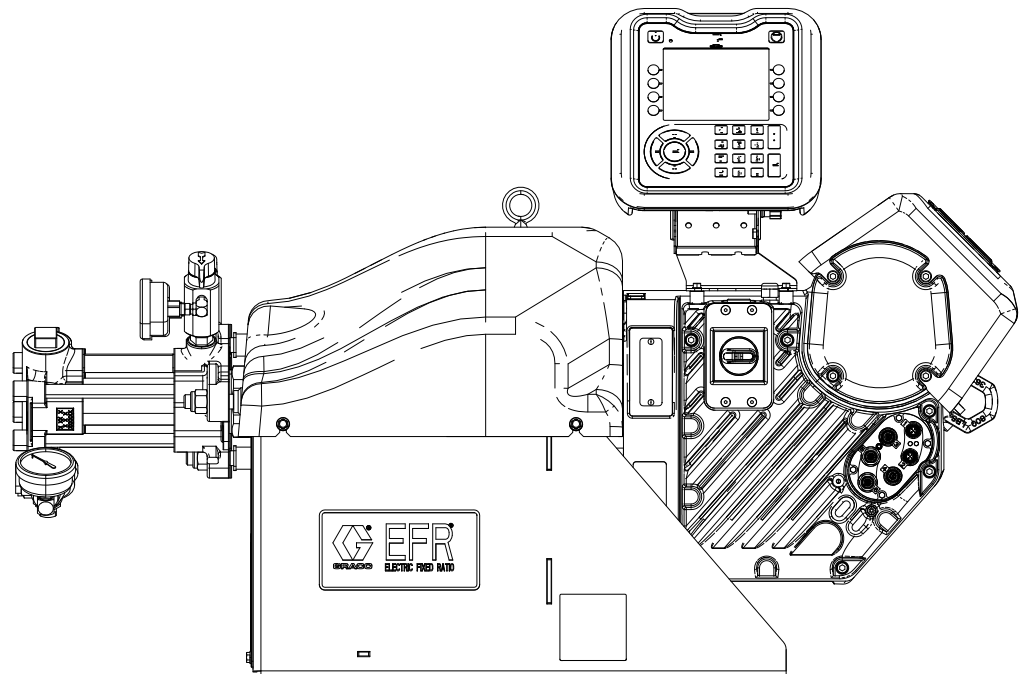
3500 psi (24.1 MPa, 241 bar) Maximum Fluid Outlet Pressure

See page 4 for model information.



Important Safety Instructions

Read all warnings and instructions in this manual and in related manuals before using the equipment. Save these instructions.



Contents

Related Manuals	3	Accessories	47
Models	4	Voltex Dynamic Mix Valve	47
Warnings	5	Applicator	47
Keep Components A (Red) and B (Blue) Separate	8	Dispense Valve Interface Kit	47
Changing Materials	8	Inlet Regulator Kits	47
A (Red) and B (Blue) Components	8	Additional Accessories	47
Component Identification	9	EFR Supply System Accessories	48
Typical Installation	10	Advanced Display Module (ADM) Operation	54
Advanced Display Module (ADM)	12	ADM Screen Overview	55
Installation	14	Home Screen	55
Grounding	14	Voltex Dynamic Mix Valve Run Screen	57
Power Requirements	14	Index Menu	58
Connect Power	14	Software Update	69
Install Vented Oil Cap Before Using Equipment	16	17Y711 Software Update Procedure	69
Setup	17	I/O Integration	70
Flushing	18	Connector Identification	70
Driver and Yoke Position	18	Pin Out of Connector 3 and Connector 4	71
Fluid Pathway	21	I/O Integration Diagrams	72
CAN Cable Connections (With Day Tanks)	22	Foot Switch Connection	74
Signal Connections	23	Gel Timer Purge Locations I/O	74
Operation	26	Remote Sequence Selection	75
Startup	26	I/O Integration Cable Colors	75
Shutdown	27	Wiring Diagrams	76
Pressure Relief Procedure	27	Power Wiring	76
Adjust Material Inlet Pressure	28	Dimensions	77
Maintenance	29	Technical Specifications	78
Preventative Maintenance Schedule	29	California Proposition 65	79
Check Oil Level	29	Graco Standard Warranty	80
Change the Oil	30		
Bearing Pre-Load	30		
Calibrate the Electric Driver	31		
ADM - Battery Replacement and Screen Cleaning			
.....	32		
Grease Cup Maintenance	32		
Troubleshooting	33		
EFR Error Codes	35		
Parts	42		
EFR Common System Parts	42		
Fluid Section	43		
Driver and Yoke Assembly	44		
Electrical Assembly	46		

Related Manuals

Manual	Description
3A0019	Z-Series Chemical Pumps Instructions-Parts
3A6482	APD20 Advanced Precision Driver Instructions
312185	MD2 Valve Instructions-Parts
3A6338	Communications Gateway Module Installation Kit Instructions-Parts
3A6394	Z-Series Chemical Pumps High Wear Instructions-Parts
3A6321	ADM Token In-System Programming Instructions
3A8115	Voltex Dynamic Mix Valve Instructions-Parts
3A0395	Stainless Steel Tank Stands Instructions-Parts
3A1299	Carbon Steel Tank Stands Instructions-Parts
3A6709	Pressure Transducer Kit

Models

Use the following matrix to determine the 8-digit system part number.

NOTE: To order replacement parts, see the **Parts** section on page 42. The digits in the matrix do not correspond to the Ref. Nos. in the **Parts** drawings and lists.




EFR (First, Second and Third Digits)	Digit 4		Digit 5		Digit 6		Digit 7		Digit 8	
System Designator	Voltage Options		Control Options		A Side Pump		B Side Pump		Inlet/Outlet Fitting Options	
EFR (Electric Fixed-Ratio Proportioner)	2	240V	A	ADM	A	5 cc	A	5 cc	C	Carbon and Stainless Steel
	4	480V			B	10 cc	B	10 cc	S	Stainless Steel
					C	15 cc	C	15 cc	X	Not Provided
					D	20 cc	D	20 cc		
					E	25 cc	E	25 cc		
					F	30 cc	F	30 cc		
					G	35 cc	G	35 cc		
					H	40 cc	H	40 cc		
					I	45 cc	I	45 cc		
					J	50 cc	J	50 cc		
					K	60 cc	K	60 cc		
					L	65 cc	L	65 cc		
					M	70 cc	M	70 cc		
					N	75 cc	N	75 cc		
					O	80 cc	O	80 cc		
					P	86 cc	P	86 cc		
					Q	90 cc	Q	90 cc		
					R	100 cc	R	100 cc		
					S	105 cc	S	105 cc		
					T	120 cc	T	120 cc		
					U	140 cc	U	140 cc		
					V	150 cc	V	150 cc		
					W	160 cc	W	160 cc		
					X*	No Pump	X*	No Pump		
					1	10 cc High Wear	1	10 cc High Wear		
					1B	20 cc Elite	1B	20 cc Elite		
					1C	40 cc Elite	1C	40 cc Elite		
					1D	80 cc Elite	1D	80 cc Elite		
				1E	100 cc Elite	1E	100 cc Elite			
				1F	120 cc Elite	1F	120 cc Elite			
				1G	160 cc Elite	1G	160 cc Elite			

* An EFR may be configured without pumps by designating "X" for both pump selections. Inlet/Outlet Fitting selection is required to specify the fittings shipped with the system. Pumps can be purchased and assembled separately before placing the system into service. See the Z-Series Chemical Pumps Instructions-Parts manual.




+ EFR configurations with High-Wear pumps are only available with stainless steel Inlet/Outlet Fitting options, and cannot be selected in combination with standard EFR pumps.

Warnings

The following warnings are for the setup, use, grounding, maintenance, and repair of this equipment. The exclamation point symbol alerts you to a general warning and the hazard symbols refer to procedure-specific risks. When these symbols appear in the body of this manual or on warning labels, refer back to these Warnings. Product-specific hazard symbols and warnings not covered in this section may appear throughout the body of this manual where applicable.






 DANGER	
 	<p>SEVERE ELECTRIC SHOCK HAZARD</p> <p>This equipment can be powered by more than 240 V. Contact with this voltage will cause death or serious injury.</p> <ul style="list-style-type: none">• Turn off and disconnect all power before disconnecting any cables and before servicing equipment.• This equipment must be grounded. Connect only to grounded power source.• All electrical wiring must be done by a qualified electrician and comply with all local codes and regulations.

! WARNING




	<p>SKIN INJECTION HAZARD</p> <p>High-pressure fluid from dispensing device, hose leaks, or ruptured components will pierce skin. This may look like just a cut, but it is a serious injury that can result in amputation. Get immediate surgical treatment.</p> <ul style="list-style-type: none"> • Do not point dispensing device at anyone or at any part of the body. • Do not put your hand over the fluid outlet. • Do not stop or deflect leaks with your hand, body, glove, or rag. • Follow the Pressure Relief Procedure when you stop dispensing and before cleaning, checking, or servicing equipment. • Tighten all fluid connections before operating the equipment. • Check hoses and couplings daily. Replace worn or damaged parts immediately.
	<p>FIRE AND EXPLOSION HAZARD</p> <p>Flammable fumes, such as solvent and paint fumes, in work area can ignite or explode. Paint or solvent flowing through the equipment can cause static sparking. To help prevent fire and explosion:</p> <ul style="list-style-type: none"> • Use equipment only in well-ventilated area. • Eliminate all ignition sources; such as pilot lights, cigarettes, portable electric lamps, and plastic drop cloths (potential static sparking). • Ground all equipment in the work area. See Grounding instructions. • Never spray or flush solvent at high pressure. • Keep work area free of debris, including solvent, rags and gasoline. • Do not plug or unplug power cords, or turn power or light switches on or off when flammable fumes are present. • Use only grounded hoses. • Stop operation immediately if static sparking occurs or you feel a shock. Do not use equipment until you identify and correct the problem. • Keep a working fire extinguisher in the work area.
	<p>TOXIC FLUID OR FUMES HAZARD</p> <p>Toxic fluids or fumes can cause serious injury or death if splashed in the eyes or on skin, inhaled, or swallowed.</p> <ul style="list-style-type: none"> • Read Safety Data Sheets (SDSs) to know the specific hazards of the fluids you are using. • Store hazardous fluid in approved containers, and dispose of it according to applicable guidelines.



WARNING

 	<p>MOVING PARTS HAZARD</p> <p>Moving parts can pinch, cut or amputate fingers and other body parts.</p> <ul style="list-style-type: none"> • Keep clear of moving parts. • Do not operate equipment with protective guards or covers removed. • Equipment can start without warning. Before checking, moving, or servicing equipment, follow the Pressure Relief Procedure and disconnect all power sources.
 	<p>EQUIPMENT MISUSE HAZARD</p> <p>Misuse can cause death or serious injury.</p> <ul style="list-style-type: none"> • Do not operate the unit when fatigued or under the influence of drugs or alcohol. • Do not exceed the maximum working pressure or temperature rating of the lowest rated system component. See Technical Specifications in all equipment manuals. • Use fluids and solvents that are compatible with equipment wetted parts. See Technical Specifications in all equipment manuals. Read fluid and solvent manufacturer's warnings. For complete information about your material, request Safety Data Sheets (SDSs) from distributor or retailer. • Turn off all equipment and follow the Pressure Relief Procedure when equipment is not in use. • Check equipment daily. Repair or replace worn or damaged parts immediately with genuine manufacturer's replacement parts only. • Do not alter or modify equipment. Alterations or modifications may void agency approvals and create safety hazards. • Make sure all equipment is rated and approved for the environment in which you are using it. • Use equipment only for its intended purpose. Call your distributor for information. • Route hoses and cables away from traffic areas, sharp edges, moving parts, and hot surfaces. • Do not kink or over bend hoses or use hoses to pull equipment. • Keep children and animals away from work area. • Comply with all applicable safety regulations.
	<p>PERSONAL PROTECTIVE EQUIPMENT</p> <p>Wear appropriate protective equipment when in the work area to help prevent serious injury, including eye injury, hearing loss, inhalation of toxic fumes, and burns. Protective equipment includes but is not limited to:</p> <ul style="list-style-type: none"> • Protective eyewear, and hearing protection. • Respirators, protective clothing, and gloves as recommended by the fluid and solvent manufacturer.

Keep Components A (Red) and B (Blue) Separate

				
<p>Cross-contamination can result in cured material in fluid lines which could cause serious injury or damage equipment. To prevent cross-contamination:</p> <ul style="list-style-type: none">• Never interchange component A (red) and component B (Blue) wetted parts.• Never use solvent on one side if it has been contaminated from the other side.				

Changing Materials

<p>NOTICE</p> <p>Changing the material types used in your equipment requires special attention to avoid equipment damage and downtime.</p> <ul style="list-style-type: none">• When changing materials, flush the equipment multiple times to ensure it is thoroughly clean.• Check with your material manufacturer for chemical compatibility.

A (Red) and B (Blue) Components

NOTE: Material suppliers can vary in how they refer to plural component materials.

For all machines:

- The A (Red) side is intended for hardeners and catalysts.
- The B (Blue) side is intended for polyols, resins, and bases.

NOTE: Regardless of the configuration of material used, the high volume material must be in the B (Blue) side.

Component Identification

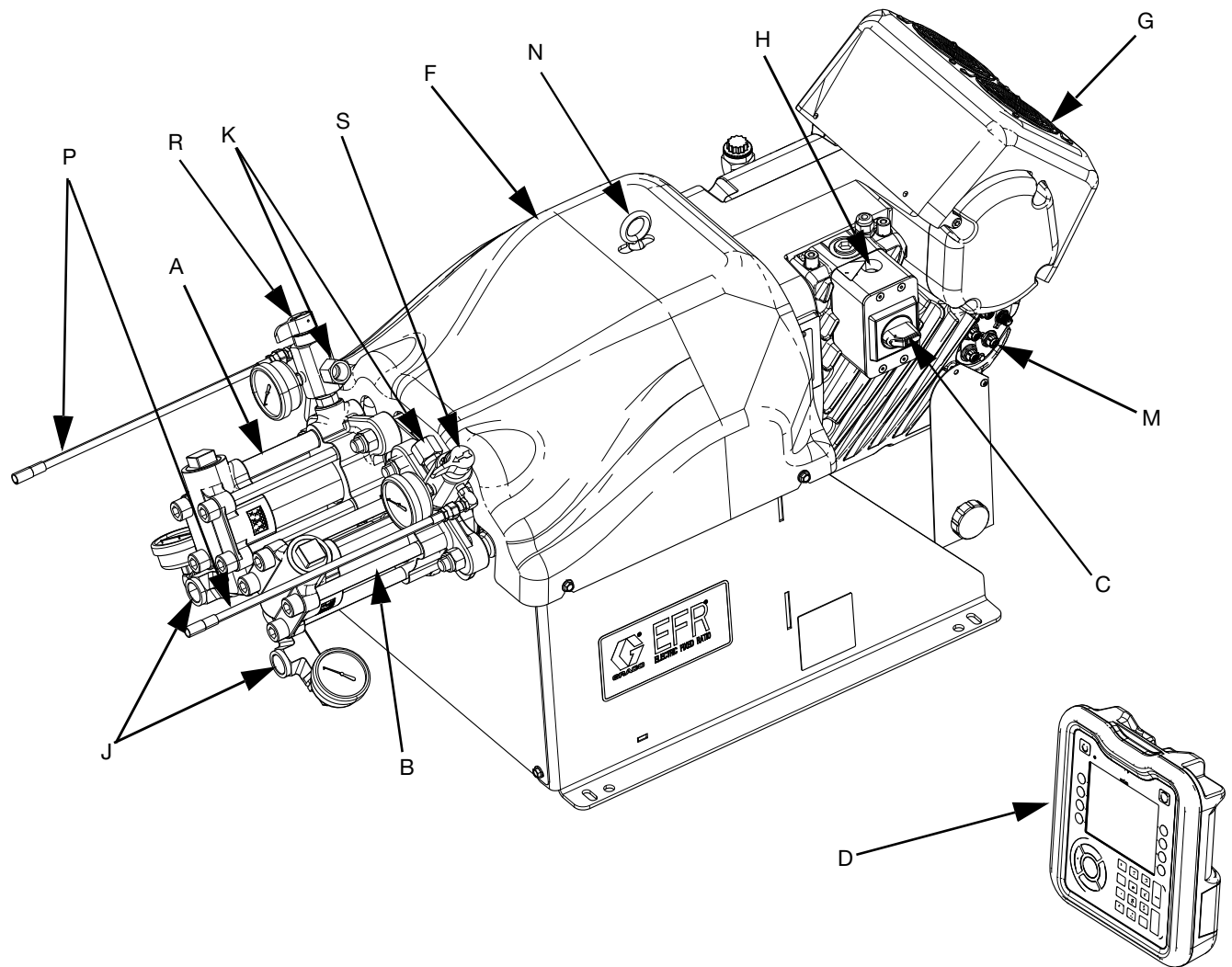


FIG. 1: Component Identification

Key:

- A A Pump
- B B Pump
- C Power Disconnect Switch
- D Advanced Display Module (ADM)
- F Pump Yoke Shroud
- G Electric Driver
- H Incoming Power Connection
- J Pump Inlets
- K Pump Outlets
- M Driver Communication and I/O Connectors
- N Lift Ring

- P Pressure Relief Drain Tubes
- R A-Side Outlet Drain/Relief Valve*
- S B-Side Outlet Drain/Relief Valve*

* Required components supplied with the system. EFR systems configured without pumps are provided with drain/relief valves, which must be installed after the pumps are assembled, but before placing the system into service.

Typical Installation

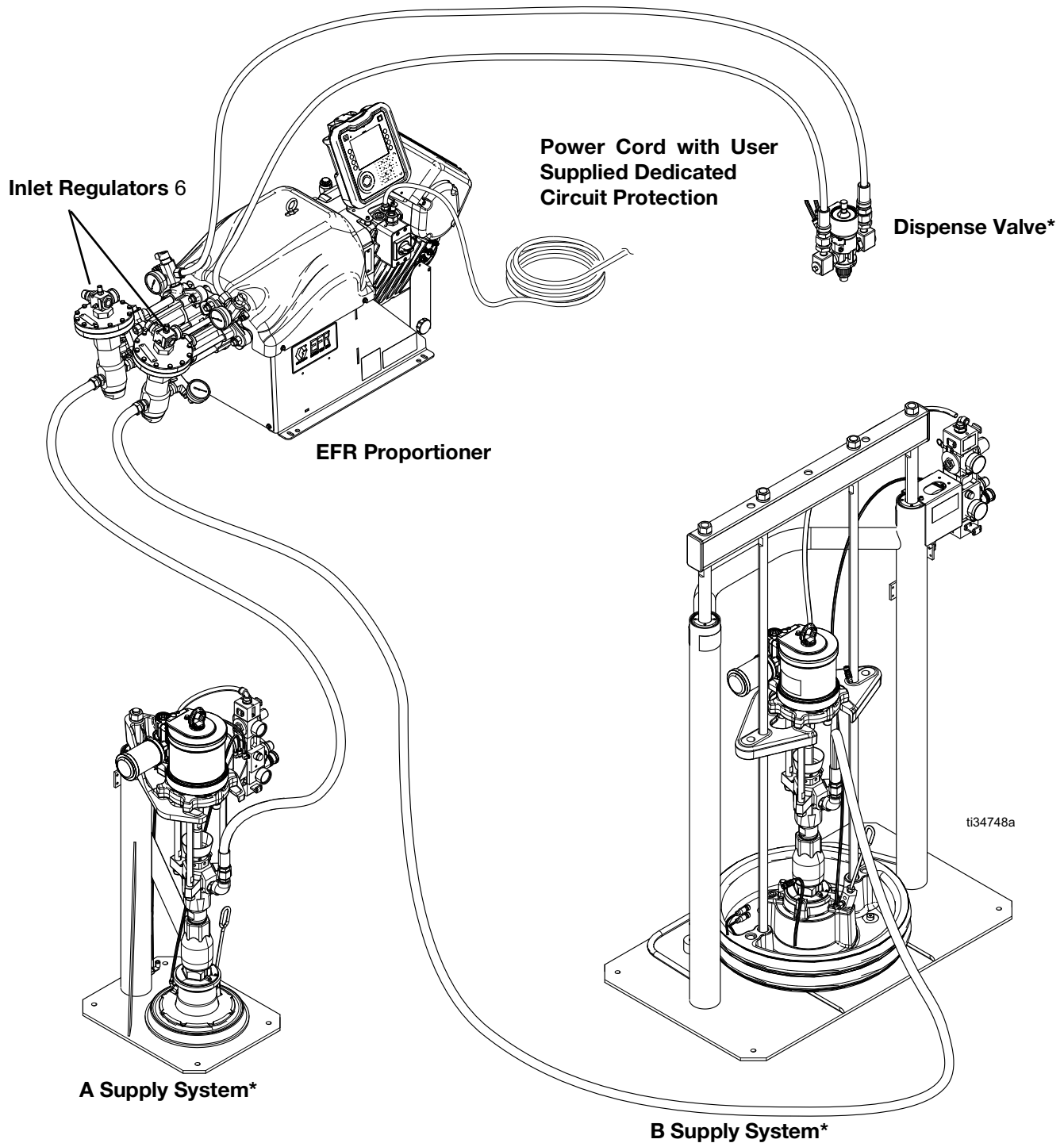


Fig. 2: Typical Installation with Supply Systems

* Required accessories not supplied with the proportioner.

✘ Optional accessories not supplied with the proportioner.

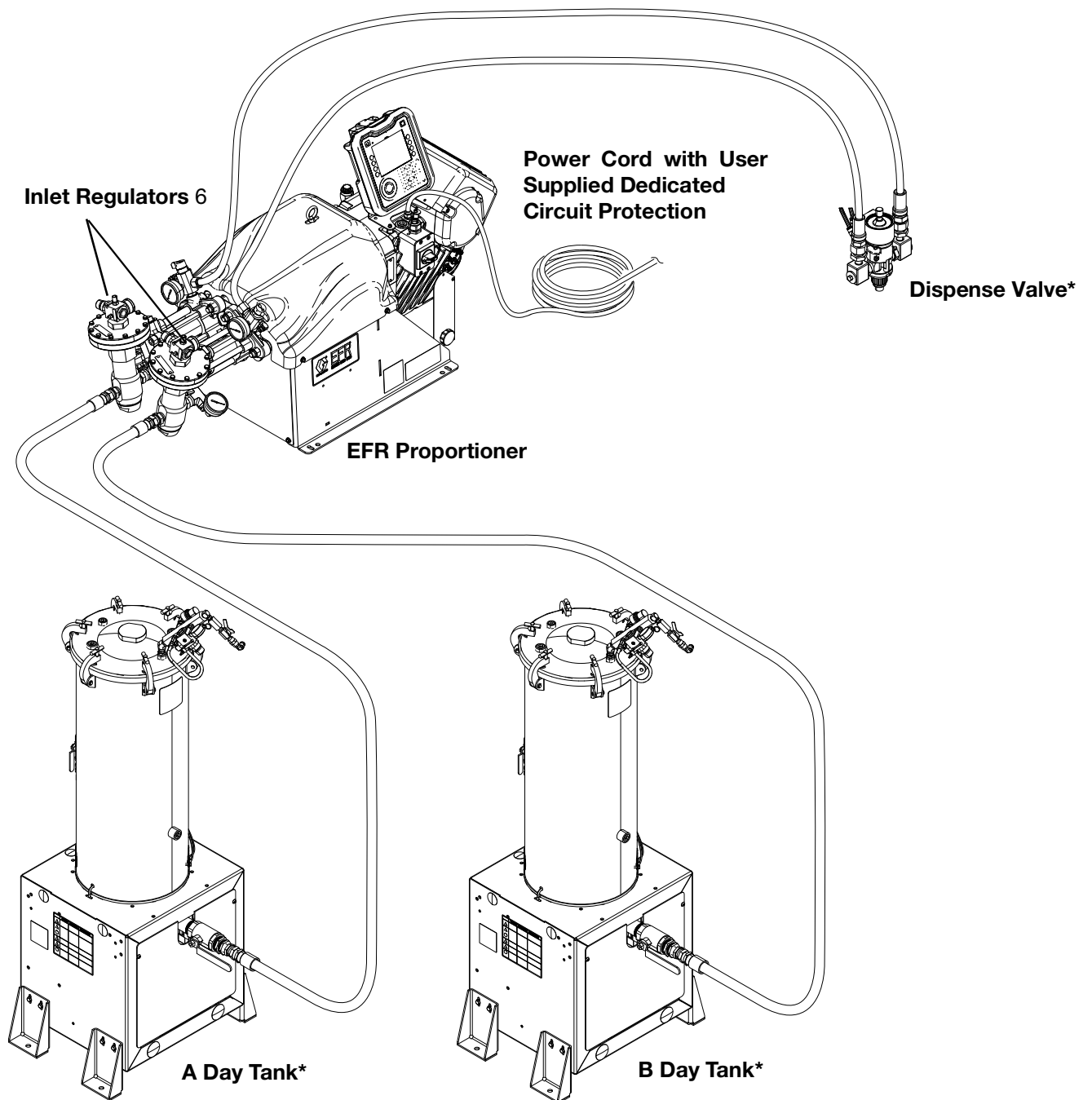


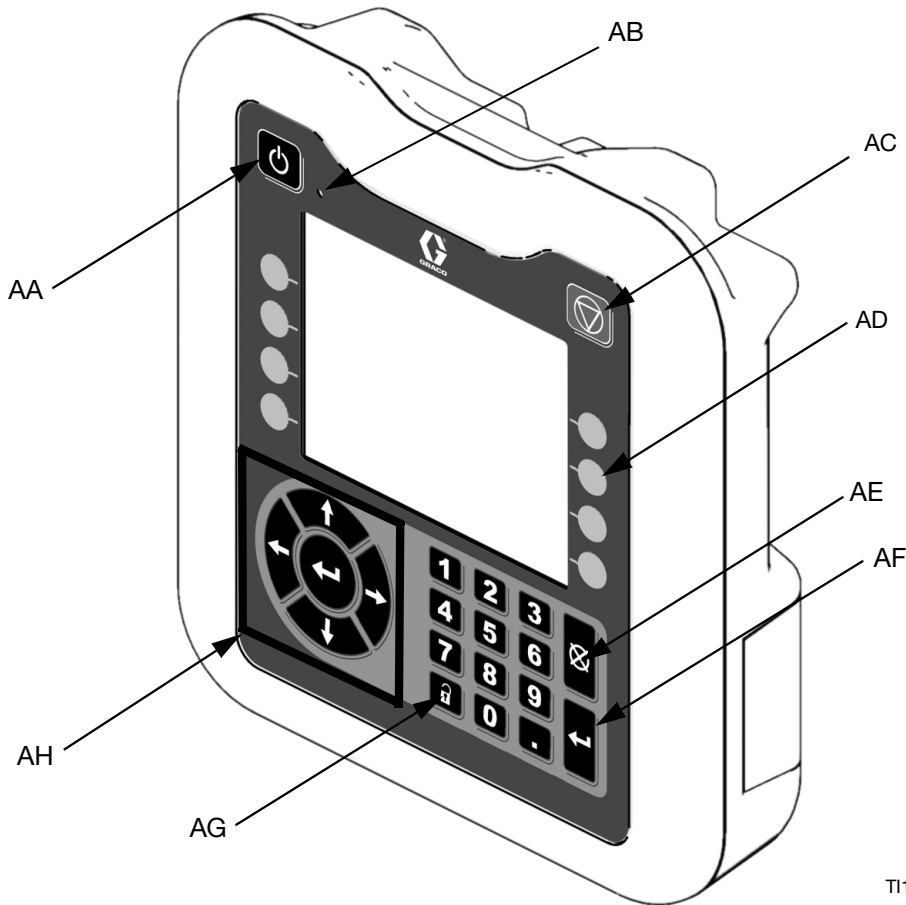
FIG. 3: Typical Installation with Day Tanks

* Required accessories not supplied with the proportioner.

✘ Optional accessories not supplied with the proportioner.

Advanced Display Module (ADM)

User Interface



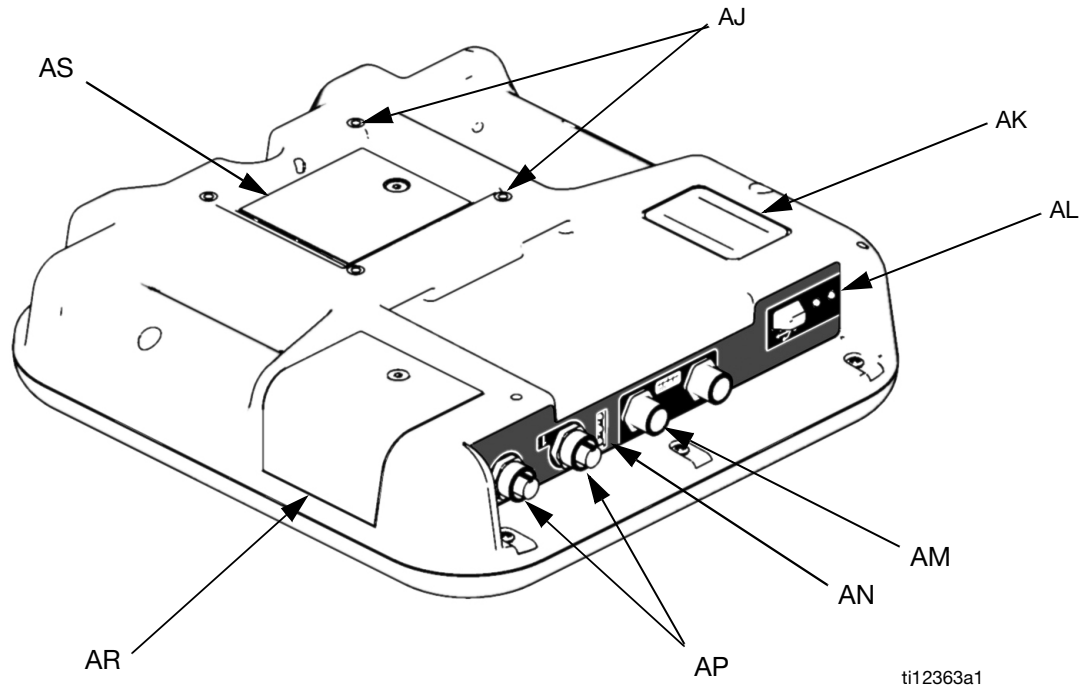
T112362a1

FIG. 4: ADM Component Identification - Front

Buttons

Callout	Button	Function
AA	System enable/disable	Enables/disables system. When system is disabled, temperature control and dispense operation are disabled.
AB	System Status Indicator Light	Displays system status. See System Status Indicator (AB) Conditions on page 13 for details.
AC	Stop	Stop all system processes. Is not a safety or emergency stop.

Callout	Button	Function
AD	Soft Keys	Defined by application using ADM.
AE	Cancel	Cancel a selection or number entry while in the process of entering a number or making a selection.
AF	Enter	Acknowledge changing a value or making a selection.
AG	Lock/Set up	Toggle between run and setup screens. If setup screens are password protected, button toggles between run and password entry screen.
AH	Navigation	Navigate within a screen or to a new screen.



ti12363a1

FIG. 5: ADM Component Identification - Rear

Key:

- AJ Flat Panel Mount
- AK Model Number
- AL USB Module Interface
- AM CAN Cable Connections
- AN Module Status LEDs
- AP Accessory Cable Connections
- AR Token Access Cover
- AS Battery Access Cover

System Status Indicator (AB) Conditions

- Green Solid** - Run Mode, System On
- Green Flashing** - Setup Mode, System On
- Yellow Solid** - Run Mode, System Off
- Yellow Flashing** - Setup Mode, System Off



ADM Module Status LEDs (AN) Conditions

Module Status LED Signal	Description
Green on	System is powered up.
Yellow on	Communication in progress.
Red solid	ADM hardware failure.
Red flashing	Uploading software.





USB Module Status LEDs (AL) Conditions

Module Status LED Signal	Description
Green flashing	System is powered up.
Yellow on	Downloading information to USB
Green/Yellow Flashing	ADM is busy, USB cannot transfer information when in this mode

Installation

				
All electrical wiring must be done by a qualified electrician and comply with all local codes and regulations.				

Grounding

				
The equipment must be grounded to reduce the risk of static sparking and electric shock. Electric or static sparking can cause fumes to ignite or explode. Improper grounding can cause electric shock. Grounding provides an escape wire for the electric current.				

EFR: grounded through the power cord (customer supplied).

Fluid supply containers: follow local code.

Object being dispensed: follow local code.

Solvent pails used when flushing: follow local code. Use only conductive metal pails, placed on a grounded surface. Do not place the pail on a nonconductive surface, such as paper or cardboard, which interrupts grounding continuity.

To maintain grounding continuity when flushing or relieving pressure: hold metal part of the dispense valve firmly to the side of a grounded metal pail, then trigger the dispense valve.

Power Requirements

The system requires a dedicated circuit protected with a circuit breaker.

Voltage	Phase	Hz	Current
200-240 VAC	1	50/60	20 A
400-480 VAC	1	50/60	10 A

Connect Power

- Cut power cord wires to the following lengths:
 - Ground wire - 6.5 inches (16.5 cm)
 - Power wires - 3.0 inches (7.6 cm)
 - Add ferrules as necessary. See FIG. 6.

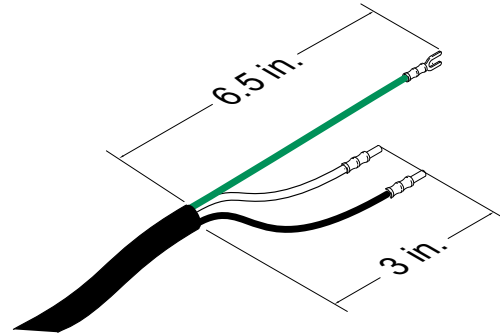


FIG. 6: Power Cord

- Remove the four screws to separate the junction box cover (BA) and disconnect switch (C) from the junction box (BB) on the electrical driver.

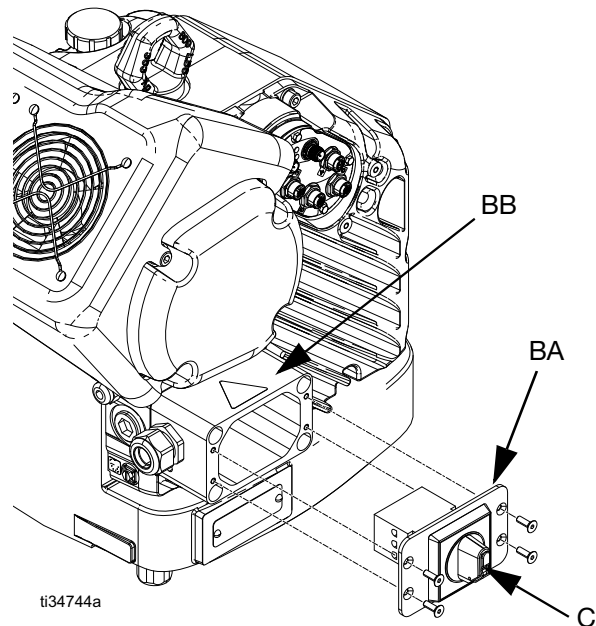


FIG. 7: Remove Junction Box Cover

NOTE: Inside the junction box, power wires are pre-installed to terminals 2T1 and 4T2 on the disconnect block. Refer to FIG. 8 for the terminal locations.

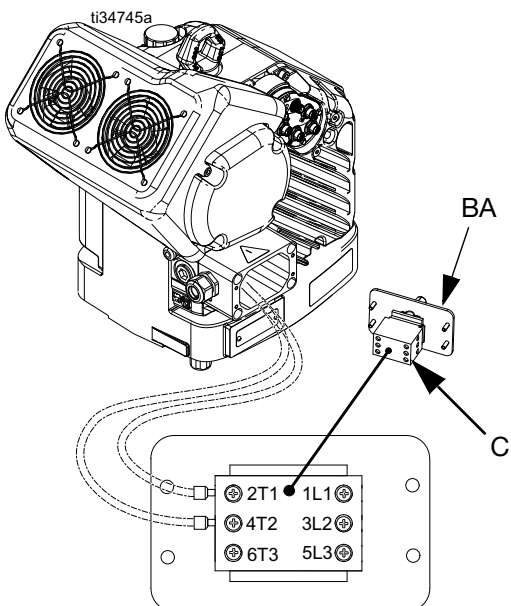


FIG. 8: Terminal Connections

3. Insert the power cord through the cord grip (strain relief) 3/4-14 NPT male, cable range 0.35-0.63 in. (8.9-16 mm), and into the junction box.

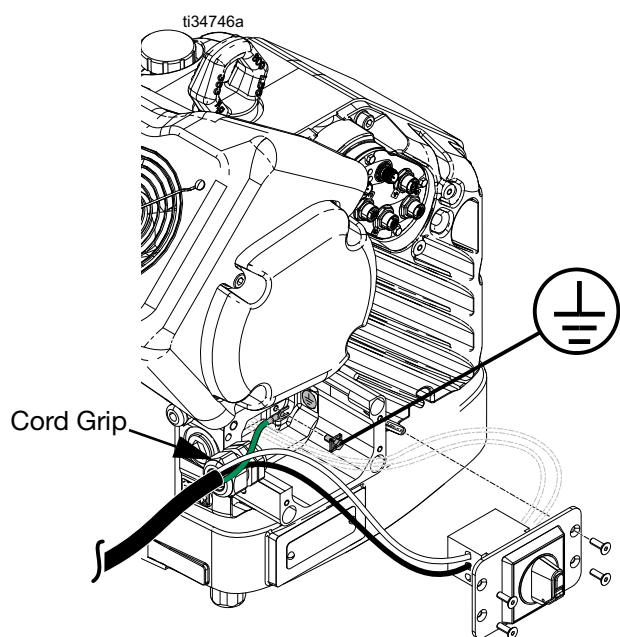


FIG. 9: Connect Power

4. Attach the ground wire to the ground terminal inside the junction box as shown in FIG. 9.
5. Refer to FIG. 8 and connect the wires from the power cord into terminals 1L1 and 2L2.

NOTE: For 480V systems, a step-down transformer is factory-installed between the power disconnect switch and the electric driver. See **Wiring Diagrams** on page 76.

NOTE: Do not attach the ground wire to the grounding lug locknut on the outside of the electric driver. See **Grounding** on page 14.

6. Place the power wires into the open area on either side of the power disconnect switch (C) as space permits.
7. Reinstall the junction box cover (BA) and disconnect switch (C) using the four screws removed in step 2.

NOTICE

Make sure all wires are routed correctly before installation. If wires get pinched when the screws are tightened, damage will occur.

8. Tighten the cord grip to securely hold the power cord in the junction box.

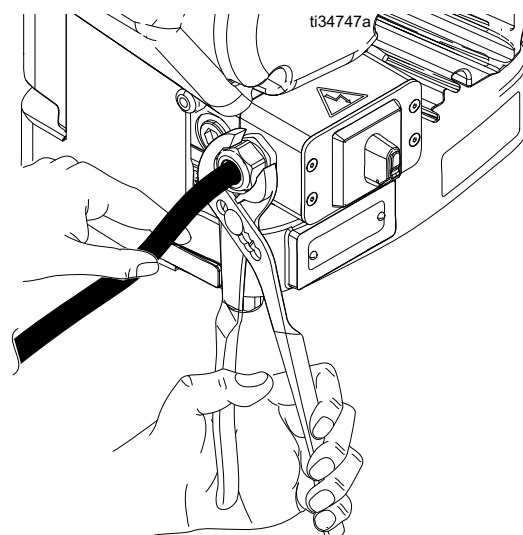


FIG. 10: Tighten Cord Grip

Install Vented Oil Cap Before Using Equipment

The driver gear-box is shipped from the factory pre-filled with oil. The temporary unvented cap (PX) prevents oil leaks during shipment. This temporary cap must be replaced with the vented oil cap (PY), supplied with the equipment, before use.

NOTE: Prior to use, check oil level. Oil level should be half way up the sight glass.

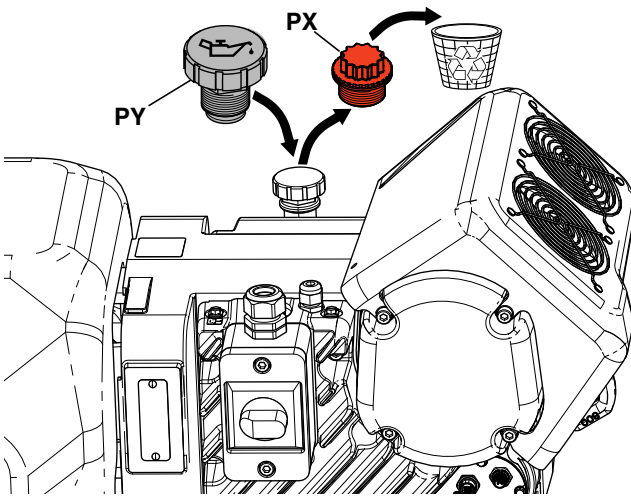


FIG. 11: Unvented and Vented Oil Caps

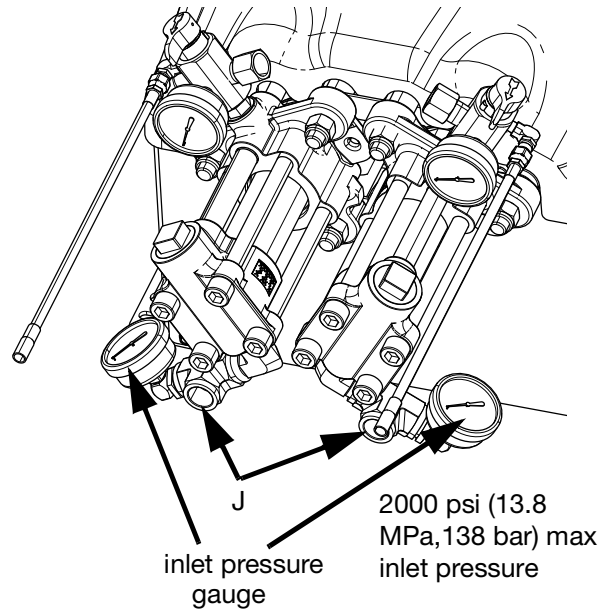
Setup

After placing the EFR in the desired area of operation:

NOTE: Make sure the EFR is placed on a level surface. See **Dimensions** on page 77 for space requirements.

1. Anchor the EFR to a fixed mounting location. See **Dimensions** on page 77.
2. Follow steps a through d to install pumps ordered separately for EFR systems configured without pumps. If the EFR is already configured with pumps, proceed to step 3.
 - a. Adjust the electric driver position to the correct ratio of the pumps selected. See **Check Initial Driver and Yoke Position** and **Change Driver and Yoke Position** on page 19.
 - b. Install inlet fittings (provided with the EFR) onto the A and B pumps purchased separately. See **Parts** on page 42.
 - c. Install the pumps onto the EFR. See **Parts** on page 42. The B pump (larger volume) should be located on the side of the driver electrical connections. Use spring clamps (106) (provided with pumps) to couple the pump to yoke adapters (216).
 - d. Grease pumps if using moisture sensitive materials. See **Grease Cup Maintenance** page 32.
 - e. Install adapters (107) into the pump outlets, then install outlet manifold assemblies (108, 109) and drain tubes (112).
3. If applicable, assemble and connect the fluid inlet regulators to the EFR fluid inlets (J). See **Inlet Regulator Kits** on page 47.

4. Connect the supply systems.
 - a. Install feed pumps for component A (Red) and B (Blue) supply drums. See **FIG. 2**, page 10.

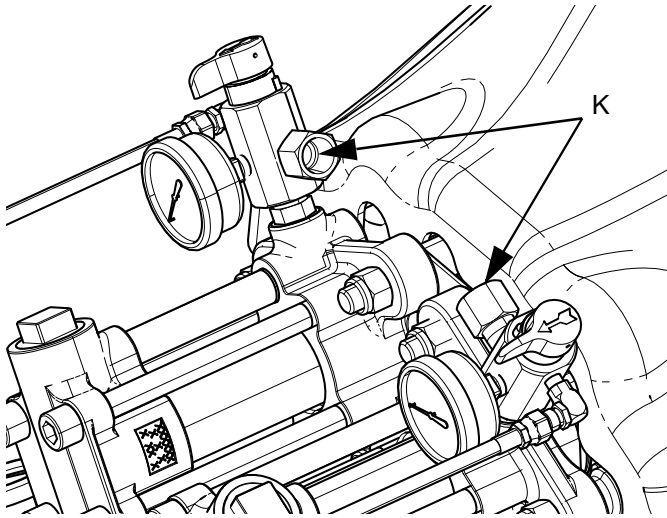


- b. Ensure the supply systems and, if applicable, the inlet regulators are off or set to zero pressure before connecting.

NOTE: Supply hoses from feed pumps should be 3/4 in. (19 mm) ID minimum.

- c. Assemble, connect and tighten the component B (Blue) inlet hose to the B-pump inlet (J).
- d. Assemble, connect and tighten the component A (Red) inlet hose to the A-pump inlet (J).

- Attach the fluid outlet hoses to the pump outlets (K). Adapter fittings may be required, see **Additional Accessories** on page 47.



- Connect the outlet hoses to the dispense valve. Refer to your dispense valve component manual for complete installation instructions.
- Pressure check the hoses. If there are no leaks, secure the outlet hoses together to protect them from damage.

Flushing



To avoid fire and explosion, always ground equipment and waste container. To avoid static sparking and injury from splashing, always flush at the lowest possible pressure.

- Flush out old fluid with new fluid, or flush out old fluid with a compatible solvent before introducing new fluid.
- Use the lowest possible pressure when flushing.
- All fluid components are compatible with common solvents.
- To flush the entire system, circulate through the dispense valve and drain valve.

Driver and Yoke Position

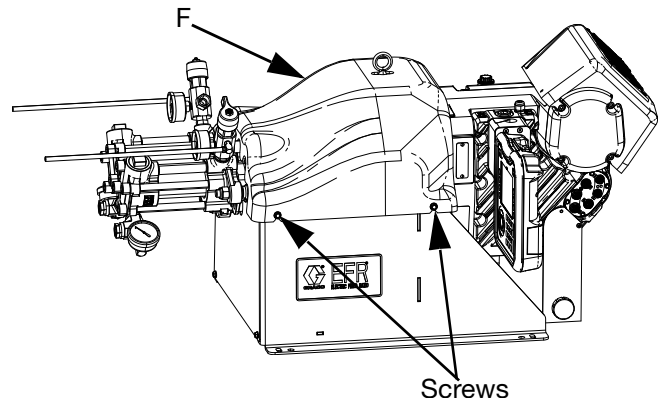


The driver and yoke position must be initially set for the volume mix ratio of the system. A further precision alignment can be made after the completed system is run through a production dispense cycle, and pump pressures have been recorded during the dispense cycle. If the difference between pressures are within 10% no further action is required. If the pressures exceed 10% of each other but the ratios are good, then the **Precision Alignment Procedure** is done to balance the drive forces of the system. If the pressures are within 10% The **Precision Alignment Procedure** can still be performed to maximize rod life.

NOTE: The mix ratio is only determined by the size of the two pumps installed. Changing the driver and yoke position does not directly change the mix ratio, but it is required to balance the forces between the two pumps on the yoke.

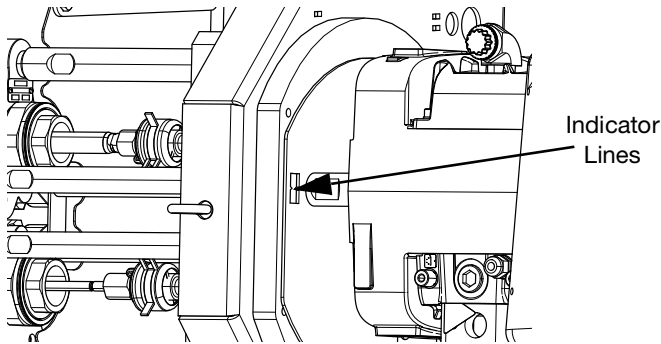
Check Initial Driver and Yoke Position

- Turn the power disconnect switch (C) to the OFF position.
- Perform the **Pressure Relief Procedure** on page 27.
- Loosen the four screws and remove the pump yoke shroud (F).



- Verify the correct pumps are mounted for your mix volume ratio.

NOTE: To calculate this mix volume ratio, divide the displacement of the B-side pump by the displacement of the A-side pump (B/A).



5. Verify the driver position is adjusted correctly for that mix ratio. If not, perform the following **Change Driver and Yoke Position** procedure.

NOTE: There are numbered indicator lines on the driver mounting plate and on the pump yoke that show the ratio adjustment.

Precision Alignment Procedure

NOTICE

The precision alignment procedure can extend the life of the pump guide rods and bearings. Aligning the driver to minimize guide rod wear is not a substitute for balancing pressures.

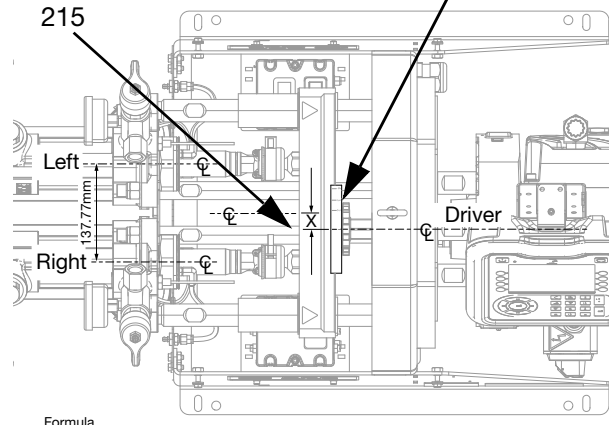
1. The completed assembly with supply and dispense equipment is run through a production cycle after the **Check Initial Driver and Yoke Position** is completed.
2. Record the pump pressures during a dispense cycle as displayed on the ADM **Home Screen** shown on page 55. If the difference between pressures exceed 10% then the pressures along with the pump sizes are then applied to the precision alignment formula:

Precision Alignment Formula

$$\text{Ratio} = \frac{(\text{Right press. psi} \times \text{Right pump size cc})}{(\text{Right press. psi} \times \text{Right pump size cc} + \text{Left press. psi} \times \text{Left pump size cc})}$$

137.77 mm = Pump Center to Center Distance

$$X \text{ mm} = 137.77 \text{ mm} \times (\text{Ratio} - 1/2) \quad 217$$

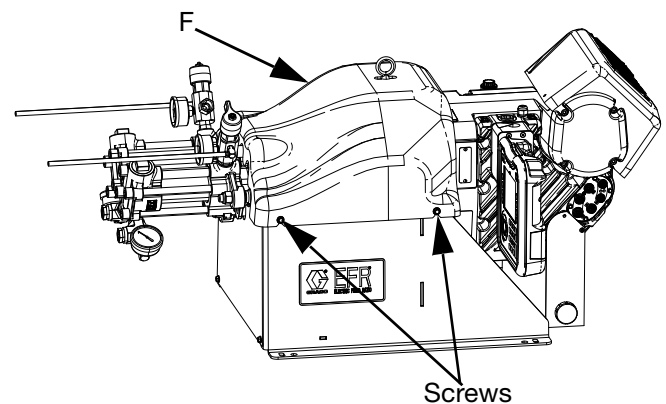


3. Using the centerline of the left and right pump marked on the yoke (215), set the distance X from the formula to the centerline of the ratio indicator and driver, (217) marked by the number "1" on the scale. Refer to the **Change Driver and Yoke Position** procedure to adjust the distance.

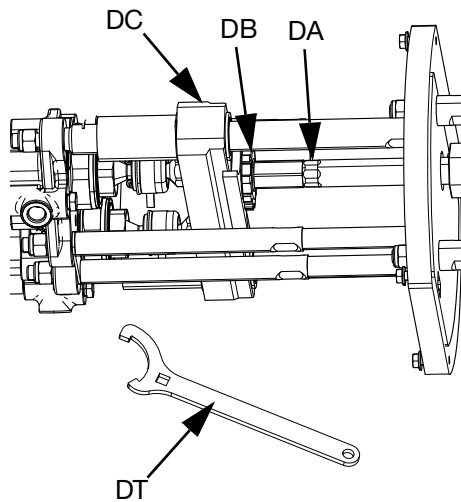
Change Driver and Yoke Position

There are specific driver positions for each mix ratio setting. To adjust the position of the electric driver:

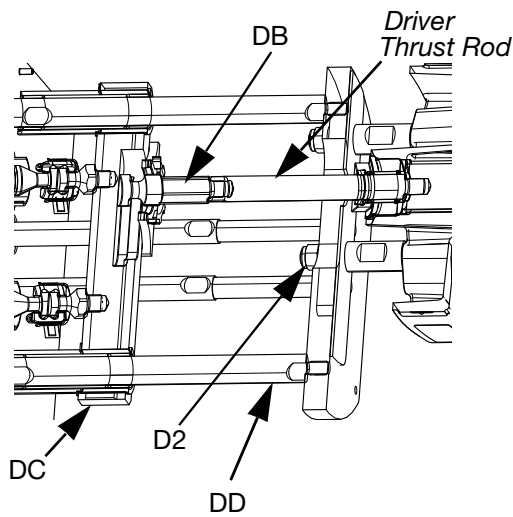
1. Turn the power disconnect switch (C) to the OFF position.
2. Perform the **Pressure Relief Procedure** on page 27.
3. Loosen the four screws and remove the pump yoke shroud (F).



- Place a wrench on the adapter rod (DA), then use the supplied tool (DT) to loosen the serrated yoke nut (DB) above the yoke (DC).



- Loosen the three nuts (D2) below the driver tie rods.



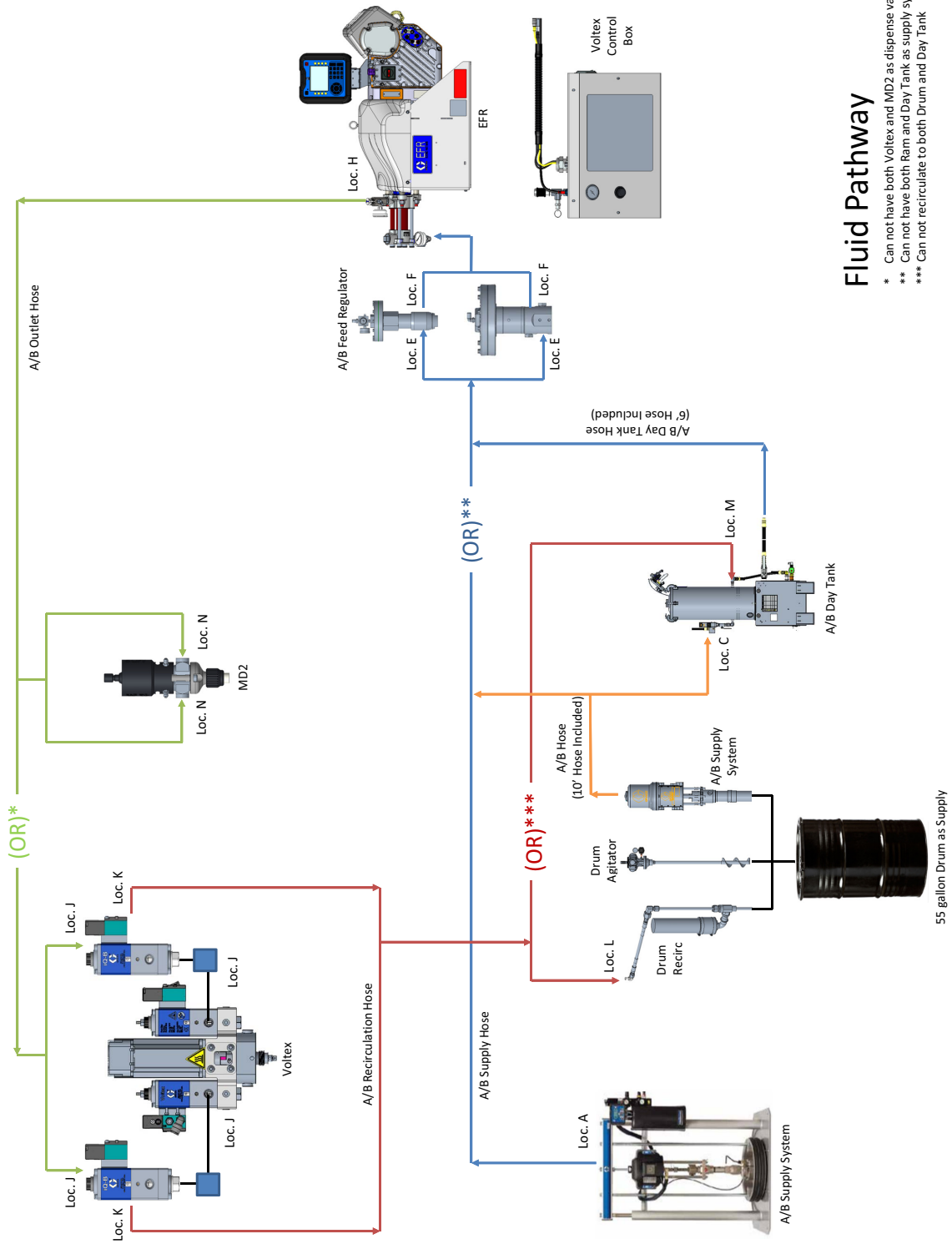
- Grab the output shaft and slide the position of the driver until the indicator lines are aligned with your ratio.

NOTICE

Do not hit tie rods (DD) with a steel hammer. Damage to the electric driver base may result.

- Tighten the three nuts (D2) and yoke nut (DB).
- Use the supplied tool (DT) to tighten the yoke nut, then install the pump yoke shroud (F).

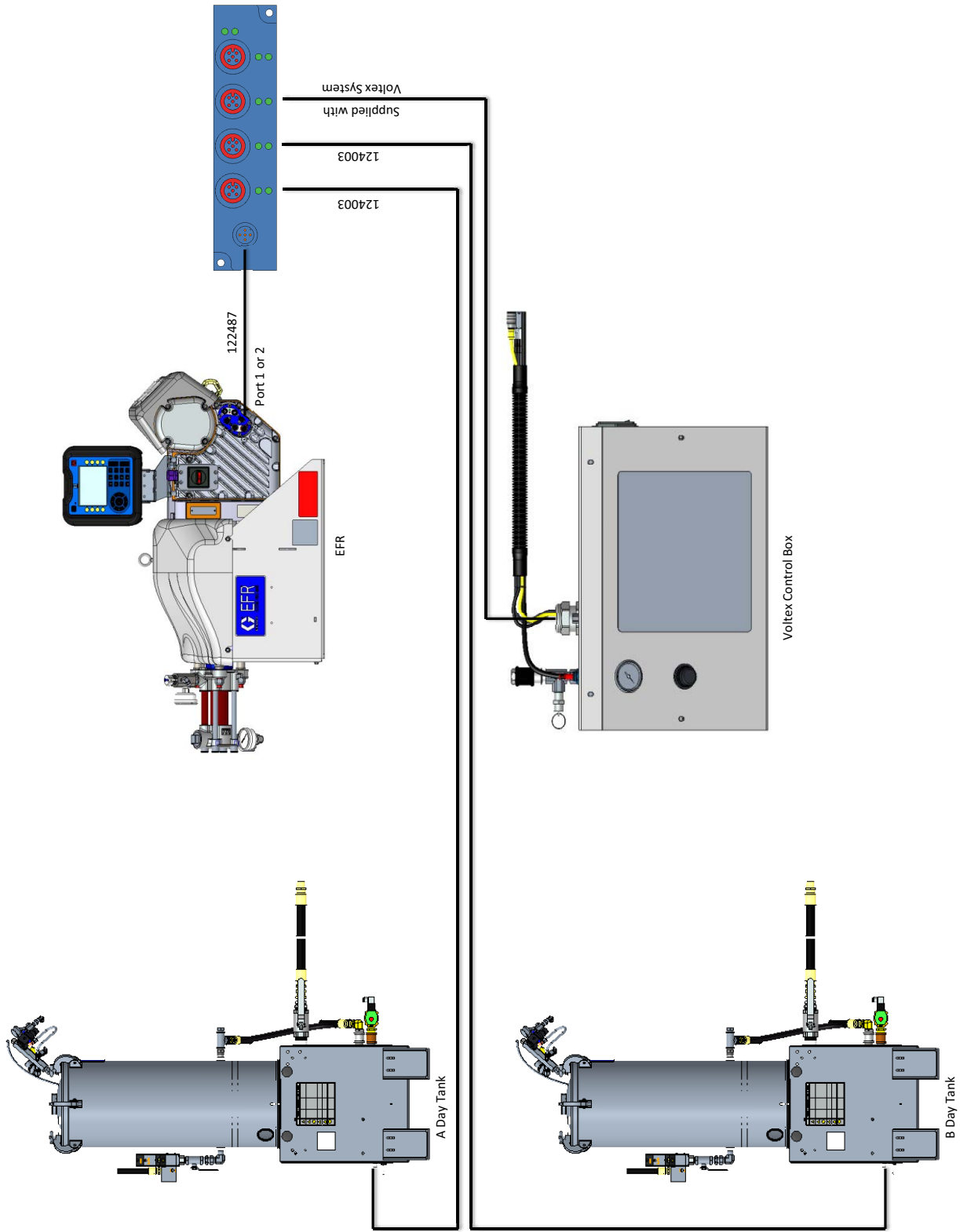
Fluid Pathway



Fluid Pathway

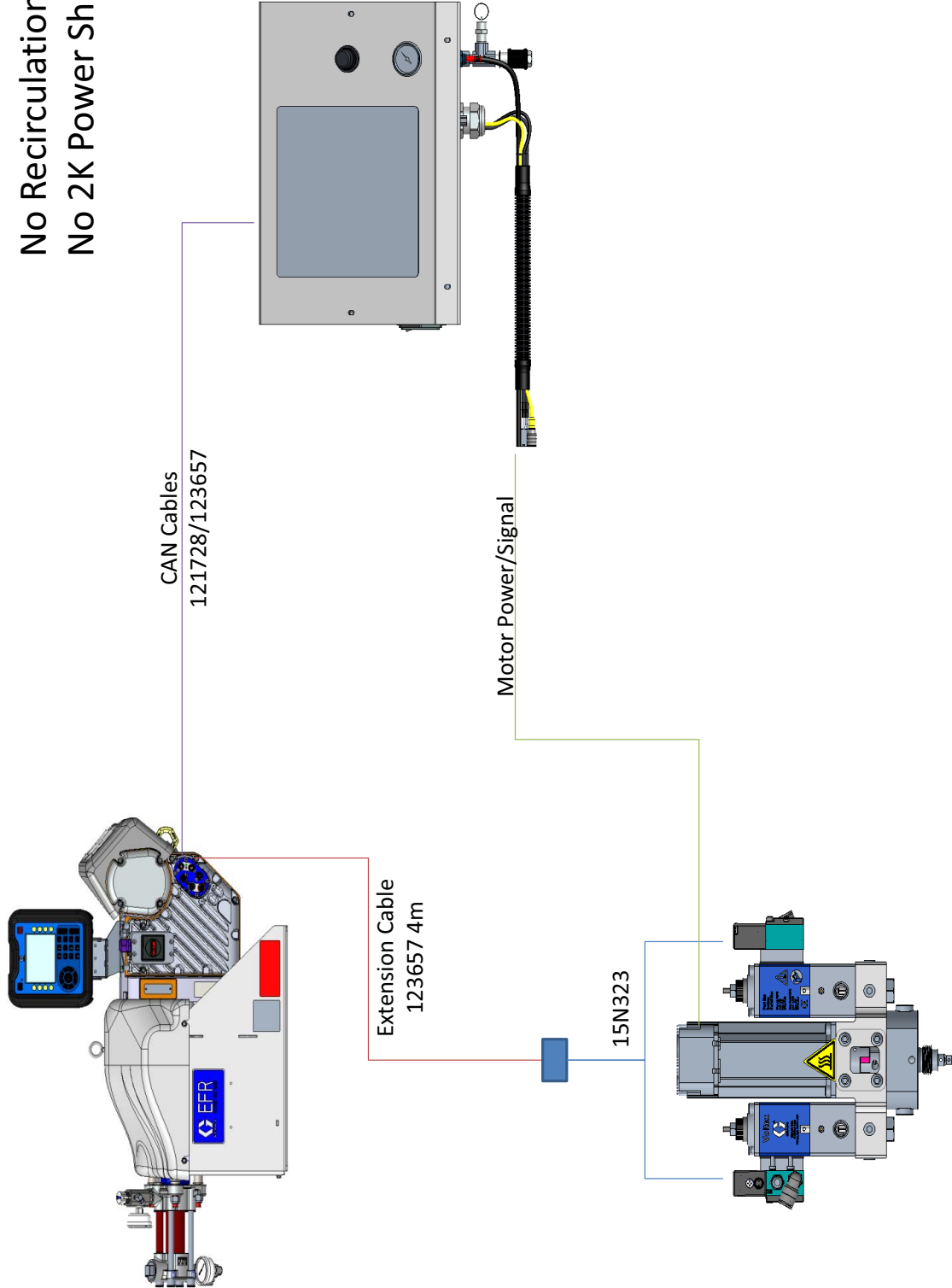
- * Can not have both Voltex and MD2 as dispense valves
- ** Can not have both Ram and Day Tank as supply systems
- *** Can not recirculate to both Drum and Day Tank

CAN Cable Connections (With Day Tanks)

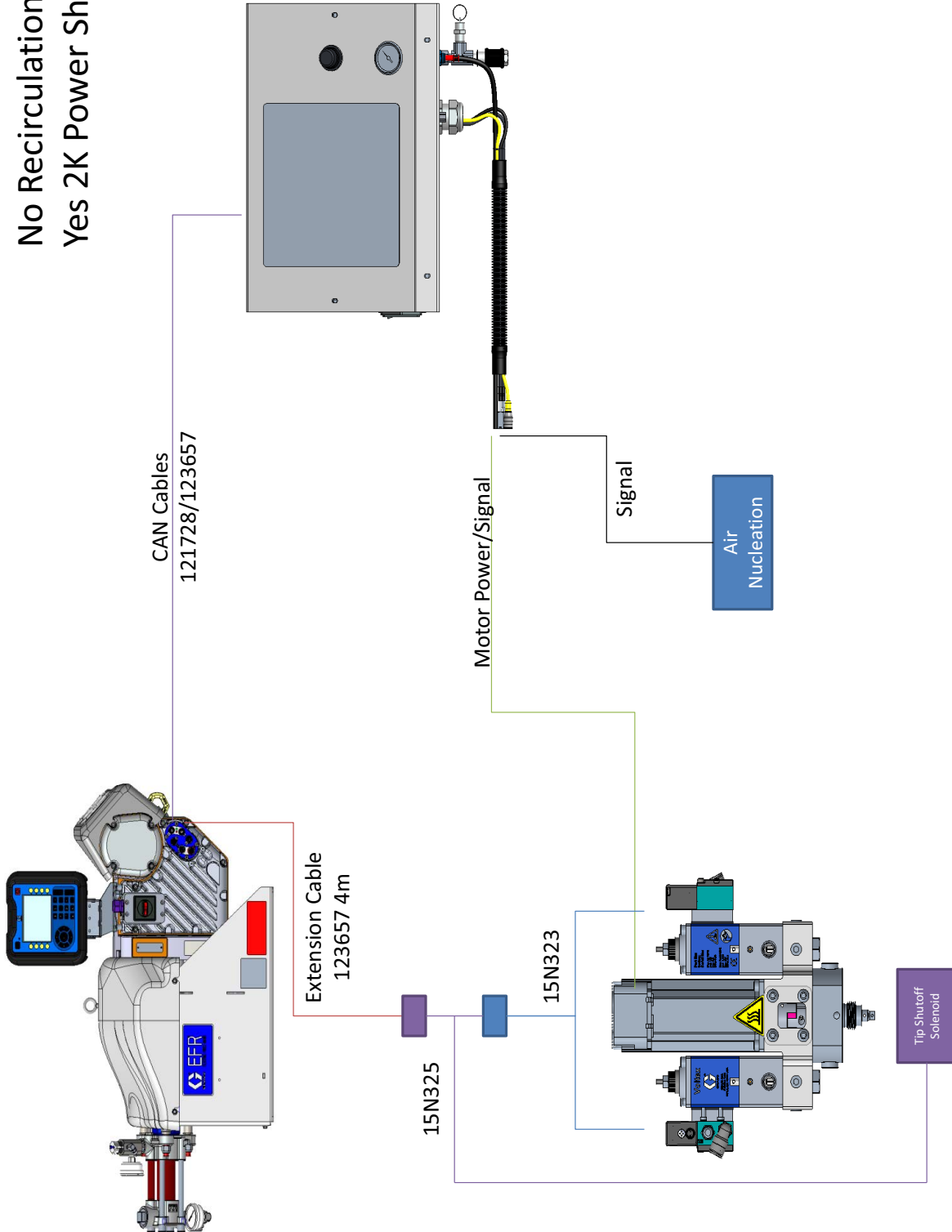


Signal Connections

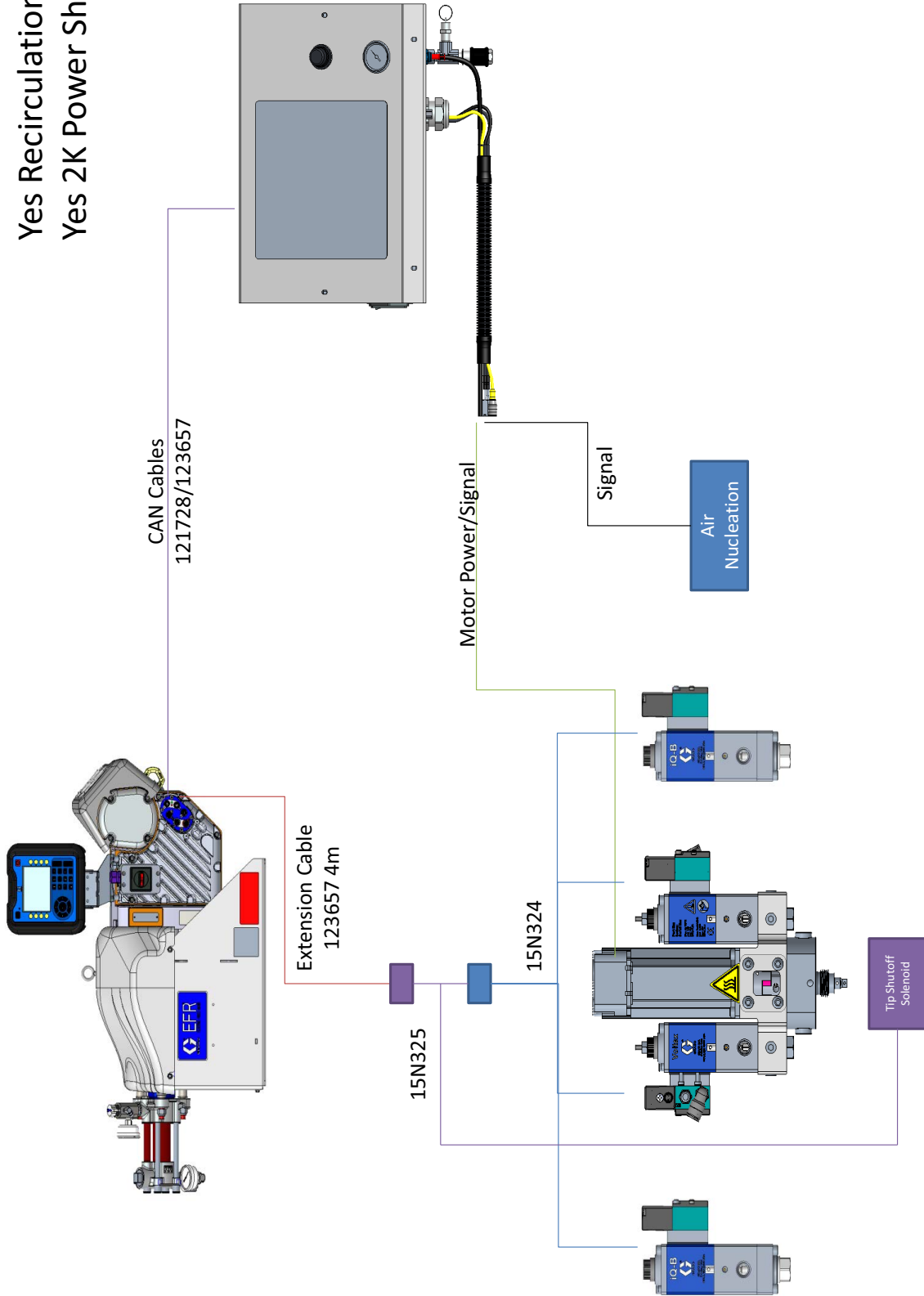
- No Air Nucleation
- No Recirculation
- No 2K Power Shutoff



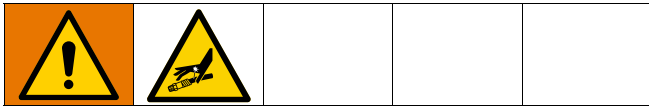
Yes Air Nucleation
No Recirculation
Yes 2K Power Shutoff



- Yes Air Nucleation
- Yes Recirculation
- Yes 2K Power Shutoff



Operation

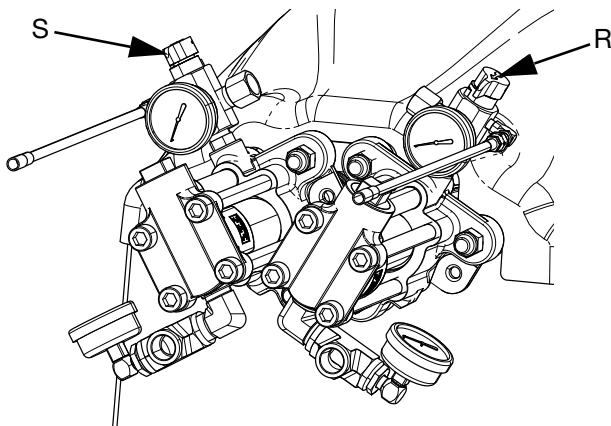


Startup

1. Use the supply systems to load the fluid.

NOTE: The EFR is tested with oil at the factory. Flush out the oil with a compatible solvent before dispensing.

- a. Check that all machine connections are tightened. See **Setup** on page 17.
- b. Verify both feed supply systems are connected to an air supply.
- c. Turn the power disconnect switch (C) to the ON position.
- d. Verify the machine is ON and the system status indicator (AB) is solid green. See **System Status Indicator (AB) Conditions** on page 13.
- e. Turn both PRESSURE RELIEF/DISPENSE valves (R, S) to DISPENSE (pointing toward the outlet pressure gauges).



- f. Start the supply systems. See **Adjust Material Inlet Pressure** on page 28.



Keep Components A and B Separate

Cross-contamination can result in cured material in fluid lines which could damage equipment or cause serious injury if injected or splashed on skin or in eyes. To prevent cross-contamination of the equipment's wetted parts, **never** interchange component A and component B parts.

- g. Use supply systems to load the system.
- h. To prime the pump, cycle the pump a few times or until air-free fluid dispenses. See **Home Screen** on page 55 for instructions on priming the pump through the ADM.





To prevent serious injury from splashing, dispense fluids at a low pressure.


- i. Hold the dispense valve nose piece, without a mixer installed, over two grounded waste containers. Leave the mixer off and trigger the dispense valve until both fluids flow freely from the nose piece without any air.
- j. With the valve closed, install the required mixer on the dispense valve. Refer to your dispense valve manual.

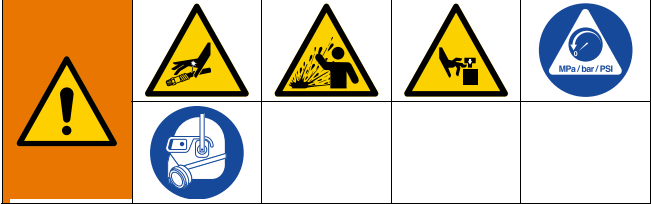
Shutdown



1. Park the pumps.
 - a. From the Home screen, press the  icon. Material will dispense. The pump will park automatically. Once the pump is parked, the pump will stop moving.
2. Press the enable/disable key on the ADM  to disable the EFR.
3. Turn the power disconnect switch (C) to the OFF position.
4. Relieve fluid pressure from the supply system. See your appropriate supply system manual for instructions on relieving fluid pressure.
5. Perform the **Pressure Relief Procedure** on page 27.


Pressure Relief Procedure

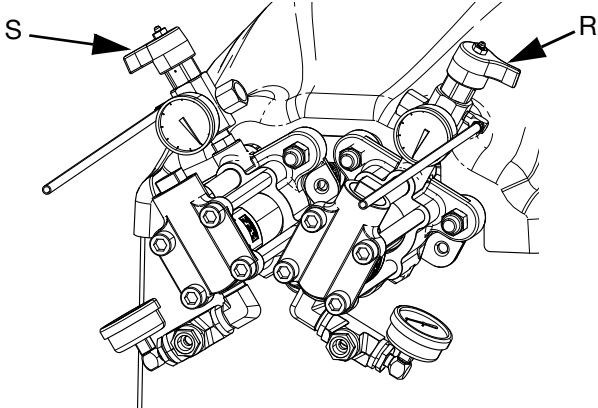
 Follow the Pressure Relief Procedure whenever you see this symbol.



This equipment stays pressurized until pressure is manually relieved. To help prevent serious injury from pressurized fluid, such as skin injection, splashing fluid and moving parts, follow the Pressure Relief Procedure when you stop spraying and before cleaning, checking, or servicing the equipment.

NOTE: The fittings on the pressure relief hoses are zinc plated carbon steel. The hoses are cured with sulfur. Check your materials for compatibility with zinc plating and sulfur before reusing any material that passed through them, as it may inhibit curing.

1. Press the enable/disable key on the ADM  to disable the EFR, and verify it is inactive.
2. Relieve pressure and shut off the supply systems. See your appropriate supply system manual.
3. Turn the PRESSURE RELIEF/DISPENSE valves (R, S) to PRESSURE RELIEF/CIRCULATION (pointing toward the drain hoses). Route the fluid to grounded waste containers or supply tanks. Ensure gauges read 0.



4. **For models with a dispense valve with a safety lock,** engage the dispense valve safety lock.

Adjust Material Inlet Pressure



NOTICE

Care must be taken when applying pressure to systems equipped with an inlet pressure regulator on the inlet assembly. Too much pressure could result in a burst hose. Read both operation and service manuals for the pump/ram supply system and the inlet pressure regulator prior to loading material to the EFR system.

Use the following procedure to adjust the fluid pressure to the system inlet. This process assumes that the supply system consisting of a supply pump and outlet hose has already been loaded and primed and is ready to provide material to the pump inlet.

1. Verify that the material supply pump does not provide material pressure in excess of the maximum fluid inlet pressure of 2000 psi (13.8 MPa, 138 bar).
2. Verify that there is no pressure in the material supply pump.
3. If used, verify both fluid inlet regulators are functioning properly. See the regulator component manual for detailed operating instructions.
4. Adjust both inlet regulators (if used) so that there is no air pressure on them and that the regulator pressure gauge reads zero.
5. Place a grounded container at the outlet of the relief lines from the manifold assemblies and secure the lines in place.
6. Turn the pressure relief valves (SA, SB) on the manifold to the drain/recirculation position.
7. Gradually increase the air pressure to the supply pump to provide no more than 2000 psi (13.8 MPa, 138 bar).
8. If a fluid inlet regulator is used, slowly increase the air pressure on the inlet regulator to allow material to flow through the pump and out of the drain hose. The required material pressure will vary depending on the material viscosity and flow rate.

9. Once material is flowing from the drain hose, slowly decrease pressure on the inlet regulator until flow stops.
10. Gradually increase pressure to the inlet regulator until material begins to flow again.
11. When material begins to flow out of the drain port, close the pressure relief valves (SA, SB).

NOTE: Record the pump inlet pressure gauge reading. Use this pressure as a starting point for adjusting the material feed pressure to meet application requirements.

NOTE: As a general rule for high viscosity materials, the dispense pressure must exceed the material inlet pressure by 2 to 3 times. Therefore, if the maximum dispense pressure is 2500 psi (17 MPa, 172 bar), the inlet pressure should be no more than 1250 psi (9 MPa, 86 bar). For lower viscosity, flowable materials, the dispense pressure should exceed the inlet pressure by 3-4 times. Use only enough feed pressure to adequately feed the EFR pumps. The minimum feed pressure is 70 psi (0.48 MPa, 4.83 bar).

12. The inlet pressure regulator is not self relieving. Reducing the material pressure at the regulator will not effect the pressure reading until the accumulated down stream pressure is relieved. Perform **Pressure Relief Procedure** on page 27.

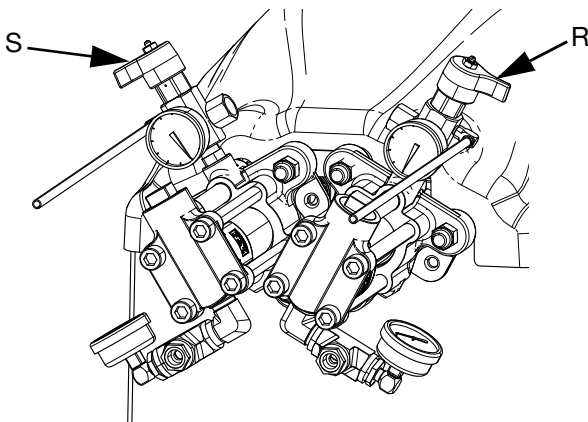
Maintenance



NOTE: See the Maintenance section in your component manuals for maintenance instructions for specific system components. See **Related Manuals** on page 3.

Task	Schedule
Change break-in oil in a new unit	After first 200,000 - 300,000 cycles
Inspect fluid lines for leaks	Daily
Grease circulation valves (S,R) with Fusion® grease (117773)	Weekly
Clean dispense valve mix chamber ports regularly, see dispense valve manual	See dispense valve manual
Clean dispense valve check valve screens, see dispense valve manual	See dispense valve manual
Grease the pumps as needed	See Grease Cup Maintenance page 32

Grease Circulation Valves with Fusion Grease (117773)



Preventative Maintenance Schedule



The operating conditions of your particular system determine how often maintenance is required. Establish a preventative maintenance schedule by recording when and what kind of maintenance is needed, and then determine a regular schedule for checking your system.

Check Oil Level

Check the oil level in sight glass (FC). (See FIG. 12.) The oil level should be near the halfway point of the sight glass when the sprayer is not running. If oil is low, open fill cap (FB) and add Graco Part No. 16W645 ISO 220 silicone-free synthetic EP gear oil. See FIG. 12.

The oil capacity is approximately 2.0 - 2.2 quarts (1.9 - 2.1 liters). **Do not overfill.**

NOTICE
Only use oil with Graco part number 16W645. Any other oil may not lubricate properly and can cause damage to the drive train.

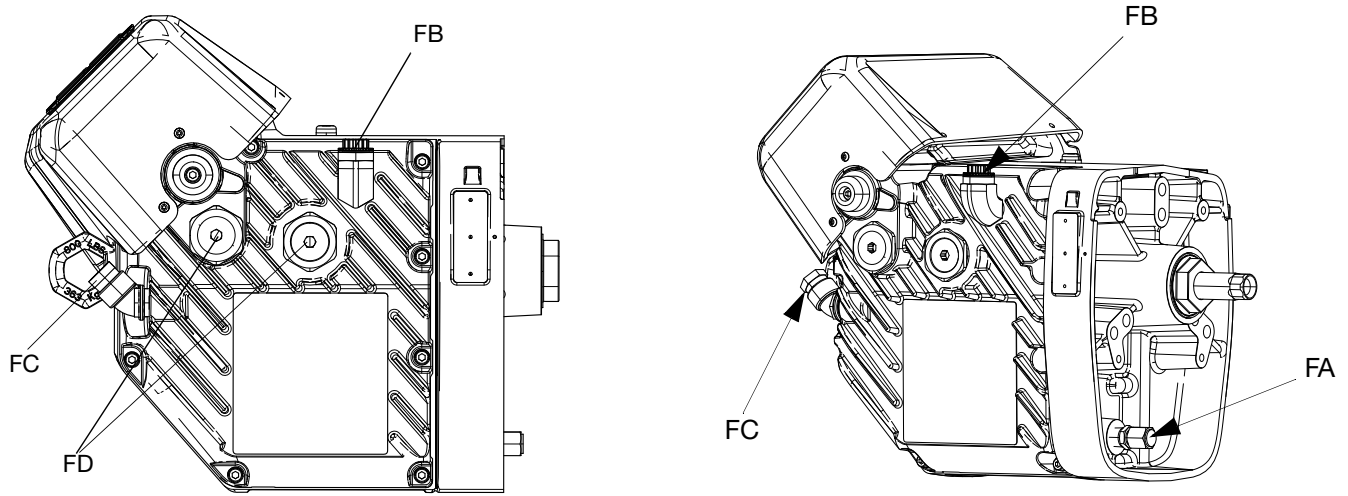


FIG. 12: Sight Glass and Oil Fill Cap

Change the Oil

NOTE: Change the oil after a break-in period of 200,000 to 300,000 cycles. After the break-in period, change the oil once per year.

1. Perform the **Shutdown** procedure on page 27.
2. Place a minimum 2 quart (1.9 liter) container under the oil drain port. Remove the oil drain plug (FA). Allow all oil to drain from the driver.
3. Reinstall the oil drain plug (FA). Torque to 18-23 ft-lb (25-30 N•m).
4. Open the fill cap (FB) and add Graco Part 16W645 ISO 220 silicone-free synthetic EP gear oil. Check the oil level in the sight glass (FC). (See FIG. 12.) Fill until the oil level is near the halfway point of the sight glass. The oil capacity is approximately 2.0 - 2.2 quarts (1.9 - 2.1 liters). **Do not overfill.**
5. Reinstall the fill cap.


Bearing Pre-Load

See FIG. 12. The bearing pre-loads (FD) are factory set and are not user adjustable. Do not adjust the bearing pre-loads.

Calibrate the Electric Driver



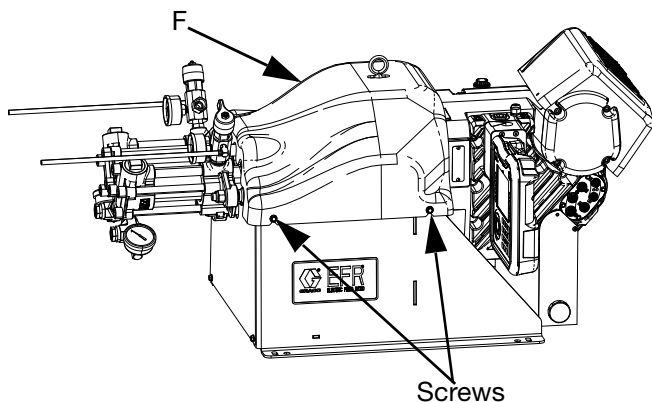
1. Park the pumps:

a. From the Home screen, press the  icon. Material will dispense. The pump will park automatically. Once the pump is parked, the pump will stop moving.

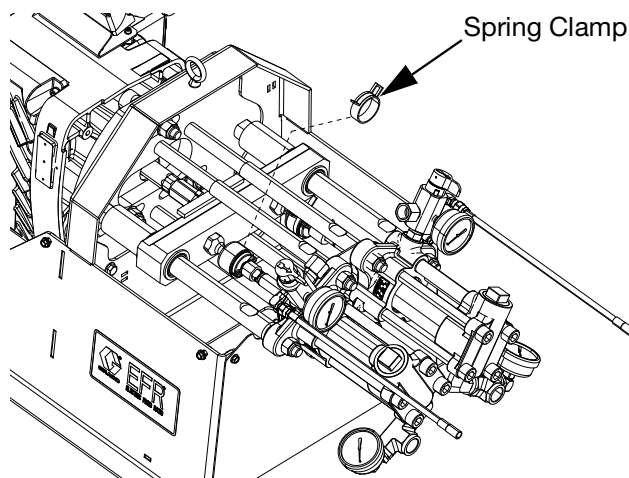
2. Turn the power disconnect switch (C) to the OFF position.

3. Perform the **Pressure Relief Procedure** on page 27.

4. Loosen the four screws and remove the pump yoke shroud (F).




5. Remove the spring clamps coupling the pump to the yoke adapters. The driver will need to cycle freely during the calibration process.



6. Turn the power disconnect switch (C) to the ON position.

7. Navigate to Maintenance Screen 1 on the ADM (see

page 65). Press  to enter Calibration mode.

8. Press the  icon to begin calibration. Wait for the calibration process to finish.

a. The driver output shaft will cycle back and forth slowly over the course of several minutes.

b. Mid-way through the auto-calibration process, the shaft will pause.

c. The shaft will cycle five or six times at a faster pace.

9. Verify the calibration process has been completed successfully. Successful calibration is indicated by

the green check mark  displayed on the screen.

10. Exit the calibration screen.

11. Use the Jog function to move the yoke in position for coupling the pumps (see page 65).

12. Turn the power disconnect switch (C) to the OFF position.

13. Couple the pumps to the yoke adapter using the spring clamps removed previously.

14. Replace the pump yoke shroud (F).

15. Turn the power disconnect switch (C) to the ON position and resume operation.

ADM - Battery Replacement and Screen Cleaning

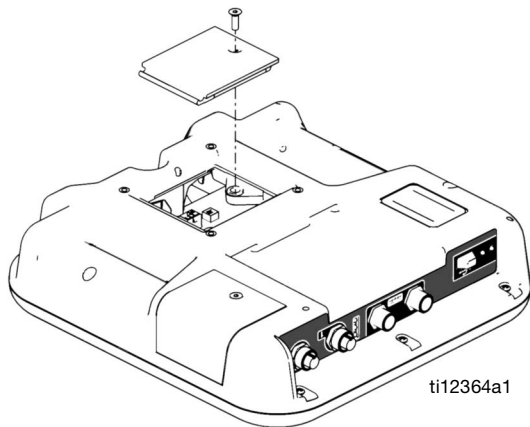


Battery Replacement

A lithium battery maintains the ADM clock when power is not connected.

To replace the battery:

1. Perform the **Shutdown** procedure on page 27.
2. Disconnect power to the ADM. This can be done by removing the CAN cable from the bottom of the ADM.
3. Remove battery access cover.



4. Remove the old battery and replace with a new CR2032 battery.
5. Properly dispose the old lithium battery according to local codes.
6. Replace battery access cover.
7. Connect the power to the ADM and reset the clock through **Advanced Screen 1**. See **Advanced Screen 1** on page 64.

Cleaning

Use any alcohol-based household cleaner, such as glass cleaner, to clean the ADM. Spray on the rag then wipe ADM. Do not directly spray the ADM.

Grease Cup Maintenance

Frequency of greasing intervals is dependent on material being pumped. As a basic schedule, lubricate pump with grease after 250 gallons of product (five drums of 55 gallon pails) has been passed through the pump.

If the grease has become hardened, remove the hardened materials or grease. Shorten the intervals between greasing the pump.

If the grease remains clear and free of material, intervals between greasing the pump can be increased.

To Grease the Pump:

1. Locate the grease fitting (146) mounted to the back cover near the pump that is being greased.

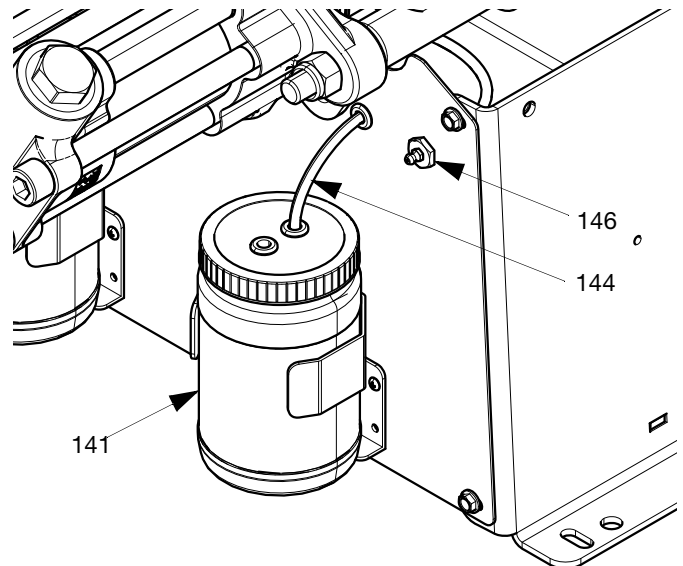
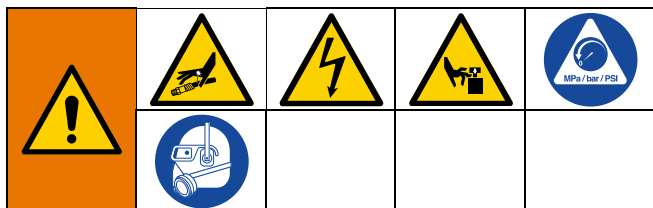


FIG. 13

2. Attach grease gun to the grease fitting (146). Pump new grease into fitting until fresh grease is observed discharging from grease relief tube (144) into the grease reservoir bottle (141).
3. Repeat for the other side.

Troubleshooting



NOTE: For Online help, visit <http://help.graco.com> for causes and solutions to each error code.

1. Follow **Pressure Relief Procedure**, page 27.
2. Check all possible problems and causes before disassembling.
3. Turn the power disconnect switch OFF.

Try the recommended solutions in the order given for each problem, to avoid unnecessary repairs. Also, determine that all circuit breakers, switches, and controls are properly set and wiring is correct before assuming there is a problem.

Problem	Cause	Solution
General		
Display Module completely dark	No Power	Verify the power disconnect switch (C) is ON
	Loose Connection	Tighten 5-pin cable on the Advanced Display Module
	Bad Display Module	Replace the Advanced Display Module
No or incorrect amount of material dispensed from either side	Ball Valve closed (if Installed)	Open supply ball valve.
	Supply Empty	Add fluid
	Air in Material	Prime the machine
Significant material leaking from pump seal	Pump shaft worn and/or shaft seal worn	Remove the pump shaft assembly and reinstall read pump rebuild kit
Material dispensed not correct weight	Specific gravity of one or more of the two materials has changed since setup	Check the specific gravity and re-enter in the setup screens
	Check valve malfunction	Remove the check valve; clean or replace as necessary
	Piston worn or broken	Replace the piston
The wrong inlet pressure kit is installed	The dial position on the inlet pressure fluid cube is not set correctly	Set the inlet pressure fluid cube to the correct dial position: 25B128: Dial position 0 25U084: Dial position 1

Problem	Cause	Solution
The wrong pressure is displayed on the ADM/CGM	The dial position on the pressure fluid cube is not set correctly	Set the inlet pressure fluid cube to the correct dial position: 25B128: Dial position 0 25U084: Dial position 1
	Incorrect pressure transducer is being used	Verify that the correct pressure transducer is being used. Change if necessary. 25B128: [0-2000 psi (13.8MPa, 138 bar)] Use 15M669 pressure transducer 25U084: [0-500 psi (3.45 MPa, 34.5 bar)] Use 16P289 pressure transducer
	Bad pressure transducer	Replace the pressure transducer
Proportioning System		
Proportioning pump does not hold pressure when stalled	Pump piston or intake valve leaking	<ol style="list-style-type: none"> 1. Observe gauge to determine which pump is losing pressure. 2. Determine in which direction the pump has stalled by observing which directional valve indicator light is on. 3. Repair the valve.
Material imbalance	Inadequate flow from pump;	Increase fluid supply to proportioning pump: <ul style="list-style-type: none"> • Use minimum 3/4 in. (19 mm) ID supply hose, as short as practical
		Clean inlet strainer screen
		Worn pump inlet valve ball/seat or gasket
Erratic pump movement	Pump cavitation	Feed pump pressure is too low. Adjust pressure to maintain 100 psi (0.7 MPa, 7 bar) minimum.
Pump output low	Obstructed fluid hose or dispense valve; fluid hose ID too small	Open, clear; use hose with larger ID.
	Worn piston valve or intake valve in displacement pump	See pump manual 3A0019.
	Inadequate feed pump pressure	Check feed pump pressure and adjust to 100 psi (0.7 MPa, 7 bar) minimum.

EFR Error Codes

Error Code	Code Description	Cause	Solution
A4NX	High current motor	Inlet pressure too high, causing retract stroke to require too much torque	Reduce inlet supply pressure.
		Pump sizes too large for motor to drive out the operating pressure	Reduce combined pump size. Reduce outlet flow rate or outlet operating pressure.
		Wrong pump sizes programmed into the system	Verify the pump sizes in the setup screen are correct for the pumps installed on the system.
B3CX	Gel Shot - Not In Location	The Gel Timer Purge Location is not met	No action necessary if desired. If not desired move to purge location, and change mixer if needed. Dispense a sequence to resume Gel Timer.
CAC1	Comm. Error Red Tank Stand	System is unable to communicate with Red Tank Stand	Verify CAN cable is plugged in
			Remove and reconnect CAN cable, taking care not to cross thread the connector nut.
CAC2	Comm. Error Blue Tank Stand	System is unable to communicate with Blue Tank Stand	Verify CAN cable is plugged in
			Remove and reconnect CAN cable, taking care not to cross thread the connector nut.
CACA	Comm. Error Advanced Display	System is unable to communicate with Advanced Display Module (ADM)	Verify CAN cable is plugged in
			Remove and reconnect CAN cable, taking care not to cross thread the connector nut.
CACC	Comm. Error Gateway	System is unable to communicate with Communications Gateway Module (CGM)	Verify CAN cable is plugged in
			Remove and reconnect CAN cable, taking care not to cross thread the connector nut.
CACF	Comm. Error Fluid Control Module	System is unable to communicate with Fluid Control Module (FCM)	Verify CAN cable is plugged in
			Remove and reconnect CAN cable, taking care not to cross thread the connector nut.
CACM	Comm. Error Motor Control Module	System is unable to communicate with Motor Control Module (3MCP)	Verify CAN cable is plugged in
			Remove and reconnect CAN cable, taking care not to cross thread the connector nut.
CACV	Comm. Error Voltex Dynamic Mix Valve Module	No 24 VDC power supply to ADM	Reconnect or replace CAN cable connecting FCM and ADM. If CAN connection good, check 24V power supply wiring inside the controller enclosure. Make sure AC power to control enclosure is turned off before checking power supply. Yellow LED on FCM should be flashing.
		Cross threaded CAN cable	CAN cables carry 24 V DC power and communication between modules. A cross threaded CAN cable connector may cause problems with communication and/or power to modules. Carefully check for cross threaded CAN connections on the ADM and FCM. Yellow LED on FCM board should be flashing.
CCCC	Comm. Error Gateway	Automation gateway lost communication with automation controller	Verify fieldbus cable is properly connected.
			Verify host is communicating.
DDDA	Pump Cavitation A	Out of material	Verify A material supply
		Check valve not working properly	Inspect and clean A side check valve. Check for leaking seals or damage to the ball

Error Code	Code Description	Cause	Solution
DDDB	Pump Cavitation B	Out of material	Verify B material supply
		Check valve not working properly	Inspect and clean B side check valve. Check for leaking seals or damage to the ball
DHDA	Leak Detected Outlet A	Pressure leaking from A side while stalled at pressure	Visually inspect the machine and hoses for signs of material leakage.
			Inspect seals in pump and ball check.
DHDB	Leak Detected Outlet B	Pressure leaking from B side while stalled at pressure	Visually inspect the machine and hoses for signs of material leakage.
			Inspect seals in pump and ball check.
ECAA	Air Nucleation Disabled for Dispense	The air nucleation dispense button was pressed on the home run screen and a dispense occurred.	No action necessary if desired. If not desired, press the button on the run screen again to enable the air nucleation during dispensing.
ECMA	Motor Spinning Disabled for Dispense	The air nucleation dispense button was pressed on the home run screen and a dispense occurred.	No action necessary if desired. If not desired, press the button on the run screen again to enable the motor during dispensing.
F3NX	Unable to Maintain Flow Rate	Pump is unable to deliver the desired flow rate	Reduce flow rate
			Increase pump sizes
			Measure line voltage. Low line voltage may reduce maximum operating flow rate.
F4NX	Setting Exceeds Max Output	Pump cannot cycle fast enough to achieve the desired flow rate	Reduce flow rate
			Increase pump sizes
L1TA	Red Tank Sensor Failure	Bad level sensor(s)	Replace level sensor(s)
L2TA	Red Low Material	Tank low on material	Fill tanks with material
		Loose/broken connection	If the tanks appear to have plenty of material, check to make sure the level sensor(s) is connected to the proper port and that the cord is not damaged.
		Bad level sensor(s)	Replace level sensor(s)
L3TA	Red High Material Level	Defective fill valve	If the tanks appear to have plenty of material, check to make sure the level sensor is connected to the proper port and that the cord is not damaged
			Replace fill valve is leaking
		Bad level sensor	Replace level sensor
L6TA	Red Auto Refill Timeout	No material is actually being fed	Make sure the feed pumps are operating properly
		Loose level sensor connection	Check for loose or disconnected wires or plugs
		Bad level sensor	Replace level sensor
L1TB	Blue Tank Sensor Failure	Bad level sensor(s)	Replace level sensor(s)
L2TB	Blue Low Material	Tank low on material	Fill tanks with material
		Loose/broken connection	If the tanks appear to have plenty of material, check to make sure the level sensor(s) is connected to the proper port and that the cord is not damaged.
		Bad level sensor(s)	Replace level sensor(s)

Error Code	Code Description	Cause	Solution
L3TB	Blue High Material Level	Defective fill valve	If the tanks appear to have plenty of material, check to make sure the level sensor is connected to the proper port and that the cord is not damaged. Replace fill valve is leaking
		Bad level sensor	Replace level sensor
L6TB	Blue Auto Refill Timeout	No material is actually being fed	Make sure the feed pumps are operating properly
		Loose level sensor connection	Check for loose or disconnected wires or plugs
		Bad level sensor	Replace level sensor
MAA0	Pump A Cycles Exceeds Limit Setting	The number of Pump A (or B) cycles has exceeded the limit entered on the Setup Maintenance 1 screen	Raise or enter 0 in the corresponding cycle counter limit. Set the corresponding Pump or Dispense Valve counter to 0.
MAB0	Pump B Cycles Exceeds Limit Setting		
MED1	Dispense Valve Cycles Exceeds Limit Setting		
P1DA	Low Pressure Alarm Outlet A	Pressure A is below user-defined dispense pressure limit	Check feed system for low or empty material.
			Increase dispense rate.
			Check pressure settings on setup screen.
P1DB	Low Pressure Alarm Outlet B	Pressure B is below user-defined dispense pressure limit	Check feed system for low or empty material.
			Increase dispense rate.
			Check pressure settings on setup screen.
P1FA	Low Pressure Alarm Inlet A	Pressure A is below user-defined dispense pressure limit	Check feed system for low or empty material.
			Check feed system filters for blockage if installed.
			Check for blockage in feed system.
			Check pressure settings on setup screen.
P1FB	Low Pressure Alarm Inlet B	Pressure B is below user-defined dispense pressure limit	Check feed system for low or empty material.
			Check feed system filters for blockage if installed.
			Check for blockage in feed system.
			Check pressure settings on setup screen.
P2DA	Low Pressure Deviation Outlet A	Pressure A is below user-defined dispense pressure limit	Check feed system for low or empty material.
			Increase dispense rate.
			Check pressure settings on setup screen.
P2DB	Low Pressure Deviation Outlet B	Pressure B is below user-defined dispense pressure limit	Check feed system for low or empty material.
			Increase dispense rate.
			Check pressure settings on setup screen.

Error Code	Code Description	Cause	Solution
P2FA	Low Pressure Deviation Inlet A	Pressure A is below user-defined dispense pressure limit	Check feed system for low or empty material.
			Check feed system filters for blockage if installed.
			Check for blockage in feed system.
			Check pressure settings on setup screen.
P2FB	Low Pressure Deviation Inlet B	Pressure B is below user-defined dispense pressure limit	Check feed system for low or empty material.
			Check feed system filters for blockage if installed.
			Check for blockage in feed system.
			Check pressure settings on setup screen.
P3FA	High Pressure Deviation Inlet A	Pressure A exceeds user-defined dispense pressure limit.	Check settings on feed system, decrease pressure if necessary.
			Check pressure settings on setup screen.
P3FB	High Pressure Deviation Inlet B	Pressure B exceeds user-defined dispense pressure limit.	Check settings on feed system, decrease pressure if necessary.
			Check pressure settings on setup screen.
P3FC	High Pressure Deviation Inlet A	Pressure A exceeds user-defined dispense pressure limit.	Check settings on feed system, decrease pressure if necessary.
			Check pressure settings on setup screen.
P3FD	High Pressure Deviation Inlet B	Pressure B exceeds user-defined dispense pressure limit.	Check settings on feed system, decrease pressure if necessary.
			Check pressure settings on setup screen.
P3DA	High pressure outlet A	Pressure A exceeds user-defined limit	Inspect for hardened materials or obstructions to flow
			Attempt to purge material at a reduced flow rate
			Reduce operating pressure by reducing flow rate and/or restriction in the hose and valve
			Check pressure settings on setup screen
P3DB	High pressure outlet B	Pressure B exceeds user-defined limit	Inspect for hardened material or obstructions to flow.
			Attempt to purge material at a reduced flow rate.
			Reduce operating pressure by reducing flow rate and/or restriction in the hose and valve.
			Check pressure settings on setup screen

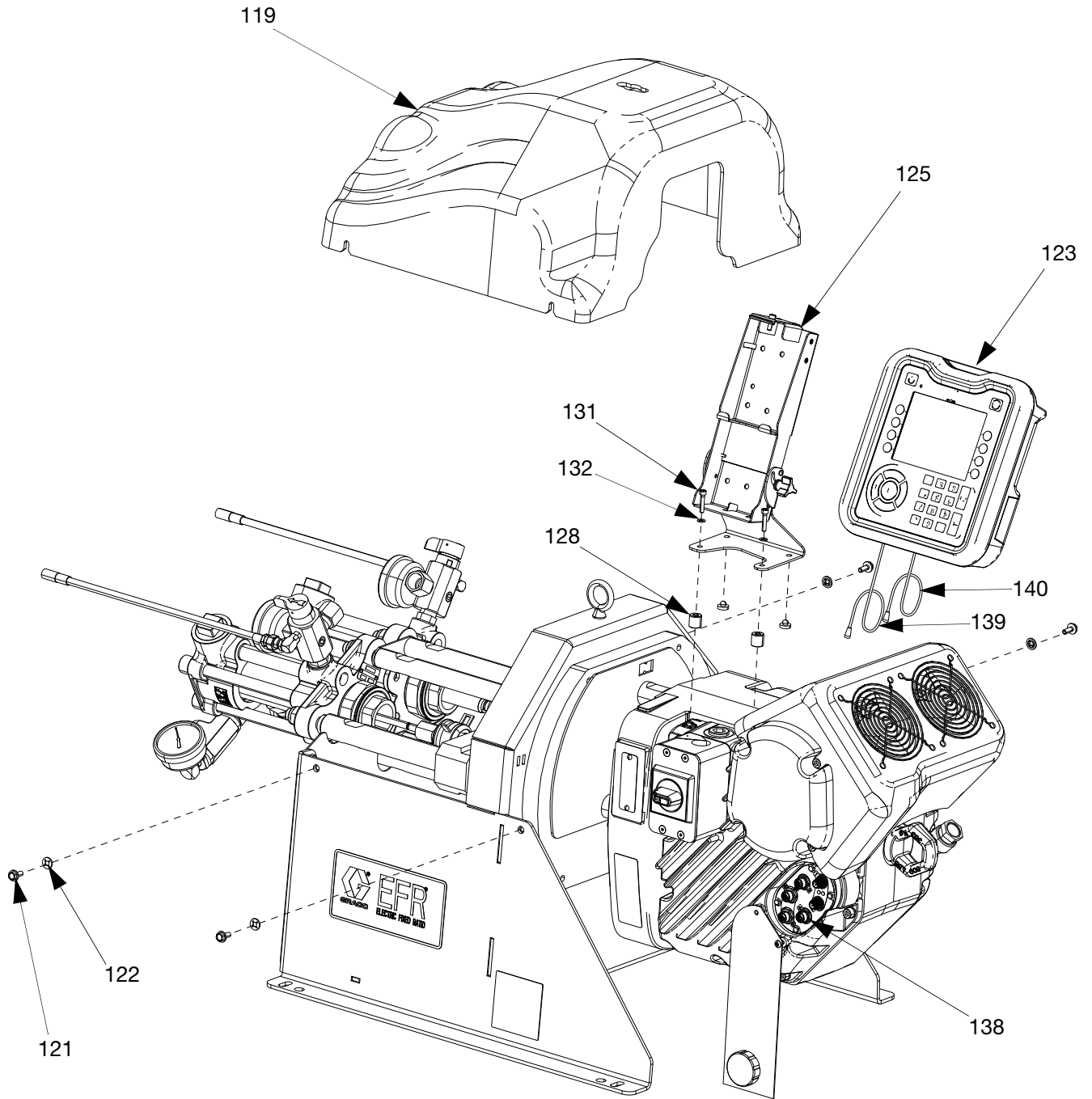
Error Code	Code Description	Cause	Solution
P3DC	High Pressure Deviation Outlet A	Pressure A exceeds user-defined dispense pressure limit.	Inspect for hardened material or obstructions to flow
			Attempt to purge material at a reduced flow rate
			Reduce operating pressure by reducing flow rate and/or restriction in the hose and valve
			Check pressure settings on setup screen.
P3DD	High Pressure Deviation Outlet B	Pressure B exceeds user-defined dispense pressure limit.	Inspect for hardened material or obstructions to flow.
			Attempt to purge material at a reduced flow rate.
			Reduce operating pressure by reducing flow rate and/or restriction in the hose and valve.
			Check pressure settings on setup screen.
P4DA	High Pressure Outlet A	Pressure A exceeds system limit	Inspect for hardened material or obstructions to flow.
			Attempt to purge material at a reduced flow rate.
			Reduce operating pressure by reducing flow rate and/or restriction in the hose and valve.
P4DB	High Pressure Outlet B	Pressure B exceeds system limit	Inspect for hardened material or obstructions to flow.
			Attempt to purge material at a reduced flow rate.
			Reduce operating pressure by reducing flow rate and/or restriction in the hose and valve.
P4DC	High Pressure Alarm Outlet A	Pressure A exceeds user-defined dispense pressure limit.	Inspect for hardened material or obstructions to flow.
			Attempt to purge material at a reduced flow rate.
			Reduce operating pressure by reducing flow rate and/or restriction in the hose and valve.
P4DD	High Pressure Alarm Outlet B	Pressure B exceeds user-defined dispense pressure limit.	Inspect for hardened material or obstructions to flow.
			Attempt to purge material at a reduced flow rate.
			Reduce operating pressure by reducing flow rate and/or restriction in the hose and valve.

Error Code	Code Description	Cause	Solution
P4FA	High Pressure Alarm Inlet A	Pressure A exceeds user-defined dispense pressure limit.	Check settings on feed system, decrease pressure if necessary.
			Check pressure settings on setup screen.
P4FB	High Pressure Alarm Inlet B	Pressure B exceeds user-defined dispense pressure limit.	Check settings on feed system, decrease pressure if necessary.
			Check pressure settings on setup screen.
P6DA	Pressure Sensor Error Outlet A	Loose or bad sensor connection to Motor Control Module	Check to make sure that the pressure sensor is properly connected to connector 6 of the Motor Control Module (MCM)
		Faulty sensor	Replace the Pressure Sensor
P6DB	Pressure Sensor Error Outlet B	Loose or bad sensor connection to Motor Control Module	Check to make sure that the pressure sensor is properly connected to connector 5 of the Motor Control Module (MCM)
		Faulty sensor	Replace the Pressure Sensor
P6FA	Pressure Sensor Error Inlet A	Loose or bad sensor connection to Motor Control Module	Check to make sure that the pressure sensor is properly connected to the connector 6 of the Fluid Control Module (FCM).
		Faulty sensor	Replace the Pressure Sensor
P6FB	Pressure Sensor Error Inlet B	Loose or bad sensor connection to Motor Control Module	Check to make sure that the pressure sensor is properly connected to connector 5 of the Fluid Control Module (FCM).
		Faulty sensor	Replace the Pressure Sensor
P7DA	Pressure Imbalance High A	Dispense line is clogged	First try purging fresh material through the system. Then relieve pressure and check for cured material or obstructions in the dispense valve.
		Orifice restrictions sized incorrectly	Adjust orifice restrictions to balance pressure of A and B materials
		Out of material	Verify B material supply
		Pressure imbalance is defined too low	Increase pressure imbalance amount from the Setup screen of the Advanced Display Module (ADM)
P7DB	Pressure Imbalance High B	Dispense line is clogged	First try purging fresh material through the system. Then relieve pressure and check for cured material or obstructions in the dispense valve.
		Orifice restrictions sized incorrectly	Adjust orifice restrictions to balance pressure of A and B materials
		Out of material	Verify A material supply
		Pressure imbalance is defined too low	Increase pressure imbalance amount from the Setup screen of the Advanced Display Module (ADM)
T4NX	High Temperature Motor	Cooling fans not working properly	Ensure cooling fans are clear of obstructions and operating properly
V1NX	Low Voltage Motor	AC voltage is too low	Check wire connections and verify line voltage is within specification
V4NX	High Voltage Motor	AC voltage is too high	Verify line voltage is within specification
WBNX	Encoder Error Motor	Encoder not plugged in	Ensure encoder connector is fully plugged into the circuit board inside the driver
		Faulty encoder	Replace encoder
WMNX	Controller Fault Motor	Faulty circuit board	Replace motor control circuit board

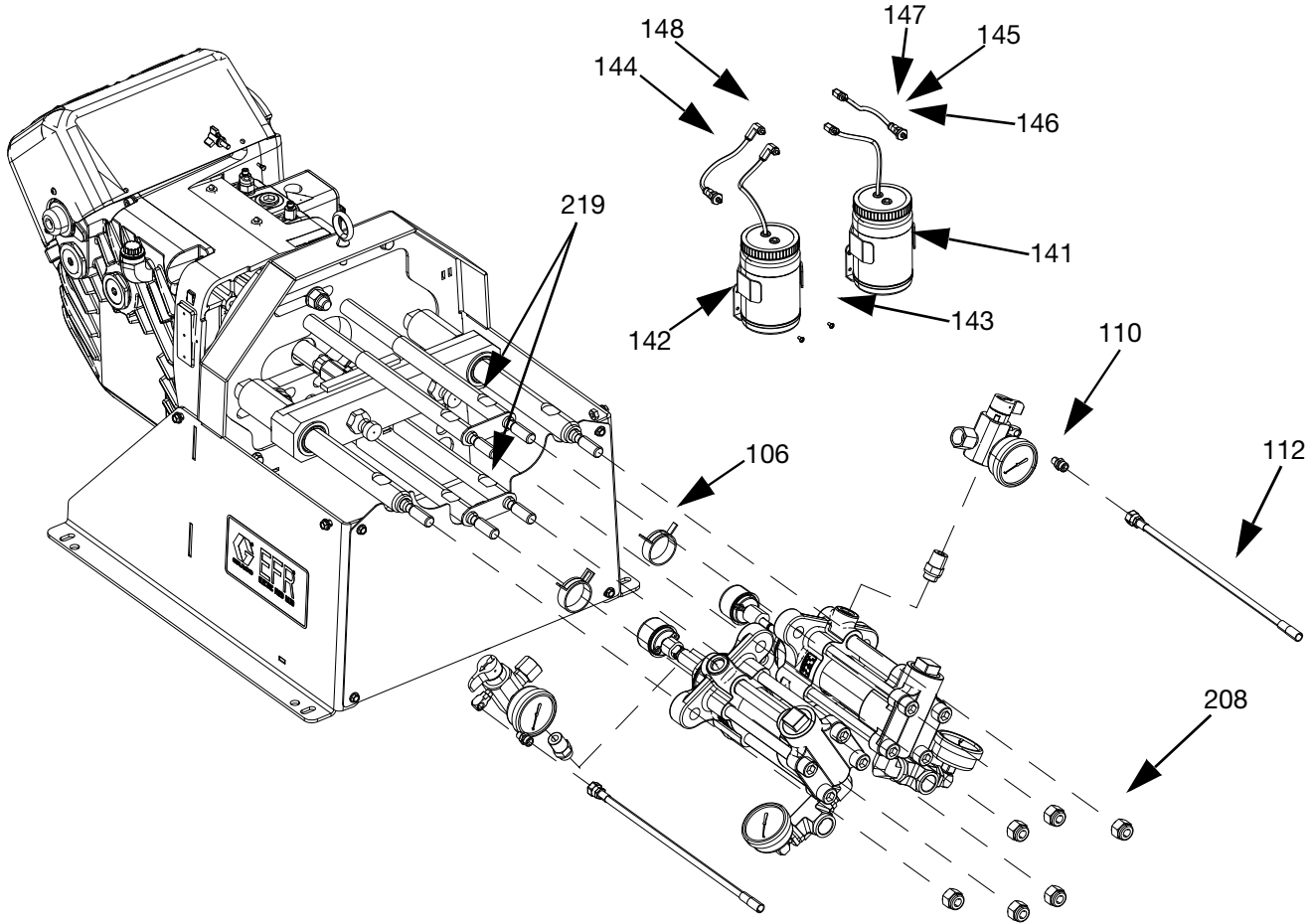
Error Code	Code Description	Cause	Solution
WVCX	Vortex Dynamic Mix Valve Motor Fault	Over Torque	Cycle Power. Increase Ramp up time. Cycle power to unit. Clean mixer. Cycle power to unit.
		No power to motor	Make sure that motor has power. Check power supply if need cycle power.
W5NX	Encoder Calibration Motor	Encoder not calibrated	Calibrate the Encoder from the maintenance screen of the Advanced Display Module (ADM)

Parts

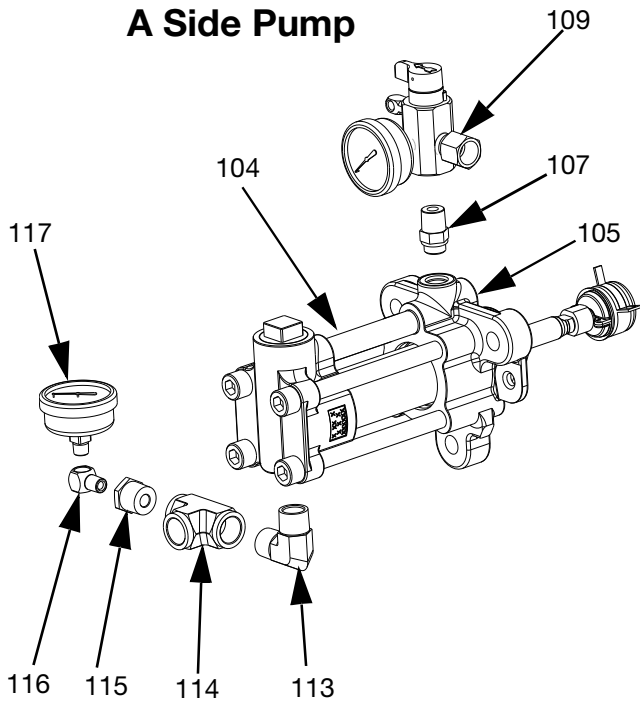
EFR Common System Parts



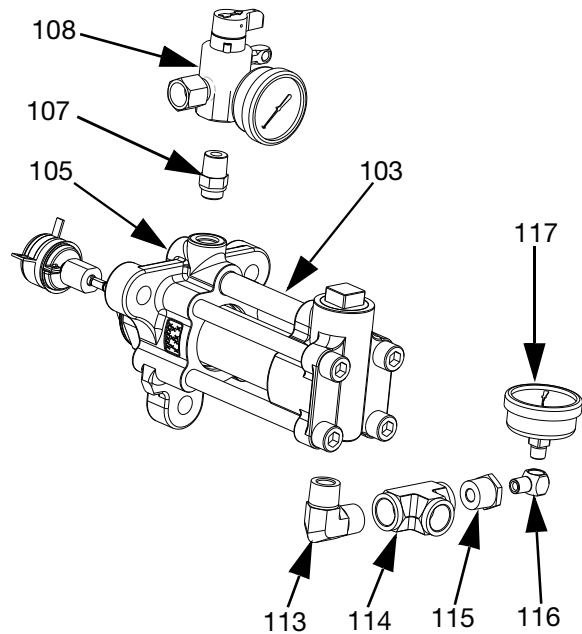
Fluid Section



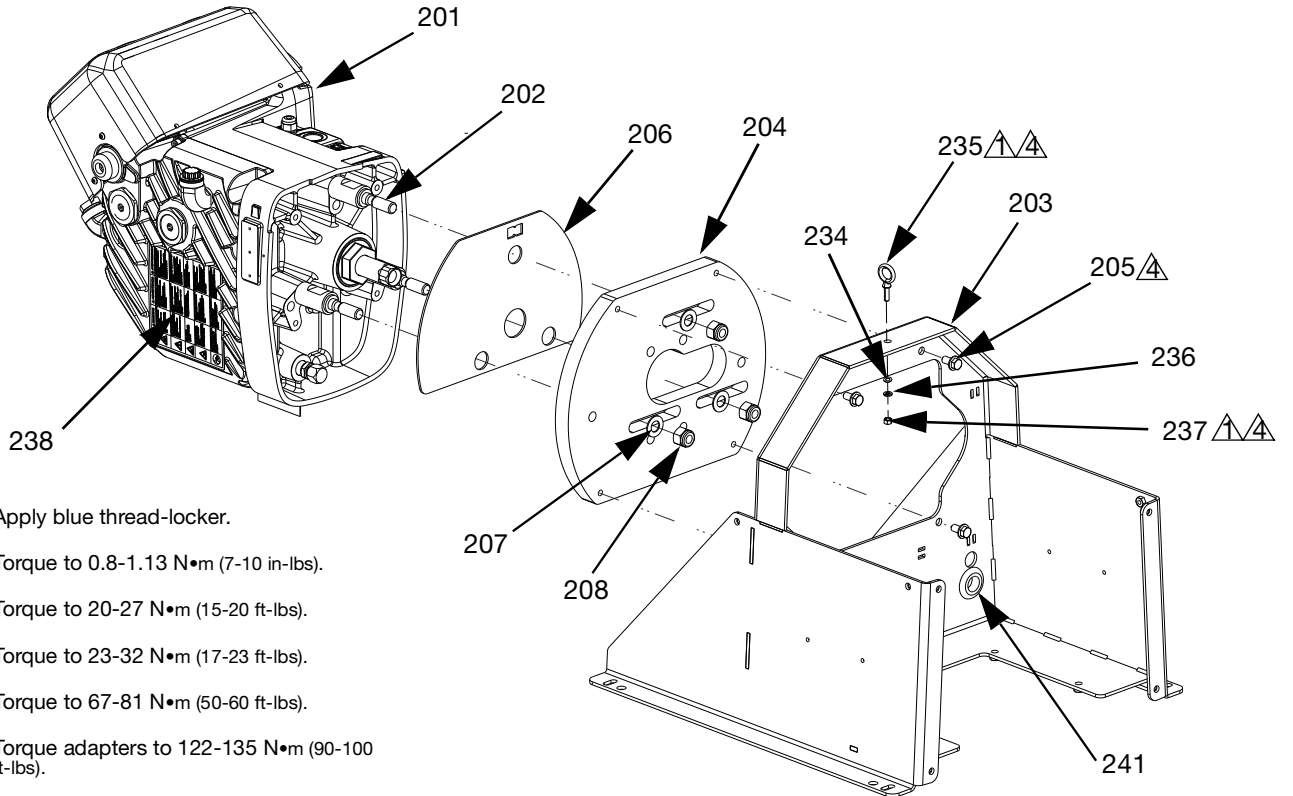
A Side Pump



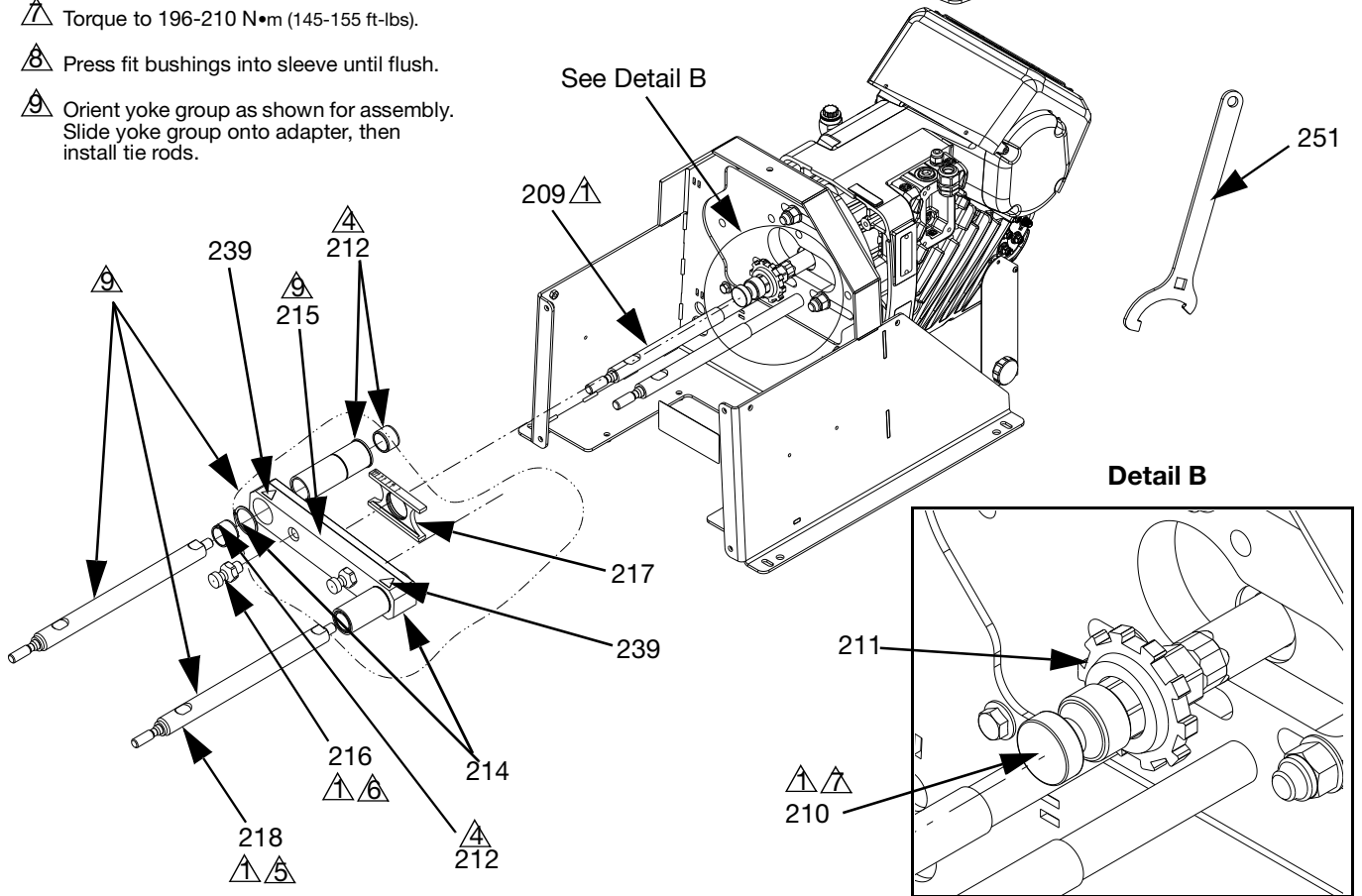
B Side Pump



Driver and Yoke Assembly



- Apply blue thread-locker.
- Torque to 0.8-1.13 N•m (7-10 in-lbs).
- Torque to 20-27 N•m (15-20 ft-lbs).
- Torque to 23-32 N•m (17-23 ft-lbs).
- Torque to 67-81 N•m (50-60 ft-lbs).
- Torque adapters to 122-135 N•m (90-100 ft-lbs).
- Torque to 196-210 N•m (145-155 ft-lbs).
- Press fit bushings into sleeve until flush.
- Orient yoke group as shown for assembly. Slide yoke group onto adapter, then install tie rods.



Parts Common to All Systems

Ref.	Part	Description	Qty.
103	See Table	LOWER, chemical, SST (B-side)	1
104	See Table	LOWER, chemical, SST (A-side)	1
105	15M669	SENSOR, pressure, fluid outlet	2
106	124078	CLAMP, spring, constant tension	2
112†	16W043	TUBE, pressure relief	2
119	25E100	SHROUD, pump yoke	1
121	114182	SCREW, flange head	4
122	16V153	WASHER, retaining	4
123	26B019	KIT, adm, efr	1
125**	26B020	BRACKET, adm (includes 128, 131, and 132)	1
128**	---	SPACER, adm bracket	2
131**	---	SCREW	2
132**	---	WASHER	2
138	128441	CABLE, gca, m12, 8 pin	1
139	120997	CABLE, single-ended, m12, 5-pin	1
140	127068	CABLE, can, 1M	1
141	258707	RESERVOIR, bottle, assy	2
142	297216	BRACKET, reservoir	2
143	295187	SCREW, 8-32 x 3/8	4
144	---	TUBE, nylon , 2.5 ft.	1
145	133893	BULKHEAD, M5	2
146	130883	FITTING, grease, M5	2
147	114332	FITTING, connector, male	2
148	120923	FITTING, elbow, swivel	4
201	25N520	DRIVER	1
202	17E535	TIE ROD	3
203	25E099	FRAME	1
204	---	PLATE	1
205	112395	SCREW	4
206	---	RATIO PLATE	1
207	154636	WASHER	3
208	113980	NUT	9
209	262468	ROD, tie, 14.25 long	4
210	16D450	ADAPTER	1
211	16D451	NUT, yoke	1
212	18B542	SLEEVE, bearing	2
214	123976	RING, snap, external	2
215	262471	YOKE	1
216	15H392	ADAPTER, rod	2
217	---	RATIO INDICATOR	1
218	262469	ROD, tie, 14.25 long, 1.25 dia	2
219	16E882	STRAP, lowers	2
234	108851	WASHER, plain	1
235	---	BOLT, eye, 3/8-16, 1300 lb	1
236	---	WASHER, lock, 3/8	1

Ref.	Part	Description	Qty.
237	U90126	NUT, hex, 3/8-16	1
238▲	17Y723	LABEL, safety, warning, horizontal	1
239▲	15H108	LABEL, safety, warning, pinch	2
241	16H888	GROMMET, push-in	1
251	15T258	TOOL, spanner wrench	1

Parts That Vary by Material Selection

Ref.	Part		Description	Qty.
	Carbon Steel	Stainless Steel		
107†	123719	131783	FITTING, adapter, ORB x NPT	2
108†	26B018	26B429	MANIFOLD, assy, B-side	1
109†	26B129	26B229	MANIFOLD, assy, A-side	1
110†	191872	191929	FITTING, adapter	2
113†	295847	121116	FITTING, elbow, 3/4 npt	2
114†	801787	113833	FITTING, tee	2
115†	100615	516308	BUSHING	2
116†	100840	166866	FITTING, elbow, 1/4 npt	2
117†	113641	113641	GAUGE	2

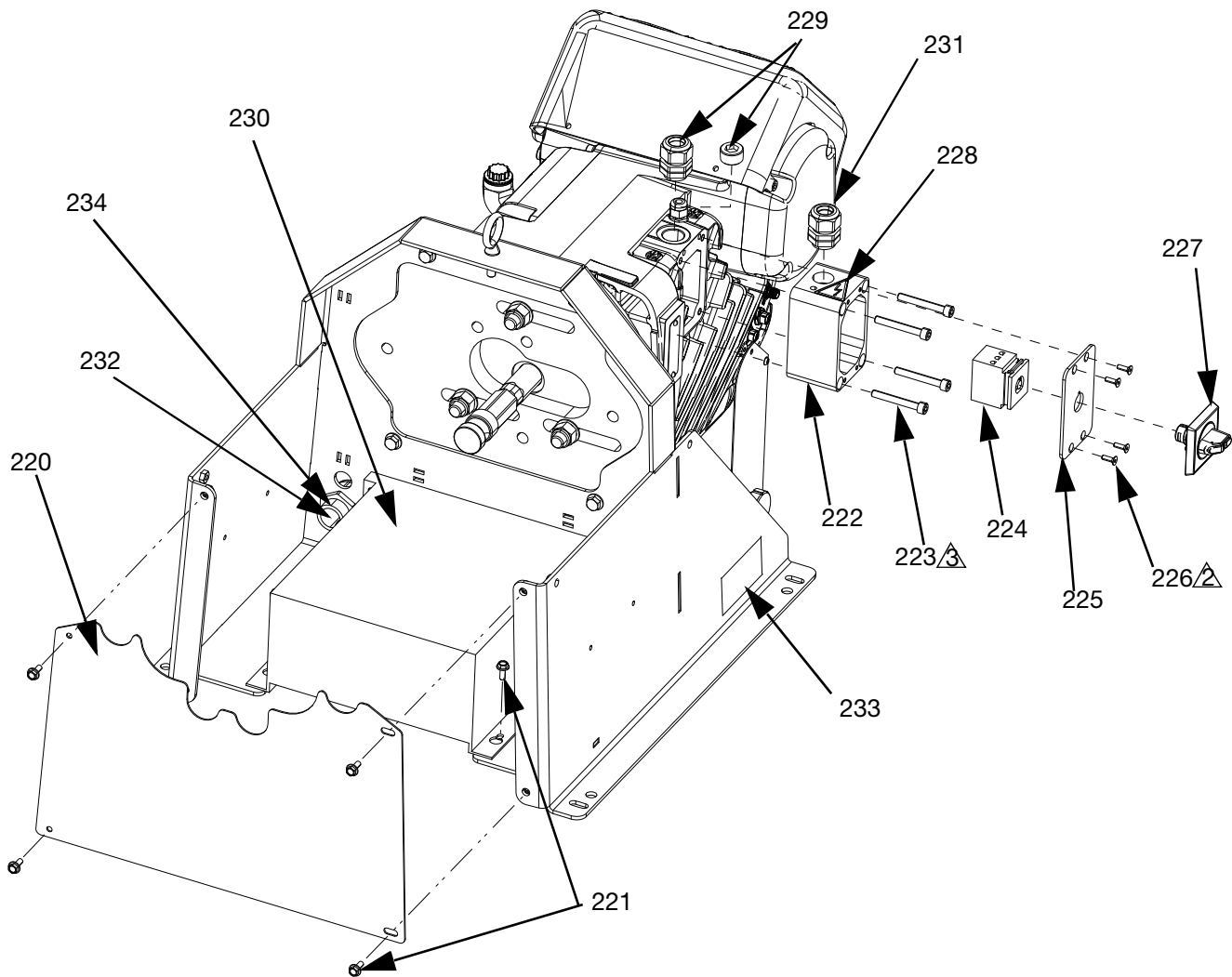
* Not shown

** Included in ADM Bracket Kit 26B020.

† Included in manifold and fittings kit 26B021 (for carbon steel) and 26B022 (for stainless steel).

▲ Replacement safety labels, tags, and cards are available at no cost.

Electrical Assembly



Ref.	Description	240V Systems		480 V Systems	
		Part	Qty.	Part	Qty.
220	COVER, pump, lower	25E103	1	25E103	1
221†	SCREW	114182	4	114182	8
222	JUNCTION BOX	---	1	---	1
223	SCREW	117080	4	117080	4
224	SWITCH, disconnect, 40A	123970	1	123970	1
225	COVER, junction box	---	1	---	1
226	SCREW	113768	4	113768	4
227	KNOB, disconnect, panel	---	1	---	1
228▲	LABEL, caution	189930	1	189930	1
229†	PLUG, headless 3/4 npt	102726	1	---	-
	FITTING, conduit, 3/4 npt	---	-	---	1
230†	TRANSFORMER, 480V	---	-	---	1

Ref.	Description	240V Systems		480 V Systems	
		Part	Qty.	Part	Qty.
231	CORD GRIP, strain relief, 3/4-14 NPT male, cable range 0.35-0.63 in. (8.9-16 mm)	121171	1	121171	1
232†	BUSHING, strain relief, 1"	---	-	126881	1
233▲	LABEL, safety, danger	---	-	25E178	1
234†	NUT, strain relief, 1"	---	-	126891	1
240*†	HARNES, transformer, efr	---	-	---	1

* Not shown

† Included in Transformer Kit 26A703

▲ Replacement safety labels, tags, and cards are available at no cost.

Accessories

NOTE: See the MD2 Valve Instructions-Parts manual for more information on mixers and accessories.

Voltex Dynamic Mix Valve

Part	Description
25T670	Voltex Dynamic Mix Valve
25T750	Voltex Dynamic Mix Valve, Integrated

Applicator

Part	Description
255179	Valve, Dispense, 1:1, Soft Seats
255180	Valve, Dispense, 1:1, Hard Seats
255181	Valve, Dispense, 10:1, Soft Seats
255182	Valve, Dispense, 10:1, Hard Seats

Dispense Valve Interface Kit

Part	Description
26C485	MD2 Valve Solenoid, with cable

Inlet Regulator Kits

Part	Description
26A704	SS Mastic Regulator Kit with fittings
26A705	CS Mastic Regulator Kit with fittings

Additional Accessories

Miscellaneous

Part	Description
121728	ADM Extension Cable, 4 meter
255244	Foot Switch with Guard and 4 meter Cable
172431	Foot Switch, 4 meter adapter cable, 8-pin to 5-pin
120997	Valve Control or Remote Sequence select, 4 meter M12 pigtail cable.
128441	Integration/Trigger Cable, 4 meter 8-pin M12 pigtail
127948	Foot Switch or Remote Sequence Select, Splitter cable, 3x 8-pin M12

Communications Gateway Module (CGM)

The EFR Communication Gateway Module allows the user to control an EFR through an external control device such as a PLC. See EFR Communication Gateway Module manual for more information.

Part	Description
25B127	DeviceNet CGM Kit
26A700	EtherNet/IP CGM Kit
26A701	PROFIBUS CGM Kit
26A702	PROFINET CGM Kit

EFR Supply System Accessories

Ram Supply Systems for EFR (A and B Side)

NOTE: Do not use with Day Tanks or Recirculation.

Part	Description
CM7C3F	20:160 cc Stainless Steel, 5 Gallon (20L) Flat Stainless Steel Platen
CM7C58	20:160 cc Stainless Steel, 55 Gallon (200L) PTFE Coated Aluminum Platen
CM254F	23:1 200 cc Stainless Steel, 5 Gallon (20L) Flat Stainless Steel Platen
CM2559	23:1 200 cc Stainless Steel, 55 Gallon (200L) PTFE Coated Aluminum Platen
CM7A59	20:160 cc Carbon Steel, 55 Gallon (200L) PTFE Coated Aluminum Platen
CM7A3C	20:1 60 cc Carbon Steel, 5 Gallon (20L) Flat Carbon Steel Platen
CM214B	23:1 200 cc Carbon Steel, 5 Gallon (20L) Flat Carbon Steel Platen
CM2159	23:1 200 cc Carbon Steel, 55 Gallon (200L) PTFE Coated Aluminum Plate

Ram Supply System Hoses for EFR (A and B Side)

NOTE: Only for use with Rams.

Part	Description
17K273	10 FT - 3/4" OD SST Braided PTFE Hose-3000 PSI (21 Mpa,207 bar) WP (For Ram only)
17K274	15 FT - 3/4" OD SST Braided PTFE Hose - 3000 PSI (21 Mpa,207 bar) WP (For Ram only)
17K278	10 FT - 1" OD SST Braided PTFE Hose - 3000 PSI (21 Mpa,207 bar) WP (For Ram only)
17K279	15 FT - 1" OD SST Braided PTFE Hose - 3000 PSI 3000 PSI (21 Mpa,207 bar) WP (For Ram only)

Drum Supply Pumps for EFR (A and B Side)

NOTE: For supplying material to EFR directly out of a 55 gallon drum.

Part	Description
24E397	Kit, Complete, 2:1, 55 gallon Drum, Single, SS Only
24G714	Kit, Complete, 5:1, 55 gallon Drum, Single, SS Only

Drum Agitator for EFR (A and B Side)

Part	Description
25C534	Agitator, Helix, SST (For 55 gallon drum only)

Day Tanks for EFR (A and B Side)

NOTE: Not to be used with Rams or highly viscous materials.

Part	Description
24D568	38L Tank, No Agitation, No Level Sensors
24D569	38L Tank, No Agitation, 2 Level Sensors
24D570	38L Tank, Agitation, 2 Level Sensors
24D571	38L Tank, Agitation, Slinger Plate, 2 Level Sensors
24D574	75L Tank, No Agitation, No Level Sensors
24D575	75L Tank, No Agitation, 2 Level Sensors
24D576	75L Tank, Agitation, 2 Level Sensors
24D577	75L Tank, Agitation, Slinger Plate, 2 Level Sensors

Day Tank Accessories (A and B Side)

Part	Description
257770	Refill Kit For Customer Supplied Feed System
257778	Nitrogen Kit For 1 Tank
257779	Nitrogen Kit For 2 Tanks
257916	Vacuum Pump Kit, 6.9 cfm, 1st, 230V, 1 phase
24D271	3rd Level Sensor Prox Switch Option
LC0097	Desiccant Dryer, 3/8 in. Npt with Adapter and Cartridge
LC0098	Desiccant Dryer Refill Cartridge
25U084	Kit, Inlet Transducer, EFR, 0-500

Day Tank Power Cord for EFR (A and B Side)

NOTE: Only needed with Day Tanks with Level Sensors and/or Agitation.

Part	Description
121055	CORD SET, US, MX, PR, CA, TW,115V,10A
121054	CORD SET, US, 250V, 10A, 10FT
121056	CORD SET, FR, GER, IS, NL, NO, TR, 250V
121057	CORD SET, UK, IE, MY, SG, 250V, 10A
121058	CORD SET, ISRAEL, 250V, 10A
124864	CORD SET, ADPTR, AUSTRALIA, 8 FT
124861	CORD SET, ADPTR, ITALY, 8 FT
124863	CORD SET, ADPTR, SWITZERLAND, 8 FT
124862	CORD SET, ADPR, DENMARK, 8 FT
121060	CORD SET, S AFRICA, INDIA, 250V, 16A

EFR Inlet Pressure (A and B Side)

Part	Description
26A704	EFR Stainless Steel Inlet Mastic Regulator Kit (>15,000 Cps)
26A705	EFR Carbon Steel Inlet Mastic Regulator Kit (>15,000 Cps)
244734	EFR 55 or CS Inlet Cartridge Regulator Kit (<15,000 Cps)
25B128	EFR Inlet Pressure Transducer Kit, 0-2000 psi (13.8 MPa, 138 bar)
25U084	EFR Inlet Pressure Transducer Kit, 0-500 psi (3.45 MPa, 34.5bar)

EFR Outlet Material Hose (A and B Side)

Part	Description
17K152	15 FT - 2mm PTFE Core SST Braided Hose - 4800 PSI (33 MPa, 331 bar) WP
25E525	10 FT - 1/8 in PTFE Core SST Braided Hose - 3000 PSI (21 Mpa,207 bar) WP
16C506	10 FT - 3/16 in PTFE Core SST Braided Hose - 3500 PSI (24 Mpa, 241 bar) WP
16C515	10 FT - 1/4 in PTFE Core SST Braided Hose - 3000 PSI (21 Mpa, 207 bar) WP
16K817	10FT - 5/16 in PTFE Core SST Braided Hose - 3000 PSI (21 Mpa,207 bar) WP
17K284	10FT - 3/8 in PTFE Core SST Braided Hose - 3000 PSI (21 Mpa, 207 bar) WP
17K263	10FT - 1/2 in PTFE Core SST Braided Hose - 3000 PSI (21 Mpa, 207 bar) WP
17K266	10FT - 5/8 in PTFE Core SST Braided Hose - 3000 PSI (24 Mpa,241 bar) WP
17K273	10FT - 3/4 in PTFE Core SST Braided Hose - 3000 PSI (21 Mpa, 207 bar) WP

EFR Recirculation Hose (A and B Side)

NOTE: Only to be used with Voltex Dynamic Mix Valve. Do not use with MD2 dispense valve. Do not use with Rams.

Part	Description
17K152	15 FT - 2mm PTFE Core SST Braided Hose - 4800 PSI (33 MPa, 331 bar) WP
25E525	10 FT - 1/8 in PTFE Core SST Braided Hose - 3000 PSI (21 Mpa,207 bar) WP
16C506	10FT - 3/16 in PTFE Core SST Braided Hose - 3500 PSI (24 Mpa, 241 bar) WP
16C515	10FT - 1/4 in PTFE Core SST Braided Hose - 3000 PSI (21 Mpa, 207 bar) WP
16K817	10 FT - 5/16 in PTFE Core SST Braided Hose - 3000 PSI (21 Mpa,207 bar) WP
17K284	10FT - 3/8 in PTFE Core SST Braided Hose - 3000 PSI (21 Mpa, 207 bar) WP
17K263	10FT - 1/2 in PTFE Core SST Braided Hose - 3000 PSI (21 Mpa, 207 bar) WP
17K266	10FT - 5/8 in PTFE Core SST Braided Hose - 3000 PSI (24 Mpa,241 bar) WP
17K273	10FT - 3/4 in PTFE Core SST Braided Hose - 3000 PSI (21 Mpa, 207 bar) WP

Applicators

NOTE: Recirculation can only be with the Voltex Dynamic Mix Valve.

Part	Description
255179	1:1 MD2 Valve with Soft Seats (Do not use with recirculation)
255180	1:1 MD2 Valve Hard Seats (Do not use with recirculation)
255181	10:1 MD2 Valve with Soft Seats (Do not use with recirculation)
255182	10:1 MD2 Valve with Hard Seats (Do not use with recirculation)
25U256	Voltex with Table Top Controller (Do not use with recirculation)
25U257	Voltex with Wall Mount Controller (Do not use with recirculation)
25U258	Voltex with Table Top Controller and Recirculation
25U259	Voltex with Wall Mount Controller and Recirculation

255244	FOOT SWITCH ASSEMBLY WITH 4M CORD
121728	CAN Cable for remote placement of ADM (4.0M)
123660	6m Extension Cord for Electric MD2 Valve Handle

MD2 Dispense Valve Options

Part	Description
255208	MD2 Dispense Valve Electric Handle
255244	Foot Switch Assembly with 4M Cord
255249	MD2 Dispense Valve Lever

NOTE: The mixer and shroud must be ordered separately:

If an MD2 applicator is selected. See MD2 manual 312185 for mixer and shroud options.

If an Voltex applicator is selected. See manual 3A8115 for mixer and shroud options.

Other Options:

Part	Description
25B123	EFR Z-pump S4 Check Valve Kit
25B124	EFR Z-pump S4 Check Valve Rebuild Kit
25B127	EFR CGM DEVICENET KIT
26A700	EFR CGM ETHERNET IP KIT
26A701	EFR CGM PROFIBUS KIT
26A702	EFR CGM PROFINET KIT
26A703	EFR TRANSFORMER KIT
25N520	EFR HORIZONTAL DRIVER KIT
268020	EFR ADM BRACKET KIT

Voltex Dynamic Mix Valve Power Cord

NOTE: Used to power Voltex Dynamic Mix Valve Control Box.

Part	Description
121055	CORD SET,US, MX, PR, CA, TW,115V,10A
121054	CORD SET,US,250V,10A,10FT
121056	CORD SET,FR,GER,IS,NL,NO,TR,250V
121057	CORD SET,UK,IE,MY,SG,250V,10A
121058	CORD SET,ISRAEL,250V,10A
124864	CORD SET,ADPTRAUSTRALIA,8 FT
124861	CORD SET,ADPTR,ITALY,8 FT
124863	CORD SET,ADPTR,SWITZERLAND,8 FT
124862	CORD SET,ADPR,DENMARK,8 FT
121060	CORD SET,S AFRICA,INDIA,250V,16A

Voltex Dynamic Mix Valve Orifice Kits

Part	Description
25T675	Multiple Orifice Kit (all below 2x of all sizes)
25T700	2x Size 0.016" / 0.41mm
25T701	2x Size 0.020" / 0.51mm
25T702	2x Size 0.024" / 0.61mm
25T703	2x Size 0.028" / 0.71mm
25T704	2x Size 0.031" / 0.79mm
25T705	2x Size 0.035" / 0.89mm
25T706	2x Size 0.039" / 0.99mm
25T707	2x Size 0.042" / 1.07mm
25T708	2x Size 0.047" / 1.19mm
25T709	2x Size 0.052" / 1.32mm
25T710	2x Size 0.055" / 1.40mm
25T711	2x Size 0.060" / 1.52mm
25T712	2x Size 0.063" / 1.60mm
25T713	2x Size 0.067" / 1.70mm
25T714	2x Size 0.073" / 1.85mm
25T715	2x Size 0.086" / 2.18mm
25T716	2x Size Blank (No Orifice)

Voltex Dynamic Mix Valve Mixers

Part	Description
255024	8mm x 12 Element,10 Pack
255025	8mm x 12 Element,50 Pack
255026	10mm x 12 Element,10 Pack
255027	10mm x 12 Element,50 Pack
255028	13mm x 12 Element,10 Pack
255029	13mm x 12 Element,50 Pack

Voltex Dynamic Mix Valve Shrouds

Part	Description
4-419-904	For 8mm x 12 Element Mixer
4-419-903	For 10mm x 12 Element Mixer
4-419-902C	For 13mm x 12 Element Mixer

Voltex Dynamic Mix Valve Accessories

Part	Description
25T717	Kit, Air Nucleation {Single Side Only}
25T721	Kit, Material Gauges {2x per kit}
25U268	Kit, Pressure Transducer {2x per kit}
124409	Pressure Transducer 3m Extension Cable (1x per kit)
17H363	Pressure Transducer 7.5m Extension Cable {1x per kit}
17H364	Pressure Transducer 16m Extension Cable {1x per kit}
25T718	Extension Harness Kit, 3m Length {Control Box to Valve}
25T719	Extension Harness Kit, 6m Length {Control Box to Valve}
25T720	Extension Harness Kit, 15m Length (Control Box to Valve)
25U384	Kit, 2K Power Shutoff, 13mm (1000 psi max)
25U385	Kit, 2K Power Shutoff, 10mm (1000 psi max)
25U386	Kit, 2K Power Shutoff, 8mm (1000 psi max)
25U389	Kit, Harness, Shutoff, Tip, EFR
25U392	Kit, Mixer to Shutoff Adapter, 13mm, 10 Pack
25U393	Kit, Mixer to Shutoff Adapter, 10mm, 10 Pack
25U394	Kit, Mixer to Shutoff Adapter, 8mm, 10 Pack
25U350	Kit, Tip Valve, 50 Pack (1000 psi max)
25U351	Kit, Tip Valve, 100 Pack (1000 psi max)

Fitting Kits

Part	Description
EKA001	KIT, EFR, fitting conn, A1
EKA002	KIT, EFR, fitting conn, A2
EKA003	KIT, EFR, fitting conn, A3
EKA004	KIT, EFR, fitting conn, A4
EKA005	KIT, EFR, fitting conn, A5
EKA006	KIT, EFR, fitting conn, A6
EKA007	KIT, EFR, fitting conn, A7
EKA008	KIT, EFR, fitting conn, A8
EKC001	KIT, EFR, fitting conn, C1
EKE001	KIT, EFR, fitting conn, E1
EKE002	KIT, EFR, fitting conn, E2
EKE003	KIT, EFR, fitting conn, E3
EKE004	KIT, EFR, fitting conn, E4
EKE005	KIT, EFR, fitting conn, E5
EKE006	KIT, EFR, fitting conn, E6
EKE007	KIT, EFR, fitting conn, E7
EKE008	KIT, EFR, fitting conn, E8
EKE009	KIT, EFR, fitting conn, E9
EKE010	KIT, EFR, fitting conn, E10
EKE011	KIT, EFR, fitting conn, E11
EKE012	KIT, EFR, fitting conn, E12
EKF001	KIT, EFR, fitting conn, F1
EKH001	KIT, EFR, fitting conn, H1
EKH002	KIT, EFR, fitting conn, H2
EKH003	KIT, EFR, fitting conn, H3
EKH004	KIT, EFR, fitting conn, H4
EKH005	KIT, EFR, fitting conn, H5
EKH006	KIT, EFR, fitting conn, H6
EKH007	KIT, EFR, fitting conn, H7
EKH008	KIT, EFR, fitting conn, H8
EKH009	KIT, EFR, fitting conn, H9
EKH010	KIT, EFR, fitting conn, H10
EKH011	KIT, EFR, fitting conn, H11
EKH012	KIT, EFR, fitting conn, H12

Part	Description
EKH013	KIT, EFR, fitting conn, H13
EKH014	KIT, EFR, fitting conn, H14
EKJ001	KIT, EFR, fitting conn, J1
EKJ002	KIT, EFR, fitting conn, J2
EKJ003	KIT, EFR, fitting conn, J3
EKJ004	KIT, EFR, fitting conn, J4
EKJ005	KIT, EFR, fitting conn, J5
EKJ006	KIT, EFR, fitting conn, J6
EKJ007	KIT, EFR, fitting conn, J7
EKJ008	KIT, EFR, fitting conn, J8
EKJ009	KIT, EFR, fitting conn, J9
EKJ010	KIT, EFR, fitting conn, J10
EKJ011	KIT, EFR, fitting conn, J11
EKJ012	KIT, EFR, fitting conn, J12
EKJ013	KIT, EFR, fitting conn, J13
EKJ014	KIT, EFR, fitting conn, J14
EKK001	KIT, EFR, fitting conn, K1
EKK002	KIT, EFR, fitting conn, K2
EKK003	KIT, EFR, fitting conn, K3
EKK004	KIT, EFR, fitting conn, K4
EKK005	KIT, EFR, fitting conn, K5
EKK006	KIT, EFR, fitting conn, K6
EKK007	KIT, EFR, fitting conn, K7
EKK008	KIT, EFR, fitting conn, K8
EKK009	KIT, EFR, fitting conn, K9
EKK010	KIT, EFR, fitting conn, K10
EKK011	KIT, EFR, fitting conn, K11
EKK012	KIT, EFR, fitting conn, K12
EKK013	KIT, EFR, fitting conn, K13
EKK014	KIT, EFR, fitting conn, K14
EKL001	KIT, EFR, fitting conn, L1
EKL002	KIT, EFR, fitting conn, L2
EKL003	KIT, EFR, fitting conn, L3
EKL004	KIT, EFR, fitting conn, L4

Part	Description
EKL005	KIT, EFR, fitting conn, L5
EKL006	KIT, EFR, fitting conn, L6
EKL007	KIT, EFR, fitting conn, L7
EKL008	KIT, EFR, fitting conn, L8
EKL009	KIT, EFR, fitting conn, L9
EKL010	KIT, EFR, fitting conn, L10
EKL011	KIT, EFR, fitting conn, L11
EKL012	KIT, EFR, fitting conn, L12
EKL013	KIT, EFR, fitting conn, L13
EKL014	KIT, EFR, fitting conn, L14
EKM001	KIT, EFR, fitting conn, M1
EKM002	KIT, EFR, fitting conn, M2
EKM003	KIT, EFR, fitting conn, M3
EKM004	KIT, EFR, fitting conn, M4
EKM005	KIT, EFR, fitting conn, M5
EKM006	KIT, EFR, fitting conn, M6
EKM007	KIT, EFR, fitting conn, M7
EKM008	KIT, EFR, fitting conn, M8
EKM009	KIT, EFR, fitting conn, M9
EKM010	KIT, EFR, fitting conn, M10
EKM011	KIT, EFR, fitting conn, M11
EKM012	KIT, EFR, fitting conn, M12
EKM013	KIT, EFR, fitting conn, M13
EKM014	KIT, EFR, fitting conn, M14
EKN001	KIT, EFR, fitting conn, N1
EKN002	KIT, EFR, fitting conn, N2
EKN003	KIT, EFR, fitting conn, N3
EKN004	KIT, EFR, fitting conn, N4
EKN005	KIT, EFR, fitting conn, N5
EKN006	KIT, EFR, fitting conn, N6
EKN007	KIT, EFR, fitting conn, N7
EKN008	KIT, EFR, fitting conn, N8
EKN009	KIT, EFR, fitting conn, N9
EKN010	KIT, EFR, fitting conn, N10
EKN011	KIT, EFR, fitting conn, N11


Part	Description
EKN012	KIT, EFR, fitting conn, N12
EKN013	KIT, EFR, fitting conn, N13
EKN014	KIT, EFR, fitting conn, N14

Advanced Display Module (ADM) Operation

When main power is turned on by turning the power disconnect switch (C) to the ON position, the splash screen will be displayed until communication and initialization is complete.



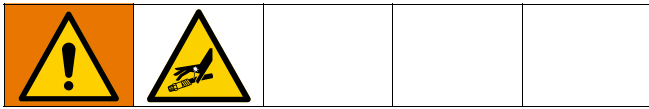
To begin using the ADM, the machine must be on and enabled. To verify the machine is enabled, verify the System Status Indicator Light (AB) is illuminated green, see FIG. 4 on page 12. If the System Status Indicator Light is not green, press the ADM Power On/Off (AA)

button . The System Status Indicator Light will illuminate yellow if the machine is disabled.

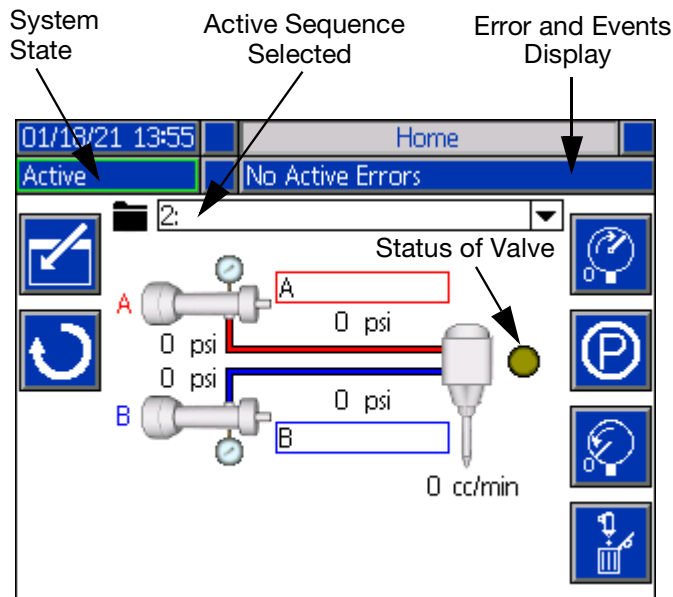
Perform the following tasks to fully setup your system.

1. Set general system settings. See **Advanced Screen 1**, page 64.
2. Set units of measure. See **Setup Screen 1**, page 60.
3. Enable/disable system features. See **Setup Screen 2**, page 61.
4. Define pump information. See **Setup Screen 1**, page 60.
5. Define shots. See **Sequence Definition Screen 1**, page 58.
6. Define sequences. See **Sequence Definition Screen 3**, page 60.
7. If desired, view/reset counters. See **Maintenance Screen 1**, page 65.
8. Enable/disable integration features. See **Integration Screen 1**, page 67.

ADM Screen Overview




Home Screen

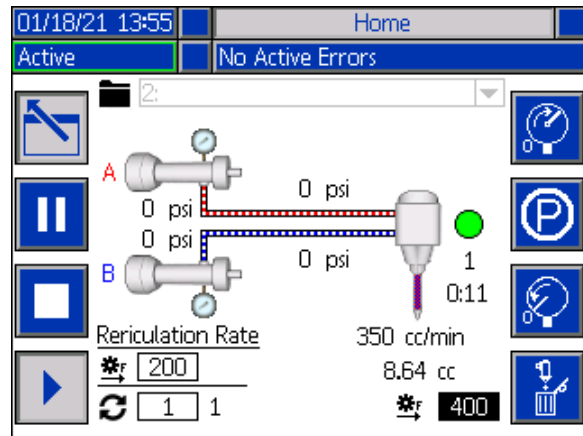


The home screen is the first screen displayed when the ADM is turned on. Here you can monitor the actual flow rate and current fluid pressure on the A and B fluid outlets of the pump.


This screen also displays any active errors or events as well as the active sequence selected.

Pressing the  icon will enter the home screen and allow you to select the active sequence, the number of times a sequence is repeated, the recirculation rate, and the purge flow.

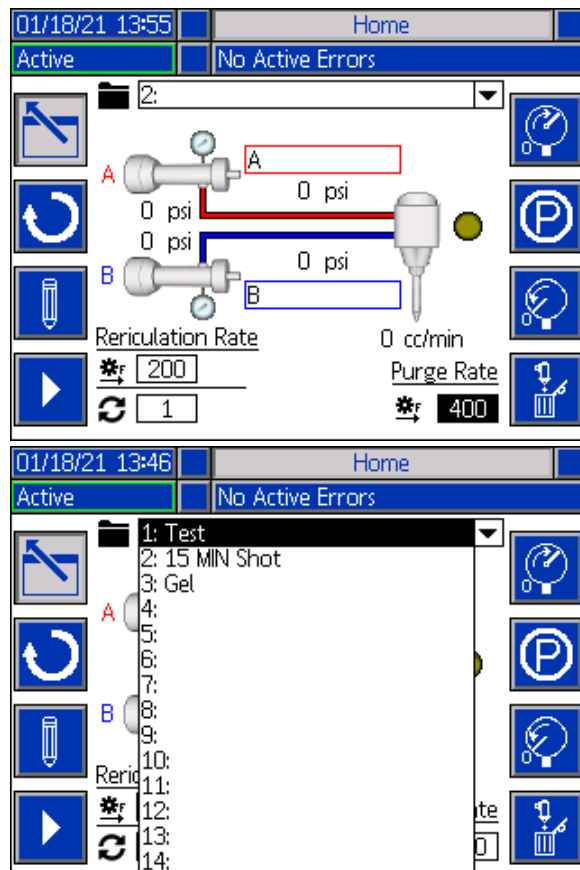
You can also pause, stop, or start an active sequence once the home screen is entered.



To select a sequence, use the navigation keys to highlight the active sequence bar. Then press the Enter button


 to open a drop down menu where the desired sequence can be selected.

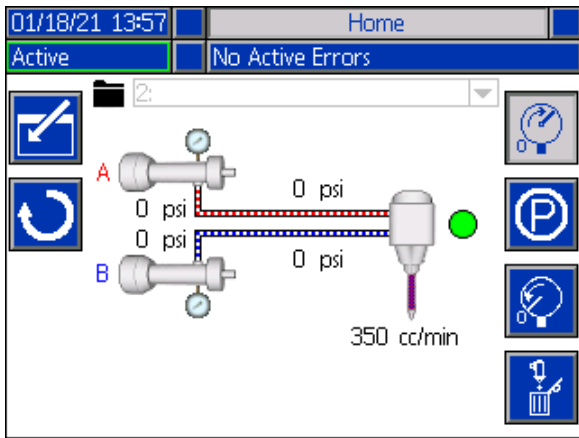
Sequences can also be selected remotely. See **I/O Integration** on page 70.




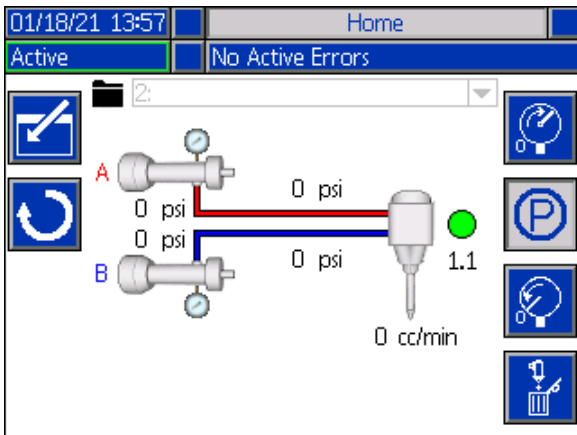
Along the right side of the home screen, there are icons that will allow the user to prime, park, de-pressurize, and purge the unit.


NOTE: The system must be active to access these icons. The only icon that can be selected when the system is inactive is the de-pressurize icon.

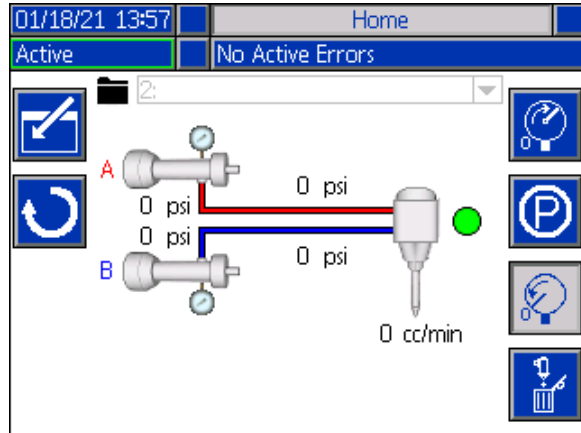
Prime: When pressed, the prime icon  will prime the unit. The sequence that will run when the prime icon is pressed depends on the pressure preset set by the user. See **Setup Screen 2** on page 61 for information on setting the Pressure Preset.





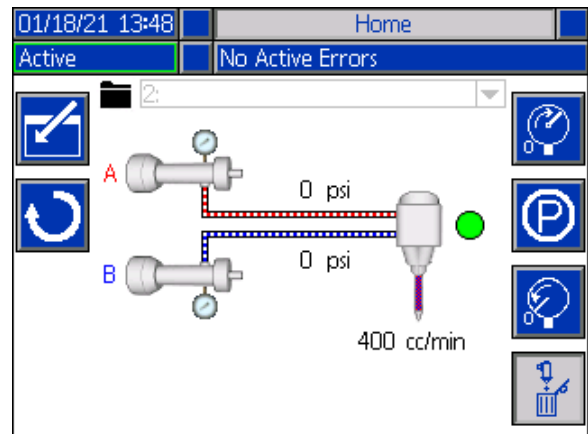
Park: When pressed, the park icon  will park the pumps.



De-Pressurize: When pressed, the de-pressurize icon  will open the dispense valve, which will relieve pressure in the pump lines.



Purge: When pressed, the purge icon  will purge material from the pumps. To stop purging material from the pumps, press the purge icon  again.



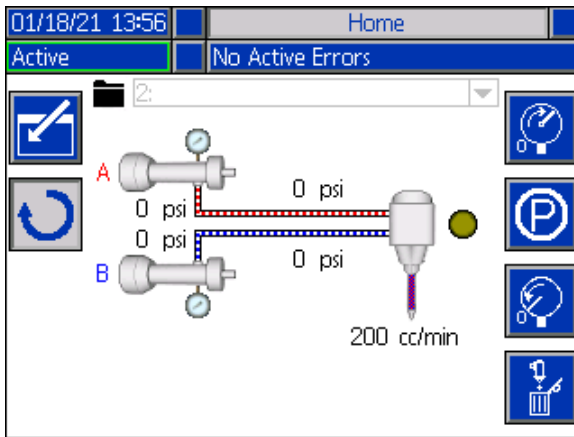
Recirculation: When pressed, the recirculation icon



will recirculate material through the pumps. To stop recirculating material from the pumps, press the



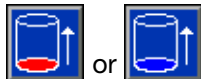
recirculation icon again.





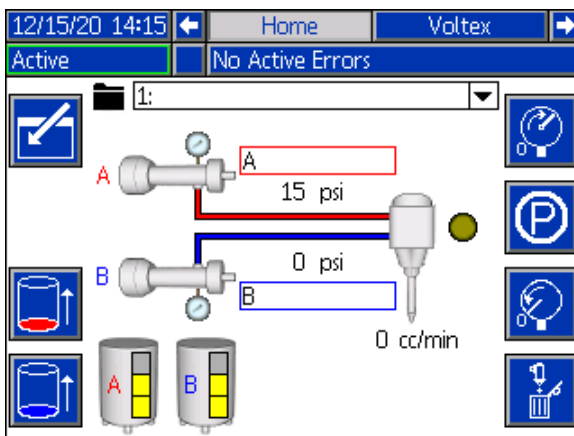
Tank Stand Status Information

NOTE: The tank stand status information and icons will only be shown when the tank stand is connected to the EFR network.

Tanks Status Fill Levels: These icons display the fill level of the each of the tanks.



Tank Refill: Press  or  to initiate a tank refill. If a tank is filling, pressing either button will abort the filling operation.



Voltex Dynamic Mix Valve Run Screen

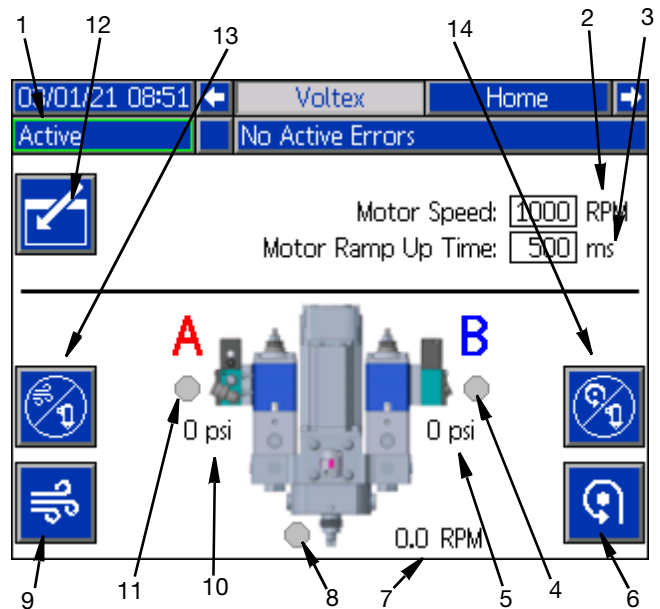
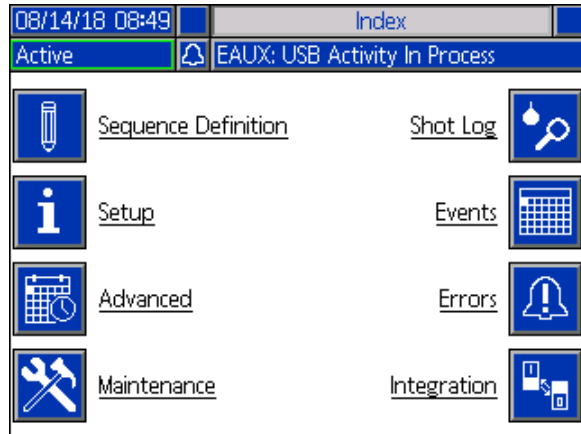


FIG. 14

NOTE: This screen will only be displayed if the Voltex Dynamic Mix Valve is connected to the EFR Network.

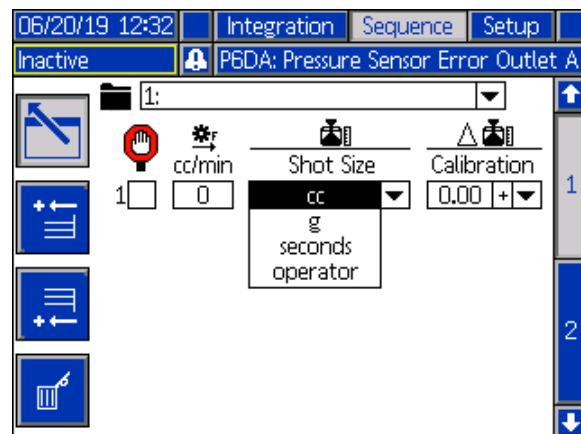
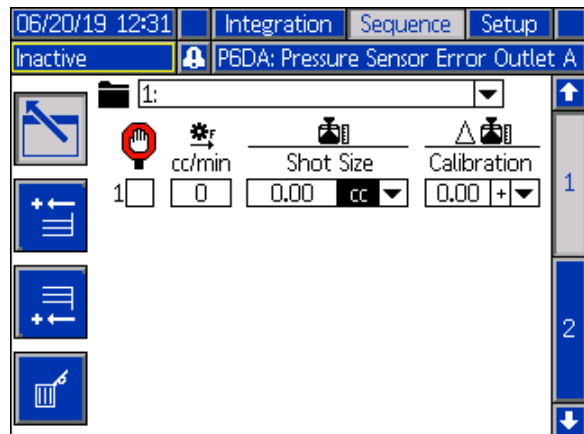
- System State:** Green frame with Active indicated means the system is ready to run. Amber frame with System Off indicated means system is off.
- Motor RPM Setpoint:** The RPM's that the motor will run at. The Motor RPM Setpoint can be locked requiring a password.
- Motor Ramp Up Time:** This changes the amount of time in milliseconds the motor takes to get to the RPM setpoint. **NOTE:** 100ms is the fastest acceleration and 9000ms is the slowest acceleration. The goal is to try and prevent breaking mixers with a slower acceleration. Example: 500ms = half a second to get to the RPM setpoint of 4400 RPM.
- (B) Valve Status:** Icon turns green when the dispensing system turns on the valve signal. Icon turns gray when dispensing system is off.
- (B) Valve Pressure:** If a pressure transducer kit is installed, the text will appear on the screen and display the pressure. There is no error for the transducer being unplugged.

6. **Manual Motor:** This button allows the motor to be turned on by the ADM at the RPM setpoint.
7. **Motor Actual RPM:** Shows what speed the motor is at during the ramp period. It is not direct feedback from the motor.
8. **Air nucleation valve indicator:** Icon turns green if air nucleation is enabled and the valve is open. Icon turns gray when it is off.
9. **Air Purge button:** Will open the air nucleation valve indefinitely to blow out the material in the mixer.
10. **(A) Valve Pressure:** If a pressure transducer kit is installed, the text will appear on the screen and display the pressure. There is no error for the transducer being unplugged.
11. **(A) Valve Status:** Turns on when the dispensing system turns on the valve signal.
12. **Edit Mode:** Select to enter or exit the editing mode for the screen. Icon is gray when in edit mode and blue when off.
13. **Air Nucleation Disable for Dispensing:** Press this button to stop the air nucleation from running while dispensing. The icon turns grey to signal that the air nucleation has been disabled for dispensing. To re-enable the air nucleation for dispensing, press the button again. Every time a dispense occurs with the air nucleation disabled, an ECAA error will be placed into the events. See **Troubleshooting** on page 33 for more information on this error code.
14. **Motor Spinning Disable for Dispensing:** Press this button to stop the motor from spinning while dispensing. The icon turns grey to signal that the motor has been disabled for dispensing. To re-enable the motor for dispensing, press the button again. Every time a dispense occurs with the motor disabled, an ECMA error will be placed into the events. See **Troubleshooting** on page 33 for more information on this error code.




Sequence Definition Screen 1

This screen allows users to create and edit sequences. From here, users are able to edit the flow rate, shot size and calibration of individual shot sizes in a selected sequence. There are four options available for the shot size, including operator mode, volume, mass/weight and seconds.



Index Menu

From the home screen, press the  button to access the index. This screen provides access to Sequence Definition, Setup, Advanced, Maintenance, Shot Log, Events, Errors, and Integration screens.

NOTE: If the user selects seconds for the shot size, calibration will no longer be an option for the selected shot size.

NOTE: If the user selects operator mode for the shot size, the EFR will only dispense at the desired flow rate as long as an external trigger source or foot switch is active for that particular shot of the sequence.

NOTE: If the flow rate is set to zero, the EFR will wait for the specified amount of time before performing the next shot size.

New shot sizes can be added to a sequence by pressing



ing , which will add a new shot size before the

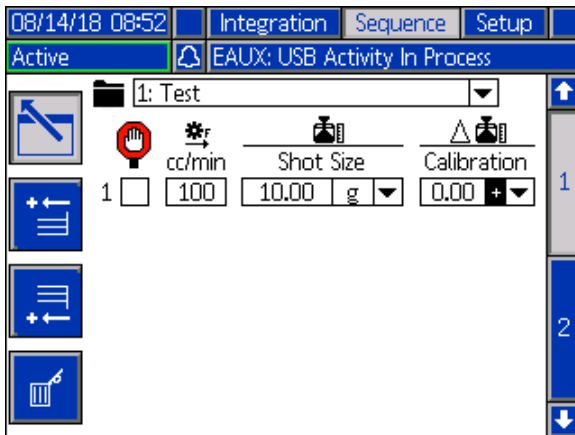
shot size currently highlighted, or by pressing



, which will add a new shot size after the shot size currently highlighted. To delete a selected shot size, press

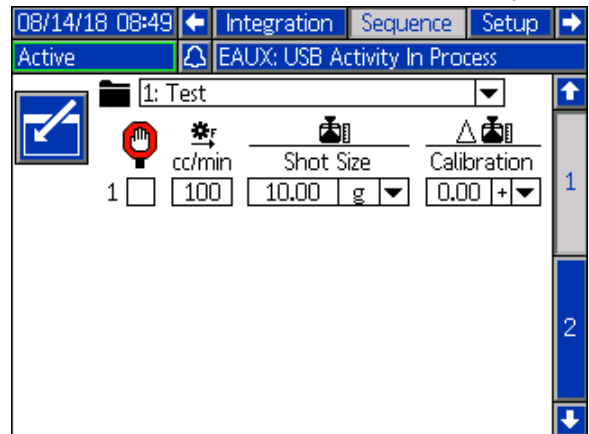


the icon.



If the box next to a shot size is selected, the user must activate the shot size from an external trigger source, such as a foot switch. Until the trigger signal is received, the EFR will wait before playing the shot size shown beside the selected check box. Once the external trigger is received, the EFR will proceed through the sequence.

If the user enters the home screen while a sequence



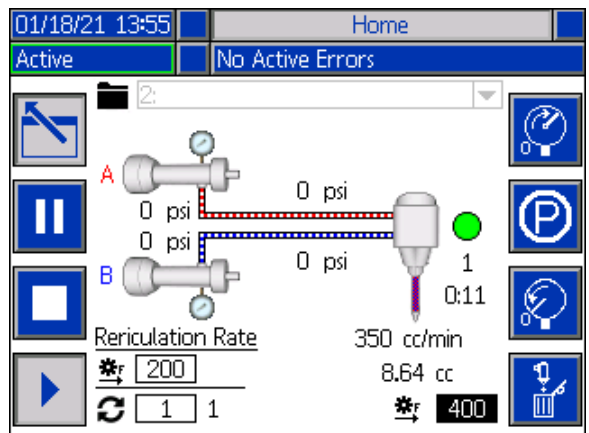
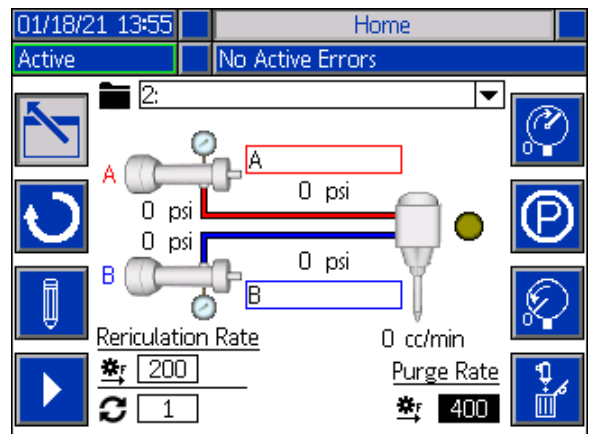
including a checked shot size is selected as the active

sequence, the user must push the



icon at the bottom of the screen or supply an external trigger signal (e.g. a foot switch or other manual switch) to begin dispensing the sequence. After the sequence is started,

the stop and pause icons will appear.



NOTE: If the active sequence does not contain a checked shot size, the unit will start dispensing when



the icon or an external trigger signal is supplied. The sequence will continue to dispense until finished.

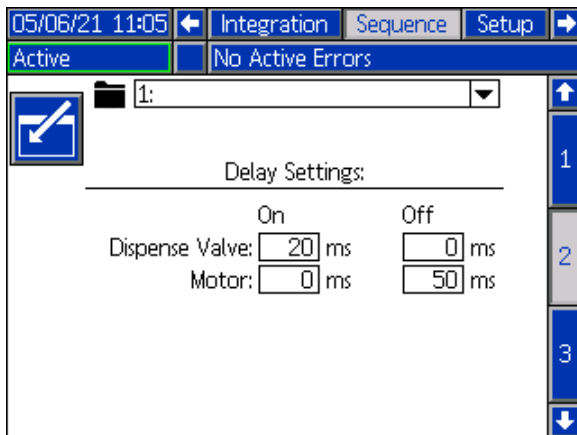
Sequence Delays Screen 2

This screen allows the user to define delay settings for a sequence.

NOTE: On/Off delay for both the dispense valve and motor is not allowed.

NOTE: If multiple steps are defined in a sequence, the delays will be the same only if the step is triggered from an external source.

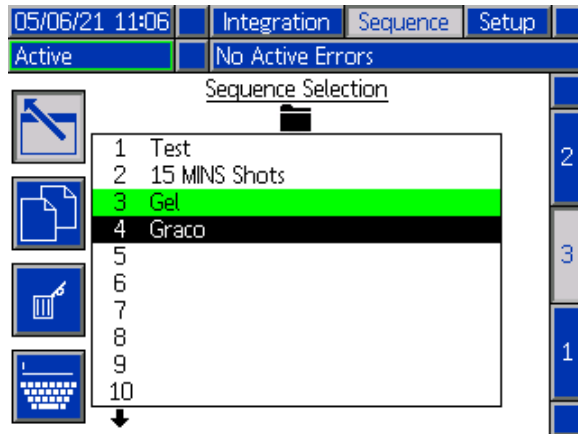
NOTE: If the Voltex Dynamic Mix Valve is connected, the sequence delays are disabled and the screen is hidden.



Sequence Definition Screen 3

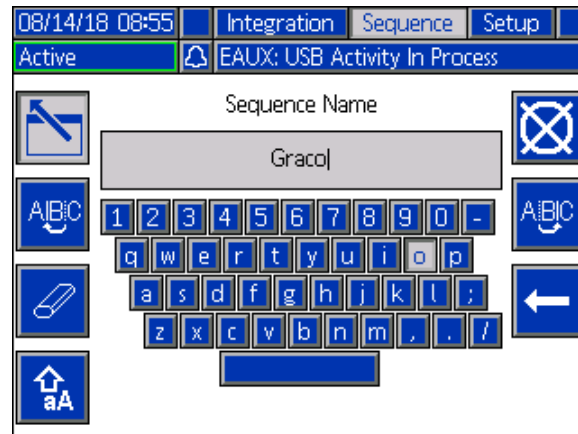
This screen allows the user to copy, delete, and name selected sequences. Use the arrow keys to select a sequence from the list. The sequence selected will be highlighted in green, as shown below.

NOTE: The sequence selected in this screen will also be shown in the Sequence Definition Screen 1, where it can be edited. See **Sequence Definition Screen 1** on page 58.



To name a sequence, press the icon when the desired sequence is selected. A new screen, shown below, will appear and allow the user to edit the name of the selected sequence. Use the arrow keys to select

the desired letter and press to accept the letter.



Setup Screen 1

This screen allows the user to change the dispense mode, rate units, pressure units, pressure imbalance alarm, and the pump line, size and specific gravity of the A and B pumps.

Dispense Mode: The dispense mode can be set to either volume or weight. If the dispense mode is set to weight, the flow rate will be displayed in g/min, and if it is set to volume, the flow rate will be displayed in cc/min.

Rate Units: The rate units can be set to minute, second, or hour.

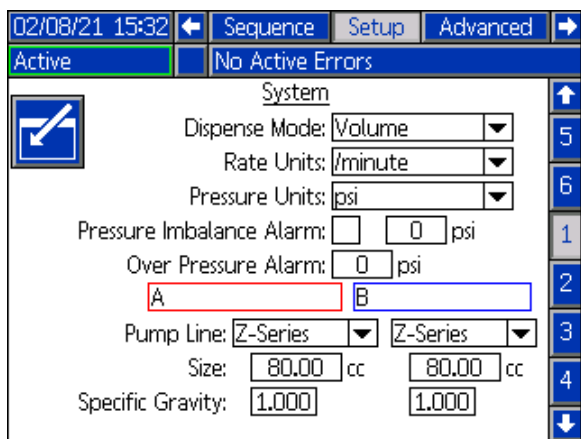
Pressure Units: The pressure units can be set to either psi or bar.

Pressure Imbalance Alarm: When checked, the pressure imbalance alarm will watch the pressure for both A and B pumps. If the pressure difference between pumps is greater than the pressure defined in the alarm box, an alarm will be triggered.

Pump Line: The pump line can currently only be set to Z-Series.

Size: The user can enter the size of the A and B pumps on the unit here.

Specific Gravity: The user can enter the specific gravity of the material being used here.



Setup Screen 2

This screen allows the user to set a Gel Timer and Pressure Preset.

Gel Timer: When enabled, the gel timer prevents material from curing in the mixer. The user can select a sequence to run, as well as the amount of idle time the machine can wait between dispenses. If the system does not dispense again before the set time runs out, the gel timer will dispense the preset sequence.

Purge Location(s) Enabled: Check this box to require the system to be in a purge location prior to the Gel Shot/Purge being triggered. See page 74 for to setup the **Gel Timer Purge Locations I/O**.

Enable: Check this box to enable the gel timer.

Idle Period: This is the amount of time the unit will remain idle before beginning to dispense.

Alarm: This is the amount of time the EFR will wait after the idle period has been reached. This allows time for the robot to move into the purge location.

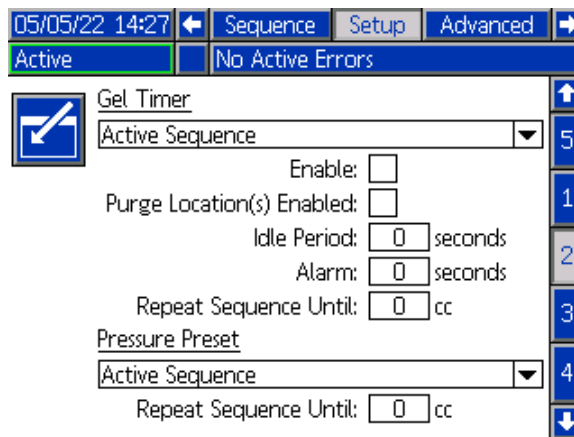
Repeat Until: The selected sequence will be repeated until the specified amount of material has been purged.

Pressure Preset: The pressure preset allows the user to select the sequence that will run when the prime icon



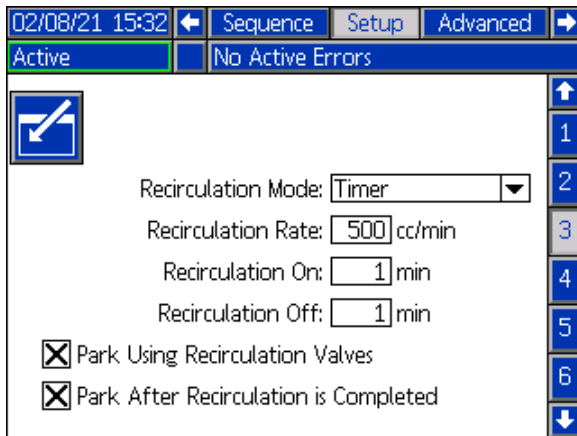
is pressed on the home screen. The user can either select the Active Sequence, which is shown on the home screen, or one of the other sequences listed in the drop down menu for the pressure preset. Running the pressure preset allows the EFR to learn the running pressure and prime the system.

Repeat Until: The selected sequence will be repeated until the specified amount of material is reached during priming.



Setup Screen 3


This screen allows the user to define the recirculation mode that the EFR will operate in.





Recirculation Mode: There are three options available for Recirculation Mode (Timer, Manual, Disable).

- **Timer:** The EFR will recirculate for a specified amount of time after a previously set amount of time has expired.

NOTE: To start the timer feature in Recirculation Mode,

the recirculation icon  must be pressed on the home screen. After the icon is pressed, the EFR will begin recirculating the pumps and count down the Recirculation On timer. Once the timer has expired, the EFR will count down the Recirculation Off timer before repeating the process. See page 62 for more information on the Recirculation On and Off timers.

NOTE: When a dispense is requested, or another feature is enabled, the recirculation timer will be stopped.

- **Manual:** The EFR will begin recirculating when the recirculation icon  is pressed on the run screen. The EFR will continue recirculating until the recirculation icon  is pressed again.
- **Disable:** The EFR will disable all recirculation features.

Recirculation Rate: This is the rate at which the system will recirculate material. When the Recirculation Mode is set to Disable, this option will be grayed out.

Recirculation On: This is the amount of time the system will continue to recirculate if the Recirculation Mode is set to Timer.

Recirculation Off: This is the amount of time the system will wait before starting the Recirculation On timer when the Recirculation Mode is set to Timer.

Park Using Recirculation Valves: If checked, the park feature will park the pumps using the recirculation valves instead of the dispense valves.

Park After Recirculation is Completed: If checked, along with Park Using Recirculation Valves, the system will automatically start parking the system after recirculation is completed. This can be canceled at any time while parking the pumps.

NOTE: The Recirculation On and Recirculation Off time can only be set if the Recirculation Mode is set to Timer. Otherwise, Recirculation On and Recirculation Off will be grayed out.

NOTE: If Disable is selected for the Recirculation Mode, all other options on the screen will be grayed out.

Setup Screen 4

This screen allows the user to monitor inlet and outlet pressures of the EFR during a dispense. The user can specify a minimum and maximum allowable value for A and B for both inlet and outlet pressures. The user can also specify the level of alerts for each individual pressure limit. The alert options include Disabled, Deviation, and Alarm.

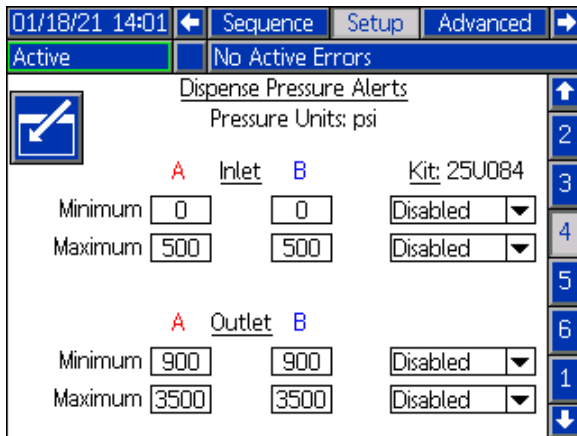
Disabled: No pressure monitoring will occur.

Deviation: The user will be notified if the pressure goes below the minimum or above the maximum, but further dispensing will be allowed to occur.

Alarm: If the pressure goes below the minimum or above the maximum, the current dispense will stop and further dispensing will not be allowed until the alarm is acknowledged.

NOTE: Inlet pressure monitoring is only available on systems with the Pressure Transducer Kit (25B128 or 25U084) installed. Setup screen 3 will only display outlet monitoring if the kit is not installed.

NOTE: Check the kit number displayed on the screen to visually confirm what inlet pressure kit is installed with the EFR.



Setup Screen 5

NOTE: This screen will only be displayed if the Voltex Dynamic Mix Valve is connected to the EFR network.

NOTE: To choose any of the following menu selections, use the navigation buttons (BH) then press the enter key (BF) to activate that selection. Reference **Advanced Display Module (ADM)** on page 12 for screen ADM menu.

Edit Mode: Select to enter or exit the editing mode for the screen. Icon is gray when in edit mode and blue when off.

Air Nucleation: This will enable the air nucleation solenoid valve. This cycles while dispensing to dose air into the mixed material.

Delay Time: Amount of time before the air nucleation valve toggles between the on time and off time.

On Time: Amount of time the air nucleation valve stays on before toggling off.

Off Time: Amount of time the air nucleation valve stays off before toggling back on.

Motor Speed: The RPM's that the motor will run at. The Motor RPM Setpoint can be locked out using a password.

Motor Ramp Up Time: This changes the amount of time in milliseconds the motor takes to get to the RPM setpoint.


EFR Dispense Wait: This will cause the EFR to wait until the Voltex Dynamic Mix Valve motor is up to speed before dispensing.


NOTE: 100ms is the fastest acceleration and 9000ms is the slowest acceleration. The goal is to try and prevent breaking mixers with a slower acceleration. Example: 500ms = half a second to get to the RPM setpoint of 4400RPM.


Pressure Calibration:

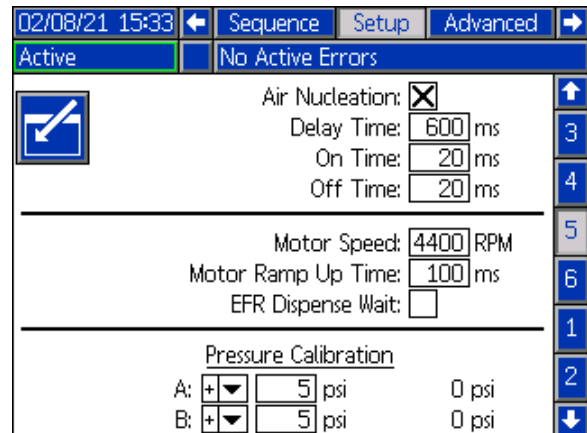
NOTE: The pump transducer offset and the valve transducer offset are shown in the Calibrate section.

- a. Relieve pressure in the system using valve depressurization. See **Pressure Relief Procedure** on page 27.

- b. Press the edit mode key .

- c. Press the  soft key to automatically reset the offsets to zero. You can also manually change the values and select minus or plus from the drop down menus as appropriate for the calibration.

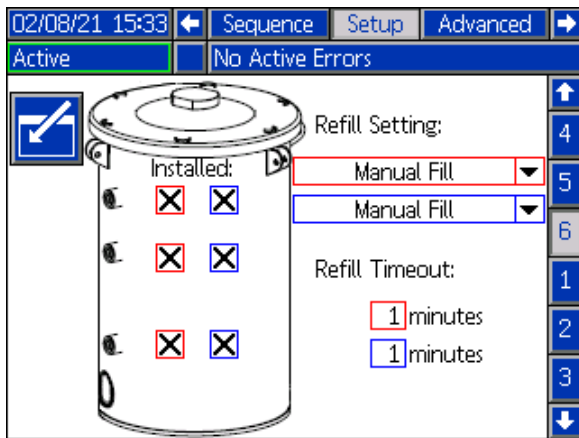
- d. Press the  soft key to save your changes and exit editing mode.



Setup Screen 6

NOTE: This screen will only be displayed if a tank stand is connected to the EFR network.

This screen allows the user to specify the operating parameters for off-board, integrated tanks and indicate which positions have level sensors installed. See the the appropriate Tank Stand manual for information about installing level sensors. See **Related Manuals** on page 3. The user may select from the following refill settings: Disabled, Monitor, Manual, Auto Top-Off.



The following describes the system operation when each tank mode is selected.

Disabled:

- Disable tank operation.

Monitor:

- The top sensor generates a high level deviation and the bottom sensor generates a low level deviation.
- Refill is not supported, and no button is provided on the run screens to initiate refill.
- Errors will clear when the corresponding condition clears.

Manual:

- The low level sensor will generate a low level deviation.
- An icon is shown on the Run screens to initiate a manual refill operation at any time.
- Manual refill will continue until either the high level sensor sees material, the user aborts the refill via the refill button on the run screens, or the refill time-out expires.
- The low level alarm will clear when the condition clears.

Auto Top-Off:

- The low level sensor will generate a low level deviation.
- When the high level sensor does not see material, automatic refill will begin and continue until either the high level sensor sees material or until the refill time-out expires.
- The low level deviation will clear when the condition clears.
- An icon is shown on the Run screens to initiate an automatic refill operation at any time.

- This icon can also be used to abort a refill operation.

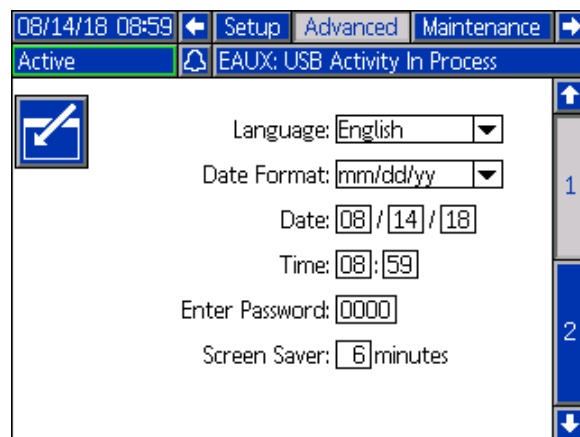
Refill Setting: If a refill setting other than Disabled is selected, the user must set at least two level sensor locations as installed by checking the check box on the screen. If all three locations are set to installed, the system will default to the Auto-Top Off refill setting and operate as follows:

- The low level sensor will generate a low level deviation.
- The high level sensor will generate a high level deviation and abort any automatic refill operation.
- When the middle sensor is not satisfied, automatic refill will begin and will run until either the middle sensor is satisfied, the high level sensor generates a deviation (if the middle sensor fails), or the refill time-out expires.
- The low level deviation and the high level deviation will clear when the condition clears.
- An icon is shown on the Run screens to initiate an automatic refill operation at any time. This icon can also be used to abort a refill operation.


Refill Timeout: The refill timeout setting may be set by the user as a means to abort the refill in the case of a high level sensor failure. When an automatic refill begins, the time-out counter will begin to count down. If the timer expires before the high level sensor is satisfied, the refill will abort.

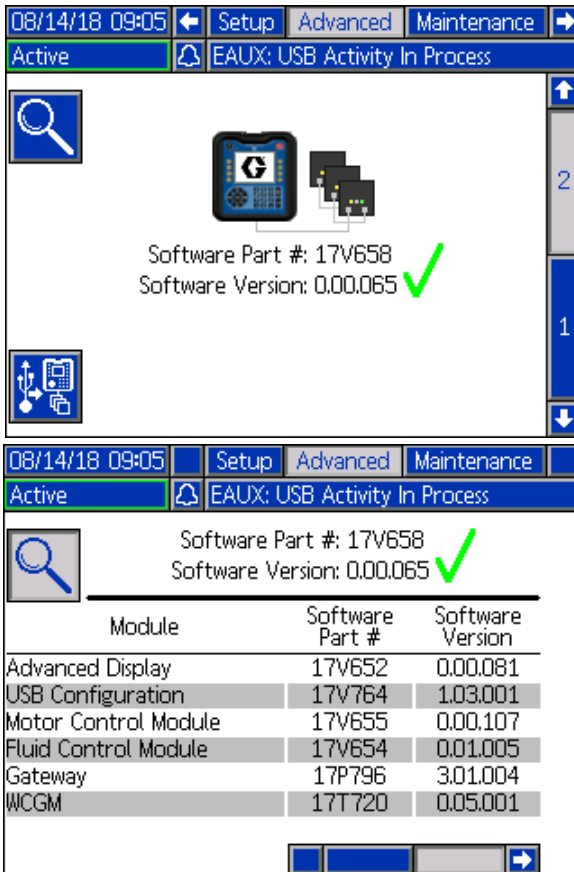
Advanced Screen 1

This screen allows the user to change the language, date, and time shown on the ADM. The user can also set up a password and change the screen saver here.



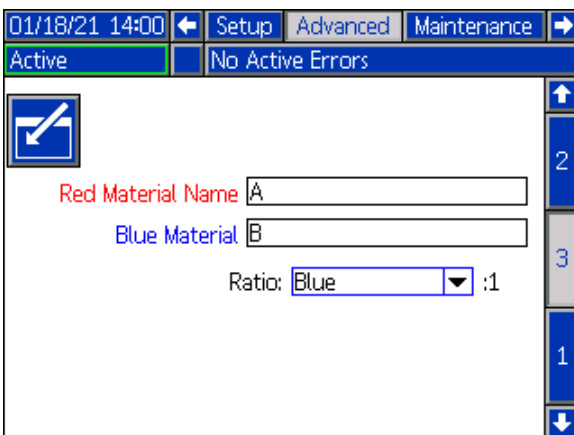
Advanced Screen 2

This screen allows the user to view and upgrade software installed on the system. Clicking the  icon will open a new screen that shows what software is currently installed.



Advanced Screen 3


This screen allows the user to change the material names and ratio.




Maintenance Screen 1

This screen keeps track of the cycles of the A and B pump, both current and lifetime, as well as the number of times the dispense valve has opened and closed. The user can also jog the pumps from the maintenance screen.


The user can clear the current cycles for the pumps or the dispense valve by highlighting the desired pump (A

or B) or dispense valve and pressing the  icon.

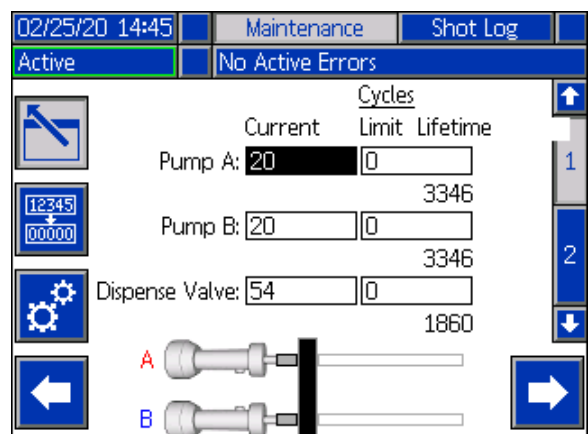
The user can press the arrows at the bottom of the

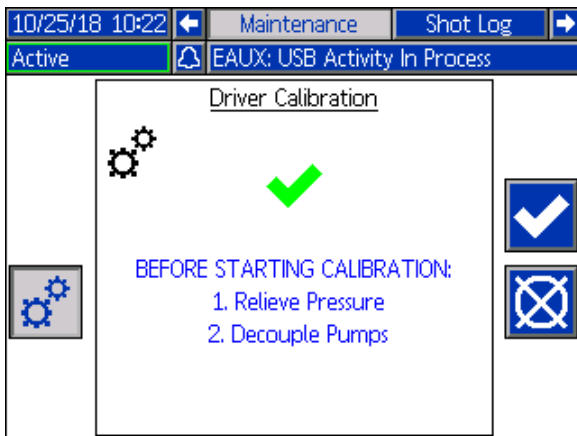
screen to jog the pumps forward  or backward



The  icon is used for the calibration of a new motor control board in the electric driver, and should only be pressed when the motor board is replaced or when error W5NX is active.

This screen also allows the user to generate an excessive Pump or Dispense Valve cycles advisory, if the corresponding Pump or Valve cycles exceeds the number entered in the second column limit field. If a non-zero number is entered in that field, and the corresponding pump or valve cycles exceeds that value, the EFR will generate and log an advisory informing the user of the condition. To remove the advisory, either enter 0 in the Current counter, raise the Limit value, or enter zero for the limit value.





Maintenance Screen 2

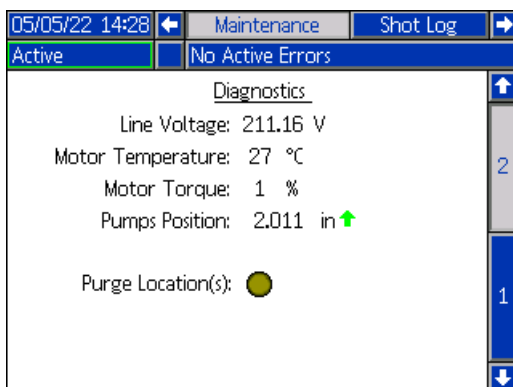
This screen allows users to see the line voltage of the incoming AC power, the motor temperature, the percentage of torque on the motor, and the position of the pumps.

The arrow located to the right of the pumps position indicates the direction the pumps are moving. When the arrow is green, the pumps are moving, and when the arrow is red, the system is going through a change-over.

A green arrow pointing up means the pump is moving towards the driver housing, and a green arrow pointing down means the pump is moving towards the pumps.

A red arrow pointing up signifies a top changeover, and a red arrow pointing down signifies a bottom change-over.

If Purge Location(s) Enabled on Setup Screen 2 is checked, the Purge Location(s) status will show up on the screen. Green status signifies that the system is in one of the three purge locations.



Shot Log

This screen shows users a list of all completed shots. Each shot entry includes a date and time stamp, the sequence selected, the amount dispensed, and that start pressures of the A and B pumps.

Date	Time	#		A	B	
05/11/18	13:04	8	19.19 cc	2323	2588	psi
05/11/18	13:01	8	19.19 cc	2353	2592	psi
05/11/18	12:59	8	19.19 cc	2302	2580	psi
05/11/18	12:57	8	19.19 cc	2334	2595	psi
05/11/18	12:55	8	19.19 cc	2366	2601	psi
05/11/18	12:53	8	19.19 cc	2327	2587	psi
05/11/18	12:51	8	19.19 cc	2336	2595	psi
05/11/18	12:48	8	19.19 cc	2362	2595	psi
05/11/18	12:46	8	19.19 cc	2351	2599	psi
05/11/18	12:44	8	19.19 cc	2339	2599	psi

Events Screens

This screen shows users a list of events that have occurred in the system. Each event includes a description and event code along with a date and time stamp. There are 20 pages, each holding 10 events. The 200 most recent events are shown.

Date	Time	Code	Description
08/09/18	11:40	EQU3	Custom Lang. Downloaded
08/09/18	11:40	EQU1	Sys. Settings Downloaded
08/09/18	11:40	EQU5	Logs Downloaded
08/09/18	11:38	ELOX	System Power On
08/09/18	11:37	EMOX	System Power Off
08/09/18	11:35	ELOX	System Power On
08/09/18	11:35	EMOX	System Power Off

Errors Screens

This screen shows users a list of errors that have occurred in the system. Each error entry includes a description and error code along with a date and time stamp. There are 5 pages, each holding 10 errors. The 50 most recent errors are shown.

Date	Time	Code	Description
08/14/18	09:09	EAUX	USB Activity In Process
08/14/18	09:08	EAUX	USB Activity In Process
08/14/18	09:02	CACA	Comm. Error Advanced Display
08/14/18	08:44	EAUX	USB Activity In Process
08/14/18	08:24	EAUX	USB Activity In Process
08/14/18	07:43	P4DA	High Pressure Outlet A
08/14/18	07:40	P4DA	High Pressure Outlet A
08/14/18	07:34	P4DA	High Pressure Outlet A
08/14/18	07:33	P4DA	High Pressure Outlet A
08/13/18	11:56	CACA	Comm. Error Advanced Display
08/13/18	11:41	CACA	Comm. Error Advanced Display

Integration Screen 1

This screen allows the user to see when the unit is receiving inputs from a PLC, as well as when the unit is sending outputs to a PLC. Integration inputs must be enabled by checking the box for the EFR to use the signal. If the check box is not checked, the EFR will ignore the signal.

For explanations of each integration pin, see **I/O Integration** on page 70.

Integration Inputs	Integration Outputs
Trigger (4-1): <input checked="" type="checkbox"/> ●	Dispense Valve (3-4): ●
Pressure Preset (4-2): <input type="checkbox"/> ●	System Ready (4-7): ●
GND (4-3), 5V (4-4): ■	Alarm (4-8): ●
System Enable (4-5): <input type="checkbox"/> ●	
Analog Flow Rate (4-6): <input checked="" type="checkbox"/> 5.020 V ■	
Sequence Select (ADM): <input type="checkbox"/> 0000 ■	

Integration Screens 2 and 3

This screen will appear when a CGM is connected.

This screen displays the setup screen for a connected CGM. See the Communications Gateway Module

Installation Kit Instructions-Parts manual for more information.

08/14/18 09:10		Errors	Integration	Sequence
Active	EAUX: USB Activity In Process	EtherNet/IP		
IP Address: 192.168.001.055				
DHCP: No				
Subnet Mask: 250.250.250.000				
Gateway: 192.168.001.001				
DNS 1: 000.000.000.000				
DNS 2: 000.000.000.000				

08/14/18 09:11		Errors	Integration	Sequence
Active	EAUX: USB Activity In Process	EtherNet/IP		
Hardware Revision: 0000				
System Serial #: 00000000				
Map ID: 00000				
Map Name: 17V657				
Map Revision: 001.013				
Map Date: 07/30/18				

USB Plug-In Screen

This screen will appear when a USB device is plugged into the ADM.

Here the user can select dates to download data from the ADM to the USB device by pressing the left and right arrow icons on either side of the screen



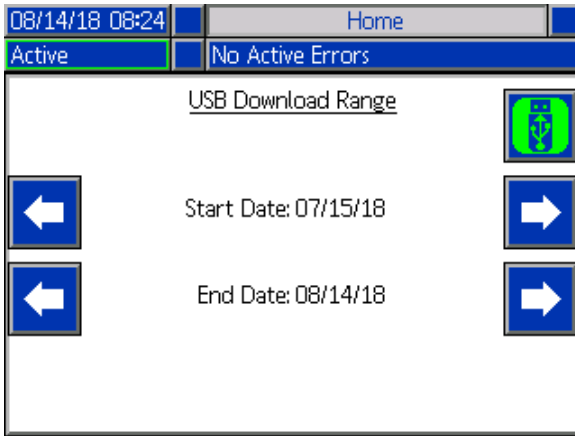
. Once the dates are selected, press the



icon, and the download will begin. Information available to download onto a USB device includes shot log data, errors and events.



If the cancel icon is pressed, the USB download will be aborted.



Software Update

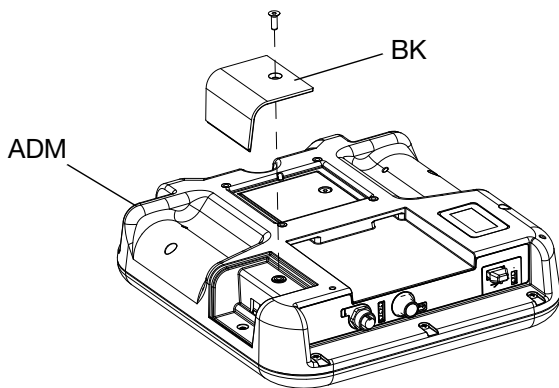
NOTE: If burning your own software token, see the ADM Token Programming manual. See **Related Manuals** on page 3. Otherwise, proceed to **17Y711 Software Update Procedure**.

17Y711 Software Update Procedure

NOTE: A token can be found in the ADM token compartment.

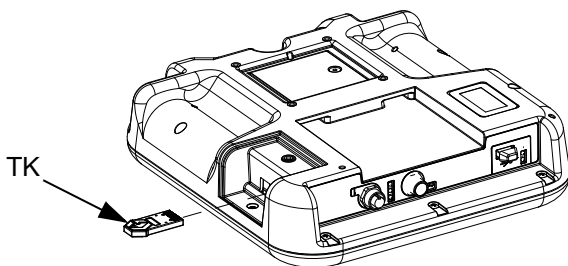
When software is updated on the ADM the software is then automatically updated on all connected modules. A status screen is shown while software is updating to indicate progress.

1. Turn power disconnect switch (C) to the OFF position.
2. Remove ADM from bracket.
3. Remove token access panel (BK).



4. Insert and press EFR software upgrade token (TK, part no. 17Y711) firmly into slot.

NOTE: There is no preferred orientation of token.



5. Turn the power disconnect switch (C) to the ON position.

NOTICE

A status is shown while software is updating to indicate progress. To prevent corrupting the software load, do not remove token until the status screen disappears.

NOTE: When the ADM display turns on, you may see the following screens:

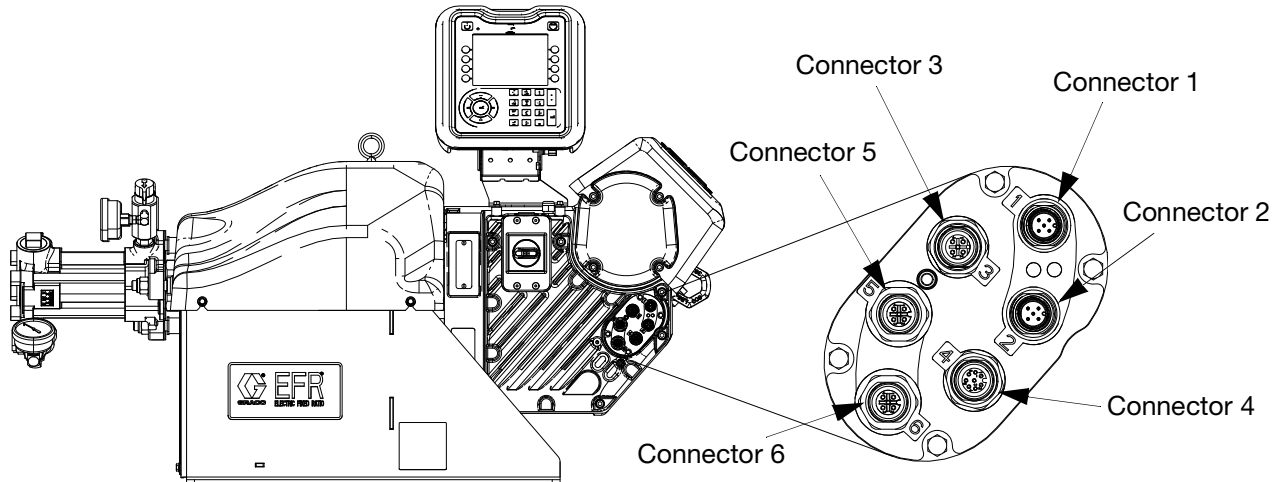
<p>First:</p> <p><i>Software is checking which modules will take the available updates.</i></p>	
<p>Second:</p> <p><i>Status of the update with approximate time until completion.</i></p>	
<p>Third:</p> <p><i>Updates are complete. Icon indicates update success/failure. See the following Icon table.</i></p>	

Icon	Description
	Update successful.
	Update unsuccessful.
	Update complete, no changes necessary.
	Modules were updated or didn't require an update; however, one or more modules need to be updated manually with a token.

6. Remove token (TK).
7. Replace token access panel (BK).
8. Install ADM into bracket.
9. Press to continue to EFR operation screens.

I/O Integration

NOTE: The EFR software considers +5V as ON, which means the +5V supply on pin 4 of connector 4 can also be used as an external source to trigger digital input pins ON.



Connector Identification


Connector	Description
1	CAN Cable ADM / CGM / Inlet Pressure Transducer / Day Tanks / Voltex
2	CAN Cable ADM / CGM / Inlet Pressure Transducer / Day Tanks / Voltex
3	M02 Valve Solenoid / A (Red), B (Blue) - Recirculation / Voltex
4	Foot Switch and I/O Integration.
5	B (Blue) Outlet Pressure Transducer
6	A (Red) Outlet Pressure Transducer

Pin Out of Connector 3 and Connector 4

Connector	Pin	Input/Output	Description
3	1	Digital Output: <ul style="list-style-type: none"> 24V is ON 0V is OFF 	Recirculation Valves Signal: When this digital output pin is ON, the recirculation valves will be opened. When this digital output pin is OFF, the recirculation valves will be closed. <i>NOTE:</i> Both A and B recirculation valves will be controlled by this digital output.
3	2	Digital Output: <ul style="list-style-type: none"> 24V is ON 0V is OFF 	Tip Valve Signal: When this digital output pin is ON, the tip valve will be opened. When this digital output pin is OFF, the tip valve will be closed. <i>NOTE:</i> Tip Valve Signal is only used when connected to a Voltex Dynamic Mix Valve.
3	3	N/A	Ground
3	4	Digital Output: <ul style="list-style-type: none"> 24V is ON 0V is OFF 	Dispense Valve Signal: When this digital output pin is ON, the dispense valve will be opened. When this digital output pin is OFF, the dispense valve will be closed. <i>NOTE:</i> When connected to a Voltex Dynamic Mix Valve, both A and B dispense valves will be controlled from this digital output.
3	5	N/A	Not Used
4	1	Digital Input: <ul style="list-style-type: none"> 5-24V is ON 0V is OFF 	Trigger Signal: When this digital input pin is pulsed ON by an external source or a foot switch, the EFR system will run the active sequence.
4	2	Digital Input: <ul style="list-style-type: none"> 5-24V is ON 0V is OFF 	Pressure Preset (Priming): When this digital input pin is ON, the EFR system will run the pressure preset procedure, and when this digital input pin is OFF, the pressure preset procedure will be stopped.
4	3	N/A	Ground
4	4	N/A	+5V Supply
4	5	Digital Input: <ul style="list-style-type: none"> 5-24V is ON 0V is OFF 	System Enable: When this digital input pin is ON, the EFR system will be active, and when this digital input pin is OFF, the EFR system will be inactive.
4	6	Analog Input: <ul style="list-style-type: none"> 0-10V Analog Range 	Analog Flow Rate: This Analog Flow Rate is only used when a sequence is in operator mode. The flow rate put into the operator mode will correspond to a 10V signal. Then a linear scale is used to scale across the analog range, with 0V being 0 flow. <i>Example:</i> If the operator mode of a sequence step has a flow rate of 100cc/min and the analog flow rate signal of 5V is sent over, the EFR will run at 50 cc/min. 10V is 100cc/min, 7.5V is 75cc/min and 0V is 0cc/min.
4	7	Digital Output: <ul style="list-style-type: none"> 5-24V is ON 0V is OFF 	System Ready: This digital output pin will be ON when the EFR system is ready to receive the next command. If the EFR system is dispensing, loading a sequence or the valve is open, the system ready signal will be OFF.
4	8	Digital Output: <ul style="list-style-type: none"> 5-24V is ON 0V is OFF 	Alarm Active: This digital output pin will be ON when the EFR system has an active alarm, deviation or advisory. When there are no active alarms, deviations or advisories, the digital output pin will be OFF.

I/O Integration Diagrams

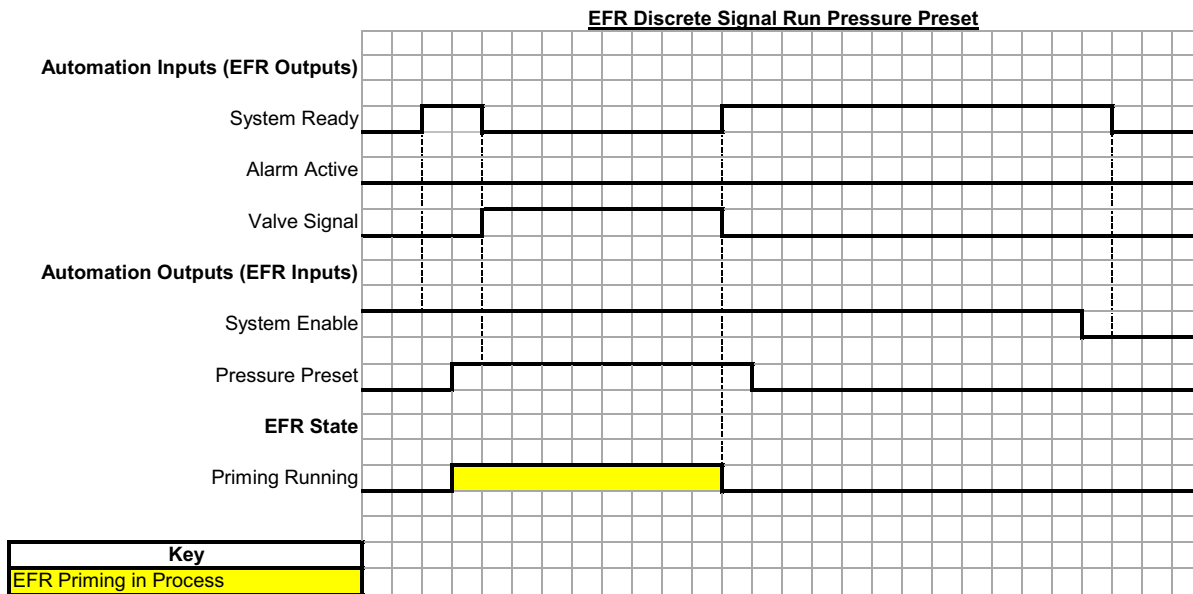
Before any integration signals can be sent over the I/O connection(s), the integration inputs to the EFR must be enabled on Integration Screen 1, and the system must be in the active state. Once the system ready pin is ON, the EFR is ready to receive commands from the PLC.

To put the system in the active state, press the  button on the ADM until the ADM LED status turns

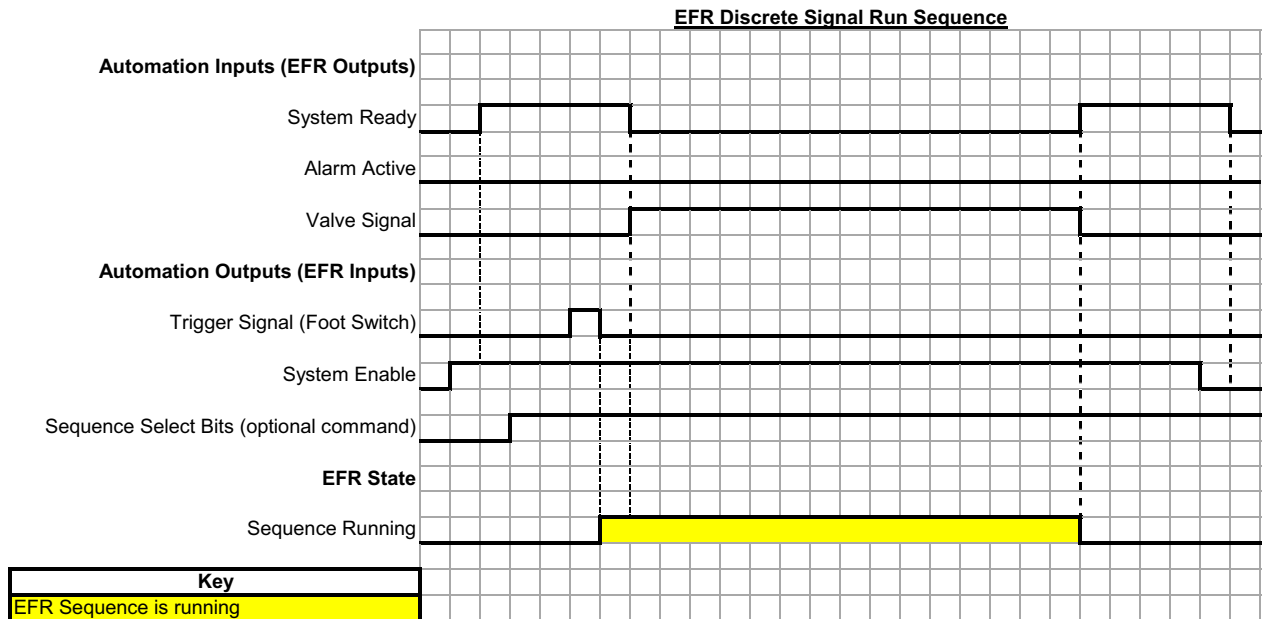
green, and “Active” is displayed in the upper left corner of the display. The system can also be put into the active state by turning the system enable I/O pin ON.

Once the system is in the active state, dispense commands can be sent over the I/O pins. This can be seen in the diagrams shown below.

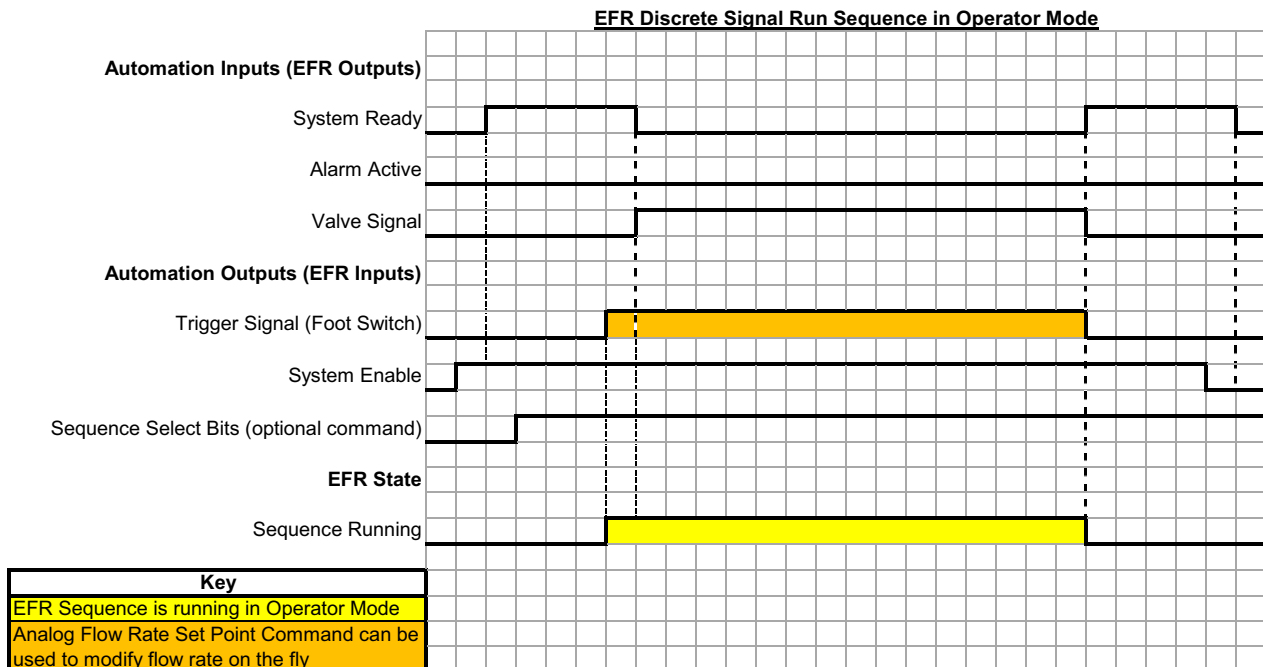
NOTE: A 100ms delay is suggested between each I/O signal.



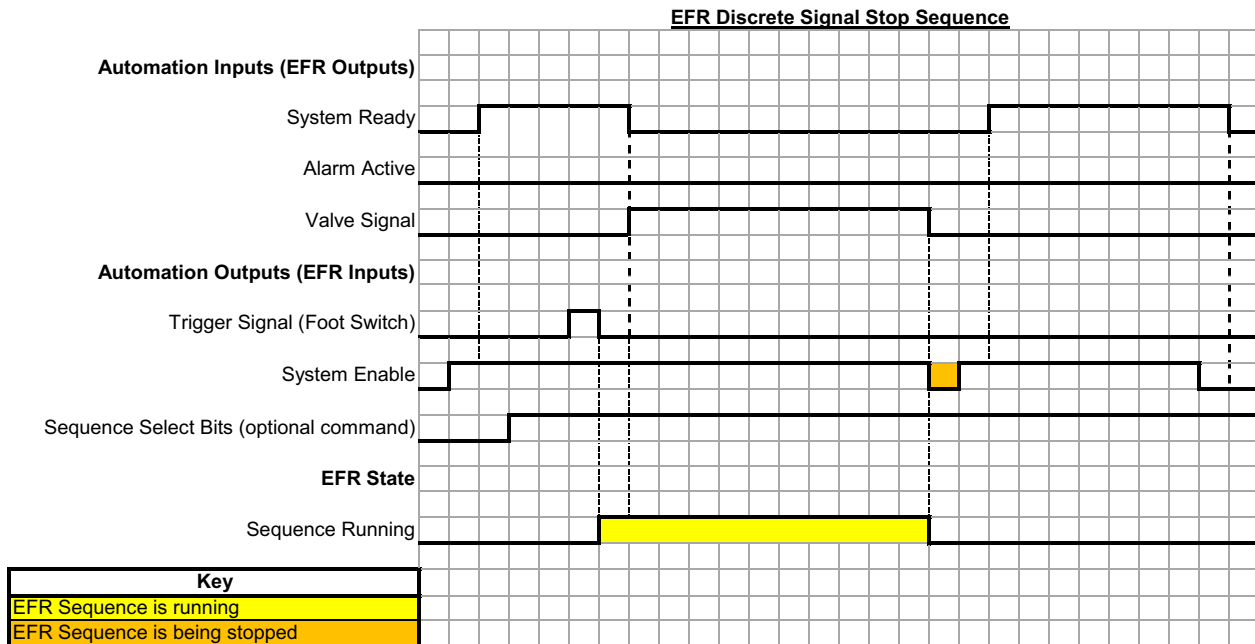
When the pressure preset pin is ON and the system is in the active state, the system will start the priming feature. If the system or pressure preset pin turns OFF, the system will stop the priming feature.



If the sequence is not in operator mode, a pulse on the trigger pin will result in the sequence being played. Sending the sequence select bits is optional. If the sequence select bits are not sent, the EFR will use the current selected sequence.



If a shot is in operator mode throughout a sequence, the EFR will only dispense that shot if the trigger pin is ON. Once the trigger pin is OFF, the EFR will continue to the next shot in the sequence. Sending the sequence select bits is optional. If the sequence select bits are not sent, the EFR will use the current selected sequence.



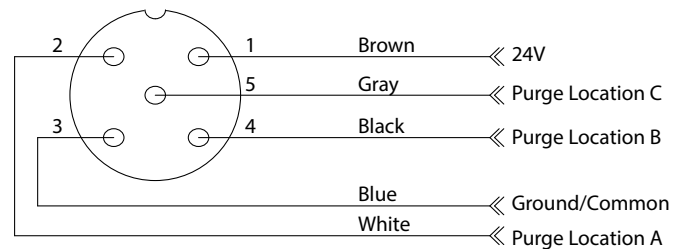
An OFF pulse on the system enable I/O pin will stop the sequence.

Sending the sequence select bits is optional. If the sequence select bits are not sent, the EFR will use the current selected sequence.

Foot Switch Connection

Connect the foot switch part number 255244 by plugging the 5 pin female connector of cable 17Z431 to the foot switch connector. If the I/O integration cable part number 128441 (138) is also desired, connect the splitter 127948 to connector 4 of the EFR, then connect the integration cable 128441 (138) and cable 17Z431 to the splitter. If the I/O integration cable is not desired, connect cable 17Z431 to connector 4 of the EFR

NOTE: The view shown looking at the pins on the end of the cable.



Gel Timer Purge Locations I/O

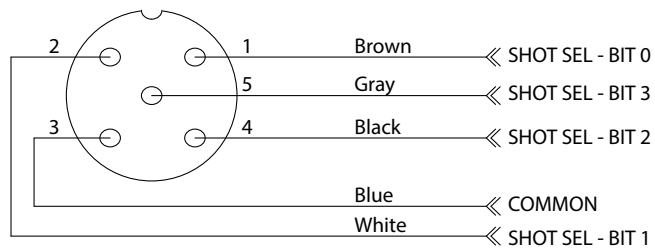
The Gel Timer can be setup to require the system to be a purge location prior to the Gel Timer expiring. There are up to three locations that can be setup as a purge location. Only one of the three locations needs to be met in order for the system to be in a purge location. The purge location pins are pulled high by default and must be pulled low in order to be in location. An Inlet pressure kit (25B128 or 25U084) is required to use the Gel Timer Purge Location, as the purge location pins are fed into Connector 1 of Inlet Pressure Kit's FCM.

Remote Sequence Selection

The active sequence can be changed using Connector #1 (AP) on the ADM. Selection bits are pulled high by default and must be dropped low to select the desired sequence. See FIG. 5, page 13.

ADM Connector #1 (AP)

NOTE: The view shown looking at the pins on the end of the cable. Part number 120997 (139).



Remote Sequence Selection Table

Sequence Number Selected	Sequence Selection BIT0 (Conn. #1, Pin #1)	Sequence Selection BIT1 (Conn. #1, Pin #2)	Sequence Selection BIT2 (Conn. #1, Pin #4)	Sequence Selection BIT3 (Conn. #1, Pin #5)
None / Display Module Selection	High	High	High	High
1	Low	High	High	High
2	High	Low	High	High
3	Low	Low	High	High
4	High	High	Low	High
5	Low	High	Low	High
6	High	Low	Low	High
7	Low	Low	Low	High
8	High	High	High	Low
9	Low	High	High	Low
10	High	Low	High	Low
11	Low	Low	High	Low
12	High	High	Low	Low
13	Low	High	Low	Low
14	High	Low	Low	Low
15	Low	Low	Low	Low

I/O Integration Cable Colors

The following table shows the wire color codes for the M12, 8 pin bare leads 13.1ft (4 m) pigtail cable part number 128441 (138) supplied with the EFR for I/O integration from EFR connector 4.

I/O Integration Cable Colors Table

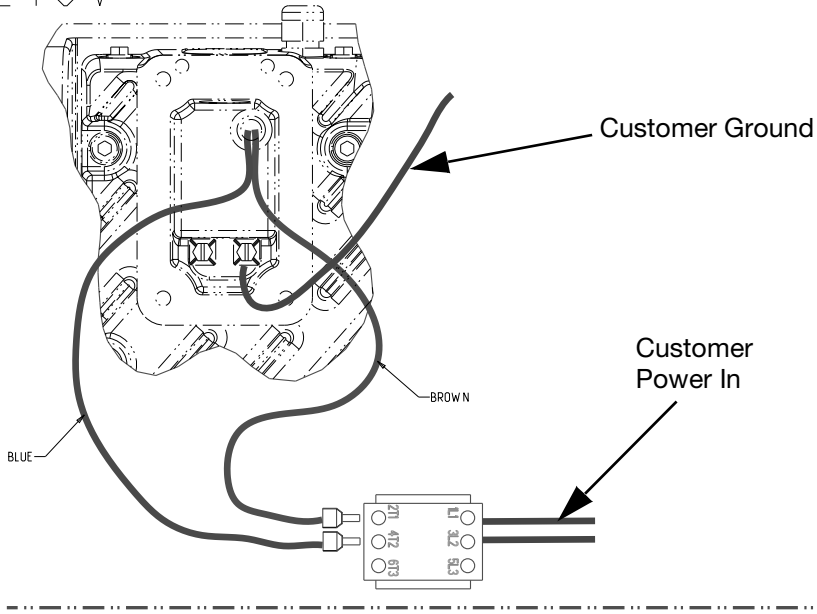
Pin	Color
1	White
2	Brown
3	Green
4	Yellow
5	Gray
6	Pink
7	Blue
8	Red

Wiring Diagrams

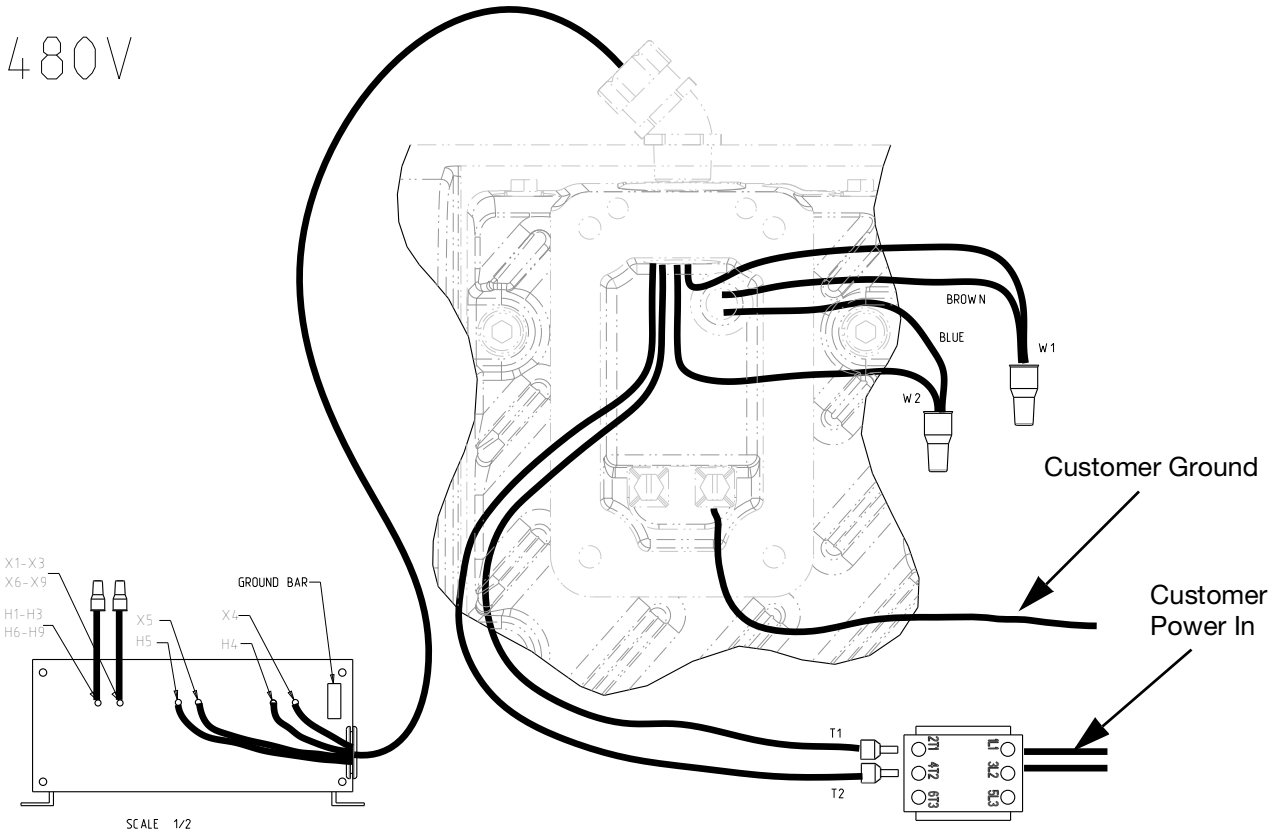
NOTE: See the APD20 Advanced Precision Driver Instructions manual for driver internal wiring.

Power Wiring

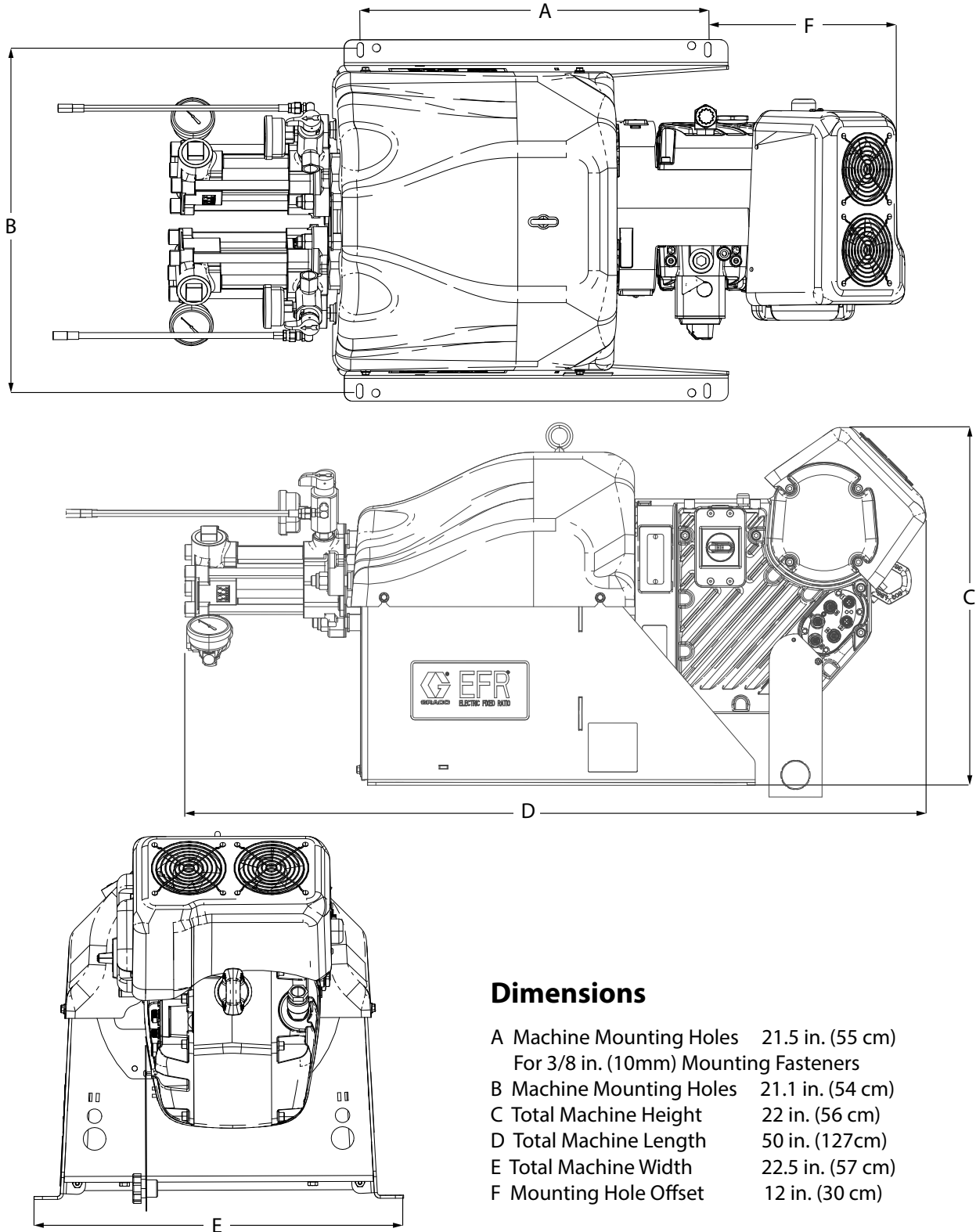
240V



480V



Dimensions



Dimensions

A Machine Mounting Holes	21.5 in. (55 cm)
For 3/8 in. (10mm) Mounting Fasteners	
B Machine Mounting Holes	21.1 in. (54 cm)
C Total Machine Height	22 in. (56 cm)
D Total Machine Length	50 in. (127cm)
E Total Machine Width	22.5 in. (57 cm)
F Mounting Hole Offset	12 in. (30 cm)

Technical Specifications

EFR		
	US	Metric
Maximum fluid working pressure ‡	3500 psi	24 MPa, 241 bar
Maximum fluid temperature	120°F	50°C
Fluid circulation ports	1/4 NPS(m)	
Line voltage rating	200-240V, 1ph, 50/60 Hz	
	400-480V, 1ph, 50/60 Hz	
Wetted parts	Stainless steel, zinc-plated carbon steel, brass, tungsten carbide, chrome, fluoroelastomer, PTFE, ultra-high molecular weight polyethylene, silicon nitride	
Weight (not including supply pumps)		
240V systems	320 lbs	145 kg
480V systems	401 lbs	182 kg
Full load amperage		
240V systems	20A	
480V systems	10A	
Fluid inlet pressure at inlet fitting		
Pump Inlet	70 - 2000 psi	0.48 - 13.8 MPa, 4.8 - 138 bar
Fluid Inlets		
Component A	3/4 npt(f)	
Component B	3/4 npt(f)	
Fluid Outlets on Manifolds		
Component A	1/2 npt(f)	
Component B	1/2 npt(f)	
Notes		
<p>‡ The maximum fluid working pressure for the base machine without hoses is 3500 psi (24.1 MPa, 241 bar). If hoses, valves or accessories rated at less than 3500 psi are installed, the system maximum fluid working pressure becomes the rating of the hoses. The minimum pressure rating for hoses is 2000 psi (13.8 MPa, 138 bar). Do not install hoses with a pressure rating lower than 2000 psi (13.8 MPa, 138 bar).</p> <p>All other brand names or marks are used for identification purposes and are trademarks of their respective owners.</p>		

Pump Performance Table

Performance				
Combined Displacement (A Pump + B Pump)	Min Shot Size	Min Output Flow	Max Output Flow (20 cycles/min max)*	Max Average Outlet Pressure ‡ **
60 cc	0.3 cc	20 cc/min	1,200 cc/min	3,500 psi (241 bar)
80 cc	0.3 cc	20 cc/min	1,600 cc/min	3,500 psi (241 bar)
100 cc	0.3 cc	20 cc/min	2,000 cc/min	3,500 psi (241 bar)
120 cc	0.3 cc	20 cc/min	2,400 cc/min	3,500 psi (241 bar)
140 cc	0.3 cc	20 cc/min	2,800 cc/min	3,400 psi (235 bar)
160 cc	0.3 cc	20 cc/min	3,200 cc/min	3,000 psi (207 bar)

* Flow may be limited by the amount of pressure generated when using thick materials or with high restriction.

** High inlet pressures reduce this value, subtract 2x inlet pressure.

Maximum average outlet pressure = 476,000 / Combined Pump Displacement in cc (A Pump + B Pump)

Example #1: For an application with a 70 cc A pump and a 70 cc B Pump, the maximum average outlet pressure is the following:

$$= 476,000 / (70 \text{ cc} + 70 \text{ cc}) = 3,400 \text{ psi}$$

Example #2: For an application with an 80 cc A Pump and a 120 cc B Pump, the maximum average outlet pressure is the following:

$$= 476,000 / (80 \text{ cc} + 120 \text{ cc}) = 2,380 \text{ psi}$$

California Proposition 65

CALIFORNIA RESIDENTS

 **WARNING:** Cancer and reproductive harm – www.P65warnings.ca.gov.

Graco Standard Warranty

Graco warrants all equipment referenced in this document which is manufactured by Graco and bearing its name to be free from defects in material and workmanship on the date of sale to the original purchaser for use. With the exception of any special, extended, or limited warranty published by Graco, Graco will, for a period of twelve months from the date of sale, repair or replace any part of the equipment determined by Graco to be defective. This warranty applies only when the equipment is installed, operated and maintained in accordance with Graco's written recommendations.

This warranty does not cover, and Graco shall not be liable for general wear and tear, or any malfunction, damage or wear caused by faulty installation, misapplication, abrasion, corrosion, inadequate or improper maintenance, negligence, accident, tampering, or substitution of non-Graco component parts. Nor shall Graco be liable for malfunction, damage or wear caused by the incompatibility of Graco equipment with structures, accessories, equipment or materials not supplied by Graco, or the improper design, manufacture, installation, operation or maintenance of structures, accessories, equipment or materials not supplied by Graco.

This warranty is conditioned upon the prepaid return of the equipment claimed to be defective to an authorized Graco distributor for verification of the claimed defect. If the claimed defect is verified, Graco will repair or replace free of charge any defective parts. The equipment will be returned to the original purchaser transportation prepaid. If inspection of the equipment does not disclose any defect in material or workmanship, repairs will be made at a reasonable charge, which charges may include the costs of parts, labor, and transportation.

THIS WARRANTY IS EXCLUSIVE, AND IS IN LIEU OF ANY OTHER WARRANTIES, EXPRESS OR IMPLIED, INCLUDING BUT NOT LIMITED TO WARRANTY OF MERCHANTABILITY OR WARRANTY OF FITNESS FOR A PARTICULAR PURPOSE.

Graco's sole obligation and buyer's sole remedy for any breach of warranty shall be as set forth above. The buyer agrees that no other remedy (including, but not limited to, incidental or consequential damages for lost profits, lost sales, injury to person or property, or any other incidental or consequential loss) shall be available. Any action for breach of warranty must be brought within two (2) years of the date of sale.

GRACO MAKES NO WARRANTY, AND DISCLAIMS ALL IMPLIED WARRANTIES OF MERCHANTABILITY AND FITNESS FOR A PARTICULAR PURPOSE, IN CONNECTION WITH ACCESSORIES, EQUIPMENT, MATERIALS OR COMPONENTS SOLD BUT NOT MANUFACTURED BY GRACO. These items sold, but not manufactured by Graco (such as electric motors, switches, hose, etc.), are subject to the warranty, if any, of their manufacturer. Graco will provide purchaser with reasonable assistance in making any claim for breach of these warranties.

In no event will Graco be liable for indirect, incidental, special or consequential damages resulting from Graco supplying equipment hereunder, or the furnishing, performance, or use of any products or other goods sold hereto, whether due to a breach of contract, breach of warranty, the negligence of Graco, or otherwise.

FOR GRACO CANADA CUSTOMERS

The Parties acknowledge that they have required that the present document, as well as all documents, notices and legal proceedings entered into, given or instituted pursuant hereto or relating directly or indirectly hereto, be drawn up in English. Les parties reconnaissent avoir convenu que la rédaction du présente document sera en Anglais, ainsi que tous documents, avis et procédures judiciaires exécutés, donnés ou intentés, à la suite de ou en rapport, directement ou indirectement, avec les procédures concernées.

Graco Information

For the latest information about Graco products, visit www.graco.com.

For patent information, see www.graco.com/patents.

TO PLACE AN ORDER, contact your Graco distributor or call to identify the nearest distributor.

Toll Free Phone Number: 1-800-328-0211

All written and visual data contained in this document reflects the latest product information available at the time of publication. Graco reserves the right to make changes at any time without notice.

Original instructions. This manual contains English. MM 3A6165

Graco Headquarters: Minneapolis

International Offices: Belgium, China, Japan, Korea

GRACO INC. AND SUBSIDIARIES • P.O. BOX 1441 • MINNEAPOLIS MN 55440-1441 • USA
Copyright 2018, Graco Inc. All Graco manufacturing locations are registered to ISO 9001.

www.graco.com
Revision U, September 2024