

GMAX™ 3400, GMAX™ II 3900/5900/7900, and TexSpray 5900HD/7900HD Airless Sprayers

332921L
EN

For professional use only.
Not approved for use in European explosive atmosphere locations.
For the application of architectural paints and coatings.

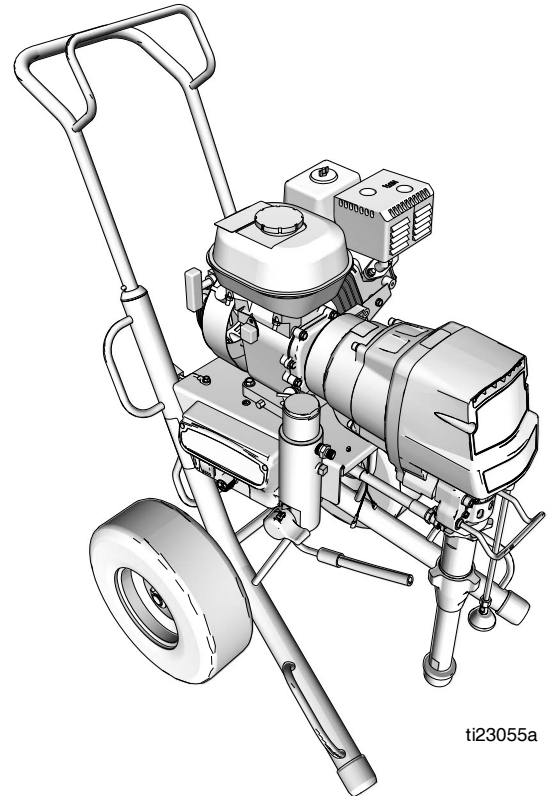
3300 psi (22.8 MPa, 228 bar) Maximum Working Pressure



Important Safety Instructions

Read all warnings and instructions in this manual.
 Save these instructions.

| GMAX 3400 | | | | | |
|-----------------|----------|---------------|---------|-------------------|-------------|
| Model: | Standard | | | | |
| 16W863 | ✓ | | | | |
| GMAX II 3900 | | | | | |
| Model: | Standard | ProContractor | Lo-Boy | RentalPro 360G | |
| 16W865 | ✓ | | | | |
| 16W866 | | | ✓ | | |
| 16W867 | | ✓ | | | |
| 16W984 | | | | ✓ | |
| GMAX II 5900 | | | | | |
| Model: | Standard | ProContractor | Lo-Boy | IronMan | Convertible |
| 16W869 | ✓ | | | | |
| 16W870 | | | ✓ | | |
| 16W871 | | ✓ | | | |
| 16W881 | | | | ✓ | |
| 16W873 | | | | | ✓ |
| GMAX II 7900 | | | | | |
| Model: | Standard | ProContractor | Lo-Boy | IronMan | Roof Rig |
| 16W883 | ✓ | | | | |
| 16W884 | | | ✓ | | |
| 16W885 | | ✓ | | | |
| 16W987 | | | | | ✓ |
| TexSpray 5900HD | | | | | |
| Model: | Standard | ProContractor | | | |
| 16W889 | ✓ | | | | |
| 16W882 | | ✓ | | | |
| TexSpray 7900HD | | | | | |
| Model: | Standard | ProContractor | IronMan | | |
| 16W890 | ✓ | | | | |
| 16W888 | | ✓ | | | |
| 16X949 | | | ✓ | | |



ti23055a

Related Manual:
 Operation 332919

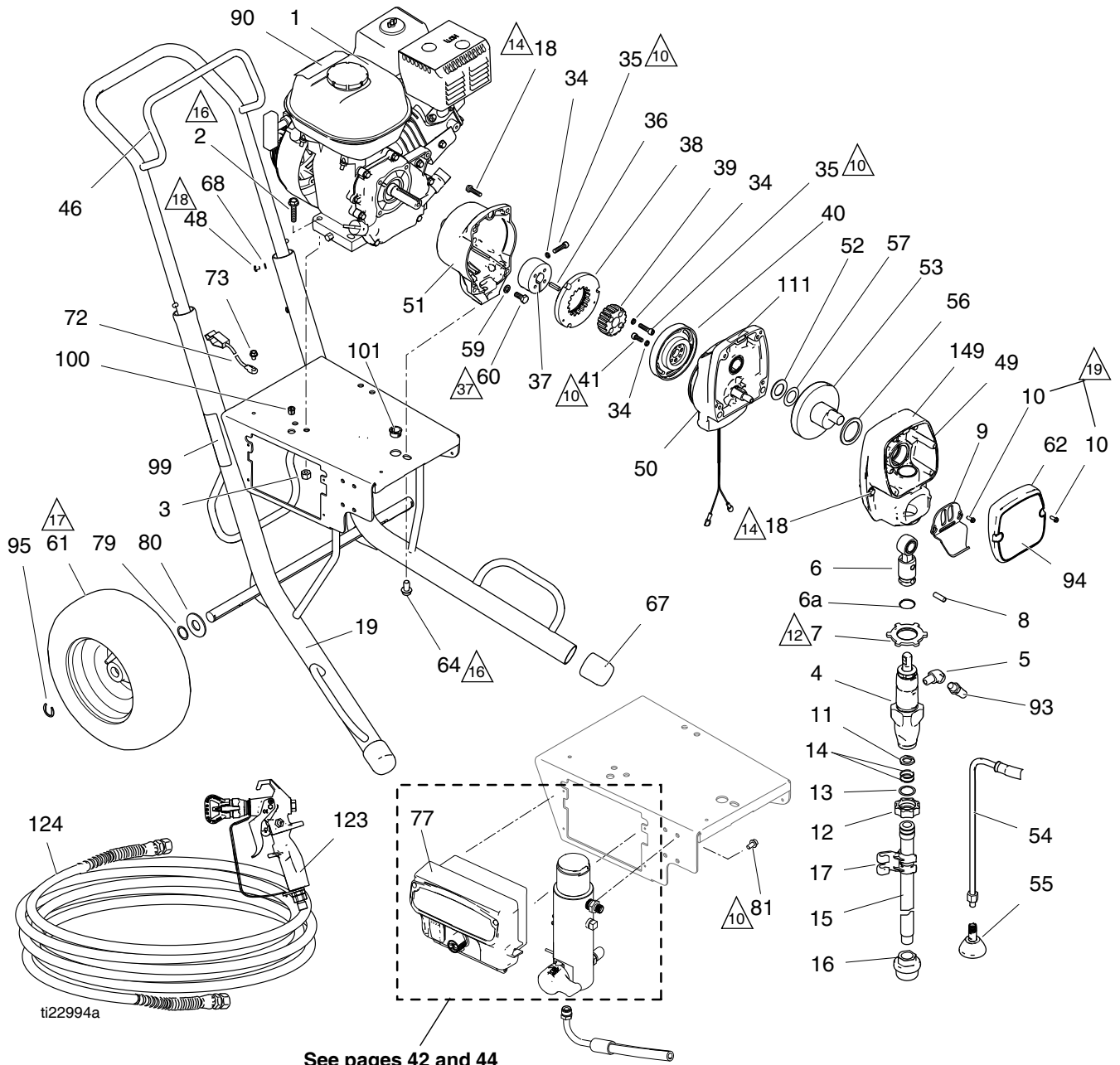
Contents

| | | | |
|---|-----------|---|-----------|
| GMAX 3400 Standard Series | 4 | GMAX II 7900/TexSpray 7900HD Standard Series/Roof Rig | 27 |
| Parts List - GMAX 3400 Standard Series | 5 | Parts List - GMAX II 7900/TexSpray 7900HD Standard Series/Roof Rig | 28 |
| GMAX II 3900 Standard Series/Rental Pro 360G .. | 6 | GMAX II 7900/TexSpray 7900HD ProContractor Series | 29 |
| Parts List - GMAX II 3900 Standard Series/Rental Pro 360G | 7 | Parts List - GMAX II 7900/TexSpray 7900HD ProContractor Series | 30 |
| GMAX II 3900 Lo-Boy Series | 8 | GMAX II 7900/TexSpray 7900 IronMan | 32 |
| Parts List - GMAX II 3900 Lo-Boy Series | 9 | Parts List - GMAX II 7900/TexSpray 7900HD IronMan | 33 |
| GMAX II 3900 ProContractor Series | 10 | GMAX II 7900 Lo-Boy | 34 |
| Parts List - GMAX II 3900 ProContractor Series .. | 11 | Parts List - GMAX II 7900/Lo-Boy | 35 |
| GMAX II 5900/5900HD Standard Series | 12 | LoBoy Suction Set Kits (Kits include suction set and drain hose) ... | 37 |
| Parts List - GMAX II 5900/5900HD Standard Series .. | 13 | Control Box 16X821 | 38 |
| GMAX II 5900 Lo-Boy Series | 14 | Parts List - Control Box 16X821 | 39 |
| Parts List - GMAX II 5900 Lo-Boy Series | 15 | Control Box 16X822 | 40 |
| GMAX II 5900/5900HD ProContractor Series ... | 16 | Parts List - Control Box 16X822 | 41 |
| Parts List - GMAX II 5900/5900HD ProContractor Series | 17 | Control Box 25P549 | 42 |
| GMAX II 5900 IronMan Series | 19 | Parts List - Control Box 25P549 | 42 |
| Parts List - GMAX II 5900 IronMan Series | 20 | Filter | 43 |
| GMAX II 5900 Convertible Series | 21 | Parts List - Filter | 43 |
| Parts List - GMAX II 5900 Convertible Series .. | 22 | Filter (3400 Models only) | 44 |
| GMAX II 5900 Convertible Series | 23 | Parts List - Filter | 44 |
| Engine Detail | 23 | Hose Reel (ProContractor Sprayers) | 45 |
| GMAX II 5900 Convertible Series | 24 | Pressure Control Wiring Diagrams | 46 |
| Engine Detail - Parts List | 24 | GMAX 3400 Sprayers | 46 |
| GMAX II 5900 Convertible Series | 25 | 3900/5900/7900 Sprayers | 47 |
| Clutch Housing - Parts Drawing and List | 25 | Graco Standard Warranty | 48 |

Notes

| |
|--|
| |
| |
| |
| |
| |
| |
| |
| |
| |
| |
| |
| |
| |
| |
| |
| |
| |
| |
| |
| |
| |
| |
| |
| |
| |
| |
| |
| |
| |
| |
| |
| |
| |
| |
| |
| |
| |
| |
| |
| |
| |
| |
| |
| |

GMAX 3400 Standard Series



Parts List - GMAX 3400 Standard Series

| Ref. | Part | Description | Qty. | Ref. | Part | Description | Qty. |
|------|---------|---|------|------|--------|---|------|
| 1 | 108879 | ENGINE, gasoline, 4.0 HP | 1 | 60 | 108842 | SCREW, cap, hex hd | 4 |
| | 25P294 | ENGINE, gasoline, 4.0 HP (China only) | 1 | 61 | 119420 | WHEEL, pneumatic | 2 |
| 2 | 110837 | SCREW, flange, hex | 2 | 62 | 287487 | COVER, front, painted, <i>includes 10</i> | 1 |
| 3 | 110838 | NUT, lock | 2 | 64 | 112395 | SCREW, cap, flng hd | 1 |
| 4 | 246428 | PUMP, displacement, st | 1 | 67 | 15C871 | CAP, leg | 2 |
| 5 | 119789 | FITTING, elbow, street, 45°, 1/4 npt | 1 | 68 | 100020 | WASHER, lock | 4 |
| 6 | 287053 | ROD, connecting | 1 | 72 | 237686 | WIRE, ground assembly w/clamp | 1 |
| 6a | 196750 | SPRING, retaining | 1 | 73 | 112798 | SCREW, thread forming, hex hd | 1 |
| 7 | 195150 | NUT, jam, pump | 1 | 77 | 25P549 | BOX, control, GMAX 3400 | 1 |
| 8 | 196762 | PIN, straight | 1 | 79 | 116038 | WASHER, wave spring | 2 |
| 9 | 15C146 | HOOK, pail | 1 | 80 | 156306 | WASHER, flat | 2 |
| 10 | 117501 | SCREW, mach, hex washer hd | 4 | 81 | 113161 | SCREW, flange, hex hd | 3 |
| 11 | 115099 | WASHER, garden hose | 1 | 90▲ | 194126 | LABEL, warning | 1 |
| 12 | 15E813 | NUT, jam | 1 | 93 | 241926 | HOSE, coupled | 1 |
| 13 | 15B652 | WASHER, suction | 1 | 94 | 16X353 | LABEL, brand | 1 |
| 14 | 103413 | O-RING | 2 | 95 | 15E891 | CLIP, retaining | 2 |
| 15 | 15E805 | TUBE, intake, 3400 | 1 | 99▲ | 15F638 | LABEL, warning | 1 |
| 16 | 246385 | STRAINER, 7/8-14 unf | 1 | 100 | 114678 | BUSHING, strain relief | 1 |
| 17 | 276888 | CLIP, drain line | 1 | 101 | 119569 | BUSHING, strain relief | 1 |
| 18 | 119426 | SCREW, mach, hex washer hd | 8 | 111▲ | 290228 | LABEL, caution | 1 |
| 19 | 287411 | FRAME, cart, GMAX 3400 hi | 1 | 123 | 288420 | GUN, contractor, RAC X, packaged | 1 |
| 34 | 105510* | WASHER, lock, spring (hi-collar) | 10 | 124 | 240794 | HOSE, coupled, 1/4 in. x 50 ft | 1 |
| 35 | 108803 | SCREW, hex, socket head | 6 | 135 | 15F354 | FUNNEL, oil (not shown) | 1 |
| 36 | 183401 | KEY, parallel | 1 | 149 | 16X983 | LABEL, brand, standard | 1 |
| 37 | 193680 | COLLAR, shaft | 1 | ▲ | 16Y631 | LABEL, warning | 1 |
| 38 | * | ARMATURE, clutch, 4 in. | 1 | ▲ | 16Y632 | LABEL, warning | 1 |
| 39 | * | HUB, armature | 1 | ▲ | 16Y633 | LABEL, warning | 1 |
| 40 | * | ROTOR, clutch, 4 in. | 1 | | | | |
| 41 | 101682* | SCREW, cap, sch | 4 | | | | |
| 46 | 287489 | HANDLE, cart | 1 | | | | |
| 48 | 109032 | SCREW, mach, pnh | 4 | | | | |
| 49 | 287483 | HOUSING, drive, 3400 | 1 | | | | |
| | | <i>includes 9, 10, 18 & grease 110293</i> | | | | | |
| 50 | 287376 | HOUSING, pinion, 3400 | 1 | | | | |
| 51 | 15E535 | HOUSING, clutch, mach, 3400 | 1 | | | | |
| 52 | 116074 | WASHER, thrust | 1 | | | | |
| 53 | 287484 | CRANK, GMAX 3400 | 1 | | | | |
| | | <i>includes 52, 56, 57</i> | | | | | |
| 54 | 244240 | HOSE, coupled, <i>includes 55</i> | 1 | | | | |
| 55 | 241920 | DEFLECTOR, threaded | 1 | | | | |
| 56 | 180131 | BEARING, thrust | 1 | | | | |
| 57 | 107434 | BEARING, thrust | 1 | | | | |
| 59 | 100214 | WASHER, lock | 4 | | | | |

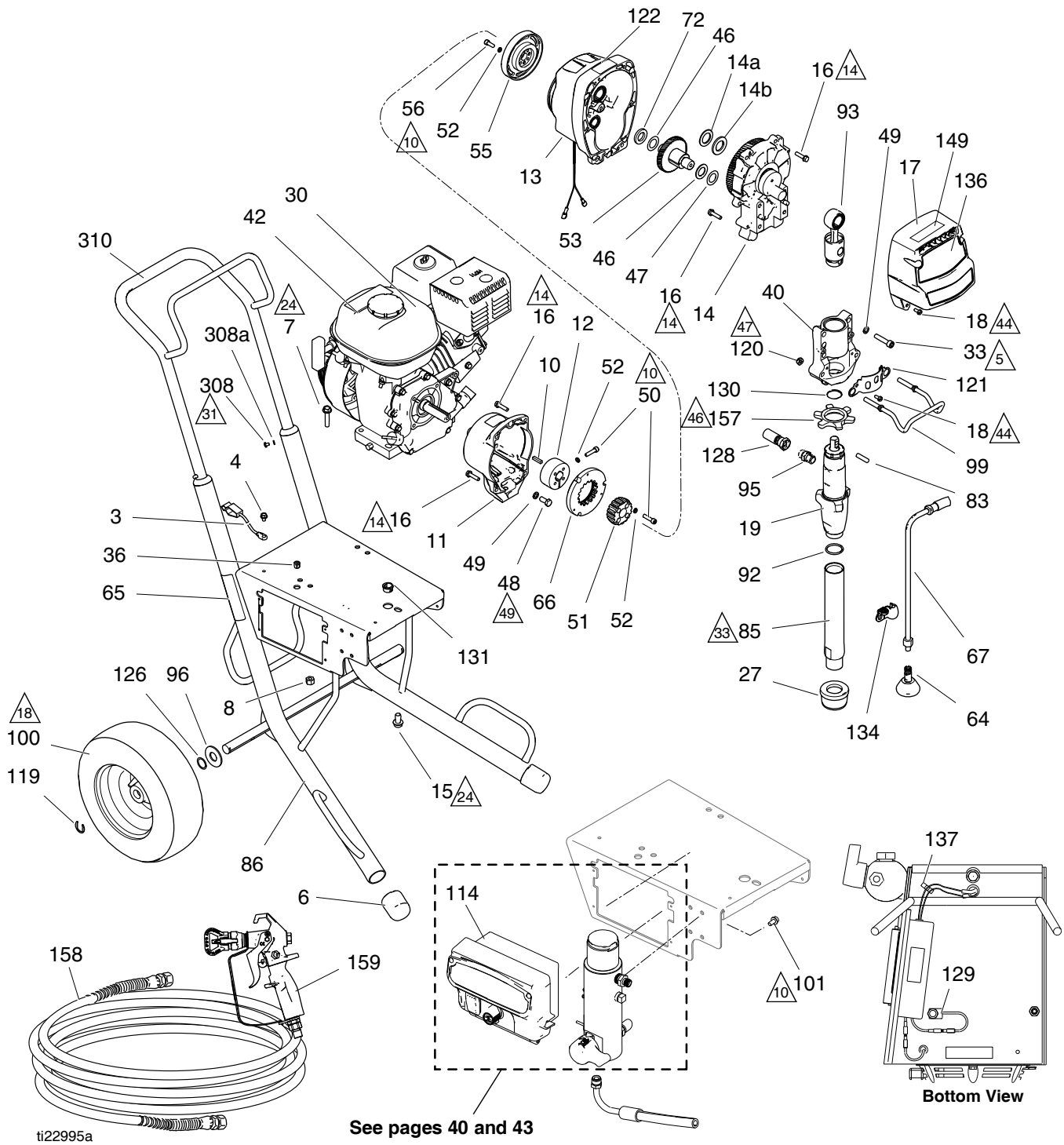
▲ Replacement Danger and Warning Labels, Tags and Cards are available at no cost.

* Included in Clutch Replacement Kit 241109.

Part Specifications:

| Ref. | Instruction |
|------|--|
| ▲10 | Torque to 115-135 in-lb (12.9-15.2 N•m) |
| ▲12 | Torque to 70-80 ft-lb (94.9-108.4 N•m) |
| ▲14 | Torque to 130-150 in-lb (14.6-16.9 N•m) |
| ▲16 | Torque to 17-23 ft-lb (23.0-31.1 N•m) |
| ▲17 | Inflate tires to 28-32 psi (1.93-2.21 bar/0.193-0.221 MPa) |
| ▲18 | Torque to 25-35 in-lb (2.8-3.9 N•m) |
| ▲19 | Torque to 30-35 in-lb (3.3-3.9 N•m) |
| ▲19A | Torque to 170-190 in-lb (19.2-21.4 N•m) |

GMAX II 3900 Standard Series/Rental Pro 360G



Parts List - GMAX II 3900 Standard Series/Rental Pro 360G

| Ref. | Part | Description | Qty. | Ref. | Part | Description | Qty. |
|------|--------|--|------|------|--------|----------------------------------|------|
| 3 | 237686 | WIRE, ground assembly w/ clamp | 1 | 119 | 15E891 | CLIP, retaining | 2 |
| 4 | 112798 | SCREW, thread forming, hex hd | 1 | 120H | 111040 | NUT, lock, insert, nylon | 2 |
| 6 | 15C871 | CAP, leg | 2 | 121H | 16X770 | SHIELD, pump rod | 1 |
| 7 | 110837 | SCREW, flange, hex | 2 | 122▲ | 290228 | LABEL, caution | 1 |
| 8 | 110838 | NUT, lock | 2 | 126 | 116038 | WASHER, wave spring | 2 |
| 10 | 183401 | KEY, parallel | 1 | 128 | 16X909 | HOSE, coupled | 1 |
| 11 | 15E535 | HOUSING, clutch, machine | 1 | 129 | 119579 | CONDUCTOR, ground | 1 |
| 12 | 193680 | COLLAR, shaft | 1 | 130 | 119676 | SPRING, retaining | 1 |
| 13 | 287463 | HOUSING, pinion, 3900 | 1 | 131 | 119569 | BUSHING, strain relief | 1 |
| 14 | 287467 | HOUSING, drive, 3900, <i>includes 14a, 14b</i> | 1 | 134H | 278204 | CLIP, drain line | 1 |
| 14a | 116191 | WASHER, thrust | 1 | 135 | 15F354 | FUNNEL, oil (not shown) | 1 |
| 14b | 107089 | WASHER, race, thrust | 1 | 136 | 16X348 | LABEL, front, 3900 | 1 |
| 15 | 112395 | SCREW, cap, flng hd | 1 | | 16X359 | LABEL, front, 360G | 1 |
| 16 | 119426 | SCREW, mach, hex washer hd | 10 | 137 | 114687 | CLIP, retainer | 1 |
| 17 | 16Y747 | COVER, front, (includes 18) | 1 | 149 | 16X983 | LABEL, standard series | 1 |
| 18H | 118444 | SCREW, mach, slot hex wash hd | 6 | 157 | 192723 | NUT, retaining | 1 |
| 19 | 16Y598 | PUMP, displacement, <i>includes 85, 92, 95</i> | 1 | 158 | 240794 | HOSE, coupled, 1/4 in. x 50 ft | 1 |
| 27 | 189920 | STRAINER, (1-11 1/2 NPSM) | 1 | 159 | 288420 | GUN, contractor, RAC X, packaged | 1 |
| 30 | 108879 | ENGINE, gasoline, 4.0 HP | 1 | 308 | 109032 | SCREW, mach, pnh | 4 |
| 33 | 113467 | SCREW, cap, socket hd | 4 | 308a | 100020 | WASHER, lock | 4 |
| 36 | 114678 | BUSHING, strain relief | 1 | 310 | 287489 | HANDLE, cart | 1 |
| 40H | | HOUSING, bearing | 1 | ▲ | 16Y631 | LABEL, warning | 1 |
| 42▲ | 194126 | LABEL, warning | 1 | ▲ | 16Y632 | LABEL, warning | 1 |
| 46 | 114699 | WASHER, thrust | 2 | ▲ | 16Y633 | LABEL, warning | 1 |
| 47 | 114672 | WASHER, thrust | 1 | | | | |
| 48 | 108842 | SCREW, cap, hex hd | 4 | | | | |
| 49H | 100214 | WASHER, lock | 8 | | | | |
| 50† | 108803 | SCREW, hex, socket head | 6 | | | | |
| 51† | | HUB, armature | 1 | | | | |
| 52† | 105510 | WASHER, lock, spring (hi-collar) | 10 | | | | |
| 53 | 287653 | GEAR, combination | 1 | | | | |
| 55† | | ROTOR, clutch, 4 in. | 1 | | | | |
| 56† | 101682 | SCREW, cap, sch | 4 | | | | |
| 64 | 241920 | DEFLECTOR, threaded | 1 | | | | |
| 65▲ | 15F638 | LABEL, warning fire and skin, GMAX | 1 | | | | |
| 66† | | ARMATURE, clutch, 4 in. | 1 | | | | |
| 67 | 244240 | HOSE, coupled, <i>includes 64</i> | 1 | | | | |
| 72 | 15F250 | WASHER, thrust | 1 | | | | |
| 83 | 15F855 | PIN, pump | 1 | | | | |
| 85 | 15E807 | TUBE, intake | 1 | | | | |
| 86 | 287411 | FRAME, standard, cart | 1 | | | | |
| 92 | 118494 | PACKING, o-ring | 1 | | | | |
| 93 | 241008 | ROD, connecting | 1 | | | | |
| 95 | 196178 | FITTING | 1 | | | | |
| 96 | 156306 | WASHER, flat | 2 | | | | |
| 99H | 16C457 | HANGER, pail | 1 | | | | |
| 100 | 119420 | WHEEL, pneumatic | 2 | | | | |
| 101 | 113161 | SCREW, flange, hex hd | 3 | | | | |
| 114 | 16X822 | BOX, control | 1 | | | | |

▲ Replacement Danger and Warning Labels, Tags and Cards are available at no cost.

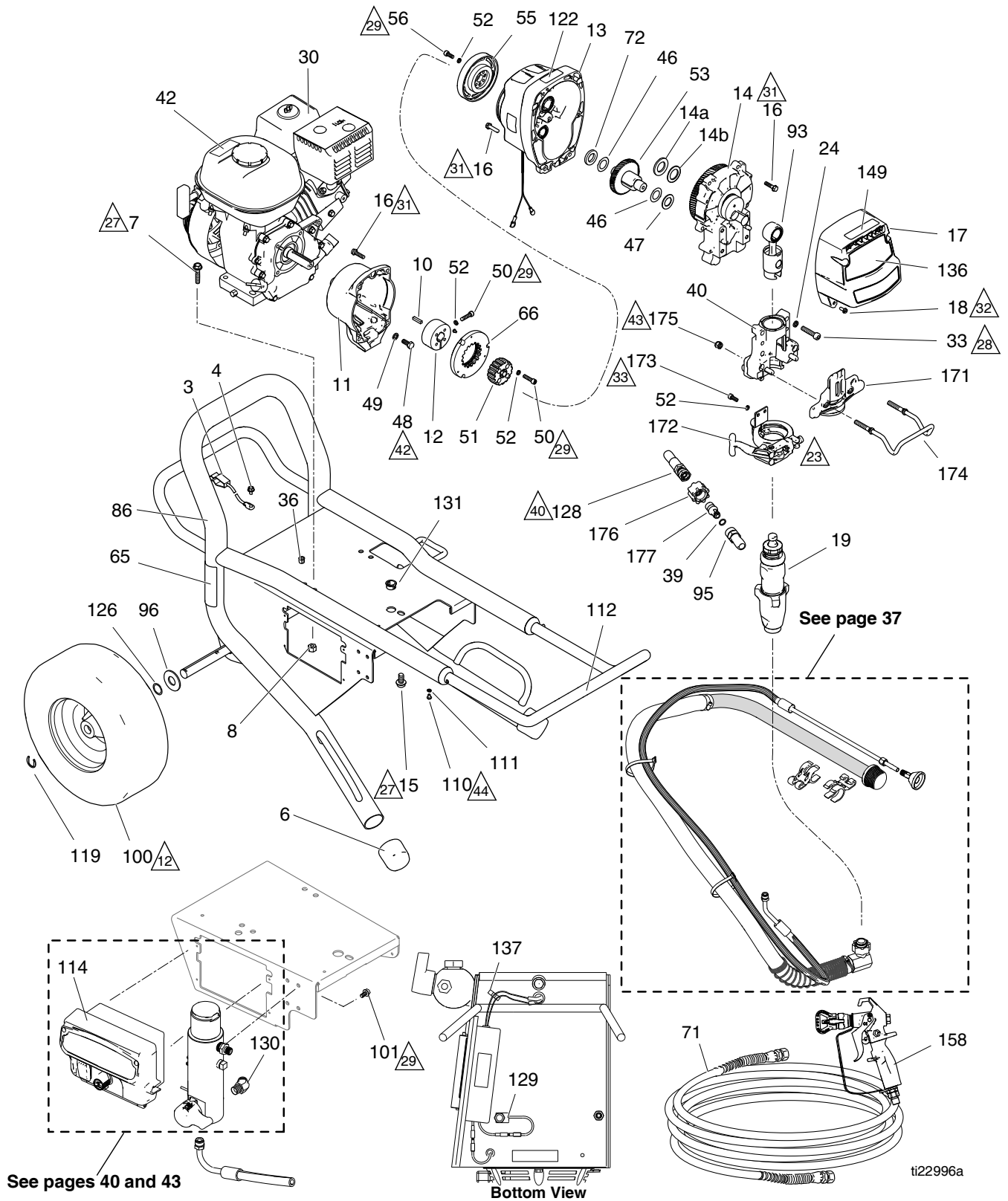
† Included in Clutch Replacement Kit 241109.

H Included in bearing housing kit 24V026

Part Specifications:

| Ref. | Instruction |
|------|--|
| 5 | Torque to 190-210 in-lb (21.4-23.7 N•m) |
| 10 | Torque to 115-135 in-lb (12.9-15.2 N•m) |
| 14 | Torque to 130-150 in-lb (14.6-16.9 N•m) |
| 18 | Inflate tires to 28-32 psi (1.93-2.21 bar/0.193-0.221 MPa) |
| 24 | Torque to 17-23 ft-lb (23.0-31.1 N•m) |
| 31 | Torque to 25-35 in-lb (2.8-3.9 N•m) |
| 33 | Torque to 70-90 in-lb (7.9-10.1 N•m) |
| 44 | Torque to 30-35 in-lb (3.3-3.9 N•m) |
| 46 | Torque to 70-80 ft-lb (94.9-108.4 N•m) |
| 47 | Torque to 200-230 in-lb (22.5-25.9 N•m) |
| 49 | Torque to 170-190 in-lb (19.2-21.4 N•m) |

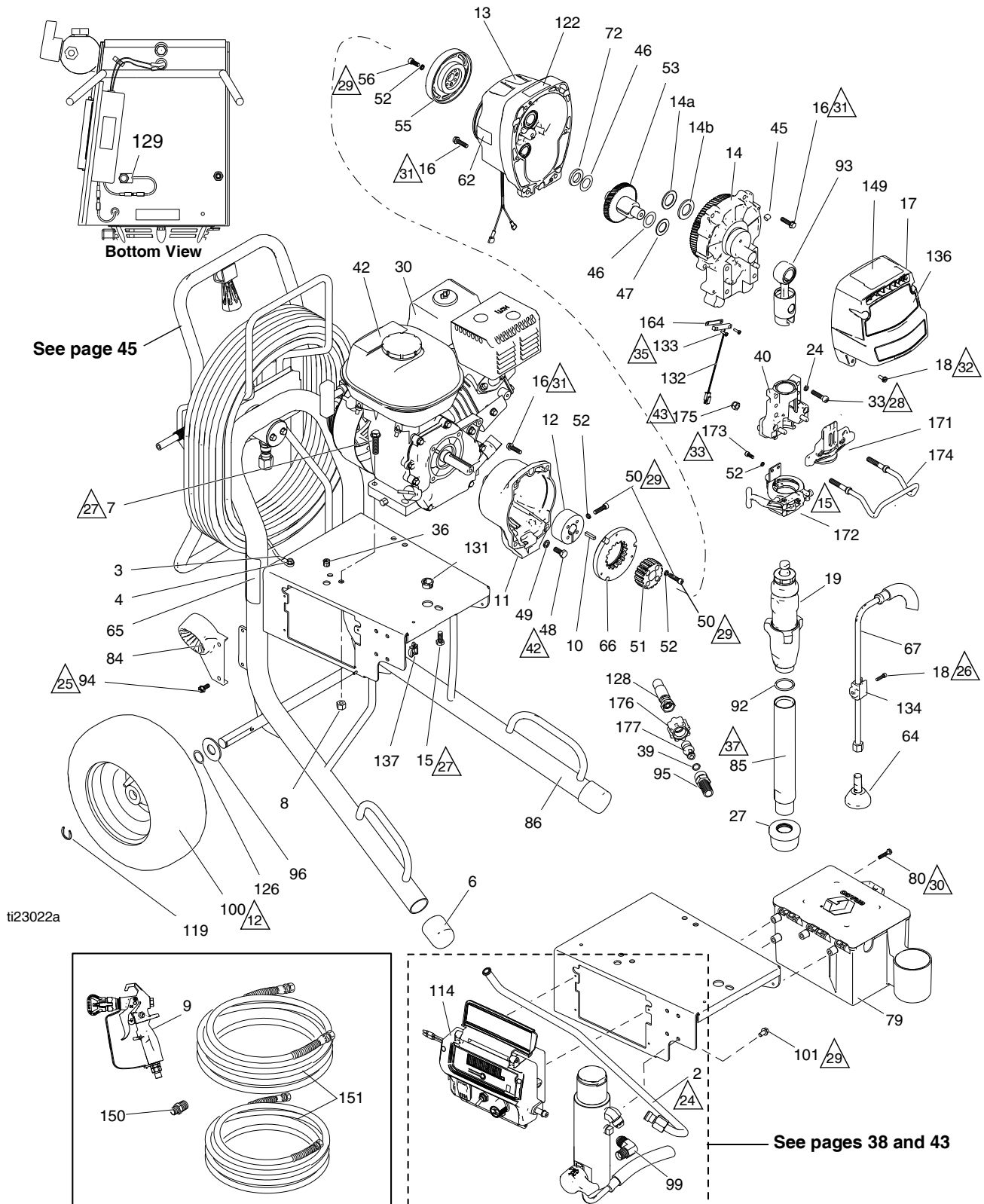
GMAX II 3900 Lo-Boy Series



Parts List - GMAX II 3900 Lo-Boy Series

| Ref. | Part | Description | Qty. | Ref. | Part | Description | Qty. | | | | | | | | | | | | | | | | | | | | | | | | | | |
|------|---|---|------|---|--------|-------------------------------------|------|------|-------------|----|--|----|---|----|---------------------------------------|----|---|----|---|----|---|----|-------------------------------------|----|--|----|-------------------------------------|----|---|----|---|----|-------------------------------------|
| 3 | 237686 | WIRE, ground assembly w/ clamp | 1 | 112 | 16Y780 | HANDLE, cart | 1 | | | | | | | | | | | | | | | | | | | | | | | | | | |
| 4 | 112798 | SCREW, thread forming, hex hd | 1 | 114 | 16X822 | BOX, control | 1 | | | | | | | | | | | | | | | | | | | | | | | | | | |
| 6 | 276974 | CAP, leg | 2 | 119 | 15E891 | CLIP, retaining | 2 | | | | | | | | | | | | | | | | | | | | | | | | | | |
| 7 | 110837 | SCREW, flange, hex | 2 | 122▲ | 290228 | LABEL, caution | 1 | | | | | | | | | | | | | | | | | | | | | | | | | | |
| 8 | 110838 | NUT, lock | 2 | 126 | 116038 | WASHER, wave spring | 2 | | | | | | | | | | | | | | | | | | | | | | | | | | |
| 10 | 183401 | KEY, parallel | 1 | 128 | 16X950 | HOSE, coupled | 1 | | | | | | | | | | | | | | | | | | | | | | | | | | |
| 11 | 15E535 | HOUSING, clutch, machine | 1 | 129 | 119579 | CONDUCTOR, ground | 1 | | | | | | | | | | | | | | | | | | | | | | | | | | |
| 12 | 193680 | COLLAR, shaft | 1 | 130 | 122533 | FITTING, 45 deg | 1 | | | | | | | | | | | | | | | | | | | | | | | | | | |
| 13 | 287463 | HOUSING, pinion, 3900 | 1 | 131 | 119569 | BUSHING, strain relief | 1 | | | | | | | | | | | | | | | | | | | | | | | | | | |
| 14 | 287467 | HOUSING, drive, 3900, <i>includes 14a, 14b</i> | 1 | 136 | 16X348 | LABEL, front, GMAX II 3900 | 1 | | | | | | | | | | | | | | | | | | | | | | | | | | |
| 14a | 116191 | WASHER, thrust | 1 | 137 | 114687 | CLIP, retainer | 1 | | | | | | | | | | | | | | | | | | | | | | | | | | |
| 14b | 107089 | WASHER, race, thrust | 1 | 149 | 16X979 | LABEL, ProConnect | 1 | | | | | | | | | | | | | | | | | | | | | | | | | | |
| 15 | 112395 | SCREW, cap, flng hd | 1 | 158 | 288420 | GUN, contractor, RAC X, packaged | 1 | | | | | | | | | | | | | | | | | | | | | | | | | | |
| 16 | 119426 | SCREW, mach, hex washer hd | 10 | 171H | 16X228 | PLATE, front, 3900, PC II | 1 | | | | | | | | | | | | | | | | | | | | | | | | | | |
| 17 | 16Y747 | COVER, front, 3900 (includes 18) | 1 | 172H | 16X322 | CLAMP, pump, small | 1 | | | | | | | | | | | | | | | | | | | | | | | | | | |
| 18H | 118444 | SCREW, mach, slot hex wash hd | 4 | 173H | 101550 | SCREW, cap, sch | 2 | | | | | | | | | | | | | | | | | | | | | | | | | | |
| 19 | 16X414 | PUMP, displacement 3900, <i>includes 85, 92, 95</i> | 1 | 174H | 16C457 | HANGER, pail | 1 | | | | | | | | | | | | | | | | | | | | | | | | | | |
| 24H | 100214 | WASHER, lock, spring | 4 | 175H | 111040 | NUT, lock, insert, nylock, 5/16 | 2 | | | | | | | | | | | | | | | | | | | | | | | | | | |
| 30 | 108879 | ENGINE, gasoline, 4.0 HP | 1 | 176 | 120583 | NUT, hand | 1 | | | | | | | | | | | | | | | | | | | | | | | | | | |
| | 25P294 | ENGINE, gasoline, 4.0 HP (China only) | 1 | 177 | 16X833 | FITTING, quick disconnect, 3/8 npsm | 1 | | | | | | | | | | | | | | | | | | | | | | | | | | |
| 33 | 113467 | SCREW, cap, socket hd | 4 | ▲ | 16Y631 | LABEL, warning | 1 | | | | | | | | | | | | | | | | | | | | | | | | | | |
| 36 | 114678 | BUSHING, strain relief | 1 | ▲ | 16Y632 | LABEL, warning | 1 | | | | | | | | | | | | | | | | | | | | | | | | | | |
| 39 | 107505 | PACKING, o-ring | 1 | ▲ | 16Y633 | LABEL, warning | 1 | | | | | | | | | | | | | | | | | | | | | | | | | | |
| 40H | | HOUSING, bearing 3900 | 1 | ▲ <i>Replacement Danger and Warning Labels, Tags and Cards are available at no cost.</i> | | | | | | | | | | | | | | | | | | | | | | | | | | | | | |
| 42▲ | 194126 | LABEL, warning | 1 | † <i>Included in Clutch Replacement Kit 241109.</i> | | | | | | | | | | | | | | | | | | | | | | | | | | | | | |
| 46 | 114699 | WASHER, thrust | 2 | H <i>Included in bearing housing kit 24V087</i> | | | | | | | | | | | | | | | | | | | | | | | | | | | | | |
| 47 | 114672 | WASHER, thrust | 1 | Part Specifications: | | | | | | | | | | | | | | | | | | | | | | | | | | | | | |
| 48 | 108842 | SCREW, cap, hex hd | 4 | <table border="1"> <thead> <tr> <th>Ref.</th> <th>Instruction</th> </tr> </thead> <tbody> <tr> <td>▲2</td> <td>Inflate tires to 28-32 psi (1.93-2.21 bar/0.193-0.221 MPa)</td> </tr> <tr> <td>▲3</td> <td>Torque clamp adjustment bolt to 90-110 in-lb (10.1-12.4 N•m) with reference 19 installed and ProConnect in locked position.</td> </tr> <tr> <td>▲7</td> <td>Torque to 17-23 ft-lb (23.0-31.1 N•m)</td> </tr> <tr> <td>▲8</td> <td>Torque to 190-210 in-lb (21.4-23.7 N•m)</td> </tr> <tr> <td>▲9</td> <td>Torque to 115-135 in-lb (12.9-15.2 N•m)</td> </tr> <tr> <td>▲1</td> <td>Torque to 130-150 in-lb (14.6-16.9 N•m)</td> </tr> <tr> <td>▲2</td> <td>Torque to 30-45 in-lb (3.3-5.0 N•m)</td> </tr> <tr> <td>▲3</td> <td>Torque to 90-110 in-lb (10.1-12.4 N•m)</td> </tr> <tr> <td>▲0</td> <td>Torque to 60-65 in-lb (6.7-7.3 N•m)</td> </tr> <tr> <td>▲2</td> <td>Torque to 170-190 in-lb (19.2-21.4 N•m)</td> </tr> <tr> <td>▲3</td> <td>Torque to 200-230 in-lb (22.5-25.9 N•m)</td> </tr> <tr> <td>▲4</td> <td>Torque to 25-35 in-lb (2.8-3.9 N•m)</td> </tr> </tbody> </table> | | | | Ref. | Instruction | ▲2 | Inflate tires to 28-32 psi (1.93-2.21 bar/0.193-0.221 MPa) | ▲3 | Torque clamp adjustment bolt to 90-110 in-lb (10.1-12.4 N•m) with reference 19 installed and ProConnect in locked position. | ▲7 | Torque to 17-23 ft-lb (23.0-31.1 N•m) | ▲8 | Torque to 190-210 in-lb (21.4-23.7 N•m) | ▲9 | Torque to 115-135 in-lb (12.9-15.2 N•m) | ▲1 | Torque to 130-150 in-lb (14.6-16.9 N•m) | ▲2 | Torque to 30-45 in-lb (3.3-5.0 N•m) | ▲3 | Torque to 90-110 in-lb (10.1-12.4 N•m) | ▲0 | Torque to 60-65 in-lb (6.7-7.3 N•m) | ▲2 | Torque to 170-190 in-lb (19.2-21.4 N•m) | ▲3 | Torque to 200-230 in-lb (22.5-25.9 N•m) | ▲4 | Torque to 25-35 in-lb (2.8-3.9 N•m) |
| Ref. | Instruction | | | | | | | | | | | | | | | | | | | | | | | | | | | | | | | | |
| ▲2 | Inflate tires to 28-32 psi (1.93-2.21 bar/0.193-0.221 MPa) | | | | | | | | | | | | | | | | | | | | | | | | | | | | | | | | |
| ▲3 | Torque clamp adjustment bolt to 90-110 in-lb (10.1-12.4 N•m) with reference 19 installed and ProConnect in locked position. | | | | | | | | | | | | | | | | | | | | | | | | | | | | | | | | |
| ▲7 | Torque to 17-23 ft-lb (23.0-31.1 N•m) | | | | | | | | | | | | | | | | | | | | | | | | | | | | | | | | |
| ▲8 | Torque to 190-210 in-lb (21.4-23.7 N•m) | | | | | | | | | | | | | | | | | | | | | | | | | | | | | | | | |
| ▲9 | Torque to 115-135 in-lb (12.9-15.2 N•m) | | | | | | | | | | | | | | | | | | | | | | | | | | | | | | | | |
| ▲1 | Torque to 130-150 in-lb (14.6-16.9 N•m) | | | | | | | | | | | | | | | | | | | | | | | | | | | | | | | | |
| ▲2 | Torque to 30-45 in-lb (3.3-5.0 N•m) | | | | | | | | | | | | | | | | | | | | | | | | | | | | | | | | |
| ▲3 | Torque to 90-110 in-lb (10.1-12.4 N•m) | | | | | | | | | | | | | | | | | | | | | | | | | | | | | | | | |
| ▲0 | Torque to 60-65 in-lb (6.7-7.3 N•m) | | | | | | | | | | | | | | | | | | | | | | | | | | | | | | | | |
| ▲2 | Torque to 170-190 in-lb (19.2-21.4 N•m) | | | | | | | | | | | | | | | | | | | | | | | | | | | | | | | | |
| ▲3 | Torque to 200-230 in-lb (22.5-25.9 N•m) | | | | | | | | | | | | | | | | | | | | | | | | | | | | | | | | |
| ▲4 | Torque to 25-35 in-lb (2.8-3.9 N•m) | | | | | | | | | | | | | | | | | | | | | | | | | | | | | | | | |
| 49 | 100214 | WASHER, lock | 4 | | | | | | | | | | | | | | | | | | | | | | | | | | | | | | |
| 50† | 108803 | SCREW, hex, socket head | 6 | | | | | | | | | | | | | | | | | | | | | | | | | | | | | | |
| 51† | | HUB, armature | 1 | | | | | | | | | | | | | | | | | | | | | | | | | | | | | | |
| 52†H | 105510 | WASHER, lock, spring (hi-collar) | 12 | | | | | | | | | | | | | | | | | | | | | | | | | | | | | | |
| 53 | 287653 | GEAR, combination 3900 | 1 | | | | | | | | | | | | | | | | | | | | | | | | | | | | | | |
| 55† | | ROTOR, clutch, 4 in. | 1 | | | | | | | | | | | | | | | | | | | | | | | | | | | | | | |
| 56† | 101682 | SCREW, cap, sch | 4 | | | | | | | | | | | | | | | | | | | | | | | | | | | | | | |
| 65▲ | 15F638 | LABEL, GMAX warning fire and skin | 1 | | | | | | | | | | | | | | | | | | | | | | | | | | | | | | |
| 66† | | ARMATURE, clutch, 4 in. | 1 | | | | | | | | | | | | | | | | | | | | | | | | | | | | | | |
| 71 | 240794 | HOSE, coupled, 1/4 in. x 50 ft | 1 | | | | | | | | | | | | | | | | | | | | | | | | | | | | | | |
| 72 | 15F250 | WASHER, thrust | 1 | | | | | | | | | | | | | | | | | | | | | | | | | | | | | | |
| 86 | 16Y519 | FRAME | 1 | | | | | | | | | | | | | | | | | | | | | | | | | | | | | | |
| 93 | 24V084 | ROD, connecting 3900 | 1 | | | | | | | | | | | | | | | | | | | | | | | | | | | | | | |
| 95 | 16Y579 | FITTING | 1 | | | | | | | | | | | | | | | | | | | | | | | | | | | | | | |
| 96 | 156306 | WASHER, flat | 2 | | | | | | | | | | | | | | | | | | | | | | | | | | | | | | |
| 100 | 119509 | WHEEL, pneumatic | 2 | | | | | | | | | | | | | | | | | | | | | | | | | | | | | | |
| 101 | 113161 | SCREW, flange, hex hd | 3 | | | | | | | | | | | | | | | | | | | | | | | | | | | | | | |
| 110 | 109032 | SCREW, mach, pnh | 4 | | | | | | | | | | | | | | | | | | | | | | | | | | | | | | |
| 111 | 100020 | WASHER, lock, 3900 only | 4 | | | | | | | | | | | | | | | | | | | | | | | | | | | | | | |

GMAX II 3900 ProContractor Series



Parts List - GMAX II 3900 ProContractor Series

| Ref. | Part | Description | Qty. | Ref. | Part | Description | Qty. |
|------|--------|---|------|------|--------|-------------------------------------|------|
| 2 | 16C384 | TUBE, 3900 | 1 | 128 | 16X904 | HOSE, coupled | 1 |
| 3 | 237686 | WIRE, ground assembly w/ clamp | 1 | 129 | 119579 | CONDUCTOR, ground | 1 |
| 4 | 112798 | SCREW, thread forming, hex hd | 1 | 131 | 119569 | BUSHING, strain relief | 1 |
| 6 | 15C871 | CAP, leg | 2 | 132 | 119562 | SWITCH, reed w/connector | 1 |
| 7 | 110837 | SCREW, flange, hex | 2 | 133 | 114528 | SCREW, mach, phillips, pnhd | 2 |
| 8 | 110838 | NUT, lock | 2 | 134 | 16X203 | CLIP, drain line | 1 |
| 9 | 288420 | GUN, contractor, RAC X, packaged | 1 | 135 | 15F354 | FUNNEL, oil (not shown) | 1 |
| 10 | 183401 | KEY, parallel | 1 | 136 | 16X348 | LABEL, front, GMAX II 3900 | 1 |
| 11 | 15E535 | HOUSING, clutch, machine | 1 | 137 | 114687 | CLIP, retainer | 1 |
| 12 | 193680 | COLLAR, shaft | 1 | 149 | 16X981 | LABEL, Proconnect | 1 |
| 13 | 287463 | HOUSING, pinion, 3900 | 1 | 150 | 162453 | NIPPLE, 1/4 npsm x 1/4 npt | 1 |
| 14 | 287467 | HOUSING, drive, 3900, <i>includes 14a, 14b</i> | 1 | 151 | 240794 | HOSE, coupled, 1/4 in x 50 ft | 2 |
| 14a | 116191 | WASHER, thrust | 1 | 164 | 15F947 | SHIELD, magnetic | 1 |
| 14b | 107089 | WASHER, race, thrust | 1 | 171H | 16X228 | PLATE, front, 3900, PC II | 1 |
| 15 | 112395 | SCREW, cap, flng hd | 1 | 172H | 16X322 | CLAMP, pump, small | 1 |
| 16 | 119426 | SCREW, mach, hex washer hd | 10 | 173H | 101550 | SCREW, cap, sch | 2 |
| 17 | 16Y747 | COVER, front, 3900, <i>includes 18</i> | 1 | 174H | 16C457 | HANGER, pail | 1 |
| 18H | 118444 | SCREW, mach, slot hex wash hd | 5 | 175H | 111040 | NUT, lock, insert, nylock, 5/16 | 2 |
| 19 | 16X414 | PUMP, displacement 3900, <i>includes 85, 92, 95</i> | 1 | 176 | 120583 | NUT, hand | 1 |
| 24H | 100214 | WASHER, lock, spring | 4 | 177 | 16X833 | FITTING, quick disconnect, 3/8 npsm | 1 |
| 27 | 189920 | STRAINER, (1-11 1/2 NPSM) | 1 | ▲ | 16Y631 | LABEL, warning | 1 |
| 30 | 108879 | ENGINE, gasoline, 4.0 HP | 1 | ▲ | 16Y632 | LABEL, warning | 1 |
| 33 | 113467 | SCREW, cap, socket hd | 4 | ▲ | 16Y633 | LABEL, warning | 1 |
| 36 | 114678 | BUSHING, strain relief | 1 | | | | |
| 39 | 107505 | PACKING, o-ring | 1 | | | | |
| 40H | | HOUSING, bearing 3900 | 1 | | | | |
| 42▲ | 194126 | LABEL, warning | 1 | | | | |
| 45 | 116618 | MAGNET | 1 | | | | |
| 46 | 114699 | WASHER, thrust | 2 | | | | |
| 47 | 114672 | WASHER, thrust | 1 | | | | |
| 48 | 108842 | SCREW, cap, hex hd | 4 | | | | |
| 49 | 100214 | WASHER, lock | 4 | | | | |
| 50† | 108803 | SCREW, hex, socket head | 6 | | | | |
| 51† | | HUB, armature | 1 | | | | |
| 52†H | 105510 | WASHER, lock, spring (hi-collar) | 12 | | | | |
| 53 | 287653 | GEAR, combination 3900 | 1 | | | | |
| 55† | | ROTOR, clutch, 4 in. | 1 | | | | |
| 56† | 101682 | SCREW, cap, sch | 4 | | | | |
| 62 | | LABEL, USA made with Honda | 1 | | | | |
| 64 | 241920 | DEFLECTOR, threaded | 1 | | | | |
| 65▲ | 15F638 | LABEL, GMAX warning fire and skin | 1 | | | | |
| 66† | | ARMATURE, clutch, 4 in. | 1 | | | | |
| 67 | 244240 | HOSE, coupled, <i>includes 64</i> | 1 | | | | |
| 72 | 15F250 | WASHER, thrust | 1 | | | | |
| 79 | 287253 | TOOL BOX, <i>includes 94</i> | 1 | | | | |
| 80 | 118852 | SCREW, thd forming, hex washer hd | 3 | | | | |
| 85 | 15E807 | TUBE, intake | 1 | | | | |
| 84 | 278083 | GUIDE, hose, | 1 | | | | |
| 86 | 24D045 | FRAME, hose reel | 1 | | | | |
| 92 | 118494 | PACKING, o-ring | 1 | | | | |
| 93 | 24V084 | ROD, connecting 3900 | 1 | | | | |
| 94 | 117633 | SCREW, slot hex wash hd | 2 | | | | |
| 95 | 16Y579 | FITTING | 1 | | | | |
| 96 | 156306 | WASHER, flat | 2 | | | | |
| 99 | 125926 | FITTING, 90 deg | 1 | | | | |
| 100 | 119420 | WHEEL, pneumatic | 2 | | | | |
| 101 | 113161 | SCREW, flange, hex hd | 3 | | | | |
| 114 | 16X821 | BOX, control | 1 | | | | |
| 119 | 15E891 | CLIP, retaining | 2 | | | | |
| 122▲ | 290228 | LABEL, caution | 1 | | | | |
| 126 | 116038 | WASHER, wave spring | 2 | | | | |

▲ Replacement Danger and Warning Labels, Tags and Cards are available at no cost.

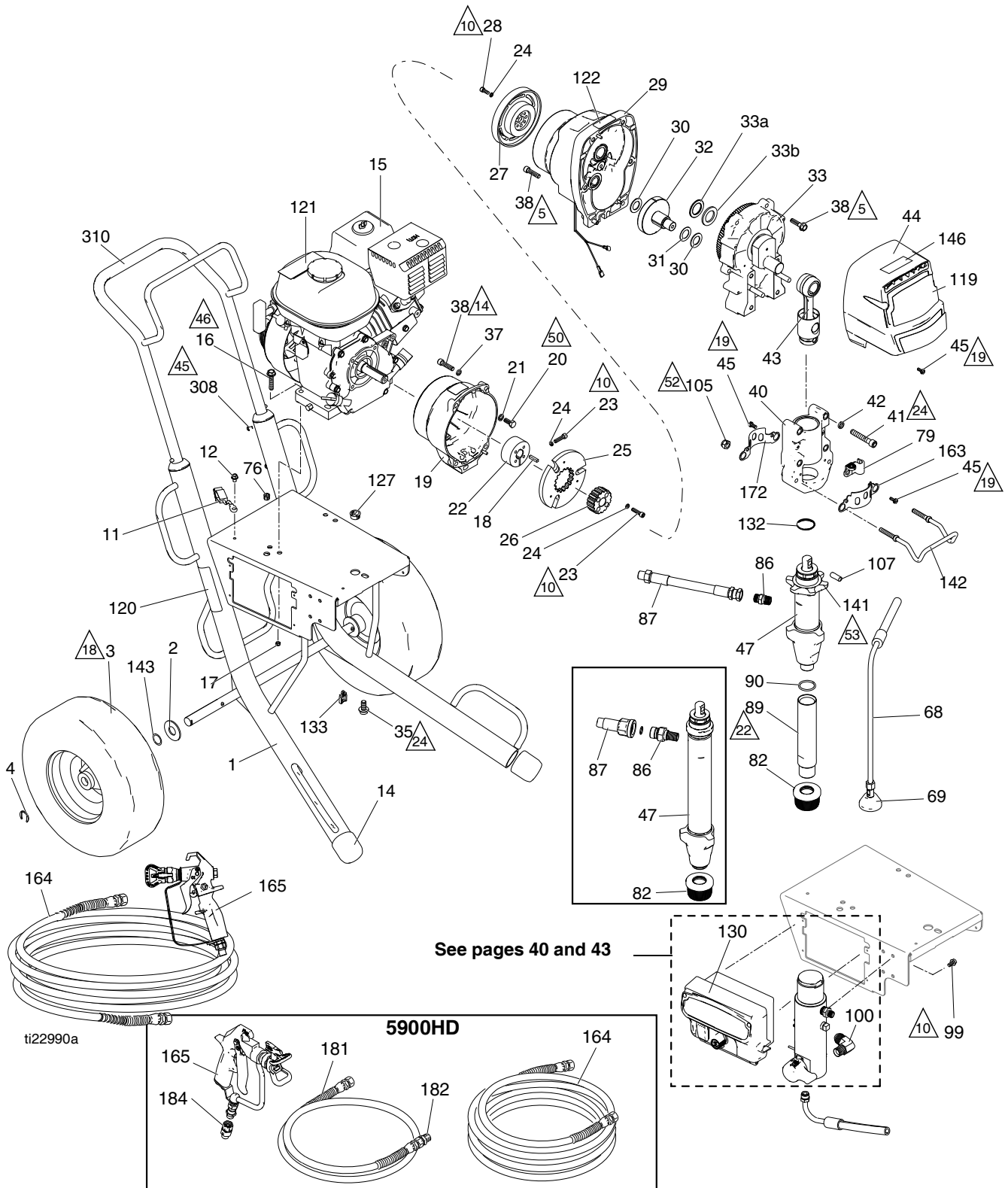
† Included in Clutch Replacement Kit 241109.

H Included in bearing housing kit 24V087

Part Specifications:

| Ref. | Instruction |
|------|---|
| ▲2 | Inflate tires to 28-32 psi (1.93-2.21 bar/0.193-0.221 MPa) |
| ▲15 | Torque clamp adjustment bolt to 90-110 in-lb (10.1-12.4 N•m) with reference 19 installed and ProConnect in locked position. |
| ▲24 | Torque to 38-42 ft-lb (51.5-56.9 N•m) |
| ▲25 | Torque to 120-130 in-lb (13.5-14.6 N•m) |
| ▲26 | Torque to 40-45 in-lb (4.5-5.0 N•m) |
| ▲27 | Torque to 17-23 ft-lb (23.0-31.1 N•m) |
| ▲28 | Torque to 190-210 in-lb (21.4-23.7 N•m) |
| ▲29 | Torque to 115-135 in-lb (12.9-15.2 N•m) |
| ▲30 | Torque to 30-40 in-lb (3.3-4.5 N•m) |
| ▲31 | Torque to 130-150 in-lb (14.6-16.9 N•m) |
| ▲32 | Torque to 30-45 in-lb (3.3-5.0 N•m) |
| ▲33 | Torque to 90-110 in-lb (10.2-12.4 N•m) |
| ▲35 | Torque to 8-12 in-lb (0.9-1.35 N•m) |
| ▲37 | Torque to 70-90 in-lb (7.9-10.1 N•m) |
| ▲42 | Torque to 170-190 in-lb (19.2-21.4 N•m) |
| ▲43 | Torque to 200-230 in-lb (22.5-25.9 N•m) |

GMAX II 5900/5900HD Standard Series



Parts List - GMAX II 5900/5900HD Standard Series

| Ref. | Part | Description | Qty. | Ref. | Part | Description | Qty. | |
|------|--------|--|------|------|--------|--|--------------------------|---|
| 1 | 287370 | FRAME, standard, cart | 1 | | 16X349 | 5900 | 1 | |
| 2 | 156306 | WASHER, flat | 2 | | 16X352 | 5900HD | 1 | |
| 3 | 119509 | WHEEL, pneumatic | 2 | 120▲ | 15F638 | LABEL, GMAX warning fire & skin | 1 | |
| 4 | 15E891 | CLIP, retaining | 2 | 121▲ | 194126 | LABEL, warning | 1 | |
| 11 | 237686 | WIRE, ground assembly w/ clamp | 1 | 122▲ | 290228 | LABEL, caution | 1 | |
| 12 | 112798 | SCREW, thread forming, hex hd | 1 | 127 | 119569 | BUSHING, strain relief | 1 | |
| 14 | 276974 | CAP, leg | 2 | 130 | 16X822 | BOX, control | 1 | |
| 15 | 116080 | ENGINE, gas, 6.5 HP, Honda | 1 | 132 | 119778 | SPRING, retaining | 1 | |
| | 25P296 | ENGINE, gas, 6.5HP (China only) | 1 | 133 | 114687 | CLIP, retainer | 1 | |
| 16 | 110837 | SCREW, flange, hex | 2 | 141 | 193031 | NUT, retaining | 1 | |
| 17 | 110838 | NUT, lock | 2 | 142H | 16C457 | HANGER, pail | 1 | |
| 18 | 183401 | KEY, parallel | 1 | 143 | 116038 | WASHER, wave spring | 2 | |
| 19 | 15E277 | HOUSING, clutch, mach 5900/7900 | 1 | 146 | 16X983 | LABEL, standard series | 1 | |
| 20 | 108842 | SCREW, cap, hex hd | 4 | 155 | 15F354 | FUNNEL, oil (not shown) | 1 | |
| 21 | 100214 | WASHER, lock | 4 | 160 | 102982 | PACKING, o-ring, 5900HD | 1 | |
| 22 | 193680 | COLLAR, shaft | 1 | 163H | 16X770 | SHIELD, pump rod | 1 | |
| 23† | 108803 | SCREW, hex, socket head | 6 | 164 | 240794 | HOSE, coupled, 1/4 in. x 50 ft, 5900 | 1 | |
| 24† | 105510 | WASHER, lock, spring (hi-collar) | 10 | | 240797 | HOSE, coupled, 3/8 in. x 50ft, 5900HD | 1 | |
| 25† | | ARMATURE, clutch, 5 in. | 1 | 165 | 288420 | GUN, contractor, RAC X, packaged, 5900 | 1 | |
| 26† | | HUB, armature | 1 | | 241705 | GUN, spray, texture, 5900HD | 1 | |
| 27† | | ROTOR, clutch, 5 in. | 1 | 172 | 15C762 | SHIELD, pump rod | 1 | |
| 28† | 101682 | SCREW, cap, sch | 4 | 181 | 241735 | HOSE, cpld, 1/4 in. x 3 ft, 5900HD | 1 | |
| 29 | 287465 | HOUSING, pinion, 5900 | 1 | 182 | 159841 | BUSHING, 7250 psi, 3/8 in. x 1/4 in., 5900HD | 1 | |
| 30 | 114672 | WASHER, thrust | 2 | | 184 | 189018 | SWIVEL, assembly, 5900HD | 1 |
| 31 | 114699 | WASHER, thrust | 1 | 308 | 108795 | SCREW, mach, pnh | 4 | |
| 32 | 287460 | GEAR, combination, 5900 | 1 | 310 | 24A250 | HANDLE, cart (standard only) | 1 | |
| 33 | 287469 | HOUSING, drive, 5900, <i>includes 33a, 33b</i> | 1 | ▲ | 16Y631 | LABEL, warning | 1 | |
| 33a | 116192 | WASHER, thrust | 1 | ▲ | 16Y632 | LABEL, warning | 1 | |
| 33b | 194173 | WASHER | 1 | ▲ | 16Y633 | LABEL, warning | 1 | |
| 35 | 112395 | SCREW, cap, flng hd | 1 | | | | | |
| 37 | 104008 | WASHER, lock, spring | 4 | | | | | |
| 38 | 15C753 | SCREW, mach, hex wash hd | 6 | | | | | |
| 40H | | HOUSING, bearing, 5900 | 1 | | | | | |
| 41H | 114666 | SCREW, cap, socket head | 4 | | | | | |
| 42H | 106115 | WASHER, lock (hi-collar) | 4 | | | | | |
| 43 | 24V021 | ROD, connecting, 5900 | 1 | | | | | |
| 44 | 16Y748 | COVER, front, 5900, <i>includes 45</i> | 1 | | | | | |
| 45 | 118444 | SCREW, mach, slot hex wash hd | 8 | | | | | |
| 47 | | PUMP, displacement | 1 | | | | | |
| | 16Y706 | 5900, <i>includes 86, 89, 90</i> | 1 | | | | | |
| | 16X429 | 5900HD, <i>includes 86</i> | 1 | | | | | |
| 68 | 244240 | HOSE, coupled, <i>includes 69</i> | 1 | | | | | |
| 69 | 241920 | DEFLECTOR, threaded | 1 | | | | | |
| 76 | 114678 | BUSHING, strain relief | 1 | | | | | |
| 79H | 278204 | CLIP, drain line | 1 | | | | | |
| 82 | 189920 | STRAINER, (1-11 1/2 NPSM) | 1 | | | | | |
| 86 | | FITTING | 1 | | | | | |
| | 196178 | 5900 | 1 | | | | | |
| | 16X834 | 5900HD | 1 | | | | | |
| 87 | | HOSE, coupled | 1 | | | | | |
| | 16X909 | 5900 | 1 | | | | | |
| | 16X905 | 5900HD | 1 | | | | | |
| 89 | 248215 | TUBE, intake | 1 | | | | | |
| 90 | 118494 | PACKING, o-ring | 1 | | | | | |
| 99 | 113161 | SCREW, flange, hex hd | 3 | | | | | |
| 100 | 125926 | FITTING, 90 deg (5900HD) | 1 | | | | | |
| 105H | 111040 | NUT, lock, insert, nylock, 5/16 | 2 | | | | | |
| 107 | 15F856 | PIN, pump, 5900 | 1 | | | | | |
| 119 | | LABEL, front, GMAX II 5900 | 1 | | | | | |

▲ Replacement Danger and Warning Labels, Tags and Cards are available at no cost.

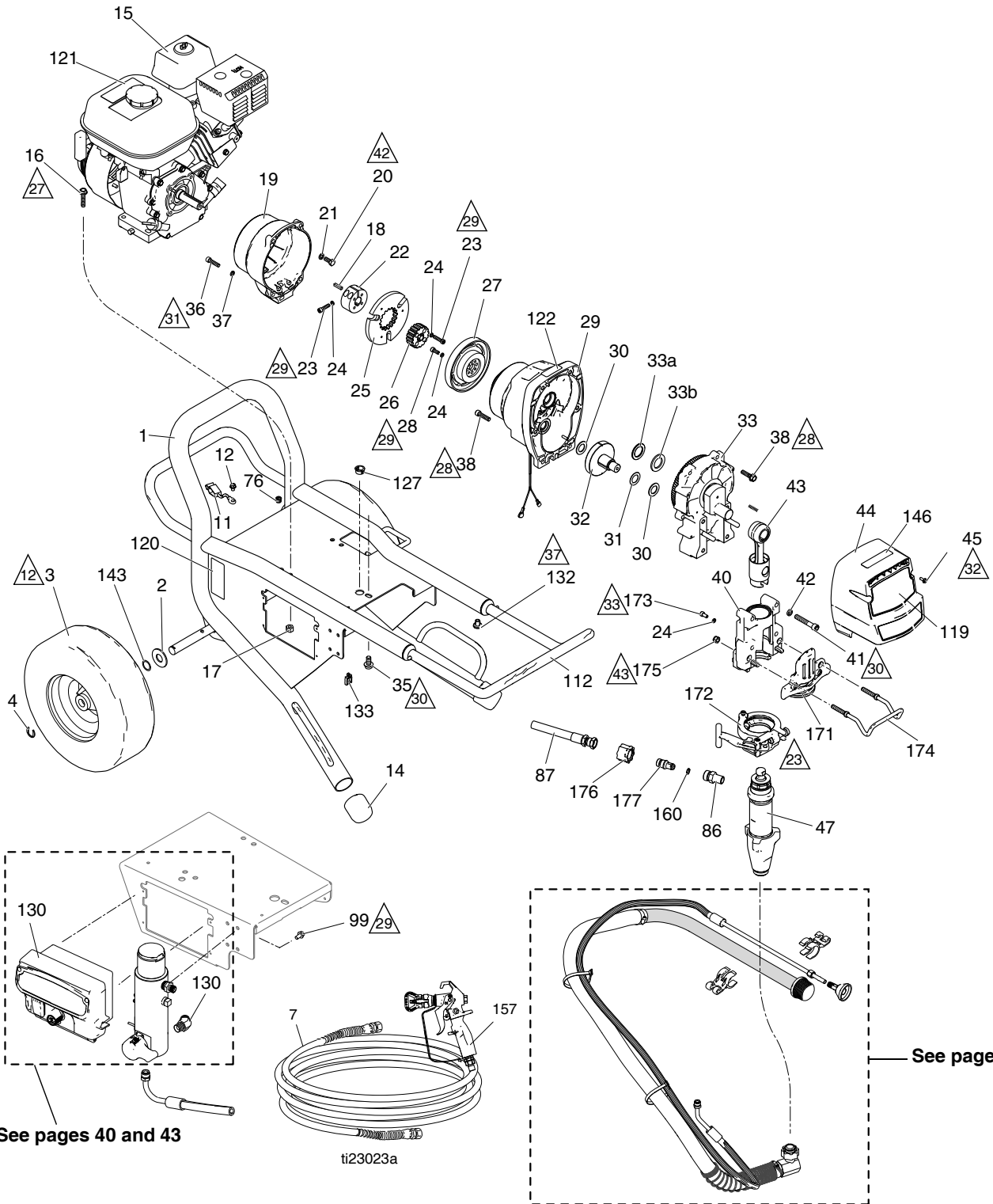
† Included in Clutch Replacement Kit 241113.

H Included in bearing housing kit 24V027

Part Specifications:

| Ref. | Instruction |
|------|--|
| ▲5 | Torque to 190-210 in-lb (21.5-23.7 N•m) |
| ▲10 | Torque to 115-135 in-lb (12.9-15.3 N•m) |
| ▲14 | Torque to 130-150 in-lb (14.7-16.9 N•m) |
| ▲18 | Inflate tires to 28-32 psi (1.93-2.21 bar/0.193-0.221 MPa) |
| ▲19 | Torque to 30-35 in-lb (3.4-3.9 N•m) |
| ▲22 | Torque to 70-90 in-lb (7.9-10.2 N•m) |
| ▲24 | Torque to 23-29 ft-lb (31.2-39.3 N•m) |
| ▲25 | Torque to 25-35 in-lb (2.8-3.9 N•m) |
| ▲26 | Torque to 17-23 ft-lb (23.1-31.2 N•m) |
| ▲30 | Torque to 170-190 in-lb (19.2-21.5 N•m) |
| ▲32 | Torque to 200-230 in-lb (22.6-25.9 N•m) |
| ▲33 | Torque to 75 +/- 5 ft-lb (101.7 +/- 6.8 N•m) |

GMAX II 5900 Lo-Boy Series



Parts List - GMAX II 5900 Lo-Boy Series

| Ref. | Part | Description | Qty. | Ref. | Part | Description | Qty. |
|------|--------|--|------|------|--------|--|------|
| 1 | 16Y519 | FRAME, cart | 1 | 120▲ | 15F638 | LABEL, GMAX warning fire & skin | 1 |
| 2 | 156306 | WASHER, flat | 2 | 121▲ | 194126 | LABEL, warning | 1 |
| 3 | 119509 | WHEEL, pneumatic | 2 | 122▲ | 290228 | LABEL, caution | 1 |
| 4 | 15E891 | CLIP, retaining | 2 | 127 | 119569 | BUSHING, strain relief | 1 |
| 7 | 240794 | HOSE, coupled, 1/4 in. x 50 ft | 1 | 130 | 16X822 | BOX, control | 1 |
| 11 | 237686 | WIRE, ground assembly w/ clamp | 1 | 132 | 109032 | SCREW, mach, pnh | 4 |
| 12 | 112798 | SCREW, thread forming, hex hd | 1 | 133 | 114687 | CLIP, retainer | 1 |
| 14 | 276974 | CAP, leg | 2 | 143 | 116038 | WASHER, wave spring | 2 |
| 15 | 116080 | ENGINE, gas, 6.5 HP, Honda | 1 | 146 | 16X979 | LABEL, Proconnect | 1 |
| | 25P296 | ENGINE, gas, 6.5HP (China only) | 1 | 157 | 288420 | GUN, contractor, RAC X, packaged | 1 |
| 16 | 110837 | SCREW, flange, hex | 2 | 160 | 107505 | PACKING, o-ring | 1 |
| 17 | 110838 | NUT, lock | 2 | 171H | 16X385 | PLATE, front, ProConnect II, 5900 Lo-Boy | 1 |
| 18 | 183401 | KEY, parallel | 1 | 172H | 16X324 | CLAMP, pump, large, 5900 Lo-Boy | 1 |
| 19 | 15E277 | HOUSING, clutch, mach 5900/7900 | 1 | 173H | 101550 | SCREW, cap, sch, 5900 Lo-Boy | 2 |
| 20 | 108842 | SCREW, cap, hex hd | 4 | 174H | 16C457 | HANGER, pail, 5900 Lo-Boy | 1 |
| 21 | 100214 | WASHER, lock | 4 | 175H | 111040 | NUT, lock, insert, nylock, 5/16 5900 Lo-Boy | 2 |
| 22 | 193680 | COLLAR, shaft | 1 | 176 | 120583 | NUT, hand, 5900 Lo-Boy | 1 |
| 23† | 108803 | SCREW, hex, socket head | 6 | 177 | 16X833 | FITTING, quick disconnect, 3/8 npsm, 5900 Lo-Boy | 1 |
| 24† | 105510 | WASHER, lock, spring (hi-collar) | 12 | ▲ | 16Y631 | LABEL, warning | 1 |
| 25† | | ARMATURE, clutch, 5 in. | 1 | ▲ | 16Y632 | LABEL, warning | 1 |
| 26† | | HUB, armature | 1 | ▲ | 16Y633 | LABEL, warning | 1 |
| 27† | | ROTOR, clutch, 5 in. | 1 | | | | |
| 28† | 101682 | SCREW, cap, sch | 4 | | | | |
| 29 | 287465 | HOUSING, pinion, 5900 | 1 | | | | |
| 30 | 114672 | WASHER, thrust | 2 | | | | |
| 31 | 114699 | WASHER, thrust | 1 | | | | |
| 32 | 287460 | GEAR, combination, 5900 | 1 | | | | |
| 33 | 287469 | HOUSING, drive, 5900, <i>includes 33a, 33b</i> | 1 | | | | |
| 33a | 116192 | WASHER, thrust | 1 | | | | |
| 33b | 194173 | WASHER | 1 | | | | |
| 35 | 112395 | SCREW, cap, flng hd | 1 | | | | |
| 36 | 102962 | SCREW, cap sch | 4 | | | | |
| 37 | 104008 | WASHER, lock, spring | 4 | | | | |
| 38 | 15C753 | SCREW, mach, hex wash hd | 6 | | | | |
| 40H | | HOUSING, bearing, 5900 | 1 | | | | |
| 41H | 114666 | SCREW, cap, socket head | 4 | | | | |
| 42H | 106115 | WASHER, lock (hi-collar) | 4 | | | | |
| 43 | 24V085 | ROD, connecting, 5900 | 1 | | | | |
| 44 | 16Y748 | COVER, front, 5900, <i>includes 45</i> | 1 | | | | |
| 45H | 118444 | SCREW, mach, slot hex wash hd | 4 | | | | |
| 47 | 16X419 | PUMP, displacement, 5900, <i>includes 86</i> | 1 | | | | |
| 76 | 114678 | BUSHING, strain relief | 1 | | | | |
| 86 | 15J413 | FITTING | 1 | | | | |
| 87 | 16X950 | HOSE, coupled | 1 | | | | |
| 88 | 122533 | FITTING, 45 deg | 1 | | | | |
| 99 | 113161 | SCREW, flange, hex hd | 3 | | | | |
| 112 | 16Y780 | HANDLE, cart | 1 | | | | |
| 119 | 16X349 | LABEL, front, GMAX II 5900 | 1 | | | | |

▲ Replacement Danger and Warning Labels, Tags and Cards are available at no cost.

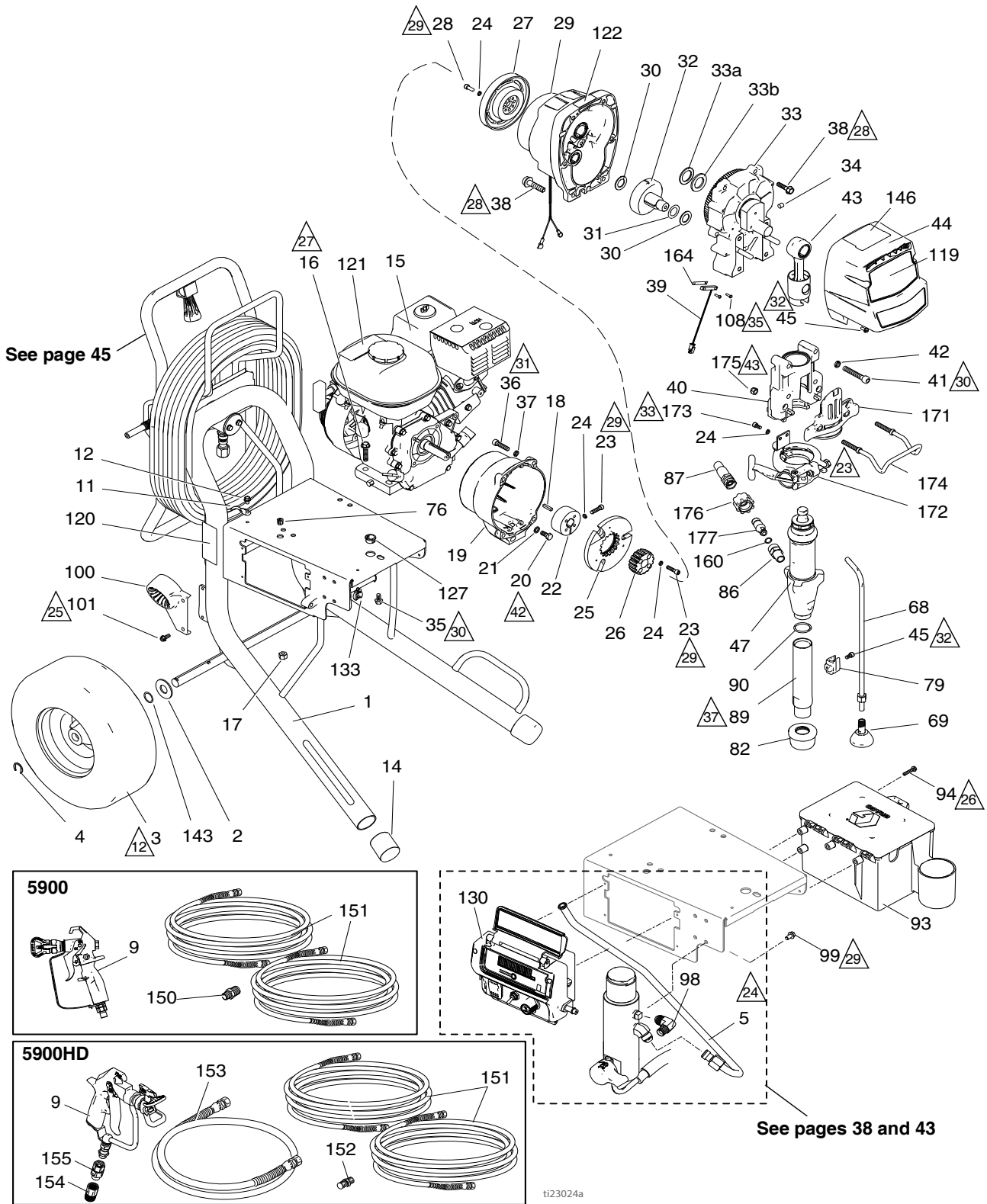
† Included in Clutch Replacement Kit 241113.

HIncluded in bearing housing kit 24V088

Part Specifications:

| Ref. | Instruction |
|-----------------|--|
| ▲ ₁₂ | Inflate tires to 28-32 psi (1.93-2.21 bar/0.193-0.221 MPa) |
| ▲ ₂₃ | Torque clamp adjustment bolt to 140-160 in-lb (15.8-18.1 N•m) with reference 47 installed and ProConnect in locked position. |
| ▲ ₂₇ | Torque to 17-23 ft-lb (23.1-31.2 N•m) |
| ▲ ₂₈ | Torque to 190-210 in-lb (21.5-23.7 N•m) |
| ▲ ₂₉ | Torque to 115-135 in-lb (12.9-15.3 N•m) |
| ▲ ₃₀ | Torque to 23-29 ft-lb (31.2-39.3 N•m) |
| ▲ ₃₁ | Torque to 130-150 in-lb (14.7-16.9 N•m) |
| ▲ ₃₂ | Torque to 30-45 in-lb (3.9-5.1 N•m) |
| ▲ ₃₃ | Torque to 90-110 in-lb (10.2-12.4 N•m) |
| ▲ ₃₇ | Torque to 25-35 in-lb (2.8-3.9 N•m) |
| ▲ ₄₂ | Torque to 170-190 in-lb (19.2-21.5 N•m) |
| ▲ ₄₃ | Torque to 200-230 in-lb (22.6-25.9 N•m) |

GMAX II 5900/5900HD ProContractor Series



Parts List - GMAX II 5900/5900HD ProContractor Series

| Ref. | Part | Description | Qty. | Ref. | Part | Description | Qty. |
|------|--------|--|------|--------|--------|---|------|
| 1 | 24D047 | FRAME, hose reel, cart | 1 | 119 | | LABEL, front, GMAX II, 5900 | |
| 2 | 156306 | WASHER, flat | 2 | 16X349 | 5900 | | 1 |
| 3 | 119509 | WHEEL, pneumatic | 2 | 16X352 | 5900HD | | 1 |
| 4 | 15E891 | CLIP, retaining | 2 | 120▲ | 15F638 | LABEL, GMAX warning fire & skin | 1 |
| 5 | 16C381 | TUBE, GMAX 5900/7900 | 1 | 121▲ | 194126 | LABEL, warning | 1 |
| 9 | 288420 | GUN, contractor, RAC X, packaged, 5900 | 1 | 122▲ | 290228 | LABEL, caution | 1 |
| | 241705 | GUN, spray, texture, 5900HD | 1 | 127 | 119569 | BUSHING, strain relief | 1 |
| 11 | 237686 | WIRE, ground assembly w/ clamp | 1 | 130 | 16X821 | BOX, control | 1 |
| 12 | 112798 | SCREW, thread forming, hex hd | 1 | 133 | 114687 | CLIP, retainer | 1 |
| 14 | 276974 | CAP, leg | 2 | 134 | 15F354 | FUNNEL, oil (not shown) | 1 |
| 15 | 114530 | ENGINE, gas, 5.5 HP, Honda | 1 | 143 | 116038 | WASHER, wave spring | 2 |
| 16 | 110837 | SCREW, flange, hex | 2 | 146 | 16X981 | LABEL, Proconnect | 1 |
| 17 | 110838 | NUT, lock | 2 | 150 | 162453 | NIPPLE, 1/4 npsm x 1/4 npt, 5900 | 1 |
| 18 | 183401 | KEY, parallel | 1 | 151 | 240794 | HOSE, coupled, 1/4 in. x 50 ft 5900 | 2 |
| 19 | 15E277 | HOUSING, clutch, mach, 5900/7900 | 1 | | 240797 | HOSE, coupled, 3/8 in. x 50 ft, 5900HD | 2 |
| 20 | 108842 | SCREW, cap, hex hd | 4 | 152 | 162485 | ADAPTER, nipple, 5900HD | 1 |
| 21 | 100214 | WASHER, lock | 4 | 153 | 241735 | HOSE, cpld, 1/4 in. x 3 ft, 5900HD | 1 |
| 22 | 193680 | COLLAR, shaft | 1 | 154 | 159841 | BUSHING, 7250 psi, 3/8 x 1/4 in. 5900HD | 1 |
| 23† | 108803 | SCREW, hex, socket head | 6 | | | | |
| 24†H | 105510 | WASHER, lock, spring (hi-collar) | 12 | 155 | 189018 | SWIVEL, assembly, 5900HD | 1 |
| 25† | | ARMATURE, clutch, 5 in. | 1 | 160 | | PACKING, o-ring | 1 |
| 26† | | HUB, armature | 1 | | 107505 | 5900 | |
| 27† | | ROTOR, clutch, 5 in. | 1 | | 102982 | 5900HD | |
| 28† | 101682 | SCREW, cap, sch | 4 | 164 | 15F947 | SHIELD, magnetic | 1 |
| 29 | 287465 | HOUSING, pinion, 5900 | 1 | 171H | 16X385 | PLATE, front, 5900, PC II | 1 |
| 30 | 114672 | WASHER, thrust | 2 | 172H | 16X324 | CLAMP, pump, large | 1 |
| 31 | 114699 | WASHER, thrust | 1 | 173H | 101550 | SCREW, cap, sch | 2 |
| 32 | 287460 | GEAR, combination, 5900 | 1 | 174H | 16C457 | HANGER, pail | 1 |
| 33 | 287469 | HOUSING, drive, 5900, <i>includes 33a, 33b</i> | 1 | 175H | 111040 | NUT, lock, insert, nylock, 5/16 | 2 |
| 33a | 116192 | WASHER, thrust | 1 | 176 | 120583 | NUT, hand | 1 |
| 33b | 194173 | WASHER | 1 | 177 | 16X833 | FITTING, quick disconnect, 3/8 npsm | 1 |
| 34 | 116618 | MAGNET | 1 | ▲ | 16Y631 | LABEL, warning | 1 |
| 35 | 112395 | SCREW, cap, flng hd | 1 | ▲ | 16Y632 | LABEL, warning | 1 |
| 36 | 102962 | SCREW, cap sch | 4 | ▲ | 16Y633 | LABEL, warning | 1 |
| 37 | 104008 | WASHER, lock, spring | 4 | | | | |
| 38 | 15C753 | SCREW, mach, hex wash hd | 6 | | | | |
| 39 | 119562 | SWITCH, reed w/connector | 1 | | | | |
| 40H | | HOUSING, bearing, 5900 | 1 | | | | |
| 41H | 114666 | SCREW, cap, socket head | 4 | | | | |
| 42H | 106115 | WASHER, lock (hi-collar) | 4 | | | | |
| 43 | 24V085 | ROD, connecting, 5900 | 1 | | | | |
| 44 | 16Y748 | COVER, front, 5900, <i>includes 45</i> | 1 | | | | |
| 45H | 118444 | SCREW, mach, slot hex wash hd | 5 | | | | |
| 47 | | PUMP, displacement | | | | | |
| | 16X419 | 5900 (includes 86, 89, 90) | 1 | | | | |
| | 16X421 | 5900HD, <i>includes 86</i> | 1 | | | | |
| 68 | 244240 | HOSE, coupled, <i>includes 69</i> | 1 | | | | |
| 69 | 241920 | DEFLECTOR, threaded | 1 | | | | |
| 76 | 114678 | BUSHING, strain relief | 1 | | | | |
| 79H | 16X203 | CLIP, drain line | 1 | | | | |
| 82 | 189920 | STRAINER, (1-11 1/2 NPSM) | 1 | | | | |
| 86 | | FITTING, pump, QD | 1 | | | | |
| | 16Y579 | 5900 | | | | | |
| | 16X834 | 5900HD | | | | | |
| 87 | | HOSE, coupled | 1 | | | | |
| | 16X904 | 3/8 in., 5900 | | | | | |
| | 16X905 | 1/2 in., 5900HD | | | | | |
| 89 | 248215 | TUBE, intake | 1 | | | | |
| 90 | 118494 | PACKING, o-ring | 1 | | | | |
| 93 | 287253 | TOOL BOX, <i>includes 94</i> | 1 | | | | |
| 94 | 118852 | SCREW, thd forming, hex washer hd | 3 | | | | |
| 98 | 125926 | FITTING, 90 deg | 1 | | | | |
| 99 | 113161 | SCREW, flange, hex hd | 3 | | | | |
| 100 | 278083 | GUIDE, hose | 1 | | | | |
| 101 | 117633 | SCREW, slot hex wash hd | 2 | | | | |
| 108 | 114528 | SCREW, mach, phillips, pnhd | 2 | | | | |



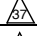

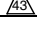
▲ Replacement Danger and Warning Labels, Tags and Cards are available at no cost.

† Included in Clutch Replacement Kit 241113.

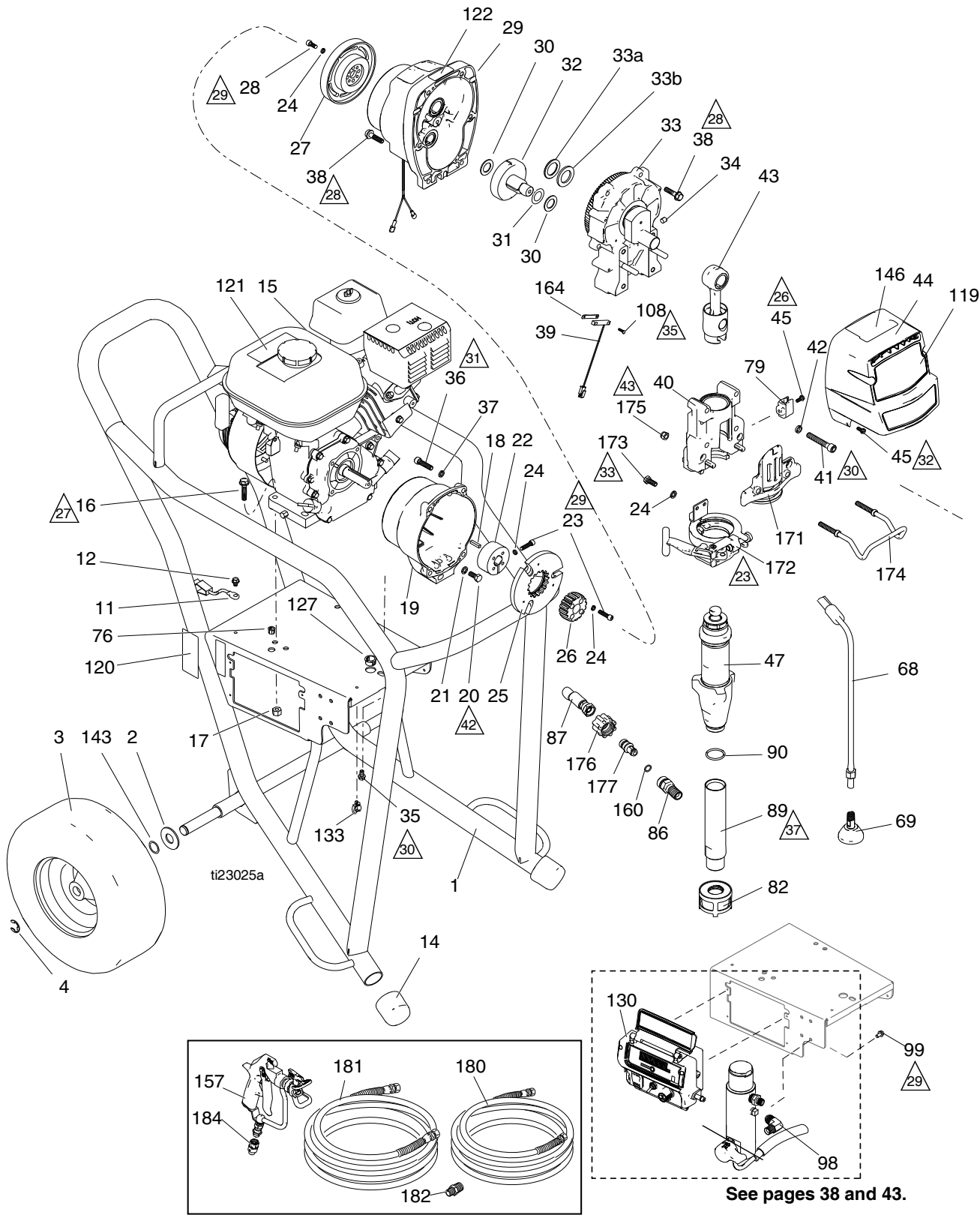
H Included in bearing housing kit 24V088

Part Specifications:

| Ref. | Instruction |
|------|--|
| ▲2 | Inflate tires to 28-32 psi (1.93-2.21 bar/0.193-0.221 MPa) |
| ▲3 | Torque clamp adjustment bolt to 140-160 in-lb (15.8-18.1 N•m) with reference 47 installed and ProConnect in locked position. |
| ▲4 | Torque to 38-42 ft-lb (51.5-56.9 N•m) |
| ▲5 | Torque to 120-130 in-lb (13.6-14.7 N•m) |
| ▲6 | Torque to 40-45 in-lb (4.5-5.1 N•m) |
| ▲7 | Torque to 17-23 ft-lb (23.1-31.2 N•m) |
| ▲8 | Torque to 190-210 in-lb (21.5-23.7 N•m) |
| ▲9 | Torque to 115-135 in-lb (12.9-15.3 N•m) |
| ▲0 | Torque to 23-29 ft-lb (31.2-39.3 N•m) |
| ▲1 | Torque to 130-150 in-lb (14.7-15.9 N•m) |
| ▲2 | Torque to 30-45 in-lb (3.4-5.1 N•m) |

| Ref. | Instruction |
|---|---|
|  | Torque to 90-110 in-lb (10.2-12.4 N•m) |
|  | Torque to 8-12 in-lb (0.9-1.4 N•m) |
|  | Torque to 70-90 in-lb (7.9-10.2 N•m) |
|  | Torque to 170-190 in-lb (19.2-21.2 N•m) |
|  | Torque to 200-230 in-lb (22.6-25.9 N•m) |

GMAX II 5900 IronMan Series



Parts List - GMAX II 5900 IronMan Series

| Ref. | Part | Description | Qty. | Ref. | Part | Description | Qty. | | | | | | | | | | | | | | | | | | | | | | | | | | | | |
|------|--|--|------|---|--------|--------------------------------------|------|------|-------------|----|--|----|-------------------------------------|----|---------------------------------------|----|---|----|---|----|---------------------------------------|----|---|----|-------------------------------------|----|--|----|------------------------------------|----|--------------------------------------|----|---|----|---|
| 1 | 16X778 | FRAME, cart | 1 | 120▲ | 15F638 | LABEL, GMAX warning fire & skin | 1 | | | | | | | | | | | | | | | | | | | | | | | | | | | | |
| 2 | 156306 | WASHER, flat | 2 | 121▲ | 194126 | LABEL, warning | 1 | | | | | | | | | | | | | | | | | | | | | | | | | | | | |
| 3 | 122267 | WHEEL, pneumatic | 2 | 122▲ | 290228 | LABEL, caution | 1 | | | | | | | | | | | | | | | | | | | | | | | | | | | | |
| 4 | 120211 | CLIP, retaining | 2 | 127 | 119569 | BUSHING, strain relief | 1 | | | | | | | | | | | | | | | | | | | | | | | | | | | | |
| 11 | 237686 | WIRE, ground assembly w/ clamp | 1 | 130 | 16X821 | BOX, control | 1 | | | | | | | | | | | | | | | | | | | | | | | | | | | | |
| 12 | 112798 | SCREW, thread forming, hex hd | 1 | 133 | 114687 | CLIP, retainer | 1 | | | | | | | | | | | | | | | | | | | | | | | | | | | | |
| 14 | 15C871 | CAP, leg | 2 | 134 | 15F354 | FUNNEL, oil (not shown) | 1 | | | | | | | | | | | | | | | | | | | | | | | | | | | | |
| 15 | 114530 | ENGINE, gas, 5.5 HP, Honda | 1 | 143 | 116038 | WASHER, wave spring | 2 | | | | | | | | | | | | | | | | | | | | | | | | | | | | |
| 16 | 110837 | SCREW, flange, hex | 2 | 146 | 16X982 | LABEL, ProConnect | 1 | | | | | | | | | | | | | | | | | | | | | | | | | | | | |
| 17 | 110838 | NUT, lock | 2 | 157 | 24A139 | GUN, silver, RAC X, packaged | 1 | | | | | | | | | | | | | | | | | | | | | | | | | | | | |
| 18 | 183401 | KEY, parallel | 1 | 160 | 107505 | PACKING, o-ring | 1 | | | | | | | | | | | | | | | | | | | | | | | | | | | | |
| 19 | 15E277 | HOUSING, clutch, mach, 5900/7900 | 1 | 164 | 15F947 | SHIELD, magnetic | 1 | | | | | | | | | | | | | | | | | | | | | | | | | | | | |
| 20 | 108842 | SCREW, cap, hex hd | 4 | 171H | 16X385 | PLATE, front, 5900, PC II | 1 | | | | | | | | | | | | | | | | | | | | | | | | | | | | |
| 21 | 100214 | WASHER, lock | 4 | 172H | 16X324 | CLAMP, pump, large | 1 | | | | | | | | | | | | | | | | | | | | | | | | | | | | |
| 22 | 193680 | COLLAR, shaft | 1 | 173H | 101550 | SCREW, cap, sch | 2 | | | | | | | | | | | | | | | | | | | | | | | | | | | | |
| 23† | 108803 | SCREW, hex, socket head | 6 | 174H | 16C457 | HANGER, pail | 1 | | | | | | | | | | | | | | | | | | | | | | | | | | | | |
| 24† | 105510 | WASHER, lock, spring (hi-collar) | 12 | 175H | 111040 | NUT, lock, insert, nylock, 5/16 | 2 | | | | | | | | | | | | | | | | | | | | | | | | | | | | |
| 25† | | ARMATURE, clutch, 5 in. | 1 | 176 | 120583 | NUT, hand | 1 | | | | | | | | | | | | | | | | | | | | | | | | | | | | |
| 26† | | HUB, armature | 1 | 177 | 16X833 | FITTING, quick, disconnect, 3/8 npsm | 1 | | | | | | | | | | | | | | | | | | | | | | | | | | | | |
| 27† | | ROTOR, clutch, 5 in. | 1 | 180 | 240797 | HOSE, coupled, 3/8 in. x 50 ft | 1 | | | | | | | | | | | | | | | | | | | | | | | | | | | | |
| 28† | 101682 | SCREW, cap, sch | 4 | 181 | 240794 | HOSE, coupled, 1/4 in. x 50 ft | 1 | | | | | | | | | | | | | | | | | | | | | | | | | | | | |
| 29 | 287465 | HOUSING, pinion, 5900 | 1 | 182 | 164672 | ADAPTER | 1 | | | | | | | | | | | | | | | | | | | | | | | | | | | | |
| 30 | 114672 | WASHER, thrust | 2 | 184 | 189018 | SWIVEL, assembly | 1 | | | | | | | | | | | | | | | | | | | | | | | | | | | | |
| 31 | 114699 | WASHER, thrust | 1 | ▲ | 16Y631 | LABEL, warning | 1 | | | | | | | | | | | | | | | | | | | | | | | | | | | | |
| 32 | 287460 | GEAR, combination, 5900 | 1 | ▲ | 16Y632 | LABEL, warning | 1 | | | | | | | | | | | | | | | | | | | | | | | | | | | | |
| 33 | 287469 | HOUSING, drive, 5900, <i>includes 33a, 33b</i> | 1 | ▲ | 16Y633 | LABEL, warning | 1 | | | | | | | | | | | | | | | | | | | | | | | | | | | | |
| 33a | 116192 | WASHER, thrust | 1 | ▲ <i>Replacement Danger and Warning Labels, Tags and Cards are available at no cost.</i> | | | | | | | | | | | | | | | | | | | | | | | | | | | | | | | |
| 33b | 194173 | WASHER | 1 | † <i>Included in Clutch Replacement Kit 241113.</i> | | | | | | | | | | | | | | | | | | | | | | | | | | | | | | | |
| 34 | 116618 | MAGNET | 1 | H <i>Included in bearing housing kit 24V088</i> | | | | | | | | | | | | | | | | | | | | | | | | | | | | | | | |
| 35 | 112395 | SCREW, cap, flng hd | 1 | Part Specifications: | | | | | | | | | | | | | | | | | | | | | | | | | | | | | | | |
| 36 | 102962 | SCREW, cap sch | 4 | <table border="1"> <thead> <tr> <th>Ref.</th> <th>Instruction</th> </tr> </thead> <tbody> <tr> <td>23</td> <td>Torque clamp adjustment bolt to 140-160 in-lb (15.8-18.1 N•m) with reference 47 installed and ProConnect in locked position.</td> </tr> <tr> <td>26</td> <td>Torque to 40-45 in-lb (4.5-5.1 N•m)</td> </tr> <tr> <td>27</td> <td>Torque to 17-23 ft-lb (23.1-31.2 N•m)</td> </tr> <tr> <td>28</td> <td>Torque to 190-210 in-lb (21.5-23.7 N•m)</td> </tr> <tr> <td>29</td> <td>Torque to 115-135 in-lb (12.9-15.3 N•m)</td> </tr> <tr> <td>30</td> <td>Torque to 23-29 ft-lb (31.2-39.4 N•m)</td> </tr> <tr> <td>31</td> <td>Torque to 130-150 in-lb (14.7-16.9 N•m)</td> </tr> <tr> <td>32</td> <td>Torque to 30-45 in-lb (3.4-5.1 N•m)</td> </tr> <tr> <td>33</td> <td>Torque to 90-110 in-lb (10.2-12.4 N•m)</td> </tr> <tr> <td>35</td> <td>Torque to 8-12 in-lb (0.9-1.4 N•m)</td> </tr> <tr> <td>37</td> <td>Torque to 70-90 in-lb (7.9-10.2 N•m)</td> </tr> <tr> <td>42</td> <td>Torque to 170-190 in-lb (19.2-21.5 N•m)</td> </tr> <tr> <td>43</td> <td>Torque to 200-230 in-lb (22.6-25.9 N•m)</td> </tr> </tbody> </table> | | | | Ref. | Instruction | 23 | Torque clamp adjustment bolt to 140-160 in-lb (15.8-18.1 N•m) with reference 47 installed and ProConnect in locked position. | 26 | Torque to 40-45 in-lb (4.5-5.1 N•m) | 27 | Torque to 17-23 ft-lb (23.1-31.2 N•m) | 28 | Torque to 190-210 in-lb (21.5-23.7 N•m) | 29 | Torque to 115-135 in-lb (12.9-15.3 N•m) | 30 | Torque to 23-29 ft-lb (31.2-39.4 N•m) | 31 | Torque to 130-150 in-lb (14.7-16.9 N•m) | 32 | Torque to 30-45 in-lb (3.4-5.1 N•m) | 33 | Torque to 90-110 in-lb (10.2-12.4 N•m) | 35 | Torque to 8-12 in-lb (0.9-1.4 N•m) | 37 | Torque to 70-90 in-lb (7.9-10.2 N•m) | 42 | Torque to 170-190 in-lb (19.2-21.5 N•m) | 43 | Torque to 200-230 in-lb (22.6-25.9 N•m) |
| Ref. | Instruction | | | | | | | | | | | | | | | | | | | | | | | | | | | | | | | | | | |
| 23 | Torque clamp adjustment bolt to 140-160 in-lb (15.8-18.1 N•m) with reference 47 installed and ProConnect in locked position. | | | | | | | | | | | | | | | | | | | | | | | | | | | | | | | | | | |
| 26 | Torque to 40-45 in-lb (4.5-5.1 N•m) | | | | | | | | | | | | | | | | | | | | | | | | | | | | | | | | | | |
| 27 | Torque to 17-23 ft-lb (23.1-31.2 N•m) | | | | | | | | | | | | | | | | | | | | | | | | | | | | | | | | | | |
| 28 | Torque to 190-210 in-lb (21.5-23.7 N•m) | | | | | | | | | | | | | | | | | | | | | | | | | | | | | | | | | | |
| 29 | Torque to 115-135 in-lb (12.9-15.3 N•m) | | | | | | | | | | | | | | | | | | | | | | | | | | | | | | | | | | |
| 30 | Torque to 23-29 ft-lb (31.2-39.4 N•m) | | | | | | | | | | | | | | | | | | | | | | | | | | | | | | | | | | |
| 31 | Torque to 130-150 in-lb (14.7-16.9 N•m) | | | | | | | | | | | | | | | | | | | | | | | | | | | | | | | | | | |
| 32 | Torque to 30-45 in-lb (3.4-5.1 N•m) | | | | | | | | | | | | | | | | | | | | | | | | | | | | | | | | | | |
| 33 | Torque to 90-110 in-lb (10.2-12.4 N•m) | | | | | | | | | | | | | | | | | | | | | | | | | | | | | | | | | | |
| 35 | Torque to 8-12 in-lb (0.9-1.4 N•m) | | | | | | | | | | | | | | | | | | | | | | | | | | | | | | | | | | |
| 37 | Torque to 70-90 in-lb (7.9-10.2 N•m) | | | | | | | | | | | | | | | | | | | | | | | | | | | | | | | | | | |
| 42 | Torque to 170-190 in-lb (19.2-21.5 N•m) | | | | | | | | | | | | | | | | | | | | | | | | | | | | | | | | | | |
| 43 | Torque to 200-230 in-lb (22.6-25.9 N•m) | | | | | | | | | | | | | | | | | | | | | | | | | | | | | | | | | | |
| 37 | 104008 | WASHER, lock, spring | 4 | | | | | | | | | | | | | | | | | | | | | | | | | | | | | | | | |
| 38 | 15C753 | SCREW, mach, hex wash hd | 6 | | | | | | | | | | | | | | | | | | | | | | | | | | | | | | | | |
| 39 | 119562 | SWITCH, reed w/connector | 1 | | | | | | | | | | | | | | | | | | | | | | | | | | | | | | | | |
| 40H | | HOUSING, bearing, 5900 | 1 | | | | | | | | | | | | | | | | | | | | | | | | | | | | | | | | |
| 41H | 114666 | SCREW, cap, socket head | 4 | | | | | | | | | | | | | | | | | | | | | | | | | | | | | | | | |
| 42 | 106115 | WASHER, lock (hi-collar) | 4 | | | | | | | | | | | | | | | | | | | | | | | | | | | | | | | | |
| 43 | 24V085 | ROD, connecting, 5900 | 1 | | | | | | | | | | | | | | | | | | | | | | | | | | | | | | | | |
| 44 | 16Y748 | COVER, front, 5900, <i>includes 45</i> | 1 | | | | | | | | | | | | | | | | | | | | | | | | | | | | | | | | |
| 45H | 118444 | SCREW, mach, slot hex wash hd | 5 | | | | | | | | | | | | | | | | | | | | | | | | | | | | | | | | |
| 47 | 16X420 | PUMP, displacement, 5900, <i>includes 86, 89, 90</i> | 1 | | | | | | | | | | | | | | | | | | | | | | | | | | | | | | | | |
| 68 | 244240 | HOSE, coupled, <i>includes 69</i> | 1 | | | | | | | | | | | | | | | | | | | | | | | | | | | | | | | | |
| 69 | 241920 | DEFLECTOR, threaded | 1 | | | | | | | | | | | | | | | | | | | | | | | | | | | | | | | | |
| 76 | 114678 | BUSHING, strain relief | 1 | | | | | | | | | | | | | | | | | | | | | | | | | | | | | | | | |
| 79H | 16X203 | CLIP, drain line | 1 | | | | | | | | | | | | | | | | | | | | | | | | | | | | | | | | |
| 82 | 15V573 | STRAINER, (1-11 1/2 NPSM) | 1 | | | | | | | | | | | | | | | | | | | | | | | | | | | | | | | | |
| 86 | 16Y579 | FITTING | 1 | | | | | | | | | | | | | | | | | | | | | | | | | | | | | | | | |
| 87 | 16X904 | HOSE, coupled | 1 | | | | | | | | | | | | | | | | | | | | | | | | | | | | | | | | |
| 89 | 248215 | TUBE, intake | 1 | | | | | | | | | | | | | | | | | | | | | | | | | | | | | | | | |
| 90 | 118494 | PACKING, o-ring | 1 | | | | | | | | | | | | | | | | | | | | | | | | | | | | | | | | |
| 98 | 125926 | FITTING, 90 deg | 1 | | | | | | | | | | | | | | | | | | | | | | | | | | | | | | | | |
| 99 | 113161 | SCREW, flange, hex hd | 3 | | | | | | | | | | | | | | | | | | | | | | | | | | | | | | | | |
| 108 | 114528 | SCREW, mach, phillips, pnhd | 2 | | | | | | | | | | | | | | | | | | | | | | | | | | | | | | | | |
| 119 | 16X349 | LABEL, front, GMAX II, 5900 | 1 | | | | | | | | | | | | | | | | | | | | | | | | | | | | | | | | |

Parts List - GMAX II 5900 Convertible Series

| Ref. | Part | Description | Qty. | Ref. | Part | Description | Qty. |
|------|--------|--|------|------|--------|----------------------------------|------|
| 1 | 287423 | FRAME, cart | 1 | 133 | 114808 | CAP, vinyl | 1 |
| 2 | 156306 | WASHER, flat | 2 | 134 | 198772 | COLLAR, torsion bar | 2 |
| 3 | 119509 | WHEEL, pneumatic | 2 | 142 | 119584 | CORD, power, convertible | 1 |
| 4 | 15E891 | CLIP, retaining | 2 | 145 | 100078 | SCREW, thd forming, hex hd | 4 |
| 8 | 108795 | SCREW, mach, pnh | 4 | 146 | 198996 | BRACKET, belt guide | 1 |
| 9 | 121727 | SCREW, cap, hex hd | 1 | 147 | 193547 | BELT, Vee, 30 | 1 |
| 10 | 24A250 | HANDLE, cart | 1 | 148 | 198691 | GUARD, belt | 1 |
| 11 | 237686 | WIRE, ground assembly w/ clamp | 1 | 150H | 278204 | CLIP, drain line | 1 |
| 12 | 112798 | SCREW, thread forming, hex hd | 1 | 151 | 116038 | WASHER, wave spring | 2 |
| 14 | 276974 | CAP, leg | 2 | 155 | 15F354 | FUNNEL, oil (not shown) | 1 |
| 19 | 287519 | HOUSING, clutch | 1 | 169 | 16X822 | BOX, control | 1 |
| 24* | 105510 | WASHER, lock, spring (hi-collar) | 4 | 172 | 15C762 | SHIELD, pump rod | 1 |
| 27* | | ROTOR, clutch, 5 in. | 1 | 173 | 119569 | BUSHING, strain relief | 1 |
| 28* | 101682 | SCREW, cap, sch | 4 | 174 | 119778 | SPRING, retaining | 1 |
| 29 | 287465 | HOUSING, pinion, 5900 | 1 | 182▲ | 15F638 | LABEL, warning | 1 |
| 30 | 114672 | WASHER, thrust | 2 | 185 | 16X983 | LABEL | 1 |
| 31 | 114699 | WASHER, thrust | 1 | 187H | 16X770 | SHIELD, pump rod | 1 |
| 32 | 287460 | GEAR, combination | 1 | 188H | 16C457 | HANGER, pail | 1 |
| 33 | 287700 | HOUSING, drive, convert | 1 | 189 | 193031 | NUT, retaining | 1 |
| 35 | 112395 | SCREW, cap, flng hd | 3 | 190 | 114687 | CLIP, retainer | 1 |
| 36 | 102962 | SCREW, cap sch | 4 | 198 | 288420 | GUN, contractor, RAC X, packaged | 1 |
| 37 | 104008 | WASHER, lock, spring | 4 | ▲ | 16Y631 | LABEL, warning | 1 |
| 38 | 15C753 | SCREW, mach, torx, hex wash hd | 6 | ▲ | 16Y632 | LABEL, warning | 1 |
| 40H | | HOUSING, bearing | 1 | ▲ | 16Y633 | LABEL, warning | 1 |
| 41H | 114666 | SCREW, cap, socket hd | 4 | | | | |
| 42H | 106115 | WASHER, lock spring (hi-collar) | 4 | | | | |
| 43 | 24V021 | ROD, connecting | 1 | | | | |
| 44 | 16Y748 | COVER, front; <i>includes 45</i> | 1 | | | | |
| 45H | 118444 | SCREW, machine hex washer head | 8 | | | | |
| 47 | 16Y706 | PUMP, displacement, <i>includes 86, 89, 90</i> | 1 | | | | |
| 52H | 111040 | NUT, lock, insert, nylock, 5/16 | 2 | | | | |
| 61 | 112717 | WASHER | 1 | | | | |
| 62 | 198688 | PULLEY, engine | 1 | | | | |
| 63 | 114425 | BUSHING, strain relief | 1 | | | | |
| 68 | 244240 | HOSE, coupled, <i>includes 69</i> | 1 | | | | |
| 69 | 241920 | DEFLECTOR, threaded | 1 | | | | |
| 78 | 240794 | HOSE, coupled, 1/4 in. x 50 ft | 1 | | | | |
| 82 | 189920 | STRAINER, (1-11 1/2 npsm) | 1 | | | | |
| 86 | 196178 | FITTING, pump | 1 | | | | |
| 87 | 16Y667 | HOSE, coupled | 1 | | | | |
| 88 | 15F856 | PIN, pump | 1 | | | | |
| 89† | 248215 | TUBE, intake | 1 | | | | |
| 90† | 118494 | O-RING | 1 | | | | |
| 91 | 122533 | FITTING, 45 deg | 1 | | | | |
| 98 | 113161 | SCREW, flange, hex hd | 3 | | | | |
| 114 | 16X358 | LABEL, brand | 1 | | | | |
| 117▲ | 290228 | LABEL, caution | 1 | | | | |
| 118▲ | 804495 | LABEL, warning | 1 | | | | |
| 119 | 195098 | LABEL, instruction (English) | 1 | | | | |
| 132 | 245688 | BAR, torsion, <i>includes 133, 134</i> | 1 | | | | |

▲ Replacement Danger and Warning labels, tags, and cards are available at no cost.

* Included in Clutch Repair Kit 241113

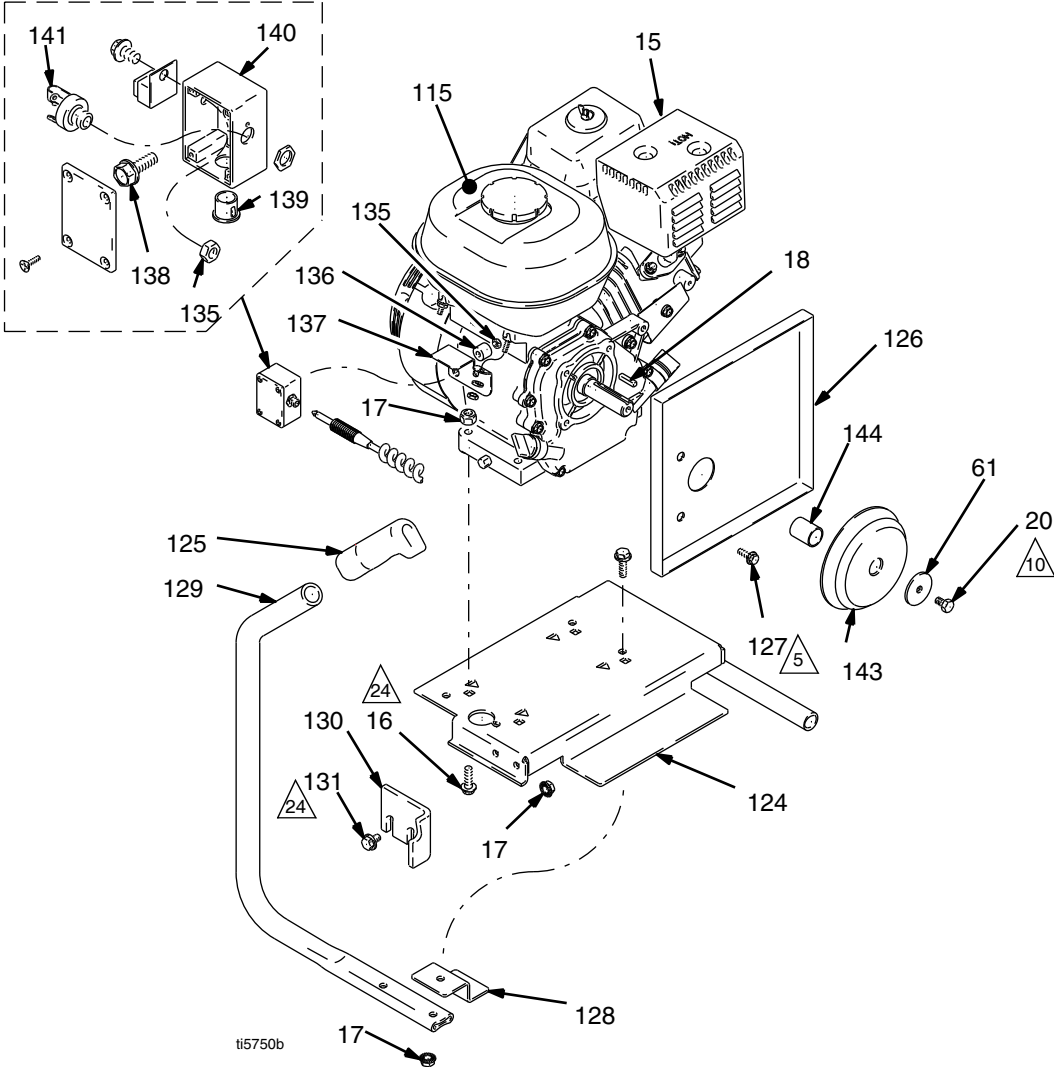
H Included in bearing housing kit 24V027

Part Specifications:

| Ref. | Instruction |
|------|--|
| 5 | Torque to 190-210 in-lb (21.5-23.7 N•m) |
| 6 | Torque to 30-35 in-lb (3.4-3.9 N•m) |
| 10 | Torque to 115-135 in-lb (12.9-15.3 N•m) |
| 14 | Torque to 130-150 in-lb (14.7-16.9 N•m) |
| 18 | Inflate tires to 28-32 psi (1.93-2.21 bar/0.193-0.221 MPa) |
| 20 | Torque to 10-15 in-lb (1.1-1.7 N•m) |
| 21 | Torque to 20-30 ft-lb (27.1-40.1 N•m) |
| 35 | Torque to 25-35 in-lb (2.8-3.9 N•m) |
| 41 | Torque to 200-230 in-lb (22.5-25.9 N•m) |
| 43 | Torque to 75 +/- 5 ft-lb (101.6 +/- 6.7 N•m) |
| 44 | Torque to 70-90 in-lb (7.9-10.1 N•m) |

GMAX II 5900 Convertible Series

Engine Detail



GMAX II 5900 Convertible Series

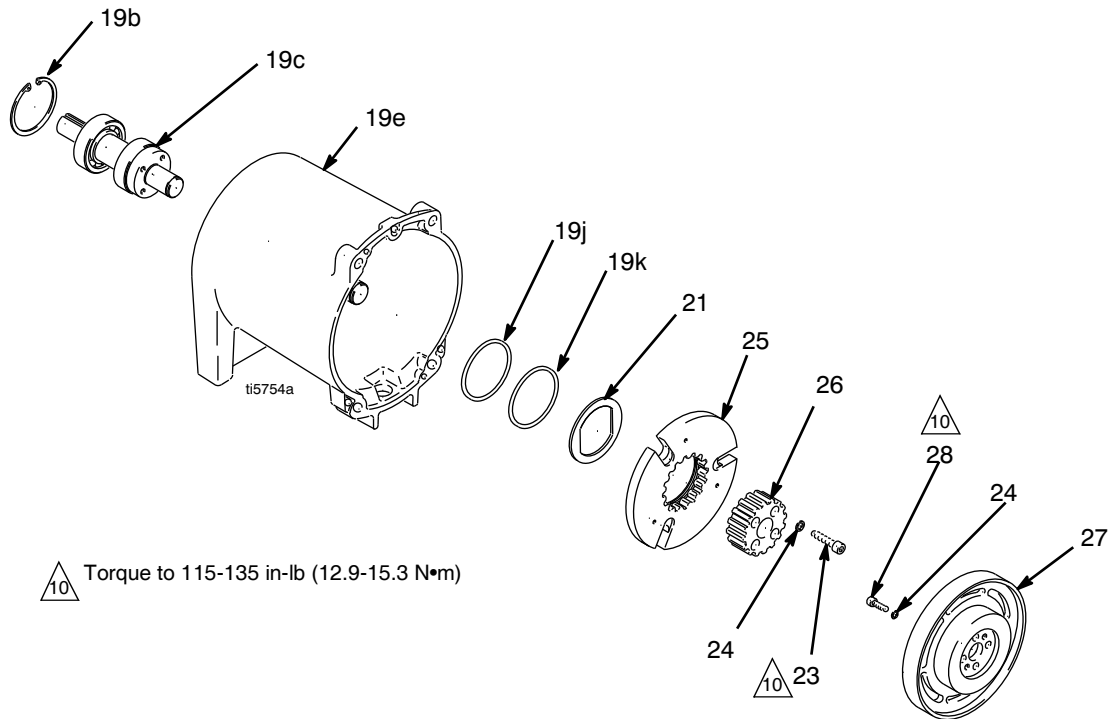
Engine Detail - Parts List

| Ref. | Part | Description | Qty. | Ref. | Part | Description | Qty. | | | | | | | | |
|------|---|-----------------------------|------|---|--------|----------------------------|------|------|-------------|--|---|--|---|--|---------------------------------------|
| 15 | 114530 | ENGINE, gas, 5.5 Honda | 1 | 136 | 116149 | SPACER | 1 | | | | | | | | |
| 16 | 114653 | SCREW, cap, flange hd | 4 | 137 | 194414 | BRACKET, J-box | 1 | | | | | | | | |
| 17 | 110996 | NUT, flng hd, hex | 6 | 138 | 114813 | SCREW, mach, hex washer hd | 1 | | | | | | | | |
| 18 | 183401 | KEY, parallel | 1 | 139 | 114678 | BUSHING, snap | 1 | | | | | | | | |
| 20 | 119717 | SCREW, cap, hex hd | 1 | 140 | 194181 | BOX, junction, engine | 1 | | | | | | | | |
| 61 | 112717 | WASHER | 1 | 141 | 114805 | JACK, 1/4 engine | 1 | | | | | | | | |
| 115 | 194126 | LABEL, warning | 1 | 143 | 15E896 | PULLEY, engine | 1 | | | | | | | | |
| 124 | 245272 | BASE, mounting | 1 | 144 | 15B314 | SLEEVE, motor shaft | 1 | | | | | | | | |
| 125 | 116139 | GRIP, handle | 2 | Part Specifications: | | | | | | | | | | | |
| 126 | 198689 | BRACKET, belt guard (motor) | 1 | <table border="1"> <thead> <tr> <th>Ref.</th> <th>Instruction</th> </tr> </thead> <tbody> <tr> <td></td> <td>Torque to 190-210 in-lb (21.5-23.7 N•m)</td> </tr> <tr> <td></td> <td>Torque to 115-135 in-lb (12.9-15.3 N•m)</td> </tr> <tr> <td></td> <td>Torque to 17-23 ft-lb (23.0-31.1 N•m)</td> </tr> </tbody> </table> | | | | Ref. | Instruction | | Torque to 190-210 in-lb (21.5-23.7 N•m) | | Torque to 115-135 in-lb (12.9-15.3 N•m) | | Torque to 17-23 ft-lb (23.0-31.1 N•m) |
| Ref. | Instruction | | | | | | | | | | | | | | |
| | Torque to 190-210 in-lb (21.5-23.7 N•m) | | | | | | | | | | | | | | |
| | Torque to 115-135 in-lb (12.9-15.3 N•m) | | | | | | | | | | | | | | |
| | Torque to 17-23 ft-lb (23.0-31.1 N•m) | | | | | | | | | | | | | | |
| 127 | 112406 | SCREW | 3 | | | | | | | | | | | | |
| 128 | 198997 | BRACKET, tension | 1 | | | | | | | | | | | | |
| 129 | 198693 | HANDLE, slide, engine | 2 | | | | | | | | | | | | |
| 130 | 198695 | BRACKET, torsion bar | 1 | | | | | | | | | | | | |
| 131 | 110963 | SCREW, cap, hex hd, flange | 2 | | | | | | | | | | | | |
| 135 | 114816 | NUT, hex | 1 | | | | | | | | | | | | |

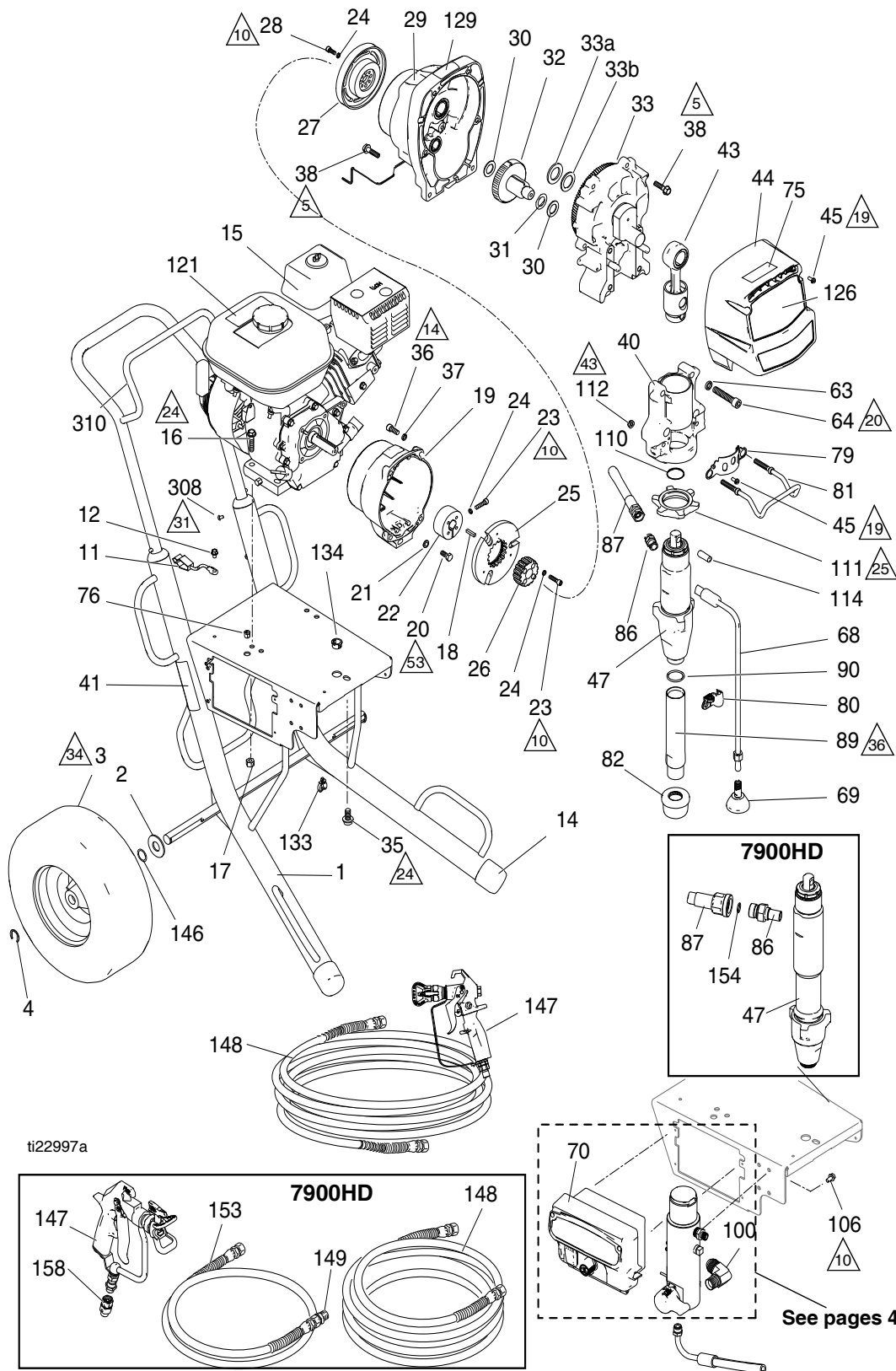
GMAX II 5900 Convertible Series

Clutch Housing - Parts Drawing and List

| Ref | Part | Description | Qty | Ref | Part | Description | Qty |
|-----|---------|--|-----|--|---------|----------------------------------|-----|
| 19 | 287519 | HOUSING, clutch, <i>includes 19b, 19c, 19e, 19j & 19k</i> | 1 | 24 | 105510* | WASHER, lock, spring (hi-collar) | 8 |
| 19b | 114962 | RING, retaining, internal | 1 | 25 | * | ARMATURE, clutch, 5 in. | 1 |
| 19c | 287422 | SHAFT, drive, input | 1 | 26 | | HUB, armature | 1 |
| 19e | 15E887 | HOUSING, clutch | 1 | 27 | * | ROTOR, clutch, 5 in. | 1 |
| 19j | 115078 | O-RING | 1 | 28 | 101682* | SCREW, cap, sch | 4 |
| 19k | 115079 | O-RING | 1 | * Included in Clutch Repair Kit 241113 | | | |
| 21 | 15E894 | STOP, armature | 1 | | | | |
| 23 | 108803* | SCREW, hex, socket head | 4 | | | | |



GMAX II 7900/TexSpray 7900HD Standard Series/Roof Rig



Parts List - GMAX II 7900/TexSpray 7900HD Standard Series/Roof Rig

| Ref. | Part | Description | Qty. | Ref. | Part | Description | Qty. |
|------|--------|--|------|------|---------|--------------------------------------|------|
| 1 | 287370 | FRAME | 1 | | 16X905 | TexSpray, 7900HD | 1 |
| 2 | 156306 | WASHER, flat | 2 | 89 | 248215 | TUBE, intake, <i>includes 90</i> | 1 |
| 3 | 119509 | WHEEL, pneumatic | 2 | 90 | 118494 | PACKING, o-ring, 7900 | 1 |
| 4 | 15E891 | CLIP, retaining | 2 | 100 | 125926 | FITTING, 90 deg | 1 |
| 11 | 237686 | WIRE, ground assembly w/ clamp | 1 | 106 | 113161 | SCREW, flange, hex hd | 3 |
| 12 | 112798 | SCREW, thread forming, hex hd | 1 | 110 | 119677 | SPRING, retaining | 1 |
| 14 | 276974 | CAP, leg | 2 | 111 | 193394 | NUT, retaining | 1 |
| 15 | 116080 | ENGINE, gas, 6.5 HP, Honda | 1 | 112 | 111040H | NUT, lock, insert, nylock, 5/16 | 2 |
| | 25P296 | ENGINE, gas, 6.5HP (China only) | 1 | 114 | 19B144 | PIN, pump | 1 |
| 16 | 110837 | SCREW, flange, hex | 2 | 121▲ | 194126 | LABEL, warning | 1 |
| 17 | 110838 | NUT, lock | 2 | 126 | 16X350 | LABEL, identification, 7900 | 1 |
| 18 | 183401 | KEY, parallel | 1 | | 16X355 | LABEL, identification, 7900HD | 1 |
| 19 | 15E277 | HOUSING, clutch, mach, 5900/7900 | 1 | 129▲ | 290228 | LABEL, caution | 1 |
| 20 | 108842 | SCREW, cap, hex hd | 4 | 133 | 114687 | CLIP, retainer | 1 |
| 21 | 100214 | WASHER, lock | 4 | 134 | 119569 | BUSHING, strain relief | 1 |
| 22 | 193680 | COLLAR, shaft | 1 | 145 | 15F354 | FUNNEL, oil (not shown) | 1 |
| 23† | 108803 | SCREW, hex, socket head | 6 | 146 | 116038 | WASHER, wave spring | 2 |
| 24† | 105510 | WASHER, lock, spring | 10 | 147 | 288420 | GUN, contractor, RAC X, 7900 | 1 |
| 25† | | ARMATURE, clutch, 5 in. | 1 | | 241705 | GUN, spray, texture, 7900HD Roof Rig | 1 |
| 26† | | HUB, armature | 1 | 148 | 240797 | HOSE, coupled, 3/8 in. x 50 ft | 1 |
| 27† | | ROTOR, clutch, 5 in. | 1 | 149 | 159841 | O-RING | 1 |
| 28† | 101682 | SCREW, cap, sch | 4 | 153 | 241735 | HOSE, coupled, 1/4 in. x 3 ft | 1 |
| 29 | 287466 | HOUSING, pinion, 7900 | 1 | 154 | 102982 | O-RING, TexSpray, 7900HD | 1 |
| 30 | 114672 | WASHER, thrust | 2 | 158 | 189018 | SWIVEL, assembly, 7900 HD | 1 |
| 31 | 114699 | WASHER, thrust | 1 | 308 | 108795 | SCREW, mach, pnh | 4 |
| 32 | 287459 | GEAR, combination, 7900 | 1 | 310 | 24A250 | HANDLE, cart | 1 |
| 33 | 287470 | HOUSING, drive, 7900, <i>includes 33a,33b</i> | 1 | ▲ | 16Y631 | LABEL, warning | 1 |
| 33a | 116192 | WASHER, thrust | 1 | ▲ | 16Y632 | LABEL, warning | 1 |
| 33b | 194173 | WASHER | 1 | ▲ | 16Y633 | LABEL, warning | 1 |
| 35 | 112395 | SCREW, cap, flng hd | 1 | | | | |
| 36 | 102962 | SCREW, cap sch | 4 | | | | |
| 37 | 104008 | WASHER, lock, spring | 4 | | | | |
| 38 | 15C753 | SCREW, mach, hex wash hd | 6 | | | | |
| 40H | | HOUSING, bearing, 7900 | 1 | | | | |
| 41▲ | 15F638 | LABEL, GMAX warning fire & skin | 1 | | | | |
| 43 | 24V022 | ROD, connecting, 7900 | 1 | | | | |
| 44 | 16Y749 | COVER, front, 7900 (includes 45) | 1 | | | | |
| 45H | 118444 | SCREW, mach, slot hex wash hd | 6 | | | | |
| 47 | 16X423 | PUMP, displacement, 7900, <i>includes 86, 89, 90</i> | 1 | | | | |
| | 16X425 | PUMP, displacement, 7900HD, <i>includes 86</i> | 1 | | | | |
| 63H | 112600 | WASHER, lock, spring | 4 | | | | |
| 64H | 112599 | SCREW, cap, socket head | 4 | | | | |
| 68 | 244240 | HOSE, coupled, <i>includes 69</i> | 1 | | | | |
| 69 | 241920 | DEFLECTOR, threaded | 1 | | | | |
| 70 | 16X822 | BOX, control, standard | 1 | | | | |
| 75 | 16X983 | LABEL, standard series | 1 | | | | |
| 76 | 114678 | BUSHING, strain relief | 1 | | | | |
| 79H | 16X770 | SHIELD, pump rod | 1 | | | | |
| 80H | 278204 | CLIP, drain line | 1 | | | | |
| 81 | 16C457 | HANGER, pail | 1 | | | | |
| 82 | 189920 | STRAINER, (1-11 1/2 NPSM) | 1 | | | | |
| 86 | | FITTING, pump | 1 | | | | |
| | 196178 | 7900 | 1 | | | | |
| | 16X835 | TexSpray, 7900HD | 1 | | | | |
| 87 | | HOSE, coupled | 1 | | | | |
| | 16X909 | 7900 | 1 | | | | |

▲ Replacement Danger and Warning Labels, Tags and Cards are available at no cost.

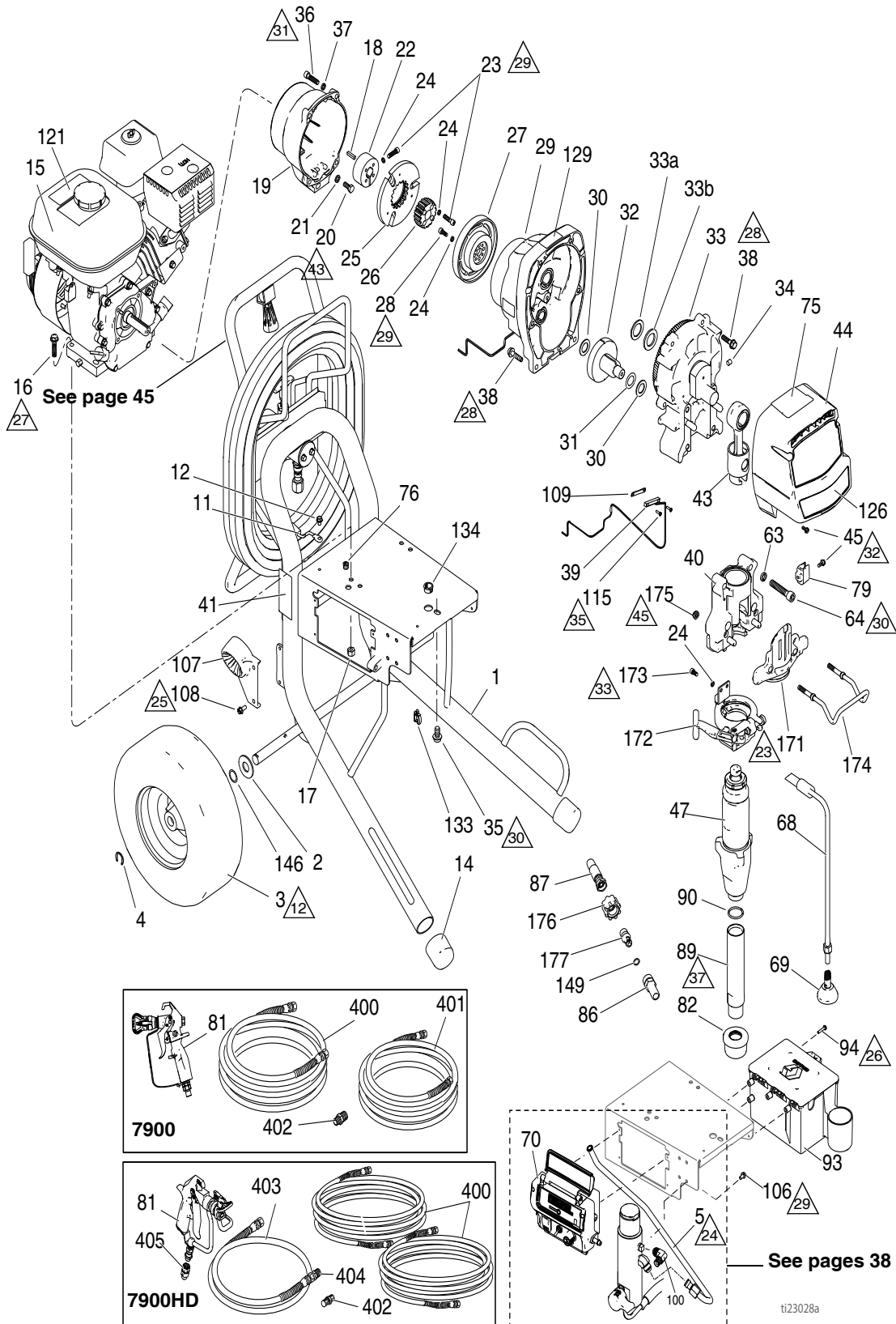
† Included in Clutch Replacement Kit 241113.

H Included in bearing housing kit 24V028

Part Specifications:

| Ref. | Instruction |
|------|--|
| 5 | Torque to 190-210 in-lb (21.5-23.7 N•m) |
| 10 | Torque to 115-135 in-lb (12.9-15.3 N•m) |
| 14 | Torque to 130-150 in-lb (14.7-16.9 N•m) |
| 19 | Torque to 30-35 in-lb (3.4-3.9 N•m) |
| 20 | Torque to 35-45 ft-lb (47.5-61.0 N•m) |
| 24 | Torque to 20 +/- 3 ft-lb (21.7 +/- 4.1 N•m) |
| 28 | Torque to 75 +/- 5 ft-lb (101.7 +/- 6.8 N•m) |
| 31 | Torque to 25-35 in-lb (2.8-3.9 N•m) |
| 34 | Inflate tires to 28-32 psi (1.93-2.21 bar/0.193-0.221 MPa) |
| 38 | Torque to 70-90 in-lb (7.9-10.2 N•m) |
| 43 | Torque to 200-230 in-lb (22.6-25.6 N•m) |
| 53 | Torque to 170-190 in-lb (19.2-21.5 N•m) |

GMAX II 7900/TexSpray 7900HD ProContractor Series



Parts List - GMAX II 7900/TexSpray 7900HD ProContractor Series

| Ref. | Part | Description | Qty. | Ref. | Part | Description | Qty. |
|------|--------|--|------|------|--------|--|------|
| 1 | 24D047 | FRAME, hose reel | 1 | 90 | 118494 | PACKING, o-ring, 7900 | 1 |
| 2 | 156306 | WASHER, flat | 2 | 93 | 287253 | TOOL BOX, <i>includes 94</i> | 1 |
| 3 | 119509 | WHEEL, pneumatic | 2 | 94 | 118852 | SCREW, thd forming, hex washer HD | 3 |
| 4 | 15E891 | CLIP, retaining | 2 | 100 | 125926 | FITTING, 90 deg | 1 |
| 5 | 16C381 | TUBE, hydraulic, GMAX 5900/7900 | 1 | 106 | 113161 | SCREW, flange, hex hd | 3 |
| 11 | 237686 | WIRE, ground assembly w/ clamp | 1 | 107 | 278083 | GUIDE, hose | 1 |
| 12 | 112798 | SCREW, thread forming, hex hd | 1 | 108 | 117633 | SCREW, slot hex wash hd | 2 |
| 14 | 276974 | CAP, leg | 2 | 109 | 15F947 | SHIELD, magnetic | 1 |
| 15 | 116080 | ENGINE, gas, 6.5 HP, Honda | 1 | 115 | 114528 | SCREW, mach, phillips, pnhd | 2 |
| | 25P296 | ENGINE, gas, 6.5HP (China only) | 1 | 121▲ | 194126 | LABEL, warning | 1 |
| 16 | 110837 | SCREW, flange, hex | 2 | 126 | 16X350 | LABEL, identification, 7900 | 1 |
| 17 | 110838 | NUT, lock | 2 | | 16X355 | LABEL, identification, TexSpray 7900 | |
| 18 | 183401 | KEY, parallel | 1 | 129 | 290228 | LABEL, caution | 1 |
| 19 | 15E277 | HOUSING, clutch, mach (5900/7900) | 1 | 133 | 114687 | CLIP, retainer | 1 |
| 20 | 108842 | SCREW, cap, hex hd | 4 | 134 | 119569 | BUSHING, strain relief | 1 |
| 21 | 100214 | WASHER, lock | 4 | 143 | 15F354 | FUNNEL, oil (not shown) | 1 |
| 22 | 193680 | COLLAR, shaft | 1 | 146 | 116038 | WASHER, wave spring | 2 |
| 23† | 108803 | SCREW, hex, socket head | 6 | 149 | | O-RING | |
| 24† | 105510 | WASHER, lock, spring | 12 | | 107505 | 7900 | 1 |
| 25† | | ARMATURE, clutch, 5 in. | 1 | | 102982 | TexSpray, 7900HD | 1 |
| 26† | | HUB, armature | 1 | 171H | 16X209 | PLATE, front, ProConnect II | 1 |
| 27† | | ROTOR, clutch, 5 in. | 1 | 172H | 16X324 | CLAMP, pump, large | 1 |
| 28† | 101682 | SCREW, cap, sch | 4 | 173H | 101550 | SCREW, cap, sch | 2 |
| 29 | 287466 | HOUSING, pinion, 7900 | 1 | 174H | 16C457 | HANGER, pail | 1 |
| 30 | 114672 | WASHER, thrust | 2 | 175H | 112746 | NUT, lock, nylon, thin pattern | 2 |
| 31 | 114699 | WASHER, thrust | 1 | 176 | 120583 | NUT, hand, 7900 only | 1 |
| 32 | 287459 | GEAR, combination, 7900 | 1 | 177 | 16X833 | FITTING, quick disconnect, 3/8 npsm, 7900 only | 1 |
| 33 | 287470 | HOUSING, drive, 7900, <i>includes 33a, 33b</i> | 1 | 400 | 240797 | HOSE, coupled, 3/8 in. x 50 ft, 7900 | 1 |
| 33a | 116192 | WASHER, thrust | 1 | | 240797 | HOSE, coupled, 3/8 in. x 50 ft, 7900HD | 2 |
| 33b | 194173 | WASHER | 1 | 401 | 240794 | HOSE, coupled, 1/4 in. x 50 ft, 7900 | 1 |
| 34 | 116618 | MAGNET | 1 | 402 | 164672 | ADAPTER, 7900 | 1 |
| 35 | 112395 | SCREW, cap, flng hd | 1 | | 162485 | ADAPTER, 7900HD | |
| 36 | 102962 | SCREW, cap sch | 4 | 403 | 241735 | HOSE, coupled, 1/4 in. x 3 ft mxl, 7900HD | 1 |
| 37 | 104008 | WASHER, lock, spring | 4 | 404 | 159841 | BUSHING, 7250 psi, 3/8 x 1/4 in., 7900HD | 1 |
| 38 | 15C753 | SCREW, mach, hex wash hd | 6 | 405 | 189018 | SWIVEL | 1 |
| 39 | 119562 | SWITCH, reed w/connector | 1 | ▲ | 16Y631 | LABEL, warning | 1 |
| 40H | | HOUSING, bearing, 7900 | 1 | ▲ | 16Y632 | LABEL, warning | 1 |
| 41▲ | 15F638 | LABEL, GMAX warning fire & skin | 1 | ▲ | 16Y633 | LABEL, warning | 1 |
| 43 | 24V086 | ROD, connecting, 7900 | 1 | | | | |
| 44 | 16Y749 | COVER, front, 7900, <i>includes 45</i> | 1 | | | | |
| 45H | 118444 | SCREW, mach, slot hex wash hd | 5 | | | | |
| 47 | 16X426 | PUMP, displacement, 7900, <i>includes 86, 89, 90</i> | 1 | | | | |
| | 16X427 | PUMP, displacement, 7900HD, <i>includes 86</i> | | | | | |
| 63H | 112600 | WASHER, lock, spring | 4 | | | | |
| 64H | 112599 | SCREW, cap, socket head | 4 | | | | |
| 68 | 244240 | HOSE, coupled, <i>includes 69</i> | 1 | | | | |
| 69 | 241920 | DEFLECTOR, threaded | 1 | | | | |
| 70 | 16X821 | BOX, control | 1 | | | | |
| 75 | 16X981 | LABEL, ProConnect | 1 | | | | |
| 76 | 114678 | BUSHING, strain relief | 1 | | | | |
| 79H | 16X203 | CLIP, drain line | 1 | | | | |
| 81 | 288420 | GUN, contractor, RAC X, packaged, 7900 | 1 | | | | |
| | 241705 | GUN, spray, texture, 7900HD | 1 | | | | |
| 82 | 189920 | STRAINER, (1-11 1/2 NPSM) | 1 | | | | |
| 86 | | FITTING, pump | | | | | |
| | 16Y579 | 7900 | 1 | | | | |
| | 16X835 | TexSpray 7900HD | 1 | | | | |
| 87 | | HOSE, coupled | | | | | |
| | 16X904 | 7900 | 1 | | | | |
| | 16X905 | TexSpray 7900HD | 1 | | | | |
| 89 | 248215 | TUBE, intake, <i>includes 90</i> | 1 | | | | |

▲ Replacement Danger and Warning Labels, Tags and Cards are available at no cost.

† Included in Clutch Replacement Kit 241113.

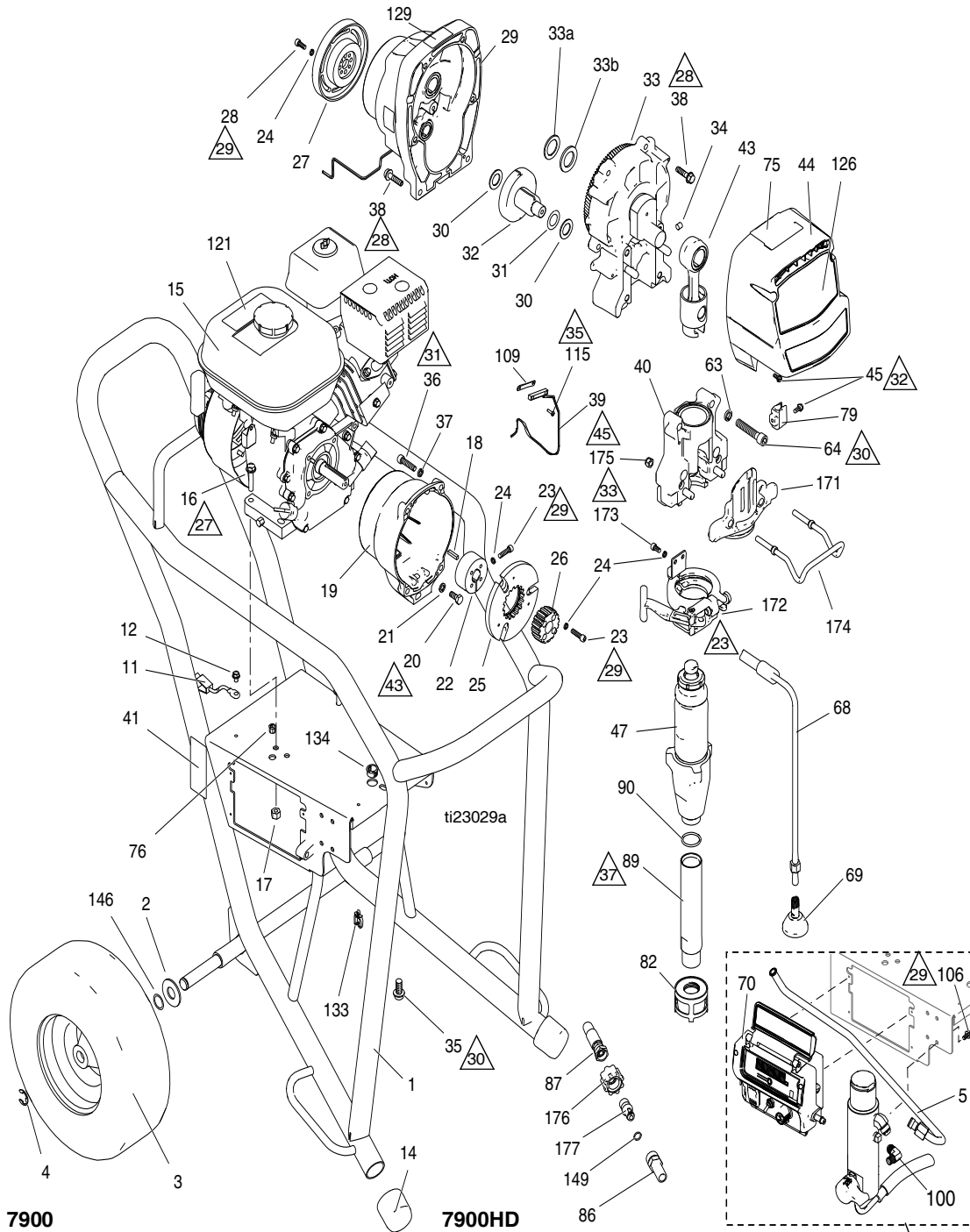
H Included in bearing housing kit 24V089

Part Specifications:

| Ref. | Instruction |
|------|--|
| 12▲ | Inflate tires to 28-32 psi (1.93-2.21 bar/0.193-0.221 MPa) |
| 23▲ | Torque clamp adjustment bolt to 140-160 in-lb (15.8-18.1 N•m) with reference 47 installed and ProConnect in locked position. |
| 24▲ | Torque to 38-42 ft-lb (51.5-56.9 N•m) |
| 25▲ | Torque to 120-130 in-lb (13.4-14.7 N•m) |
| 26▲ | Torque to 40-45 in-lb (4.5-5.1 N•m) |
| 27▲ | Torque to 17-23 ft-lb (23.1-31.2 N•m) |
| 28▲ | Torque to 190-210 in-lb (21.5-23.7 N•m) |
| 29▲ | Torque to 115-135 in-lb (12.9-15.3 N•m) |
| 30▲ | Torque to 23-29 ft-lb (31.2-39.2 N•m) |
| 31▲ | Torque to 130-150 in-lb (14.7-16.9 N•m) |

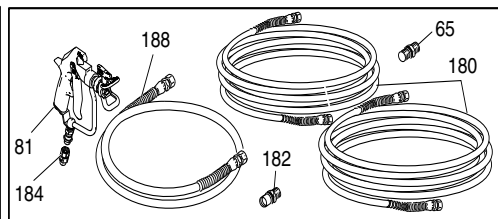
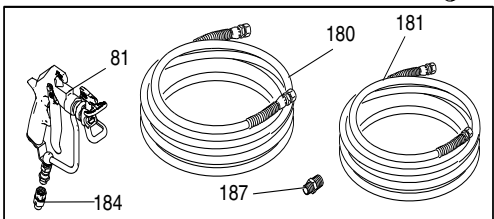
| Ref. | Instruction |
|------|---|
| 32 | Torque to 30-45in-lb (3.4-5.1 N•m) |
| 33 | Torque to 90-110 in-lb (10.2-12.4 N•m) |
| 35 | Torque to 8-12 in-lb (0.9-1.4 N•m) |
| 37 | Torque to 70-90 in-lb (7.9-10.2 N•m) |
| 43 | Torque to 170-190 in-lb (19.2-21.5 N•m) |
| 45 | Torque to 200-230 in-lb (22.6-25.9 N•m) |

GMAX II 7900/TexSpray 7900 IronMan



7900

7900HD



See pages 38 and 43.

Parts List - GMAX II 7900/TexSpray 7900HD IronMan

| Ref. | Part | Description | Qty. | Ref. | Part | Description | Qty. |
|------|--------|--|------|------|--------|--|------|
| 1 | 16X778 | FRAME | 1 | 100 | 125926 | FITTING, 90 deg | 1 |
| 2 | 156306 | WASHER, flat | 2 | 106 | 113161 | SCREW, flange, hex hd | 3 |
| 3 | 122267 | WHEEL, foam | 2 | 109 | 15F947 | SHIELD, magnetic | 1 |
| 4 | 120211 | CLIP, retaining | 2 | 115 | 114528 | SCREW, mach, phillips, pnhd | 2 |
| 11 | 237686 | WIRE, ground assembly w/ clamp | 1 | 121▲ | 194126 | LABEL, warning | 1 |
| 12 | 112798 | SCREW, thread forming, hex hd | 1 | 126 | 16X350 | LABEL, identification, 7900 | 1 |
| 14 | 15C871 | CAP, leg | 2 | | 16X355 | LABEL, identification, TexSpray 7900 | 1 |
| 15 | 116080 | ENGINE, gas, 6.5 HP, Honda | 1 | 129 | 290228 | LABEL, caution | 1 |
| 16 | 110837 | SCREW, flange, hex | 2 | 133 | 114687 | CLIP, retainer | 1 |
| 17 | 110838 | NUT, lock | 2 | 134 | 119569 | BUSHING, strain relief | 1 |
| 18 | 183401 | KEY, parallel | 1 | 143 | 15F354 | FUNNEL, oil (not shown) | 1 |
| 19 | 15E277 | HOUSING, clutch, mach, 5900/7900 | 1 | 146 | 116038 | WASHER, wave spring | 2 |
| 20 | 108842 | SCREW, cap, hex hd | 4 | 149 | | O-RING | |
| 21 | 100214 | WASHER, lock | 4 | | 107505 | 7900 | 1 |
| 22 | 193680 | COLLAR, shaft | 1 | | 102982 | TexSpray 7900HD | 1 |
| 23† | 108803 | SCREW, hex, socket head | 6 | 171H | 16X209 | PLATE, front, ProConnect II | 1 |
| 24† | 105510 | WASHER, lock, spring | 12 | 172H | 16X324 | CLAMP, pump, large | 1 |
| 25† | | ARMATURE, clutch, 5 in. | 1 | 173H | 101550 | SCREW, cap, sch | 2 |
| 26† | | HUB, armature | 1 | 174H | 16C457 | HANGER, pail | 1 |
| 27† | | ROTOR, clutch, 5 in. | 1 | 175H | 112746 | NUT, lock, nylon, thin pattern | 2 |
| 28† | 101682 | SCREW, cap, sch | 4 | 176 | 120583 | NUT, hand, 7900 only | 1 |
| 29 | 287466 | HOUSING, pinion, 7900 | 1 | 177 | 16X833 | FITTING, quick disconnect, 3/8 npsm, 7900 only | 1 |
| 30 | 114672 | WASHER, thrust | 2 | 180 | 240797 | HOSE, coupled, 3/8 in. x 50 ft, 7900 | 1 |
| 31 | 114699 | WASHER, thrust | 1 | | 240797 | HOSE, coupled, 3/8 in. x 50 ft, 7900HD | 2 |
| 32 | 287459 | GEAR, combination, 7900 | 1 | 181 | 240794 | HOSE, coupled, 1/4 in. x 50 ft | 1 |
| 33 | 287470 | HOUSING, drive, 7900, <i>includes 33a, 33b</i> | 1 | 182 | 159841 | BUSHING, 7250 psi, 3/8 in. x 1/4 in. | 1 |
| 33a | 116192 | WASHER, thrust | 1 | 184 | 189018 | SWIVEL, assembly | 1 |
| 33b | 194173 | WASHER | 1 | 187 | 164672 | ADAPTER | 1 |
| 34 | 116618 | MAGNET | 1 | 188 | 241735 | HOSE, cpld, 1/4 in. x 3 ft | 1 |
| 35 | 112395 | SCREW, cap, flng hd | 1 | ▲ | 16Y631 | LABEL, warning | 1 |
| 36 | 102962 | SCREW, cap sch | 4 | ▲ | 16Y632 | LABEL, warning | 1 |
| 37 | 104008 | WASHER, lock, spring | 4 | ▲ | 16Y633 | LABEL, warning | 1 |
| 38 | 15C753 | SCREW, mach, hex wash hd | 6 | | | | |
| 39 | 119562 | SWITCH, reed w/connector | 1 | | | | |
| 40H | | HOUSING, bearing, 7900 | 1 | | | | |
| 41▲ | 15F638 | LABEL, GMAX warning fire & skin | 1 | | | | |
| 43 | 24V086 | ROD, connecting, 7900 | 1 | | | | |
| 44 | 16Y749 | COVER, front, 7900, <i>includes 45</i> | 1 | | | | |
| 45H | 118444 | SCREW, mach, slot hex wash hd | 5 | | | | |
| 47 | 16X426 | PUMP, displacement, 7900, <i>includes 86, 89, 90</i> | 1 | | | | |
| | 16X427 | PUMP, displacement, 7900HD, <i>includes 86</i> | | | | | |
| 63H | 112600 | WASHER, lock, spring | 4 | | | | |
| 64H | 112599 | SCREW, cap, socket head | 4 | | | | |
| 65 | 162485 | ADAPTER, nipple (7900HD) | 1 | | | | |
| 68 | 244240 | HOSE, coupled, <i>includes 69</i> | 1 | | | | |
| 69 | 241920 | DEFLECTOR, threaded | 1 | | | | |
| 70 | 16X821 | BOX, control | 1 | | | | |
| 75 | 16X982 | LABEL, IronMan series | 1 | | | | |
| 76 | 114678 | BUSHING, strain relief | 1 | | | | |
| 79H | 16X203 | CLIP, drain line | 1 | | | | |
| 81 | 24A139 | GUN, silver, RAC X, packaged, 7900 | 1 | | | | |
| | 241705 | GUN, spray, texture, 7900HD | 1 | | | | |
| 82 | 15V573 | STRAINER, (1-11 1/2 NPSM) | 1 | | | | |
| 86 | | FITTING, pump | | | | | |
| | 16Y579 | 7900 | 1 | | | | |
| | 16X835 | TexSpray 7900HD | 1 | | | | |
| 87 | | HOSE, coupled | | | | | |
| | 16X904 | 7900 | 1 | | | | |
| | 16X905 | TexSpray 7900HD | 1 | | | | |
| 89 | 248215 | TUBE, intake, <i>includes 90</i> | 1 | | | | |
| 90 | 118494 | PACKING, o-ring, 7900 | 1 | | | | |

▲ Replacement Danger and Warning Labels, Tags and Cards are available at no cost.

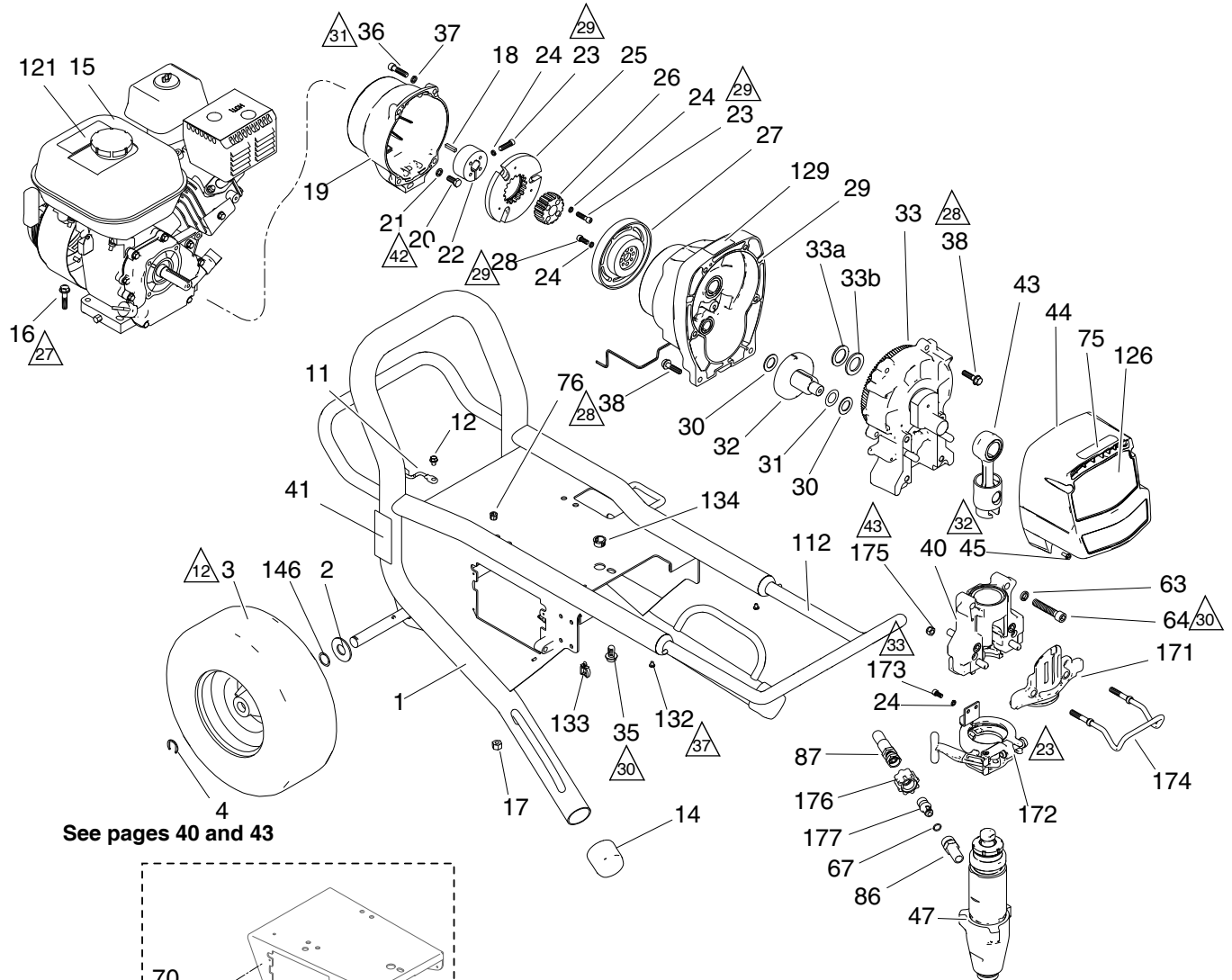
† Included in Clutch Replacement Kit 241113.

H Included in bearing housing kit 24V089

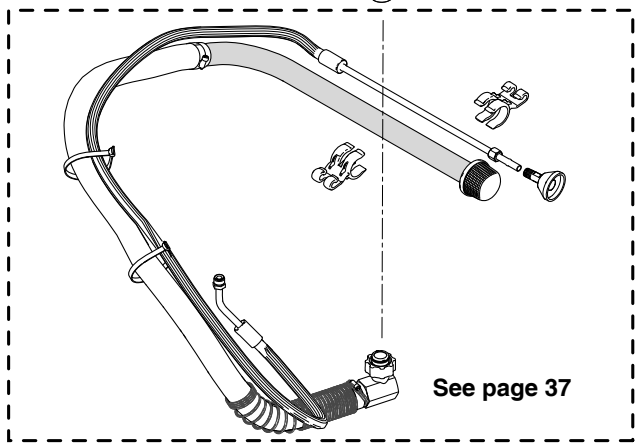
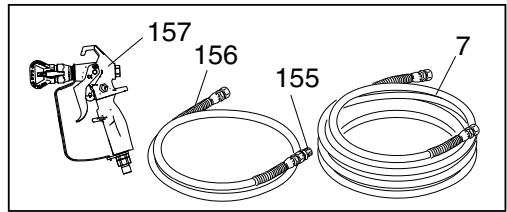
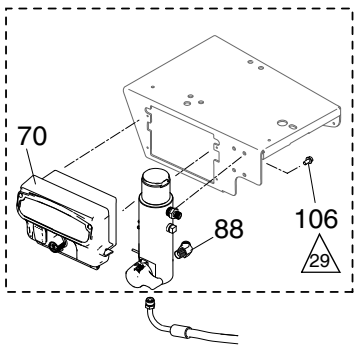
Part Specifications:

| Ref. | Instruction |
|-----------------|--|
| ▲ ₂₃ | Torque clamp adjustment bolt to 140-160 in-lb (15.8-18.1 N•m) with reference 47 installed and ProConnect in locked position. |
| ▲ ₂₇ | Torque to 17-23 ft-lb (23.1-31.2 N•m) |
| ▲ ₂₈ | Torque to 190-210 in-lb (21.5-23.7 N•m) |
| ▲ ₂₉ | Torque to 115-135 in-lb (12.9-15.3 N•m) |
| ▲ ₃₀ | Torque to 23-29 ft-lb (31.2-39.3 N•m) |
| ▲ ₃₁ | Torque to 130-150 in-lb (14.7-16.9 N•m) |
| ▲ ₃₂ | Torque to 30-45 in-lb (3.4-5.1 N•m) |
| ▲ ₃₃ | Torque to 90-110 in-lb (10.2-12.4 N•m) |
| ▲ ₃₅ | Torque to 8-12 in-lb (0.9-1.4 N•m) |
| ▲ ₃₇ | Torque to 70-90 in-lb (7.9-10.2 N•m) |
| ▲ ₄₃ | Torque to 170-190 in-lb (19.2-21.5 N•m) |
| ▲ ₄₅ | Torque to 200-230 in-lb (22.5-25.9 N•m) |

GMAX II 7900 Lo-Boy



See pages 40 and 43



ti23027a

Parts List - GMAX II 7900/Lo-Boy

| Ref. | Part | Description | Qty. | Ref. | Part | Description | Qty. | | | | | | | | | | | | | | | | |
|------|--|--|------|--|--------|---|------|------|-------------|-----|--|-----|--|-----|---------------------------------------|-----|---|-----|---|-----|---------------------------------------|-----|---|
| 1 | 16Y519 | FRAME | 1 | 106 | 113161 | SCREW, flange, hex hd | 3 | | | | | | | | | | | | | | | | |
| 2 | 156306 | WASHER, flat | 2 | 112 | 16Y780 | HANDLE, cart | 1 | | | | | | | | | | | | | | | | |
| 3 | 119509 | WHEEL, pneumatic | 2 | 121▲ | 194126 | LABEL, warning | 1 | | | | | | | | | | | | | | | | |
| 4 | 15E891 | CLIP, retaining | 2 | 126 | 16X350 | LABEL, identification | 1 | | | | | | | | | | | | | | | | |
| 7 | 240797 | HOSE, coupled, 3/8 in. x 50 ft | 1 | 129 | 290228 | LABEL, caution | 1 | | | | | | | | | | | | | | | | |
| 11 | 237686 | WIRE, ground assembly w/ clamp | 1 | 132 | 109032 | SCREW, mach, pnh | 4 | | | | | | | | | | | | | | | | |
| 12 | 112798 | SCREW, thread forming, hex hd | 1 | 133 | 114687 | CLIP, retainer | 1 | | | | | | | | | | | | | | | | |
| 14 | 276974 | CAP, leg | 2 | 134 | 119569 | BUSHING, strain relief | 1 | | | | | | | | | | | | | | | | |
| 15 | 116080 | ENGINE, gas, 6.5 HP, Honda | 1 | 146 | 116038 | WASHER, wave spring | 2 | | | | | | | | | | | | | | | | |
| | 25P296 | ENGINE, gas, 6.5HP (China only) | 1 | 155 | 159841 | BUSHING, 7250 psi, 3/8 in. x 1/4 in. | 1 | | | | | | | | | | | | | | | | |
| 16 | 110837 | SCREW, flange, hex | 2 | 156 | 241735 | HOSE, cpld, 1/4 in. x 3 ft | 1 | | | | | | | | | | | | | | | | |
| 17 | 110838 | NUT, lock | 2 | 157 | 288420 | GUN, contractor, RAC X, packaged | 1 | | | | | | | | | | | | | | | | |
| 18 | 183401 | KEY, parallel | 1 | 171H | 16X209 | PLATE, front, ProConnect II, 7900 | 1 | | | | | | | | | | | | | | | | |
| 19 | 15E277 | HOUSING, clutch, 5900/7900 | 1 | 172H | 16X324 | CLAMP, pump, large | 1 | | | | | | | | | | | | | | | | |
| 20 | 108842 | SCREW, cap, hex hd | 4 | 173H | 101550 | SCREW, cap, sch | 2 | | | | | | | | | | | | | | | | |
| 21 | 100214 | WASHER, lock | 4 | 174H | 16C457 | HANGER, pail | 1 | | | | | | | | | | | | | | | | |
| 22 | 193680 | COLLAR, shaft | 1 | 175H | 112746 | NUT, lock, nylon, thin pattern | 2 | | | | | | | | | | | | | | | | |
| 23† | 108803 | SCREW, hex, socket head | 6 | 176 | 120583 | NUT, hand | 1 | | | | | | | | | | | | | | | | |
| 24† | 105510 | WASHER, lock, spring | 12 | 177 | 16X833 | FITTING, quick disconnect, 3/8 npsm | 1 | | | | | | | | | | | | | | | | |
| 25† | | ARMATURE, clutch, 5 in. | 1 | ▲ | 16Y631 | LABEL, warning | 1 | | | | | | | | | | | | | | | | |
| 26† | | HUB, armature | 1 | ▲ | 16Y632 | LABEL, warning | 1 | | | | | | | | | | | | | | | | |
| 27† | | ROTOR, clutch, 5 in. | 1 | ▲ | 16Y633 | LABEL, warning | 1 | | | | | | | | | | | | | | | | |
| 28† | 101682 | SCREW, cap, sch | 4 | ▲ Replacement Danger and Warning Labels, Tags and Cards are available at no cost. | | | | | | | | | | | | | | | | | | | |
| 29 | 287466 | HOUSING, pinion, 7900 | 1 | † Included in Clutch Replacement Kit 241113. | | | | | | | | | | | | | | | | | | | |
| 30 | 114672 | WASHER, thrust | 2 | Suction Kit 16Y760 Kit is available | | | | | | | | | | | | | | | | | | | |
| 31 | 114699 | WASHER, thrust | 1 | HIncluded in bearing housing kit 24V089 | | | | | | | | | | | | | | | | | | | |
| 32 | 287459 | GEAR, combination, 7900 | 1 | Part Specifications: | | | | | | | | | | | | | | | | | | | |
| 33 | 287470 | HOUSING, drive, 7900, <i>includes 33a, 33b</i> | 1 | <table border="1"> <thead> <tr> <th>Ref.</th> <th>Instruction</th> </tr> </thead> <tbody> <tr> <td>▲2▲</td> <td>Inflate tires to 28-32 psi (1.93-2.21 bar/0.193-0.221 MPa)</td> </tr> <tr> <td>▲3▲</td> <td>Torque clamp adjustment bolt to 140-160 in-lb (15.8-18.1 N•m) with reference 47 installed and ProConnect in locked position.</td> </tr> <tr> <td>▲7▲</td> <td>Torque to 17-23 ft-lb (23.1-31.2 N•m)</td> </tr> <tr> <td>▲8▲</td> <td>Torque to 190-210 in-lb (21.5-23.7 N•m)</td> </tr> <tr> <td>▲9▲</td> <td>Torque to 115-135 in-lb (12.9-15.3 N•m)</td> </tr> <tr> <td>▲0▲</td> <td>Torque to 23-29 ft-lb (31.2-39.3 N•m)</td> </tr> <tr> <td>▲1▲</td> <td>Torque to 130-150 in-lb (14.7-16.9 N•m)</td> </tr> </tbody> </table> | | | | Ref. | Instruction | ▲2▲ | Inflate tires to 28-32 psi (1.93-2.21 bar/0.193-0.221 MPa) | ▲3▲ | Torque clamp adjustment bolt to 140-160 in-lb (15.8-18.1 N•m) with reference 47 installed and ProConnect in locked position. | ▲7▲ | Torque to 17-23 ft-lb (23.1-31.2 N•m) | ▲8▲ | Torque to 190-210 in-lb (21.5-23.7 N•m) | ▲9▲ | Torque to 115-135 in-lb (12.9-15.3 N•m) | ▲0▲ | Torque to 23-29 ft-lb (31.2-39.3 N•m) | ▲1▲ | Torque to 130-150 in-lb (14.7-16.9 N•m) |
| Ref. | Instruction | | | | | | | | | | | | | | | | | | | | | | |
| ▲2▲ | Inflate tires to 28-32 psi (1.93-2.21 bar/0.193-0.221 MPa) | | | | | | | | | | | | | | | | | | | | | | |
| ▲3▲ | Torque clamp adjustment bolt to 140-160 in-lb (15.8-18.1 N•m) with reference 47 installed and ProConnect in locked position. | | | | | | | | | | | | | | | | | | | | | | |
| ▲7▲ | Torque to 17-23 ft-lb (23.1-31.2 N•m) | | | | | | | | | | | | | | | | | | | | | | |
| ▲8▲ | Torque to 190-210 in-lb (21.5-23.7 N•m) | | | | | | | | | | | | | | | | | | | | | | |
| ▲9▲ | Torque to 115-135 in-lb (12.9-15.3 N•m) | | | | | | | | | | | | | | | | | | | | | | |
| ▲0▲ | Torque to 23-29 ft-lb (31.2-39.3 N•m) | | | | | | | | | | | | | | | | | | | | | | |
| ▲1▲ | Torque to 130-150 in-lb (14.7-16.9 N•m) | | | | | | | | | | | | | | | | | | | | | | |
| 33a | 116192 | WASHER, thrust | 1 | | | | | | | | | | | | | | | | | | | | |
| 33b | 194173 | WASHER | 1 | | | | | | | | | | | | | | | | | | | | |
| 35 | 112395 | SCREW, cap, flng hd | 1 | | | | | | | | | | | | | | | | | | | | |
| 36 | 102962 | SCREW, cap sch | 4 | | | | | | | | | | | | | | | | | | | | |
| 37 | 104008 | WASHER, lock, spring | 4 | | | | | | | | | | | | | | | | | | | | |
| 38 | 15C753 | SCREW, mach, hex wash hd | 6 | | | | | | | | | | | | | | | | | | | | |
| 40H | | HOUSING, bearing | 1 | | | | | | | | | | | | | | | | | | | | |
| 41▲ | 15F638 | LABEL, GMAX warning fire & skin | 1 | | | | | | | | | | | | | | | | | | | | |
| 43 | 24V086 | ROD, connecting, 7900 | 1 | | | | | | | | | | | | | | | | | | | | |
| 44 | 16Y749 | COVER, front, 7900, <i>includes 45</i> | 1 | | | | | | | | | | | | | | | | | | | | |
| 45H | 118444 | SCREW, mach, slot hex wash hd | 4 | | | | | | | | | | | | | | | | | | | | |
| 47 | 16X426 | PUMP, displacement, 7900, <i>includes 86, 89, 90</i> | 1 | | | | | | | | | | | | | | | | | | | | |
| 63H | 112600 | WASHER, lock, spring | 4 | | | | | | | | | | | | | | | | | | | | |
| 64H | 112599 | SCREW, cap, socket head | 4 | | | | | | | | | | | | | | | | | | | | |
| 67 | 107505 | O-RING | 1 | | | | | | | | | | | | | | | | | | | | |
| 70 | 16X822 | BOX, control | 1 | | | | | | | | | | | | | | | | | | | | |
| 75 | 16X979 | LABEL, Proconnect | 1 | | | | | | | | | | | | | | | | | | | | |
| 76 | 114678 | BUSHING, strain relief | 1 | | | | | | | | | | | | | | | | | | | | |
| 86 | 16Y579 | FITTING, pump | 1 | | | | | | | | | | | | | | | | | | | | |
| 87 | 16X950 | HOSE, coupled | 1 | | | | | | | | | | | | | | | | | | | | |
| 88 | 122533 | FITTING, 45 deg | 1 | | | | | | | | | | | | | | | | | | | | |

| Ref. | Instruction |
|------|---|
| 32 | Torque to 30-45 in-lb (3.4-5.1 N•m) |
| 33 | Torque to 90-110 in-lb (10.2-12.4 N•m) |
| 37 | Torque to 25-35 in-lb (2.8-3.9 N•m) |
| 42 | Torque to 170-190 in-lb (19.2-25.9 N•m) |
| 43 | Torque to 200-230 in-lb (22.5-25.9 N•m) |

LoBoy Suction Set Kits

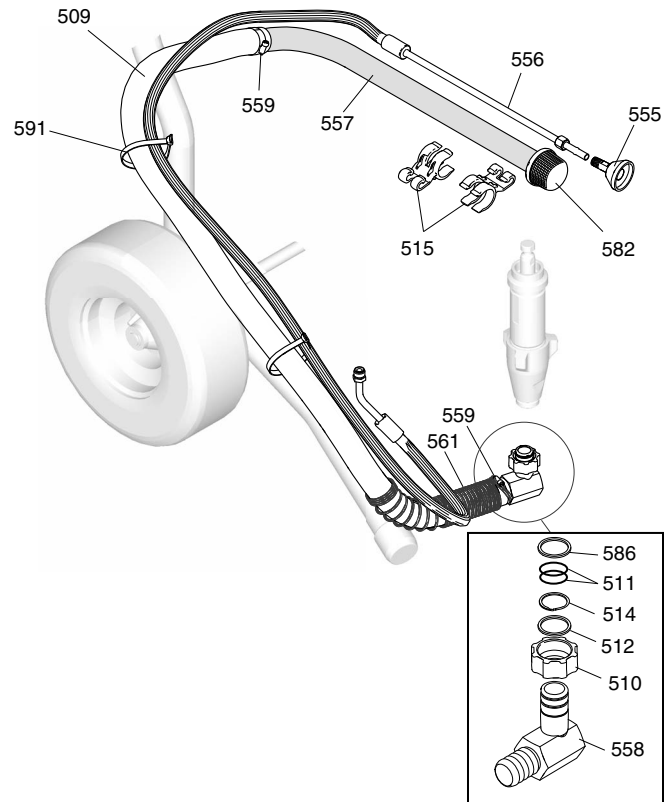
(Kits include suction set and drain hose)

GMAX II 3900/5900/7900

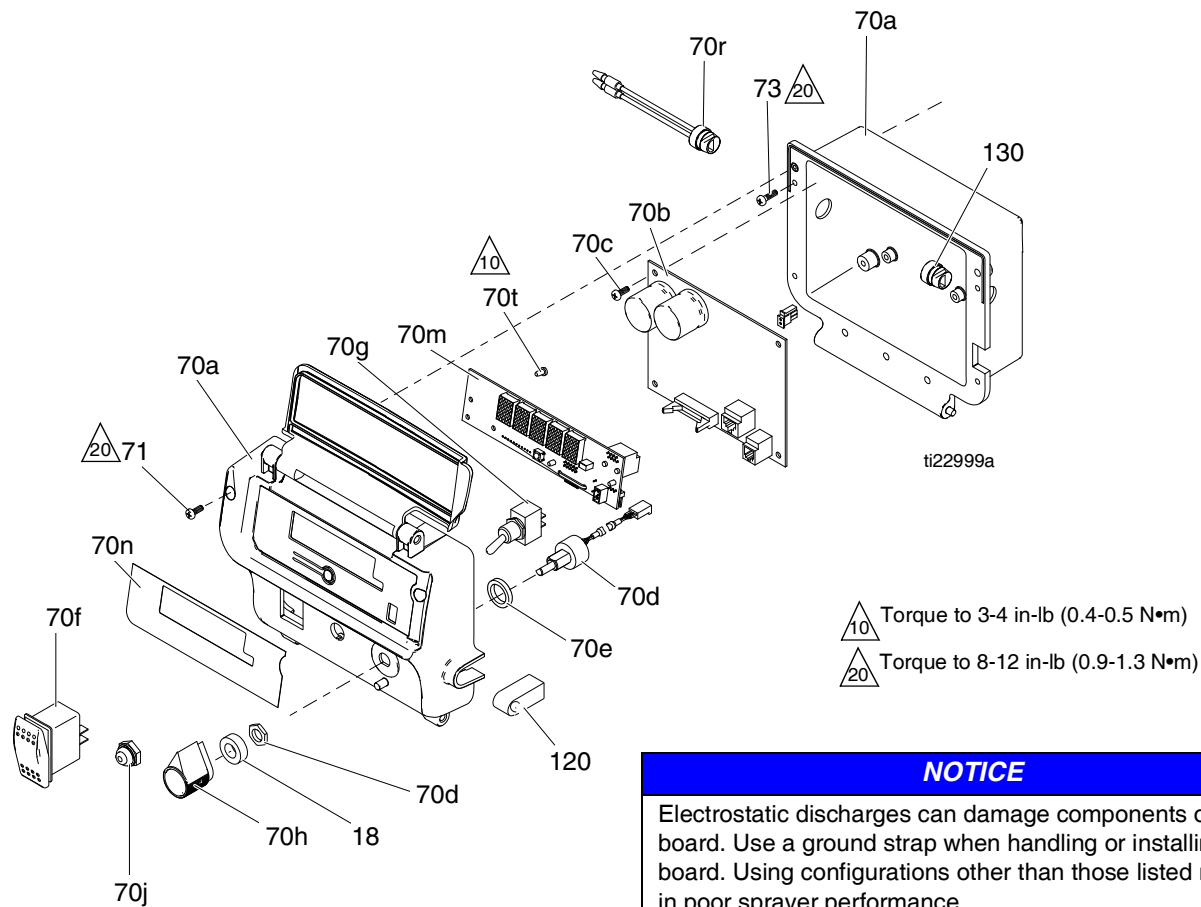
5 Gallon Kit: 16Y759 (included with 3900 and 5900)

30 - 55 Gallon Kit: 16Y760 (included with 7900)

| Ref. | Part | Description | Qty. |
|------|--------|---|------|
| 509 | 24W028 | HOSE, suction 5 gallon, <i>includes 510, 511, 512, 514, 557, 558, 559, 561</i> | 1 |
| | 24U917 | HOSE, suction 30 - 55 gallon, <i>includes 510, 511, 512, 514, 557, 558, 559, 561</i> | 1 |
| 510 | 15C980 | NUT, jam | 1 |
| 511 | 15H854 | O-RING | 2 |
| 512 | 15C981 | WASHER, suction, swivel | 1 |
| 514 | 118505 | RING, retaining, external | 1 |
| 515 | 15D000 | CLIP, drain line | 2 |
| 555 | 241920 | DEFLECTOR | 1 |
| 556 | | HOSE, drain, <i>includes 555</i> | |
| | 288732 | 5 gallon | 1 |
| | 246331 | 30 - 55 gallon | 1 |
| 557 | | TUBE, suction | |
| | 15D157 | 5 gallon | 1 |
| | 15F171 | 30 - 50 gallon | 1 |
| 558 | 24A561 | FITTING, elbow, barbed, <i>includes 510, 512, 514</i> | 1 |
| 559 | 120330 | CLAMP, hose | 2 |
| 561 | 176450 | GUARD, hose | 1 |
| 582 | 189920 | STRAINER, 1-11 1/2 npsm | 1 |
| 586 | | Washer | 1 |
| | 115099 | 3900/5900 | |
| | 119566 | 7900 | |
| 591 | | TIE STRAP | 2 |

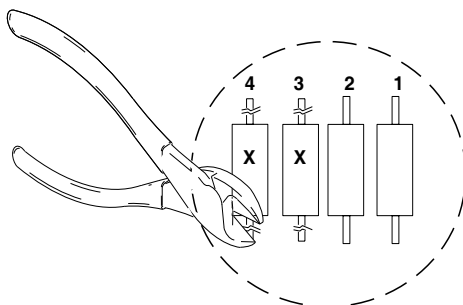


Control Box 16X821

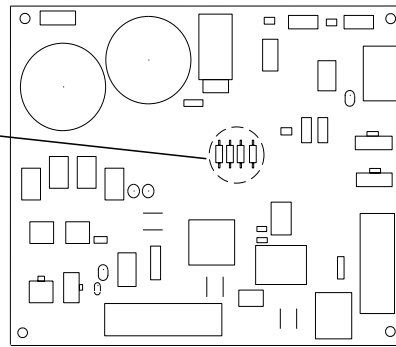


NOTICE

Electrostatic discharges can damage components on PC board. Use a ground strap when handling or installing PC board. Using configurations other than those listed results in poor sprayer performance.



**GMAX II 7900 EXAMPLE SHOWN
CUT X TO LEAVE THE CHOSEN MODEL.**



ti7053c

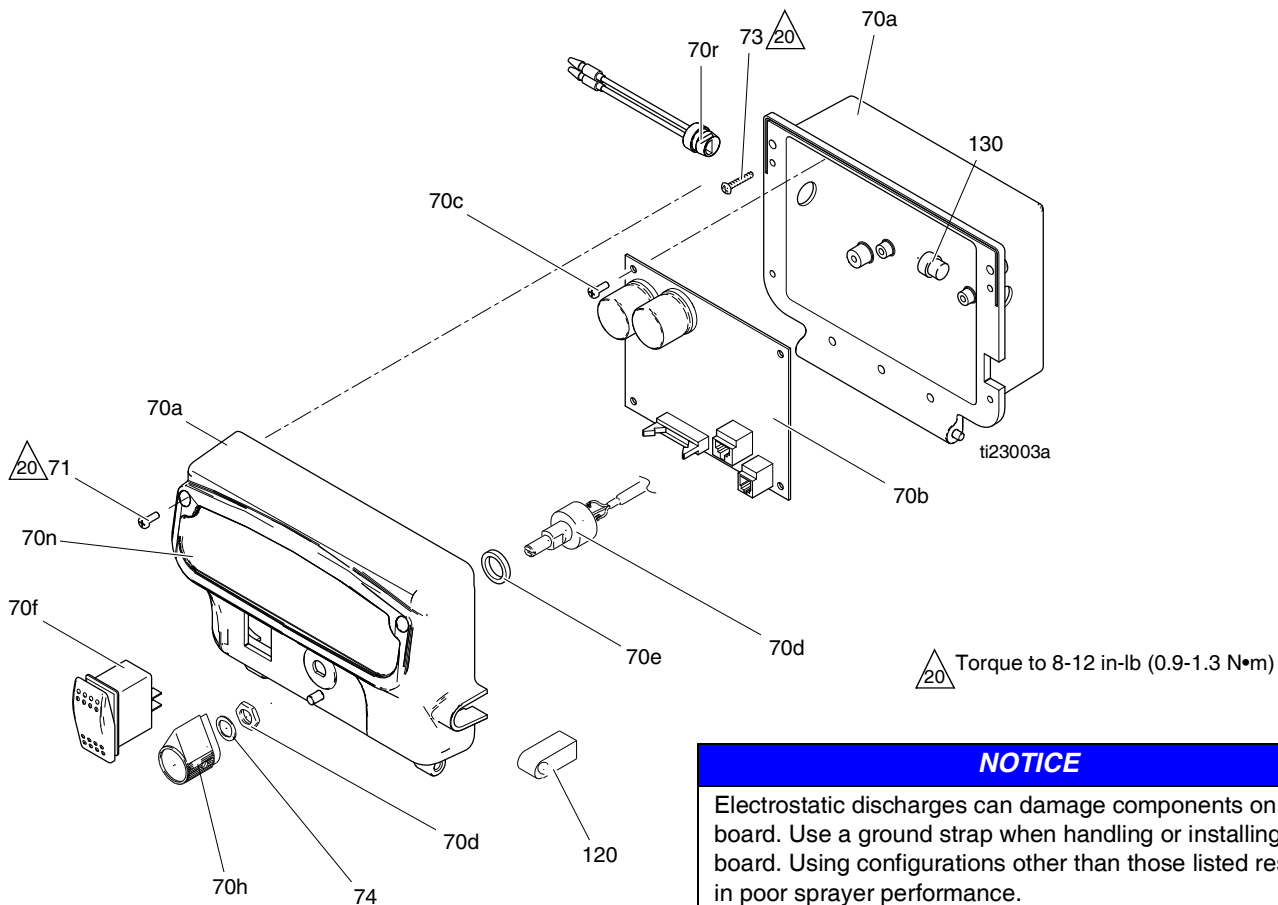
- 1 Refer to your sprayer repair manual for the procedures.
- 2 Perform **Pressure Relief Procedure**.
- 3 Remove pressure control cover.
- 4 Remove PC board.
- 5 Cut out and remove the resistor(s) on PC board according to figure and table.
- 6 Install PC board.
- 7 Install pressure control cover.

| | 3900 | | 5900 | | | 7900 | |
|---|--------------|----------------------------|---------------------|-----------------------------------|--------------------------|---------------------|-----------------------------------|
| | GMAX II 3900 | International GMAX II 3900 | GMAX II 5900/5900HD | GMAX II 5900/5900HD International | GMAX II 5900 Convertible | GMAX II 7900/7900HD | GMAX II 7900/7900HD International |
| 1 | x | x | | | | | x |
| 2 | | | x | x | | | |
| 3 | | x | x | | | x | x |
| 4 | | | | x | x | x | x |

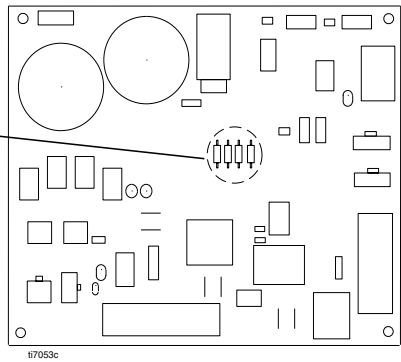
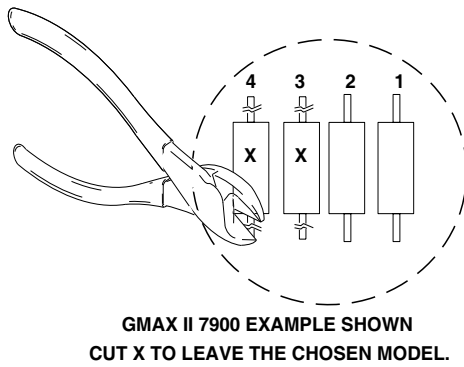
Parts List - Control Box 16X821

| Ref. | Part | Description | Qty. | Ref. | Part | Description | Qty. |
|------|--------|---------------------------|------|------|--------|-----------------------------------|------|
| 18 | 15C973 | GASKET | 1 | 70j | 195428 | BOOT, toggle | 1 |
| 70 | 16X821 | CONTROL BOX | | 70m | 16Y496 | KIT, display, <i>includes 70t</i> | 1 |
| 70a | 24U347 | BOX | 1 | 70n | 16X801 | LABEL, brand | 1 |
| 70b | 17A095 | CONTROL, board | 1 | 70r | 119545 | BUSHING, strain, relief | 1 |
| 70c | 117317 | SCREW, plastite, pan head | 4 | 70t | 115522 | SCREW, mach, pnh | 3 |
| 70d | 256219 | POTENTIOMETER | 1 | 71 | 116585 | SCREW, pan, X recess, sst | 2 |
| 70f | 116752 | SWITCH, rocker | 1 | 73 | 113160 | SCREW, mach, slot, hex wash hd | 4 |
| 70e | 198650 | SPACER, shaft | 1 | | | | |
| 70g | 119541 | SWITCH, toggle | 1 | 120 | 16Y415 | GASKET, transducer | 1 |
| 70h | 116167 | KNOB, potentiometer | 1 | 130 | 119545 | BUSHING, strain, relief | 1 |

Control Box 16X822



NOTICE
 Electrostatic discharges can damage components on PC board. Use a ground strap when handling or installing PC board. Using configurations other than those listed results in poor sprayer performance.



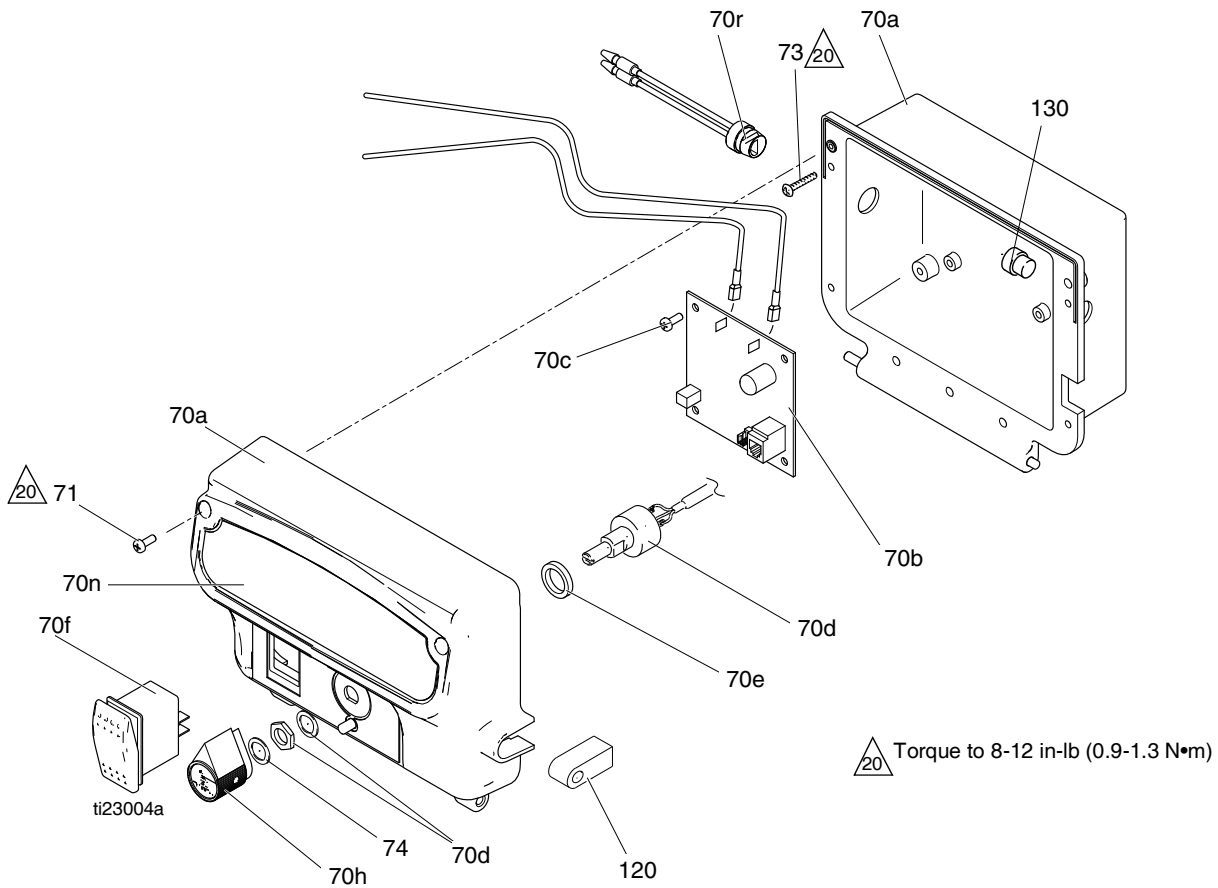
- 1 Refer to your sprayer repair manual for the procedures.
- 2 Perform **Pressure Relief Procedure**.
- 3 Remove pressure control cover.
- 4 Remove PC board.
- 5 Cut out and remove the resistor(s) on PC board according to figure and table.
- 6 Install PC board.
- 7 Install pressure control cover.

| | 3900 | | 5900 | | | 7900 | |
|---|--------------|----------------------------|---------------------|-----------------------------------|--------------------------|---------------------|-----------------------------------|
| | GMAX II 3900 | International GMAX II 3900 | GMAX II 5900/5900HD | GMAX II 5900/5900HD International | GMAX II 5900 Convertible | GMAX II 7900/7900HD | GMAX II 7900/7900HD International |
| 1 | X | X | | | | | X |
| 2 | | | X | X | | | |
| 3 | | X | X | | | X | X |
| 4 | | | | X | X | X | X |

Parts List - Control Box 16X822

| Ref. | Part | Description | Qty. | Ref. | Part | Description | Qty. |
|------|--------|---------------------------|------|------|--------|---|------|
| 70 | 16X822 | CONTROL BOX | | 70r | 119545 | BUSHING, strain, relief | 1 |
| 70a | 24U346 | BOX | 1 | 71 | 116585 | SCREW, pan, X recess, sst | 2 |
| 70b | 17A095 | CONTROL, board | 1 | 73 | 116585 | SCREW, pan, X recess, sst (5900 Convertible) | 4 |
| 70c | 117317 | SCREW, plastite, pan head | 4 | | 113160 | SCREW, mach, slot, hex wash hd | 4 |
| 70d | 256219 | POTENTIOMETER | 1 | | | | |
| 70e | 198650 | SPACER, shaft | 1 | 74 | 15C973 | GASKET | 1 |
| 70f | 116752 | SWITCH, rocker | 1 | 120 | 16Y415 | GASKET, transducer | 1 |
| 70h | 116167 | KNOB, potentiometer | 1 | 130 | 119545 | BUSHING, strain, relief | 1 |
| 70n | 16Y782 | LABEL, brand | 1 | | | | |

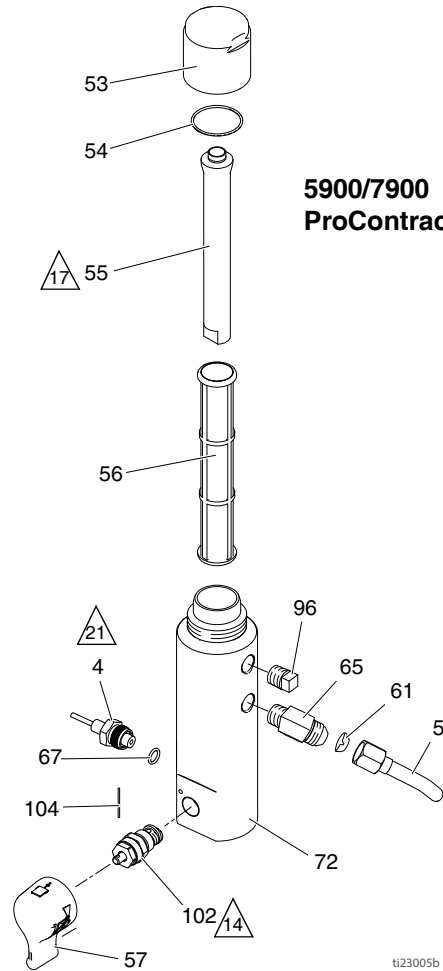
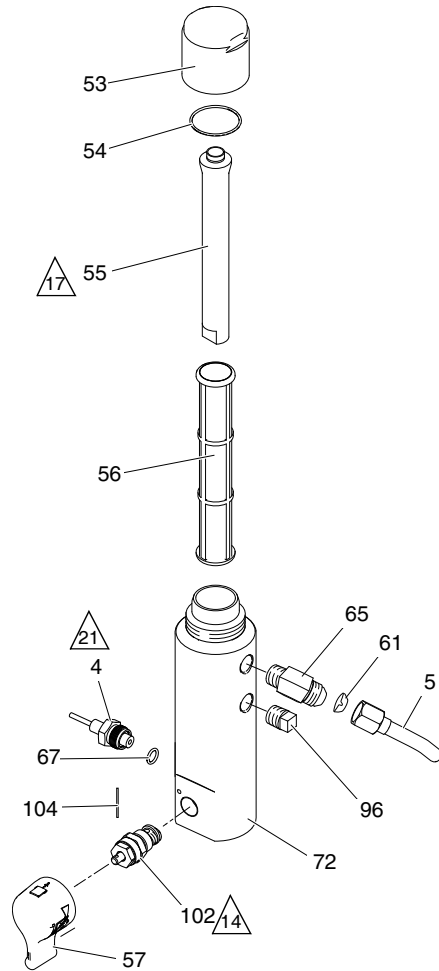
Control Box 25P549



Parts List - Control Box 25P549

| Ref. | Part | Description | Qty. | Ref. | Part | Description | Qty. |
|------|--------|----------------------------|------|------|--------|---|------|
| 70 | 25P549 | CONTROL BOX, GMAX 3400 | | 70r | 119545 | BUSHING, strain, relief | 1 |
| 70a | 24U346 | BOX | 1 | 71 | 116585 | SCREW, pan, X recess, sst | 2 |
| 70b | 25P550 | KIT, repair, control board | 1 | 73 | 116585 | SCREW, pan, X recess, sst (5900 Convertible) | 4 |
| 70c | 117317 | SCREW, plastite, pan head | 4 | | 113160 | SCREW, mach, slot, hex wash hd | 4 |
| 70d | 256219 | POTENTIOMETER | 1 | 74 | 15C973 | GASKET | 1 |
| 70e | 198650 | SPACER, shaft | 1 | 120 | 16Y415 | GASKET, transducer | 1 |
| 70f | 116752 | SWITCH, rocker | 1 | 130 | 119545 | BUSHING, strain, relief | 1 |
| 70h | 116167 | KNOB, potentiometer | 1 | | | | |
| 70n | 16Y782 | LABEL, brand | 1 | | | | |

Filter



**5900/7900
ProContractor Only**

t123005b

Parts List - Filter

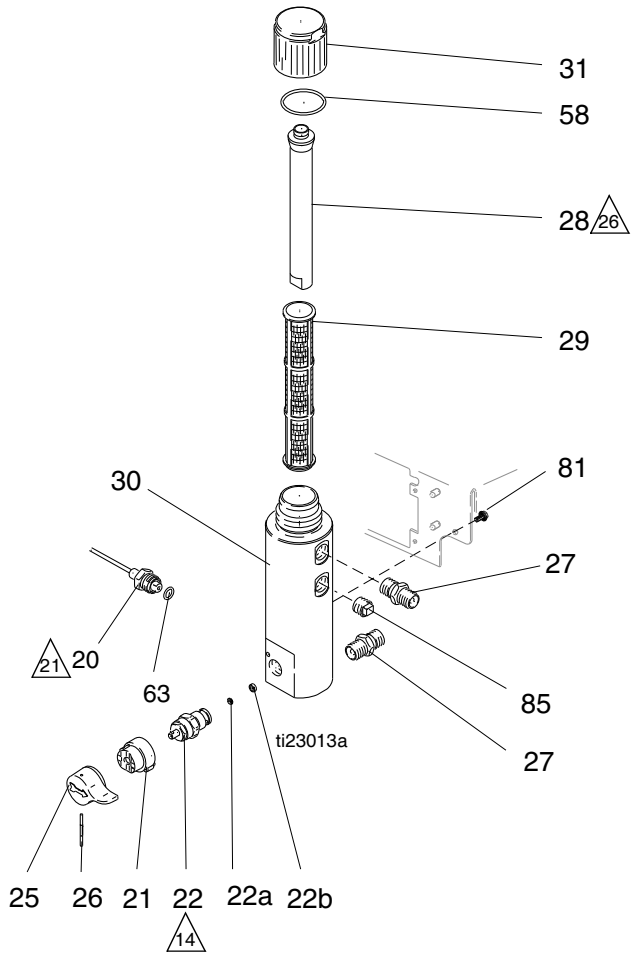
| Ref. | Part | Description | Qty. |
|------|--------|---|------|
| 4 | 243222 | TRANSDUCER, pressure control <i>includes 63</i> | 1 |
| 5 | 16C381 | TUBE, GMAX 5900/7900 (ProContractor) | 1 |
| | 16C384 | TUBE, GMAX 3900 (ProContractor) | 1 |
| 53 | 287285 | CAP, filter, <i>includes 54, 55</i> | 1 |
| 54 | 117285 | PACKING, o-ring | 1 |
| 55 | 15C766 | TUBE, diffusion | 1 |
| 56 | 244067 | FILTER, fluid | 1 |
| 57 | 24E234 | KIT, handle 2 position | 1 |
| 61 | 123739 | SEAL, fitting, flared | 1 |
| 65 | 122533 | FITTING, 45 deg elbow (ProConnect) | 1 |
| | 162485 | FITTING, adapter (7900, IronMan) | 1 |
| | 196177 | FITTING, adapter (3900/5900 Standard, Convertible and Lo-Boy) | 1 |
| | 196178 | FITTING, adapter (5900 IronMan/ 7900 Standard/5900HD/7900HD Standard) | 1 |

| Ref. | Part | Description | Qty. |
|------|--------|---|------|
| 67 | 111457 | PACKING, o-ring | 1 |
| 72 | 15E284 | HOUSING, filter | 1 |
| 96 | 15G331 | PLUG, pipe | 1 |
| 102 | 257352 | VALVE, prime, heavy duty, <i>includes 57, 104</i> | 1 |
| 104 | 15C972 | PIN, spring | 1 |

Part Specifications:

| Ref. | Instruction |
|------|---|
| △4 | Torque to 130-150 in-lb (14.6-16.9 N•m) |
| △7 | Torque to 90-110 in-lb (10.1-12.4 N•m) |
| △21 | Torque to 35-45 ft-lb (47.4-61.0 N•m) |

Filter (3400 Models only)



Parts List - Filter

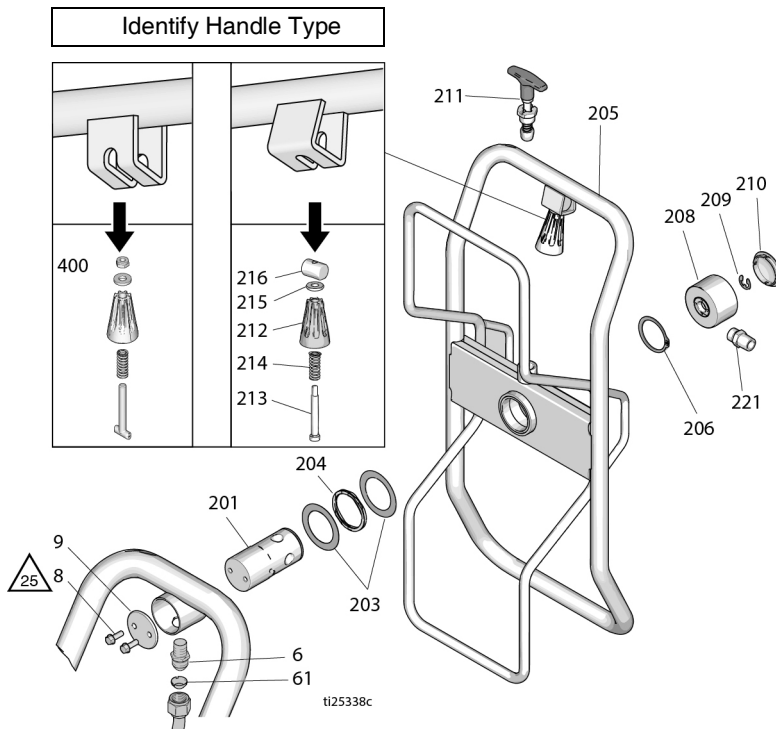
| Ref. | Part | Description | Qty. |
|------|--------|---|------|
| 20 | 243222 | TRANSDUCER, pressure control, includes 63 | 1 |
| 21 | 224807 | BASE, valve | 1 |
| 22 | 235014 | VALVE, drain, includes 22a, 22b | 1 |
| 25 | 15C780 | HANDLE, | 1 |
| 26 | 15C972 | PIN, grooved | 1 |
| 27 | 196177 | NIPPLE, adapter | 2 |
| 28 | 15C766 | TUBE, diffusion | 1 |
| 29 | 244067 | FILTER, fluid | 1 |
| 30 | 15E284 | HOUSING, filter | 1 |

| Ref. | Part | Description | Qty. |
|------|--------|------------------------------|------|
| 31 | 287285 | CAP, filter, includes 28, 58 | 1 |
| 58 | 117285 | O-RING | 1 |
| 63 | 111457 | O-RING | 1 |
| 81 | 113161 | SCREW, flange, hex hd | 3 |
| 85 | 15G331 | PLUG, pipe | 1 |

Part Specifications:

| Ref. | Instruction |
|------|---|
| 14 | Torque to 130-150 in-lb (14.6-16.9 N•m) |
| 21 | Torque to 35-45 ft-lb (47.4-61.0 N•m) |
| 26 | Torque to 90-110 in-lb (10.1-12.4 N•m) |


Hose Reel (ProContractor Sprayers)



Parts List - Hose Reel (ProContractor Sprayers)

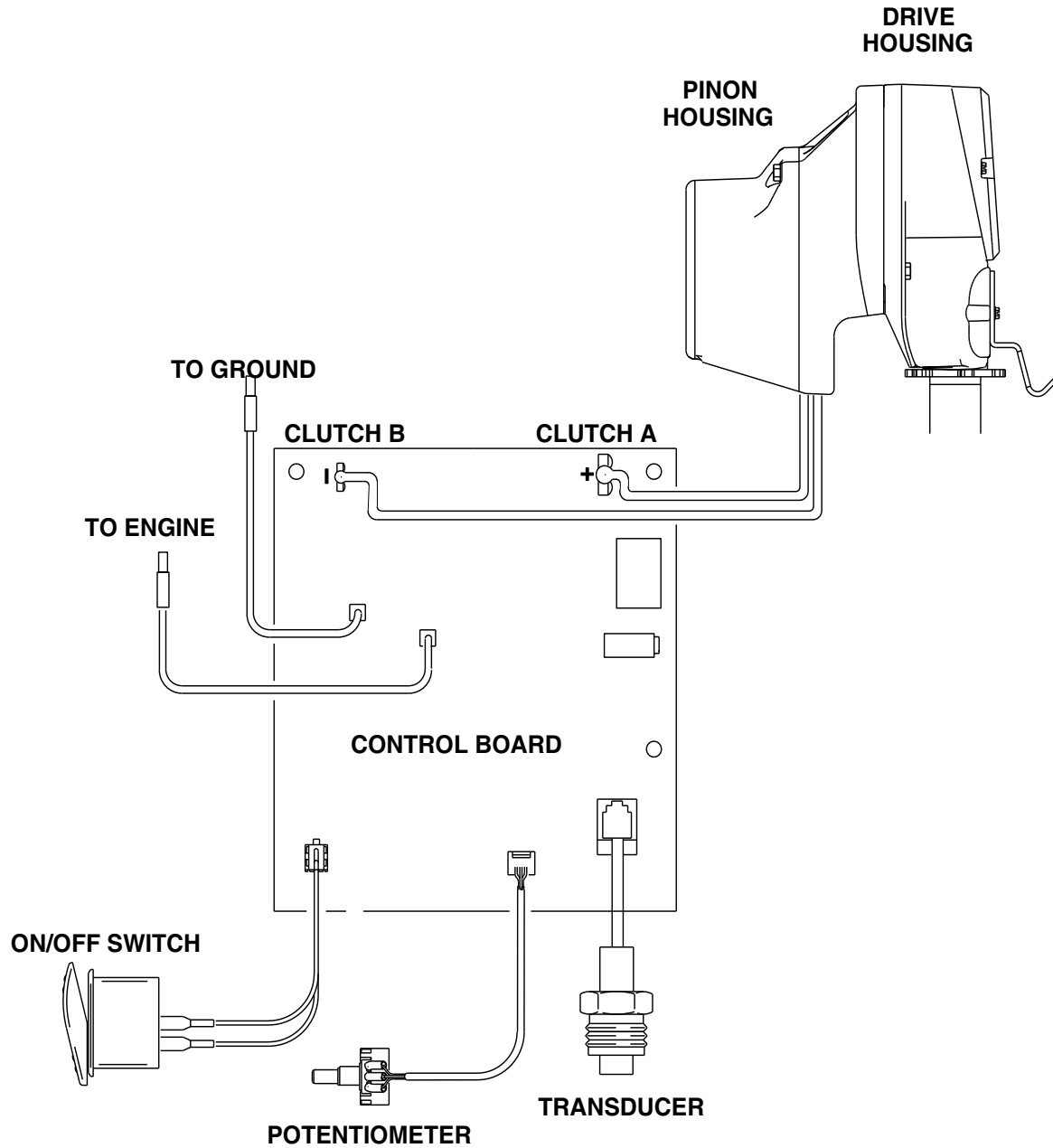
| Ref. | Part | Description | Qty. | Ref. | Part | Description | Qty. |
|------|---------|-------------------------------|------|------|---------|---|------|
| 6 | 121311 | FITTING, connector, NPT x JIC | 1 | 213 | 122518 | SCREW, shoulder, sch | 1 |
| 8 | 260212 | SCREW, hex washer hd | 2 | 214 | 122542 | SPRING, die | 1 |
| 9 | 16C975 | PLATE, pivot mount | 1 | 215 | 122669 | WASHER, flat | 1 |
| 61 | 123739 | SEAL, fitting, flared | 1 | 216 | 15X618 | NUT, swivel, handle | 1 |
| 201 | 24E016 | TUBE, hose reel, pivot | 1 | 221 | 164672 | ADAPTER (3900/5900 ProContractor only) | 1 |
| 203 | 122607 | WASHER, flat | 2 | | 162485 | ADAPTER | 1 |
| 204 | 122534 | SPRING, wave | 1 | 400 | 2009285 | KIT, handle | 1 |
| 205* | 2009286 | KIT, hose reel | 1 | | | | |
| 206 | 122524 | RING, retaining, external | 1 | | | | |
| 208 | 24B248 | CAP, swivel, complete | 1 | | | | |
| 209 | 122347 | RING, retaining, external | 1 | | | | |
| 210 | 122787 | CAP | 1 | | | | |
| 211 | 24E400 | PIN, pop, lock out | 1 | | | | |
| 212 | 278085 | HANDLE, swivel | 1 | | | | |

* Includes 2009285

 Torque to 120-130 in-lb (13.5-14.6 N·m)

Pressure Control Wiring Diagrams

GMAX 3400 Sprayers



All written and visual data contained in this document reflects the latest product information available at the time of publication. Graco reserves the right to make changes at any time without notice.

Original instructions. This manual contains English. MM 332921

Graco Headquarters: Minneapolis
International Offices: Belgium, China, Japan, Korea

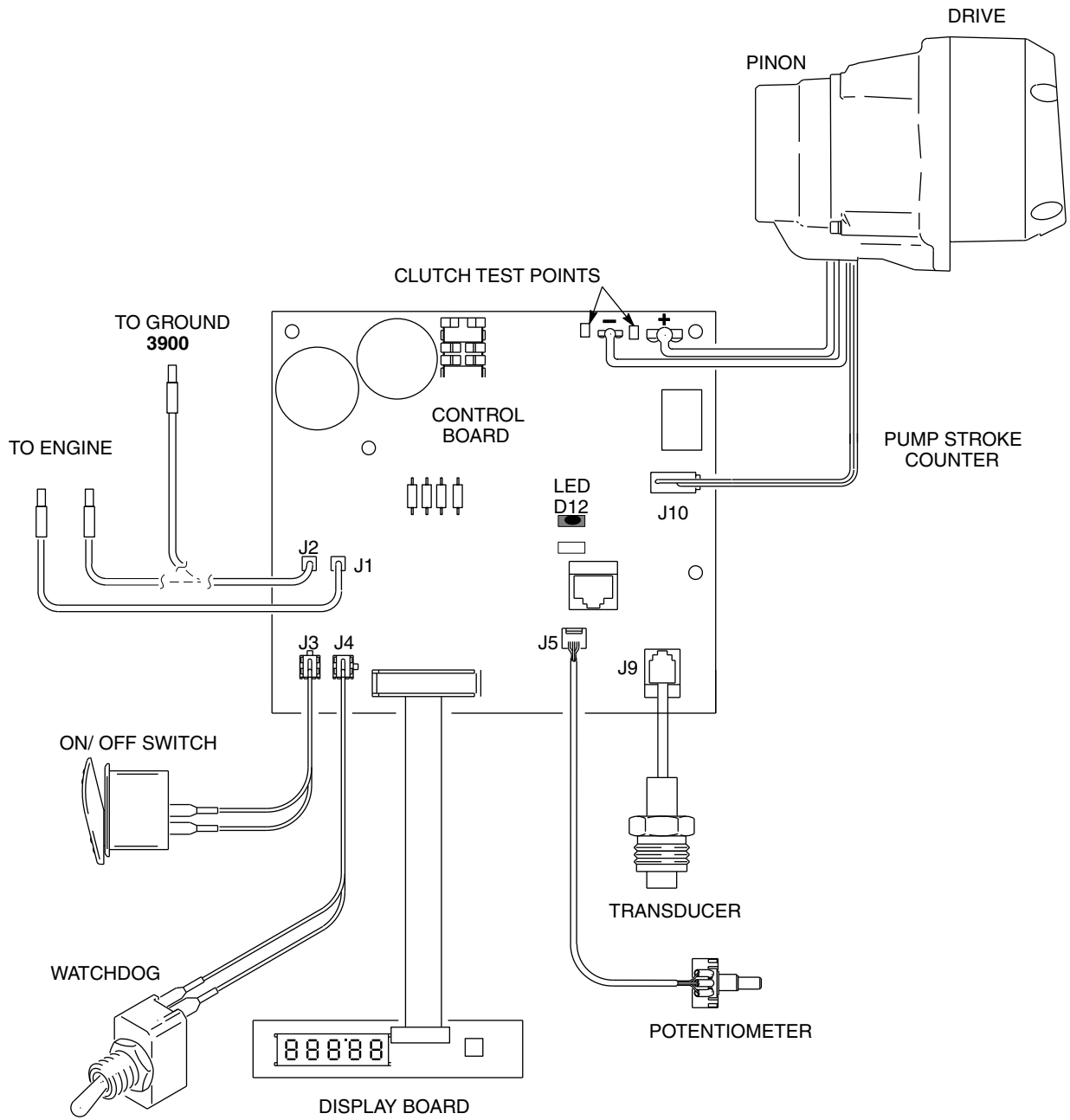
GRACO INC. AND SUBSIDIARIES • P.O. BOX 1441 • MINNEAPOLIS MN 55440-1441 • USA

Copyright 2014, Graco Inc. All Graco manufacturing locations are registered to ISO 9001.

www.graco.com

Revision L, November 2024

3900/5900/7900 Sprayers



Graco Standard Warranty

Graco warrants all equipment referenced in this document which is manufactured by Graco and bearing its name to be free from defects in material and workmanship on the date of sale to the original purchaser for use. With the exception of any special, extended, or limited warranty published by Graco, Graco will, for a period of twelve months from the date of sale, repair or replace any part of the equipment determined by Graco to be defective. This warranty applies only when the equipment is installed, operated and maintained in accordance with Graco's written recommendations.

This warranty does not cover, and Graco shall not be liable for general wear and tear, or any malfunction, damage or wear caused by faulty installation, misapplication, abrasion, corrosion, inadequate or improper maintenance, negligence, accident, tampering, or substitution of non-Graco component parts. Nor shall Graco be liable for malfunction, damage or wear caused by the incompatibility of Graco equipment with structures, accessories, equipment or materials not supplied by Graco, or the improper design, manufacture, installation, operation or maintenance of structures, accessories, equipment or materials not supplied by Graco.

This warranty is conditioned upon the prepaid return of the equipment claimed to be defective to an authorized Graco distributor for verification of the claimed defect. If the claimed defect is verified, Graco will repair or replace free of charge any defective parts. The equipment will be returned to the original purchaser transportation prepaid. If inspection of the equipment does not disclose any defect in material or workmanship, repairs will be made at a reasonable charge, which charges may include the costs of parts, labor, and transportation.

THIS WARRANTY IS EXCLUSIVE, AND IS IN LIEU OF ANY OTHER WARRANTIES, EXPRESS OR IMPLIED, INCLUDING BUT NOT LIMITED TO WARRANTY OF MERCHANTABILITY OR WARRANTY OF FITNESS FOR A PARTICULAR PURPOSE.

Graco's sole obligation and buyer's sole remedy for any breach of warranty shall be as set forth above. The buyer agrees that no other remedy (including, but not limited to, incidental or consequential damages for lost profits, lost sales, injury to person or property, or any other incidental or consequential loss) shall be available. Any action for breach of warranty must be brought within two (2) years of the date of sale.

GRACO MAKES NO WARRANTY, AND DISCLAIMS ALL IMPLIED WARRANTIES OF MERCHANTABILITY AND FITNESS FOR A PARTICULAR PURPOSE, IN CONNECTION WITH ACCESSORIES, EQUIPMENT, MATERIALS OR COMPONENTS SOLD BUT NOT MANUFACTURED BY GRACO. These items sold, but not manufactured by Graco (such as electric motors, switches, hose, etc.), are subject to the warranty, if any, of their manufacturer. Graco will provide purchaser with reasonable assistance in making any claim for breach of these warranties.

In no event will Graco be liable for indirect, incidental, special or consequential damages resulting from Graco supplying equipment hereunder, or the furnishing, performance, or use of any products or other goods sold hereto, whether due to a breach of contract, breach of warranty, the negligence of Graco, or otherwise.

FOR GRACO CANADA CUSTOMERS

The Parties acknowledge that they have required that the present document, as well as all documents, notices and legal proceedings entered into, given or instituted pursuant hereto or relating directly or indirectly hereto, be drawn up in English. Les parties reconnaissent avoir convenu que la rédaction du présente document sera en Anglais, ainsi que tous documents, avis et procédures judiciaires exécutés, donnés ou intentés, à la suite de ou en rapport, directement ou indirectement, avec les procédures concernées.

Graco Information

For the latest information about Graco products, visit www.graco.com.

For patent information, see www.graco.com/patents.

TO PLACE AN ORDER, contact your Graco distributor or call 1-800-690-2894 to identify the nearest distributor.

*All written and visual data contained in this document reflects the latest product information available at the time of publication.
Graco reserves the right to make changes at any time without notice.*

Original instructions. This manual contains English. MM 332921

Graco Headquarters: Minneapolis

International Offices: Belgium, China, Japan, Korea

GRACO INC. AND SUBSIDIARIES • P.O. BOX 1441 • MINNEAPOLIS MN 55440-1441 • USA

Copyright 2014, Graco Inc. All Graco manufacturing locations are registered to ISO 9001.

www.graco.com

Revision L, November 2024