

# Instructions

# GREASE JOCKEY



## Right Steering Assist Kit

Part No. 563862

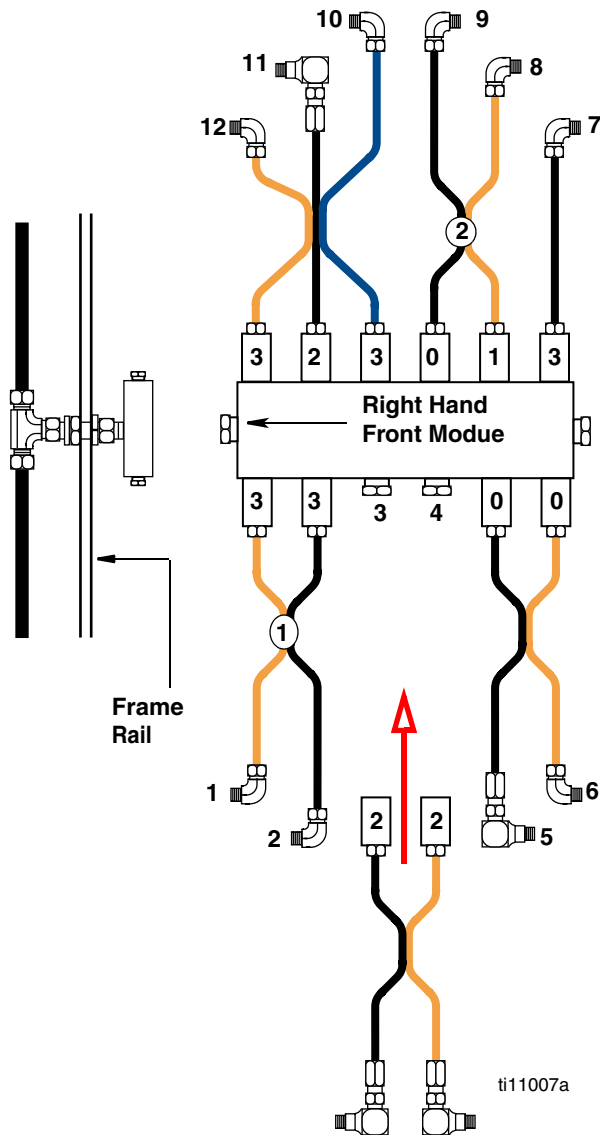


### Important Safety Instructions

Read all warnings and instructions in this manual. Save these instructions.

312514B  
Bulletin GJ-30015  
ENG

## Typical Layout



## Installation Instructions

### Cylinder Style

1. Remove plugs from ports #3 and #4 and replace with the #2 meters included in kit.
2. Include both tubes in the tied bundle for the steering and brake devices.
3. Run the other line up to the front mount for the steering assist cylinder. Be sure to support the line every 12-15 inches.

Point No.	Description	Meter Size	Tube Color	Bundle & Marking	Recommended Fitting P/N
ADDERS TO RIGHT FRONT MODULE					
3	FRONT STEERING ASSIST	2	Black	2-tube	15K740 Elbow and 556644 Connector
4	FRONT STEERING ASSIST	2	Orange	Unmarked	15K740 Elbow and 556644 Connector

## Graco Information and Warranty

Please contact Graco Customer Service for all inquiries regarding service, replacement parts and warranties.  
For the latest information about Graco products, visit [www.graco.com](http://www.graco.com)

**TO PLACE AN ORDER**, contact your Graco distributor or call to identify the nearest distributor.  
**Phone:** 612-623-6928 **or Toll Free:** 1-800-533-9655, **Fax:** 612-378-3590

*All written and visual data contained in this document reflects the latest product information available at the time of publication.  
Graco reserves the right to make changes at any time without notice.*

*Original instructions. This manual contains English. MM 312514 GJ30015*

**Graco Headquarters:** Minneapolis

**International Offices:** Belgium, China, Japan, Korea

**GRACO INC. P.O. BOX 1441 MINNEAPOLIS, MN 55440-1441**

Copyright 2009, Graco Inc. is registered to ISO 9001

[www.graco.com](http://www.graco.com)

3/2009, revised 10/2010