

Hopper Bag Roller

311535E

EN

- Hopper bag roller accessory for high production plastering applications -

Models 289587, 17Z539



Important Safety Instructions

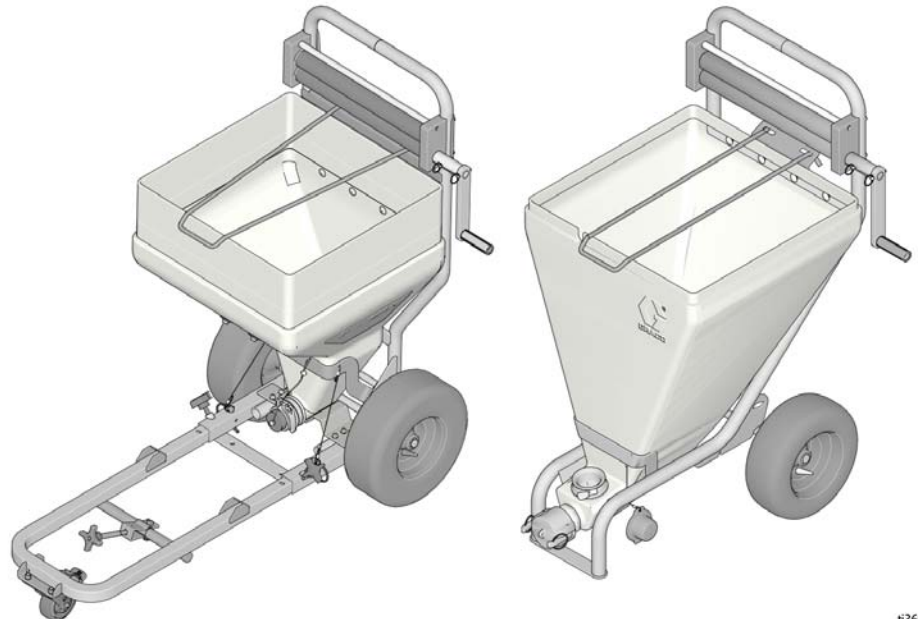
Read all warnings and instructions in 311421 manual.
Save these instructions



311534

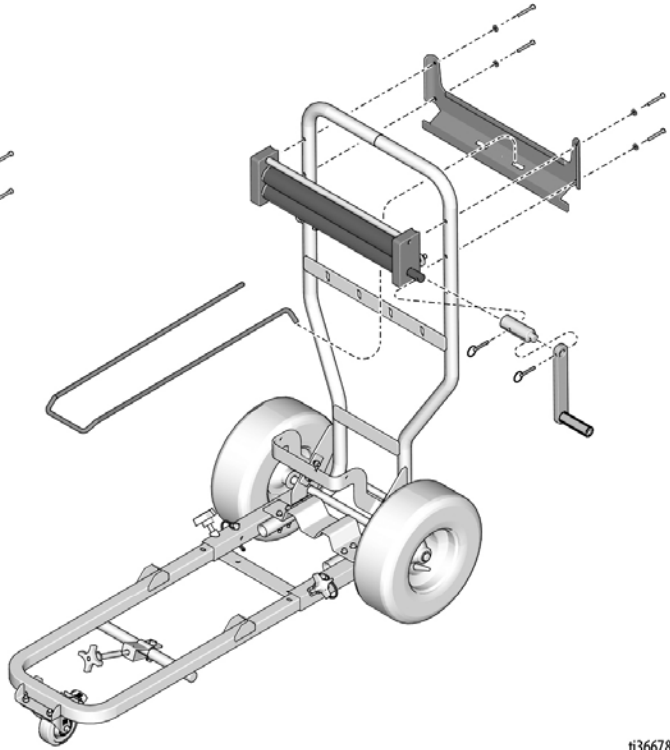
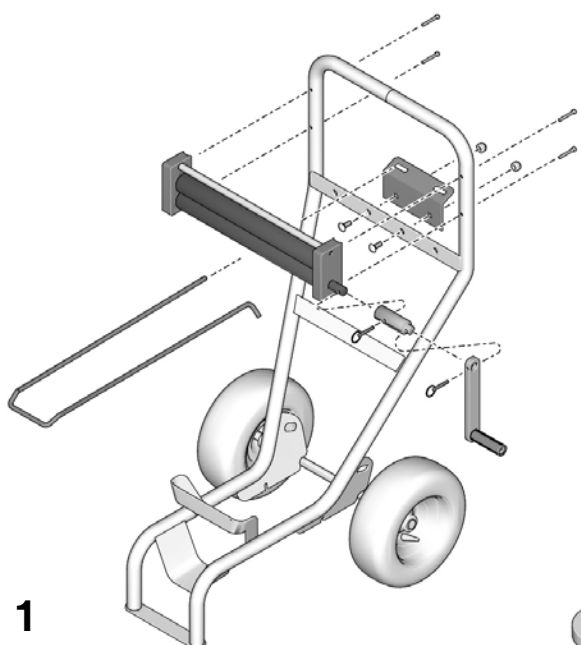


311421

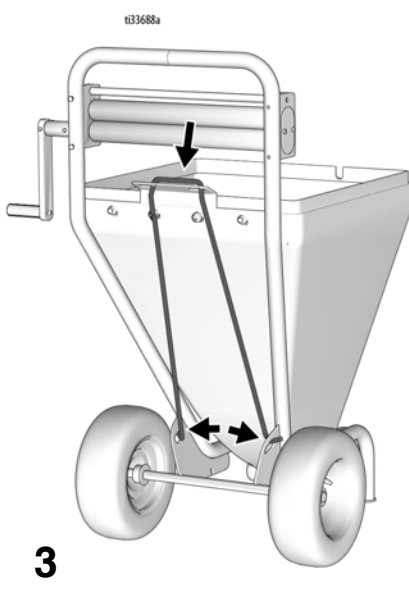
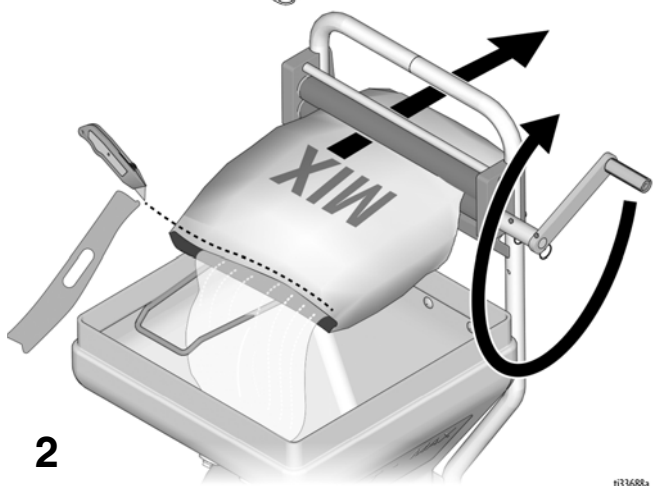


t36677a

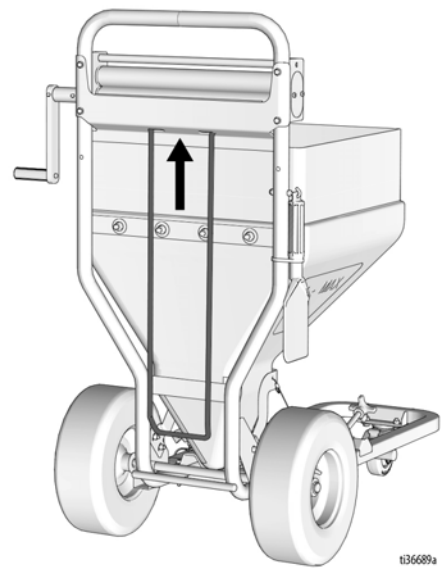
PROVEN QUALITY. LEADING TECHNOLOGY.



ti36678a



ti36688a



ti36689a

Instructions

Mount Bag Roller on Texture Hopper

- 1 Remove bag roller from crate.
- 2 Reference **Parts**, page 5.
- 3 Fig. 1. Install bag roller on texture hopper handle with four screws (16).
- 4 Install spacer (24) to bag roller with ring detent pin (11).
- 5 Install crank handle (13) to to crank arm (12) with shoulder screw (14).
- 6 Install assembled crank arm to spacer with ring detent pin (11).
- 7 Mount rack plate (21) to hopper with two bolts (22) and nuts (23). (This step does not apply to model 17Z539)

Operation

- 1 Fig. 2. Feed bottom of bag into bag roller. Turn crank handle enough to start to pull bag through rollers. cut off top of bag.
- 2 Turn crank handle and squeeze contents of bag into texture hopper.

Clean Up

- 1 Clean rollers.

CAUTION
Sharp corners of scrapers can gouge the plastic of the hopper and, in time, cause leaks.

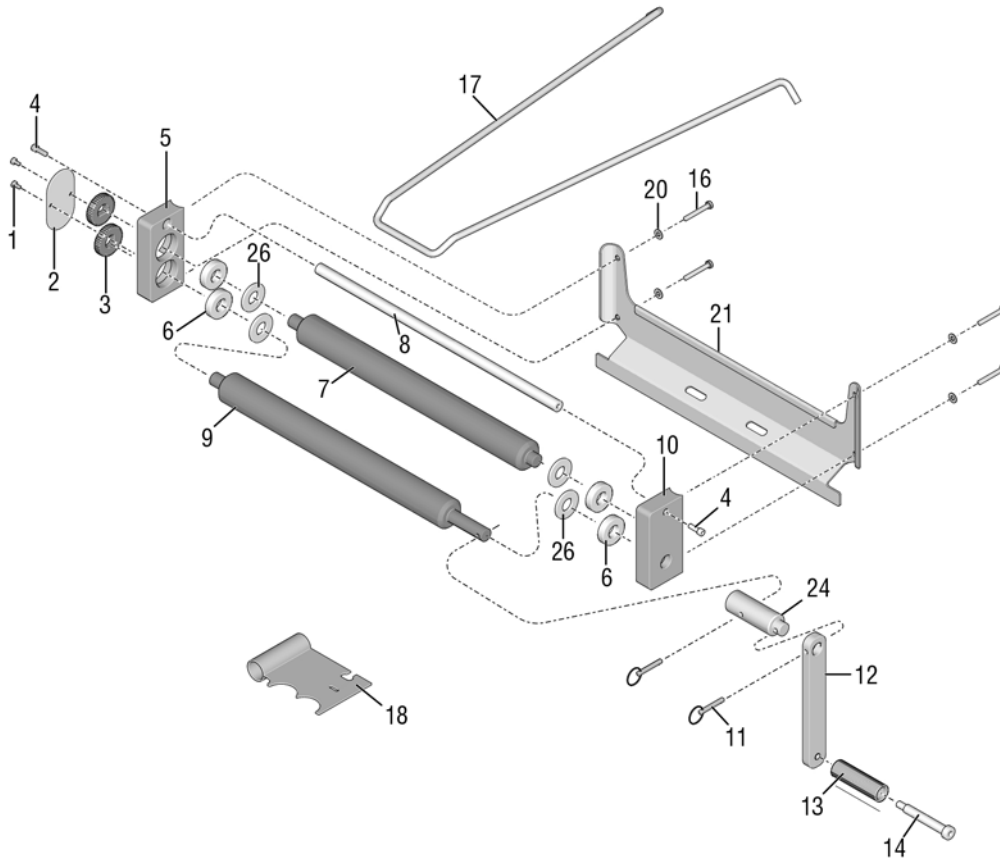
- 2 Scrape dry, hard material in hopper with plastic scraper.
- 3 Flush residue with water.

Storage

- 1 Fig. 3. Slide bag rack back through plate holes.*
- 2 Squeeze ends and insert into gusset.

* Model 17Z539 doesn't have plate holes. The bag rack stores inside the fame.

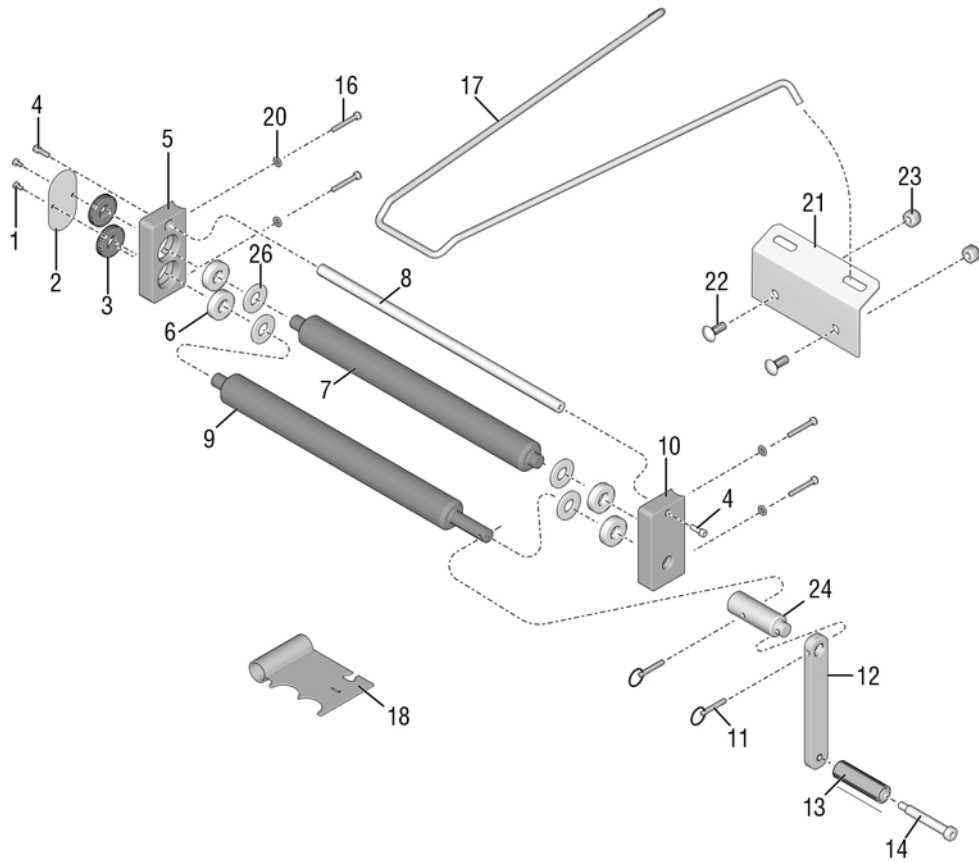
Parts: Model 17Z539



t136690a

Ref	Part	Description	Qty	Ref	Part	Description	Qty
1	110637	SCREW, mach, pnhd	2	13	15C681	HANDLE, crank	1
2	15C680	PLATE, cover	1	14	118519	SCREW, shoulder, socket head	1
3	15C547	GEAR, roller	2	15	70386	LUBRICANT, grease, EP	1
4	112166	SCREW, cap, sch	2	16	115138	SCREW, cap, hex hd	4
5	15R679	BLOCK, gears mounting	1	17	15H235	RACK, bag	1
6	121326	BEARING, sleeve	4	18	15D949	TOOL, multi-purpose	1
7	15R710	ROLLER, top	1	20	110755	WASHER, plain	4
8	15C923	BRACE, bagroller	1	21	15T332	PLATE, rack	1
9	15R729	ROLLER, bottom	1	24	15E031	SPACER, handle, extension	1
10	15R678	BLOCK, rollers mounting	1	26	121333	WASHER, foam	4
11	118558	PIN, quick release, hitch	2				
12	15C487	ARM, crank	1				

Parts: Model 289587



ti36710a

Ref	Part	Description	Qty	Ref	Part	Description	Qty
1	110637	SCREW, mach, pnhd	2	12	15C487	ARM, crank	1
2	15C680	PLATE, cover	1	13	15C681	HANDLE, crank	1
3	15C547	GEAR, roller	2	14	118519	SCREW, shoulder, socket head	1
4	112166	SCREW, cap, sch	2	15	70386	LUBRICANT, grease, EP	1
5	15R679	BLOCK, gears mounting	1	16	121532	SCREW, cap, hex hd	4
6	121326	BEARING, sleeve	4	17	15H235	RACK, bag	1
7	15R710	ROLLER, top	1	18	15D949	TOOL, multi-purpose	1
8	15C923	BRACE, bagroller	1	20	100086	WASHER, plain	4
9	15R729	ROLLER, bottom	1	21	15H344	PLATE, rack	1
10	15R678	BLOCK, rollers mounting	1	22	15E031	SPACER, handle, extension	1
11	118558	PIN, quick release, hitch	2	23	121333	WASHER, foam	4

TO PLACE AN ORDER, contact your Graco distributor, or call **1-800-690-2894** to identify the nearest distributor.

This manual contains English. MM 311535

Graco Headquarters: Minneapolis
International Offices: Belgium, China, Japan, Korea
GRACO INC. P.O. BOX 1441 MINNEAPOLIS, MN 55440-1441
www.graco.com
Revision E, March 2021