

# GH733, GH833, GH933, GH2570 og GH5040 OEM sett

311531G  
NO

*- Brukes til sprøyting av dekkmalings for bygninger, tak og installasjoner under bakkenivå -*

## **GH733: Del nr. 24U326**

Maksimalt arbeidstrykk 4000 psi (27,6 MPa, 275,8 bar) (materialets arbeids PSI)

## **GH833: Del nr. 249767, 253473**

Maksimalt arbeidstrykk 4000 psi (27,6 MPa, 275,8 bar) (materialets arbeids PSI)

## **GH933: Del nr. 24U328**

Maksimalt arbeidstrykk 7250 psi (50 MPa, 500 bar) (materialets arbeids PSI)

## **GH2570: Del nr. 24U325**

Maksimalt arbeidstrykk 2500 psi (17,2 MPa, 172 bar) (materialets arbeids PSI)

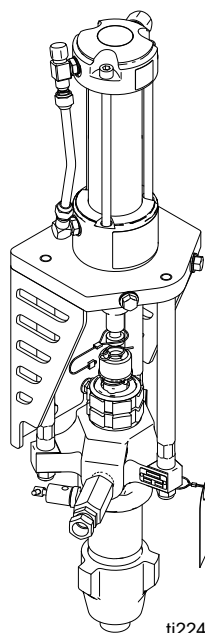
## **GH5040: Del nr. 24U327**

Maksimalt arbeidstrykk 5000 psi (34,5 MPa, 345 bar)(materialets arbeids PSI)

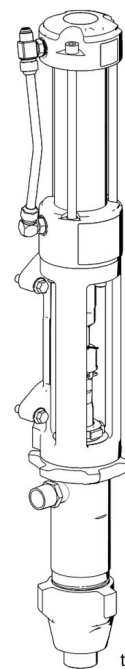


### **Viktige sikkerhetsinstruksjoner**

Les alle advarsler og instruksjoner i denne håndboken. Ta vare på disse instruksjonene.



ti22404a



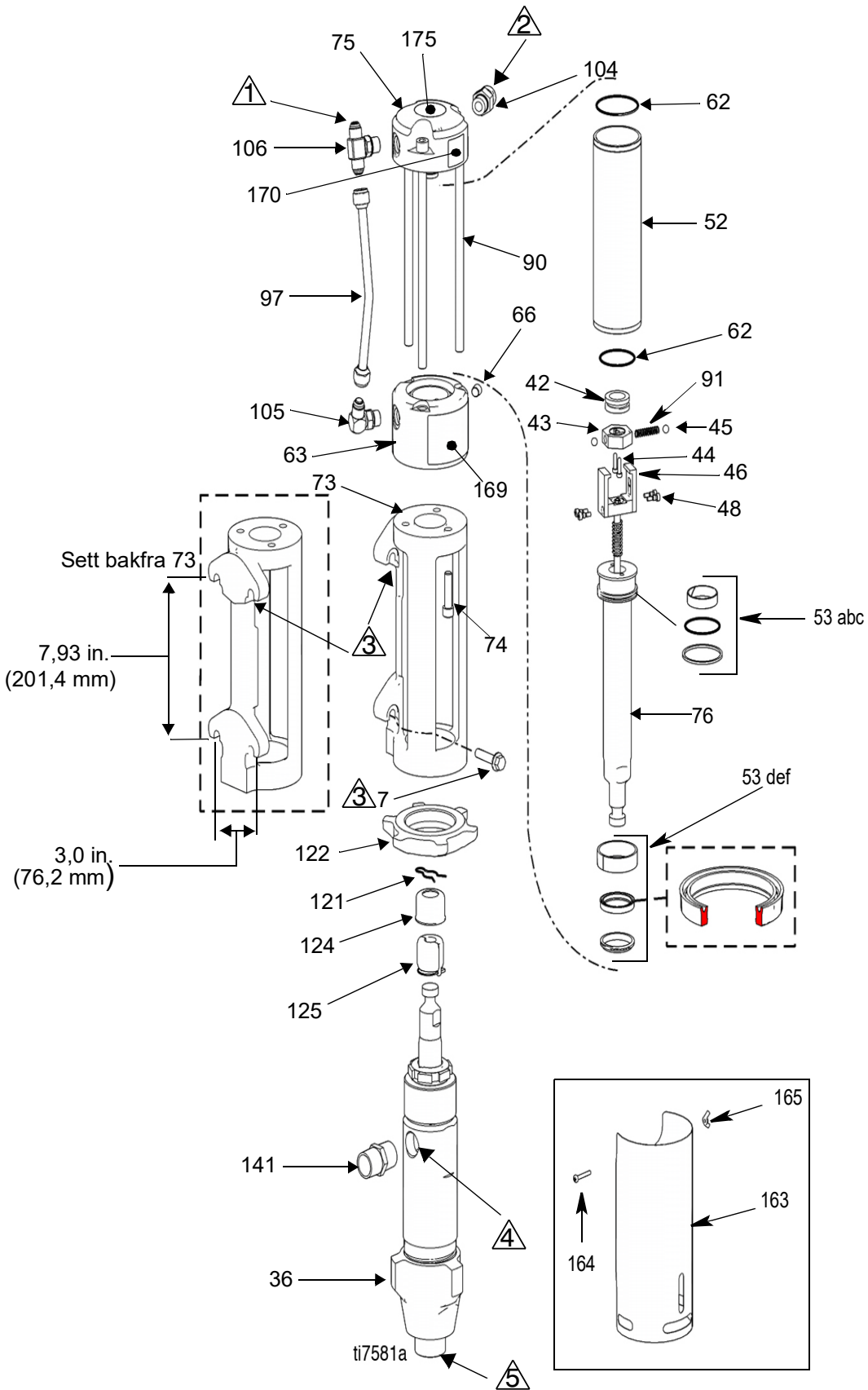
ti7580a

# Deler

## GH833: Del nr. 249767, 253473

FN	Part No.	Description	Qty	FN	Part No.	Description	Qty
7*	120226	SCREW, hex hd, flange	4	106*	117609	FITTING, tee, branch, str thd	1
36	287834	KIT, pump, displacement, includes 141	1	121*	116407	CLIP, hairpin	1
40*	116554	WASHER, flat	1	122	15G204	NUT, retaining	1
42	15G501	SLEEVE, valve, hydr, motor	1	124	197340	COVER, coupler	1
43	15G503	STOP, valve, hydraulic motor	1	125*	244819	COUPLING, assembly	1
44	15D256	SCREW, cap, sch	2	141	15H335	FITTING, nipple, 1 in. npt, includes 36	1
45	101947	BALL, bearing	2	169*	16U557	LABEL, front	1
46	15G270	YOKE, arm, hydraulic motor	2	170	15G878	LABEL, Graco logo	1
48	105270	SCREW, shoulder, sch	4	175*	15B063	LABEL, warning	1
52*	287869	CYLINDER, hydraulic motor	1	163‡	15H201	SHIELD, pump	1
53	287870	KIT, repair, packing, hydraulic, includes 62	1	164‡	111235	SCREW, mach, pnh	1
53a		BEARING, piston	1	165‡	120317	NUT, wing	1
53b		O-RING, piston	1	<i>Fare- og advarselmerker, merkelapper og kort leveres gratis.</i>			
53c		SEAL, piston, hydraulic motor	1	‡ <i>Brukes på modell 253473.</i>			
53d		SEAL, rod	1	* <i>Inkludert i Hydraulisk Motor Reparasjonssett 24Y566</i>			
53e		BEARING, rod	1	<b>Del Beskrivelse</b>			
53f		WIPER, rod	1	△	HYDRAULISK INNTAK, 3/4 in. - 16 UNF 2A, 37° trompetformet m/utvendige gjenger		
62*	116084	PACKING, o-ring	2	△	HYDRAULISK RETUR, 1-1/6 in. - 12 UN 2A, 37° trompetformet m/utvendige gjenger		
63*	15G559	HOUSING, hydraulic motor, lower	1	△	MONTERINGSHULL, 4X, 7/16 in. - 14 UNC 2B, flenshode, hodeskruer, 1-3/4 in. lang anbefalt (Graco PN 120226)		
66*	101970	PLUG, pipe	1	△	1 in. - 11-1/2 NPT m/innv. gjenger		
73*	15G639	ADAPTER, hydraulic motor/pump	1	△	1-1/2 in. - 11-1/2 NPT m/utv. gjenger		
74*	120202	SCREW, cap sch	3				
75	288061	CAP, hydraulic head, includes 175	1				
76	287868	PISTON, hydraulic	1				
90*	120138	SCREW, cap, socket head	3				
91	120146	SPRING, compression	1				
97*	287841	TUBE	1				
104*	120065	FITTING, hydraulic	1				
105*	117607	FITTING, elbow std thd	1				

# GH833: Del nr. 249767, 253473



## GH733: Del nr. 24U326

FN	Part No.	Description	Qty	FN	Part No.	Description	Qty
1	16U773	BRACKET, mount pump, painted	1	45	101947	BALL, bearing	2
2*	116554	WASHER, flat	1	46	15G270	YOKE, arm, hydraulic motor	2
3*	C20019	SCREW, cap, socket head	1	48	105270	SCREW, shoulder, sch	4
4	111802	SCREW, cap, hex head	2	53	287870	KIT, repair, packing, hydraulic,	1
5	109570	WASHER, plain	2			includes 6	
6*	116084	PACKING, o-ring	2	53a		BEARING, piston	1
7*	287869	KIT, repair, cylinder, hydraulic (4GPM)	1	53b		O-RING, piston	1
8*	15G559	HOUSING, hydraulic motor, lower	1	53c		SEAL, piston, hydraulic motor	1
9	16U336	ROD, tie	3	53d		SEAL, rod	1
10	101712	NUT, lock	3	53e		BEARING, rod	1
11*	287868	KIT, repair, piston/rod, hydraulic	1	53f		WIPER, rod	1
12	16U937	FITTING, tee, NTP, 1 X 3/4 X 3/8	1	91	120146	SRPING, compression	1
13	157785	FITTING, swivel	1				
14	245143	VALVE, pressure, bleed	1				
21*	120138	SCREW, cap, socket head	3				
23	L250C1	LOWER, xtreme, 250, NF, seal	1				
24*	120202	SCREW, cap sch	3				
25*	244819	COUPLING, assembly, 145-290 XT	1				
26*	197340	COVER, coupler	1				
27	244820	CLIP, hairpin (w/ lanyard)	1				
29*	117607	FITTING, elbow std thd	1				
30*	101970	PLUG, pipe hdls	1				
31*	117609	FITTING, tee, branch, str thd	1				
32*	120065	FITTING, hydraulic	1				
34*	287841	TUBE, rigid, hydraulic	1				
35	288061	CAP, hydraulic head, includes 38	1				
36*	16U557	LABEL, brand	1				
37*	15G878	LABEL, Graco logo	1				
38*	15B063	LABEL, warning, hot surface	1				
39*	120226	SCREW, hex hd, flange	4				
40*	15H108	LABEL, pinch point	1				
42	15G501	SLEEVE, valve, hydr, motor	1				
43	15G503	STOP, valve, hydraulic motor	1				
44	15D256	SCREW, cap, sch	2				

*Fare- og advarselmerker, merkelapper og kort leveres gratis.*

*\* Inkludert i Hydraulisk Motor Reparasjonssett 24Y566*

**Del Beskrivelse**

- ⚠ HYDRAULISK INNTAK, 3/4 in. - 16 UNF 2A, 37° trompetformet m/utvendige gjenger
- ⚠ HYDRAULISK RETUR, 1-1/6 in. - 12 UN 2A, 37° trompetformet m/utvendige gjenger
- ⚠ MONTERINGSHULL, 4X, 7/16 in. - 14 UNC 2B, flenshode, hodeskruer, 1-3/4 in. lang anbefalt (Graco PN 120226)
- ⚠ 1.0 in. NPT m/innv. gjenger
- ⚠ 0.75 in. NPS kvinnelige svivel (med montering som levert)
- ⚠ 1.25 in. NPT m/utv. gjenger

## GH5040: Del nr. 24U327

FN	Part No.	Description	Qty	FN	Part No.	Description	Qty
1	16U773	BRACKET, mount, pump, paint	1	44	15D256	SCREW, cap, sch	2
4	111802	SCREW, cap, hex hd	2	45	101947	BALL, bearing	2
5	109570	WASHER, plain	2	46	15G270	YOKE, arm, hydraulic motor	2
6*	116084	PACKING, o-ring	2	48	105270	SCREW, shoulder, sch	4
7*	287869	KIT, repair, cylinder, hydraulic (4GPM)	1	53	287870	KIT, repair, packing, hydraulic, includes 6	1
8*	15G559	HOUSING, hydraulic motor, lower	1	53a		BEARING, piston	1
9	16U336	ROD, tie	3	53b		O-RING, piston	1
10	101712	NUT, lock	3	53c		SEAL, piston, hydraulic motor	1
11*	287868	KIT, repair, piston/rod, hydraulic	1	53d		SEAL, rod	1
12	16U937	FITTING, tee, NPT, 1 X 3/4 X 3/8	1	53e		BEARING, rod	1
13	157785	FITTING, swivel	1	53f		WIPER, rod	1
14	245143	VALVE, pressure, bleed	1	91	120146	SRPING, compression	1
21*	120138	SCREW, cap, socket head	3				
23	L220C1	LOWER, xtreme, 220, NF, xseal	1				
24*	120202	SCREW, cap sch	3				
25*	244819	COUPLING, assembly, 145-290 Xtreme	1				
26	197340	COVER, coupler	1				
27	244820	CLIP, hairpin (w/ lanyard)	1				
28	116976	FITTING, elbow, 90 deg., female	1				
29*	117607	FITTING, elbow, std thd	1				
30*	101970	PLUG, pipe, hdls	1				
31*	117609	FITTING, tee, branch, std thd	1				
32*	120065	FITTING, hydraulic	1				
34*	287841	TUBE, rigid, hydraulic	1				
35	288061	CAP, hydraulic head, includes 38	1				
36*	16U557	LABEL, brand	1				
37*	15G878	LABEL, Graco logo	1				
38*	15B063	LABEL, warning, hot surface	1				
39*	120226	SCREW, hed hd, flange	4				
40*	15H108	LABEL, pinch point	1				
42	15G501	SLEEVE, valve, hydr, motor	1				
43	15G503	STOP, valve, hydraulic motor	1				

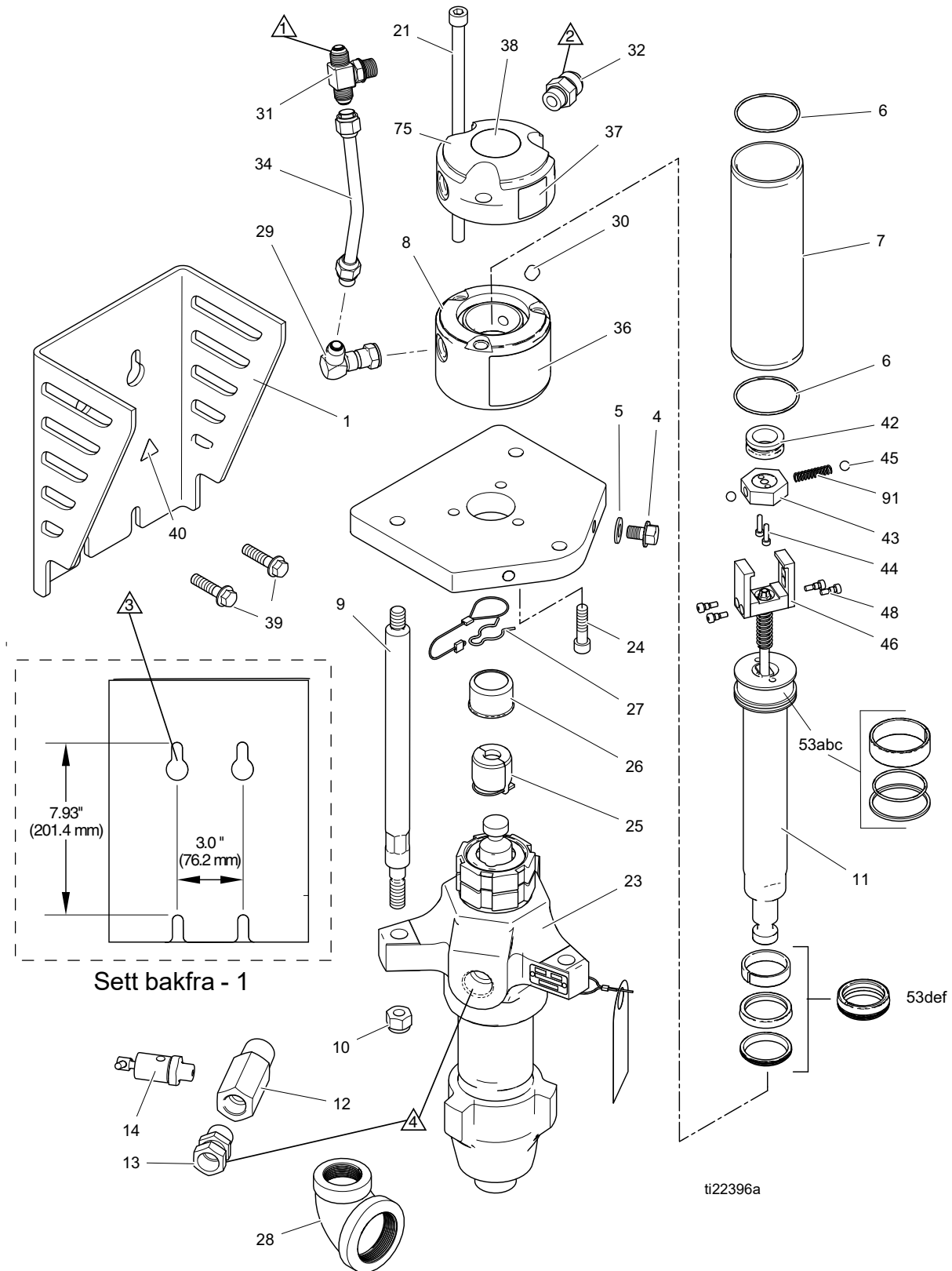
*Fare- og advarselsmerker, merkelapper og kort leveres gratis.*

*\* Inkludert i Hydraulisk Motor Reparasjonssett 24Y566*

### Del Beskrivelse

- ⚠ HYDRAULISK INNTAK, 3/4 in. - 16 UNF 2A, 37° trompetformet m/utvendige gjenger
- ⚠ HYDRAULISK RETUR, 1-1/6 in. - 12 UN 2A, 37° trompetformet m/utvendige gjenger
- ⚠ MONTERINGSHULL, 4X, 7/16 in. - 14 UNC 2B, flenshode, hodeskrue, 1-3/4 in. lang anbefalt (Graco PN 120226)
- ⚠ 1.0 in. NPT m/innv. gjenger
- ⚠ 0.75 in. NPS kvinnelige svivel (med montering som levert)
- ⚠ 1.25 in. NPT m/utv. gjenger

# GH733: Del nr. 24U326 og GH5040: Del nr. 24U327





**GH2570: Del nr. 24U325**

FN	Part No.	Description	Qty	FN	Part No.	Description	Qty
1	16U773	BRACKET, mount, pump, painted	1	42	15G501	SLEEVE, valve, hydr, motor	1
4	111802	SCREW, cap, hex hd	2	43	15G503	STOP, valve, hydraulic motor	1
5*	109570	WASHER, plain	2	44	15D256	SCREW, cap, sch	2
6*	116084	PACKING, o-ring	2	45	101947	BALL, bearing	2
7*	287869	KIT, repair, cylinder, hydraulic (4GPM)	1	46	15G270	YOKE, arm, hydraulic motor	2
8*	15G559	HOUSING, hydraulic motor, lower	1	48	105270	SCREW, shoulder, sch	4
9	16U339	ROD, tie	3	49	184278	TOOL, wrench, packing nut	1
10	101712	NUT, lock	3	53	287870	KIT, repair, packing, hydraulic, includes 6	1
11*	287868	KIT, repair, piston/rod, hydraulic	1	53a		BEARING, piston	1
12	111337	FITTING, tee, street	1	53b		O-RING, piston	1
13	157785	FITTING, swivel	1	53c		SEAL, piston, hydraulic motor	1
14	224441	VALVE, ball	1	53d		SEAL, rod	1
15	100505	BUSHING, pipe	1	53e		BEARING, rod	1
16	156172	FITTING, union, swivel	1	53f		WIPER, rod	1
17	184470	FITTING, outlet	1	91	120146	SPRING, compression	1
21*	120138	SCREW, cap, socket head	3				
22	184096	NUT, coupling	1				
23	222796	PUMP, recip, displ (18cm-cstl)	1				
24*	120202	SCREW, cap sch	3				
25	184130	COLLAR, coupling	2				
26	16U420	COUPLER, rod, pump	1				
27	16U421	COLLAR, coupling, rod, pump	2				
28	100088	ELBOW, street, pipe, 90 de	1				
29*	117607	FITTING, elbow std thd	1				
30*	101970	PLUG, pipe, hdls	1				
31*	117609	FITTING, tee, branch, str thd	1				
32*	120065	FITTING, hydraulic	1				
33	109213	PACKING, o-ring	1				
34*	287841	TUBE, rigid, hydraulic	1				
35	288061	CAP, hydraulic head, includes 38	1				
36*	16U557	LABEL, brand	1				
37*	15G878	LABEL, Graco logo	1				
38*	15B063	LABEL, warning, hot surface	1				
39*	120226	SCREW, hex hd, flange	4				
40*	15H108	LABEL, pinch point	1				

*Fare- og advarselmerker, merkelapper og kort leveres gratis.*

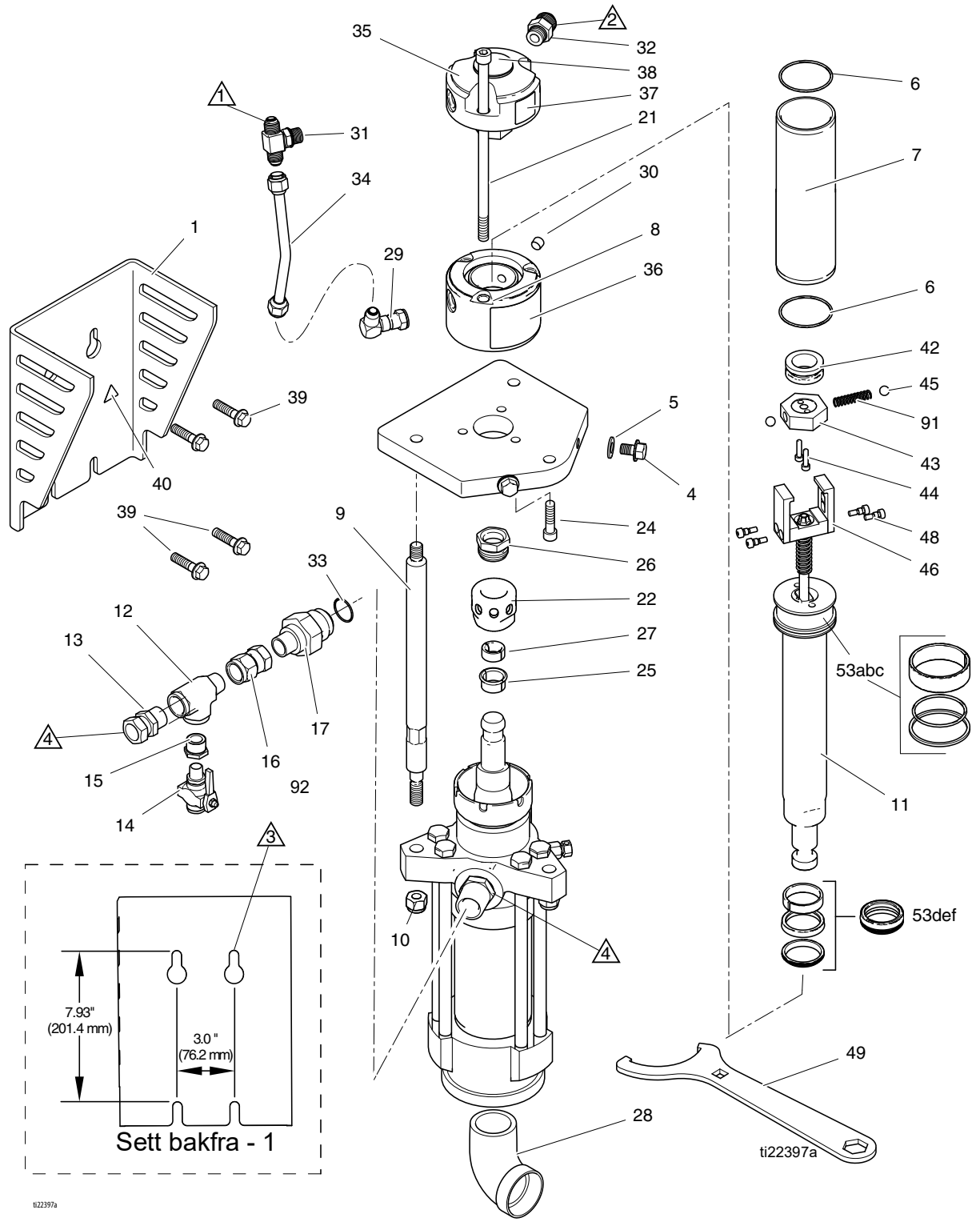
*\* Inkludert i Hydraulisk Motor Reparasjonssett 24Y566*

**Del Beskrivelse**

- ⚠ HYDRAULISK INNTAK, 3/4 in. - 16 UNF 2A, 37° trompetformet m/utvendige gjenger
- ⚠ HYDRAULISK RETUR, 1-1/6 in. - 12 UN 2A, 37° trompetformet m/utvendige gjenger
- ⚠ MONTERINGSHULL, 4X, 7/16 in. - 14 UNC 2B, flenshode, hodeskruer, 1-3/4 in. lang anbefalt (Graco PN 120226)
- ⚠ 1.5 in. NPT m/utv. gjenger
- ⚠ 0.75 in. NPS kvinnelige svivel (med montering som levert)
- ⚠ 2.0 in. NPT m/innv. gjenger



# GH2570: Del nr. 24U325



ti22397a

**GH933: Del nr. 24U328**

FN	Part No.	Description	Qty
1	16U773	BRACKET, mount, pump, painted	1
2*	116554	WASHER, flat	1
3*	C20019	SCREW, cap socket head	1
4	111802	SCREW, cap, hex hd	2
5	109570	WASHER, plain	2
6*	116084	PACKING, o-ring	2
7*	287869	KIT, repair, cylinder, hydraulic (4GPM)	1
8*	15G559	HOUSING, hydraulic motor, lower	1
9	16U336	ROD, tie	3
10	101712	NUT, lock	3
11*	287868	KIT, repair, piston/rod, hydraulic	1
21*	120138	SCREW, cap, socket head	3
23	L145C2	LOWER, xtreme, 145, w/ filter, xseal	1
24*	120202	SCREW, cap sch	3
25*	244819	COUPLING, assembly, 145-290 xtreme	1
26*	197340	COVER, coupler	1
27	244820	CLIP, hairpin (w/ lanyard)	1
28	116401	ADAPTER, elbow	1
29*	117607	FITTING, elbow std thd	1
30*	101970	PLUG, pipe, hdls	1
31*	117609	FITTING, tee, branch, str thd	1
32*	120065	FITTING, hydraulic	1
34*	287841	TUBE, rigid, hydraulic	1
35	288061	CAP. hydraulic head, includes 38	1
36*	16U557	LABEL, brand	1
37*	15G878	LABEL, Graco logo	1
38*	15B063	LABEL, warning, hot surface	1
39*	120226	SCREW, hex hd, flange	4
40*	15H108	LABEL, pinch point	1
42	15G501	SLEEVE, valve, hydr, motor	1
43	15G503	STOP, valve, hydraulic motor	1
44	15D256	SCREW, cap, sch	2

FN	Part No.	Description	Qty
45	101947	BALL, bearing	2
46	15G270	YOKE, arm, hydraulic motor	2
48	105270	SCREW, shoulder, sch	4
53	287870	KIT, repair, packing, hydraulic, includes 6	1
53a		BEARING, piston	1
53b		O-RING, piston	1
53c		SEAL, piston, hydraulic motor	1
53d		SEAL, rod	1
53e		BEARING, rod	1
53f		WIPER, rod	1
91	120146	SPRING, compression	1

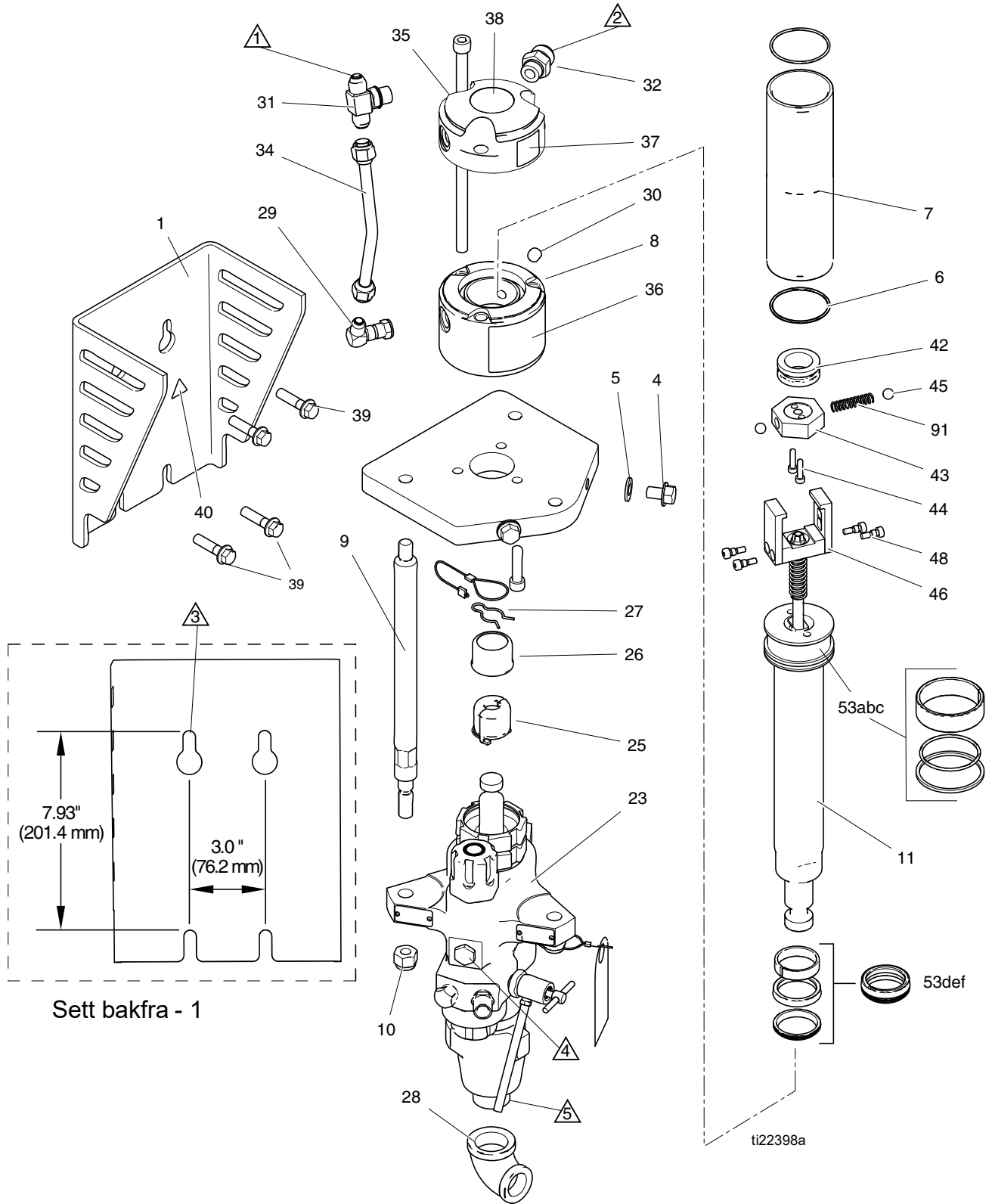
*Fare - og advarselsmerker, merkelapper og kort leveres gratis.*

*\* Inkludert i Hydraulisk Motor Reparasjonssett 24Y566*

**Del Beskrivelse**

- ① HYDRAULISK INNTAK, 3/4 in. - 16 UNF 2A, 37° trompetformet m/utvendige gjenger
- ② HYDRAULISK RETUR, 1-1/6 in. - 12 UN 2A, 37° trompetformet m/utvendige gjenger
- ③ MONTERINGSHULL, 4X, 7/16 in. - 14 UNC 2B, flenshode, hodeskrue, 1-3/4 in. lang anbefalt (Graco PN 120226)
- ④ 0.5 in. NPT m/utv. gjenger  
0.5 in. NPS kvinnelige svivel (med montering som levert)
- ⑤ 1.25 in. NPT m/innv. gjenger

# GH933: Del nr. 24U328



## Tekniske data

### **GH833: Del nr. 249767, 253473**

Forhold maling/hydraulikk	1,45:1
Informasjon lagt inn av brukeren	
<ul style="list-style-type: none"> <li>• Maks. hydraulisk trykk</li> <li>• Nødvendig hydraulisk flyt</li> </ul>	2750 psi (19,0 MPa, 190 bar) 6,25 gpm (23,6 lpm)
Maks. slag hastighet	64 spm
Utgående effekt	
<ul style="list-style-type: none"> <li>• Maks. Væsketrykk</li> <li>• Maks. flyt</li> </ul>	4000 psi (27,6 MPa, 276 bar) 4 gpm (15,1 lpm)
Dimensjoner	
Høyde	39,5 in. (1003 mm)
Bredde	7,5 in. (190,5 mm)
Dybde	5,5 in. (140 mm)
Vekt	63 lbs (28,6 kg)

### **GH733: Del nr. 24U326**

Forhold maling/hydraulikk	1,45:1
Informasjon lagt inn av brukeren	
<ul style="list-style-type: none"> <li>• Maks. hydraulisk trykk</li> <li>• Nødvendig hydraulisk flyt</li> </ul>	2750 psi (19,0 MPa, 190 bar) 6,25 gpm (23,6 lpm)
Maks. slag hastighet	64 spm
Utgående effekt	
<ul style="list-style-type: none"> <li>• Maks. Væsketrykk</li> <li>• Maks. flyt</li> </ul>	4000 psi (27,6 MPa, 276 bar) 4 gpm (15,1 lpm)
Dimensjoner	
Høyde	40 in. (1016 mm)
Bredde	9,0 in. (229 mm)
Dybde	8,8 in. (223,5 mm)
Vekt	99 lbs (41,9 kg)

### **GH5040: Del nr. 24U327**

Forhold maling/hydraulikk	1,82:1
Informasjon lagt inn av brukeren	
<ul style="list-style-type: none"> <li>• Maks. hydraulisk trykk</li> <li>• Nødvendig hydraulisk flyt</li> </ul>	2750 psi (19,0 MPa, 190 bar) 6,25 gpm (23,6 lpm)
Maks. slag hastighet	64 spm
Utgående effekt	
<ul style="list-style-type: none"> <li>• Maks. Væsketrykk</li> <li>• Maks. flyt</li> </ul>	5000 psi (34,5 MPa, 345 bar) 3,5 gpm (13,2 lpm)
Dimensjoner	
Høyde	43,3 in. (1099,8 mm)
Bredde	9,0 in. (229 mm)
Dybde	8,7 in. (221 mm)
Vekt	103 lbs (46,7 kg)

**GH2570: Del nr. 24U325**

Forhold maling/hydraulikk	0,9:1
Informasjon lagt inn av brukeren	
<ul style="list-style-type: none"> <li>• Maks. hydraulisk trykk</li> <li>• Nødvendig hydraulisk flyt</li> </ul>	2750 psi (19,0 MPa, 190 bar) 6,25 gpm (23,6 lpm)
Maks. slagghastighet	64 spm
Utgående effekt	
<ul style="list-style-type: none"> <li>• Maks. Væsketrykk</li> <li>• Maks. flyt</li> </ul>	2500 psi (17,2 MPa, 172 bar) 7 gpm (26,5 lpm)
Dimensjoner	
Høyde	47,1 in. (1196 mm)
Bredde	9,0 in. (229 mm)
Dybde	8,7 in. (221 mm)
Vekt	136 lbs (61,7 kg)

**GH933: Del nr. 24U328**

Forhold maling/hydraulikk	2,64:1
Informasjon lagt inn av brukeren	
<ul style="list-style-type: none"> <li>• Maks. hydraulisk trykk</li> <li>• Nødvendig hydraulisk flyt</li> </ul>	2750 psi (19,0 MPa, 190 bar) 6,25 gpm (23,6 lpm)
Maks. slagghastighet	64 spm
Utgående effekt	
<ul style="list-style-type: none"> <li>• Maks. Væsketrykk</li> <li>• Maks. flyt</li> </ul>	7250 psi (50 MPa, 500 bar) 2,5 gpm (9,5 lpm)
Dimensjoner	
Høyde	41,4 in. (1052 mm)
Bredde	9,17 in. (233 mm)
Dybde	9,6 in. (244 mm)
Vekt	103 lbs (46,7 kg)

For the latest information about Graco products, visit [www.graco.com](http://www.graco.com).

For patent information, see [www.graco.com/patents](http://www.graco.com/patents).

**TO PLACE AN ORDER**, contact your Graco distributor or call 1-800-690-2894 to identify the nearest distributor.

*All written and visual data contained in this document reflects the latest product information available at the time of publication.  
Graco reserves the right to make changes at any time without notice.*

For patentopplysninger, se [www.graco.com/patents](http://www.graco.com/patents).

Oversettelse av originale instruksjoner. This manual contains Norwegian. MM 311492

**Graco Headquarters:** Minneapolis

**International Offices:** Belgium, China, Japan, Korea

**GRACO INC. AND SUBSIDIARIES • P.O. BOX 1441 • MINNEAPOLIS MN 55440-1441 • USA**

**Copyright 2006, Graco Inc. All Graco manufacturing locations are registered to ISO 9001.**

[www.graco.com](http://www.graco.com)

Revised G, August 2022