

Anvisningar



GH733, GH833, GH933, GH2570 och GH5040 inbyggnadssats

311530G
SV

- För byggmålning, färger, taktäckning och målning på ytor under marknivå -

GH733: Artikelnr. 24U326

Max. arbetstryck 27,6 MPa, 275,8 bar (material)

GH833: Artikelnr. 249767, 253473

Max. arbetstryck 27,6 MPa, 275,8 bar (material)

GH933: Artikelnr. 24U328

Max. arbetstryck 50 MPa, 500 bar (material)

GH2570: Artikelnr. 24U325

Max. arbetstryck 17,2 MPa, 172 bar (material)

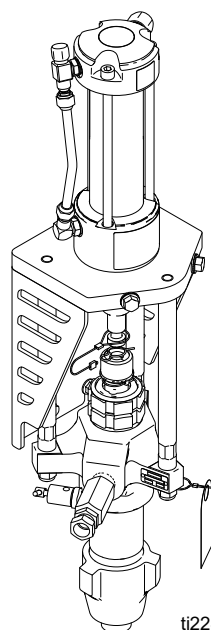
GH5040: Artikelnr. 24U327

Max. arbetstryck 34,5 MPa, 345 bar (material)

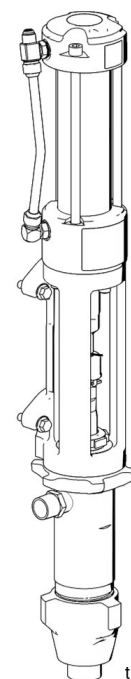


Viktiga säkerhetsföreskrifter

Läs alla meddelanden och föreskrifter i handboken.
Spara föreskrifterna.



ti22404a



ti7580a

PROVEN QUALITY. LEADING TECHNOLOGY.

Reservdelar

GH833: Artikelnr. 249767, 253473

| FN | Part No. | Description | Qty | FN | Part No. | Description | Qty |
|------|----------|--|-----|------|----------|---|-----|
| 7* | 120226 | SCREW, hex hd, flange | 4 | 106* | 117609 | FITTING, tee, branch, str thd | 1 |
| 36 | 287834 | KIT, pump, displacement, includes 141 | 1 | 121* | 116407 | CLIP, hairpin | 1 |
| 40* | 116554 | WASHER, flat | 1 | 122 | 15G204 | NUT, retaining | 1 |
| 42 | 15G501 | SLEEVE, valve, hydr, motor | 1 | 124 | 197340 | COVER, coupler | 1 |
| 43 | 15G503 | STOP, valve, hydraulic motor | 1 | 125* | 244819 | COUPLING, assembly | 1 |
| 44 | 15D256 | SCREW, cap, sch | 2 | 141 | 15H335 | FITTING, nipple, 1 in. npt, includes 36 | 1 |
| 45 | 101947 | BALL, bearing | 2 | 169* | 16U557 | LABEL, front | 1 |
| 46 | 15G270 | YOKE, arm, hydraulic motor | 2 | 170 | 15G878 | LABEL, Graco logo | 1 |
| 48 | 105270 | SCREW, shoulder, sch | 4 | 175* | 15B063 | LABEL, warning | 1 |
| 52* | 287869 | CYLINDER, hydraulic motor | 1 | 163‡ | 15H201 | SHIELD, pump | 1 |
| 53 | 287870 | KIT, repair, packing, hydraulic, includes 62 | 1 | 164‡ | 111235 | SCREW, mach, pnh | 1 |
| 53a | | BEARING, piston | 1 | 165‡ | 120317 | NUT, wing | 1 |
| 53b | | O-RING, piston | 1 | | | | |
| 53c | | SEAL, piston, hydraulic motor | 1 | | | | |
| 53d | | SEAL, rod | 1 | | | | |
| 53e | | BEARING, rod | 1 | | | | |
| 53f | | WIPER, rod | 1 | | | | |
| 62* | 116084 | PACKING, o-ring | 2 | | | | |
| 63* | 15G559 | HOUSING, hydraulic motor, lower | 1 | | | | |
| 66* | 101970 | PLUG, pipe | 1 | | | | |
| 73* | 15G639 | ADAPTER, hydraulic motor/pump | 1 | | | | |
| 74* | 120202 | SCREW, cap sch | 3 | | | | |
| 75 | 288061 | CAP, hydraulic head, includes 175 | 1 | | | | |
| 76 | 287868 | PISTON, hydraulic | 1 | | | | |
| 90* | 120138 | SCREW, cap, socket head | 3 | | | | |
| 91 | 120146 | SPRING, compression | 1 | | | | |
| 97* | 287841 | TUBE | 1 | | | | |
| 104* | 120065 | FITTING, hydraulic | 1 | | | | |
| 105* | 117607 | FITTING, elbow std thd | 1 | | | | |

Etiketter, skyltar och kort med varningssymboler och säkerhetsföreskrifter kan beställas kostnadsfritt.

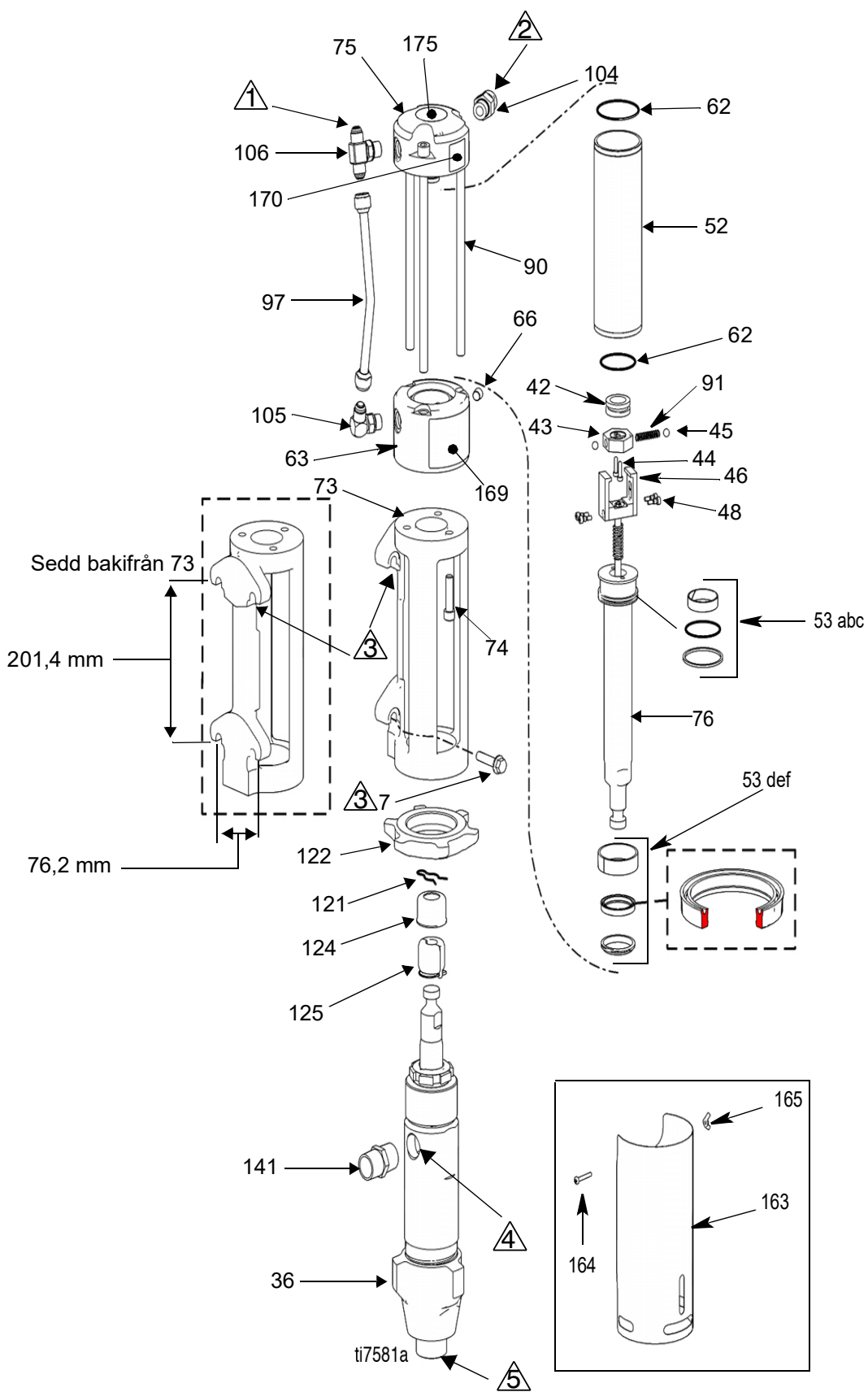
‡ Används till modell 253473.

* Ingår i Hydraulisk Motor Reparationssats 24Y566

Detalj Beskrivning

- △ HYDRAULINTAG, 3/4" - 16 UNF 2A, 37° hane med fläns
- △ HYDRAULRETUR, 1-1/6" - 12 UN 2A, 37° hane med fläns
- △ MONTERING, 4X, 7/16" - 14 UNC 2B, bult med brickhuvud, längd 45 mm, rekommenderas (Graco art.nr. 120226)
- △ 1" - 11-1/2 NPT hona
- △ 1,5" - 11-1/2 NPT hane

GH833: Artikelnr. 249767, 253473



GH733: Artikelnr. 24U326






| FN | Part No. | Description | Qty |
|-----|----------|---|-----|
| 1 | 16U773 | BRACKET, mount pump, painted | 1 |
| 2* | 116554 | WASHER, flat | 1 |
| 3* | C20019 | SCREW, cap, socket head | 1 |
| 4 | 111802 | SCREW, cap, hex head | 2 |
| 5 | 109570 | WASHER, plain | 2 |
| 6* | 116084 | PACKING, o-ring | 2 |
| 7* | 287869 | KIT, repair, cylinder, hydraulic (4GPM) | 1 |
| 8* | 15G559 | HOUSING, hydraulic motor, lower | 1 |
| 9 | 16U336 | ROD, tie | 3 |
| 10 | 101712 | NUT, lock | 3 |
| 11* | 287868 | KIT, repair, piston/rod, hydraulic | 1 |
| 12 | 16U937 | FITTING, tee, NTP, 1 X 3/4 X 3/8 | 1 |
| 13 | 157785 | FITTING, swivel | 1 |
| 14 | 245143 | VALVE, pressure, bleed | 1 |
| 21* | 120138 | SCREW, cap, socket head | 3 |
| 23 | L250C1 | LOWER, xtreme, 250, NF, seal | 1 |
| 24* | 120202 | SCREW, cap sch | 3 |
| 25* | 244819 | COUPLING, assembly, 145-290 XT | 1 |
| 26* | 197340 | COVER, coupler | 1 |
| 27 | 244820 | CLIP, hairpin (w/ lanyard) | 1 |
| 29* | 117607 | FITTING, elbow std thd | 1 |
| 30* | 101970 | PLUG, pipe hdls | 1 |
| 31* | 117609 | FITTING, tee, branch, str thd | 1 |
| 32* | 120065 | FITTING, hydraulic | 1 |
| 34* | 287841 | TUBE, rigid, hydraulic | 1 |
| 35 | 288061 | CAP, hydraulic head, includes 38 | 1 |
| 36* | 16U557 | LABEL, brand | 1 |
| 37* | 15G878 | LABEL, Graco logo | 1 |
| 38* | 15B063 | LABEL, warning, hot surface | 1 |
| 39* | 120226 | SCREW, hex hd, flange | 4 |
| 40* | 15H108 | LABEL, pinch point | 1 |
| 42 | 15G501 | SLEEVE, valve, hydr, motor | 1 |
| 43 | 15G503 | STOP, valve, hydraulic motor | 1 |
| 44 | 15D256 | SCREW, cap, sch | 2 |
| 45 | 101947 | BALL, bearing | 2 |

| FN | Part No. | Description | Qty |
|-----|----------|---|-----|
| 46 | 15G270 | YOKE, arm, hydraulic motor | 2 |
| 48 | 105270 | SCREW, shoulder, sch | 4 |
| 53 | 287870 | KIT, repair, packing, hydraulic, includes 6 | 1 |
| 53a | | BEARING, piston | 1 |
| 53b | | O-RING, piston | 1 |
| 53c | | SEAL, piston, hydraulic motor | 1 |
| 53d | | SEAL, rod | 1 |
| 53e | | BEARING, rod | 1 |
| 53f | | WIPER, rod | 1 |
| 91 | 120146 | SRPING, compression | 1 |

Etiketter, skyltar och kort med varningssymboler och säkerhetsföreskrifter kan beställas kostnadsfritt.

** Ingår i Hydraulisk Motor Reparationssats 24Y566*

Detalj Beskrivning

-  HYDRAULINTAG, 3/4" - 16 UNF 2A, 37° hane med fläns
-  HYDRAULRETUR, 1-1/6" - 12 UN 2A, 37° hane med fläns
-  MONTERING, 4X, 7/16" - 14 UNC 2B, bult med brickhuvud, längd 45 mm, rekommenderas (Graco art.nr. 120226)
-  25.4 mm NPT hona
19.05 mm NPS hona svivel (med montering vid leverans)
-  31.75 mm NPT hane






GH5040: Artikelnr. 24U327

| FN | Part No. | Description | Qty | FN | Part No. | Description | Qty |
|-----|----------|---|-----|-----|----------|---|-----|
| 1 | 16U773 | BRACKET, mount, pump, paint | 1 | 44 | 15D256 | SCREW, cap, sch | 2 |
| 4 | 111802 | SCREW, cap, hex hd | 2 | 45 | 101947 | BALL, bearing | 2 |
| 5 | 109570 | WASHER, plain | 2 | 46 | 15G270 | YOKE, arm, hydraulic motor | 2 |
| 6* | 116084 | PACKING, o-ring | 2 | 48 | 105270 | SCREW, shoulder, sch | 4 |
| 7* | 287869 | KIT, repair, cylinder, hydraulic (4GPM) | 1 | 53 | 287870 | KIT, repair, packing, hydraulic, includes 6 | 1 |
| 8* | 15G559 | HOUSING, hydraulic motor, lower | 1 | 53a | | BEARING, piston | 1 |
| 9 | 16U336 | ROD, tie | 3 | 53b | | O-RING, piston | 1 |
| 10 | 101712 | NUT, lock | 3 | 53c | | SEAL, piston, hydraulic motor | 1 |
| 11* | 287868 | KIT, repair, piston/rod, hydraulic | 1 | 53d | | SEAL, rod | 1 |
| 12 | 16U937 | FITTING, tee, NPT, 1 X 3/4 X 3/8 | 1 | 53e | | BEARING, rod | 1 |
| 13 | 157785 | FITTING, swivel | 1 | 53f | | WIPER, rod | 1 |
| 14 | 245143 | VALVE, pressure, bleed | 1 | 91 | 120146 | SRPING, compression | 1 |
| 21* | 120138 | SCREW, cap, socket head | 3 | | | | |
| 23 | L220C1 | LOWER, xtreme, 220, NF, xseal | 1 | | | | |
| 24* | 120202 | SCREW, cap sch | 3 | | | | |
| 25* | 244819 | COUPLING, assembly, 145-290 Xtreme | 1 | | | | |
| 26 | 197340 | COVER, coupler | 1 | | | | |
| 27 | 244820 | CLIP, hairpin (w/ lanyard) | 1 | | | | |
| 28 | 116976 | FITTING, elbow, 90 deg., female | 1 | | | | |
| 29* | 117607 | FITTING, elbow, std thd | 1 | | | | |
| 30* | 101970 | PLUG, pipe, hdls | 1 | | | | |
| 31* | 117609 | FITTING, tee, branch, std thd | 1 | | | | |
| 32* | 120065 | FITTING, hydraulic | 1 | | | | |
| 34* | 287841 | TUBE, rigid, hydraulic | 1 | | | | |
| 35 | 288061 | CAP, hydraulic head, includes 38 | 1 | | | | |
| 36* | 16U557 | LABEL, brand | 1 | | | | |
| 37* | 15G878 | LABEL, Graco logo | 1 | | | | |
| 38* | 15B063 | LABEL, warning, hot surface | 1 | | | | |
| 39* | 120226 | SCREW, hed hd, flange | 4 | | | | |
| 40* | 15H108 | LABEL, pinch point | 1 | | | | |
| 42 | 15G501 | SLEEVE, valve, hydr, motor | 1 | | | | |
| 43 | 15G503 | STOP, valve, hydraulic motor | 1 | | | | |

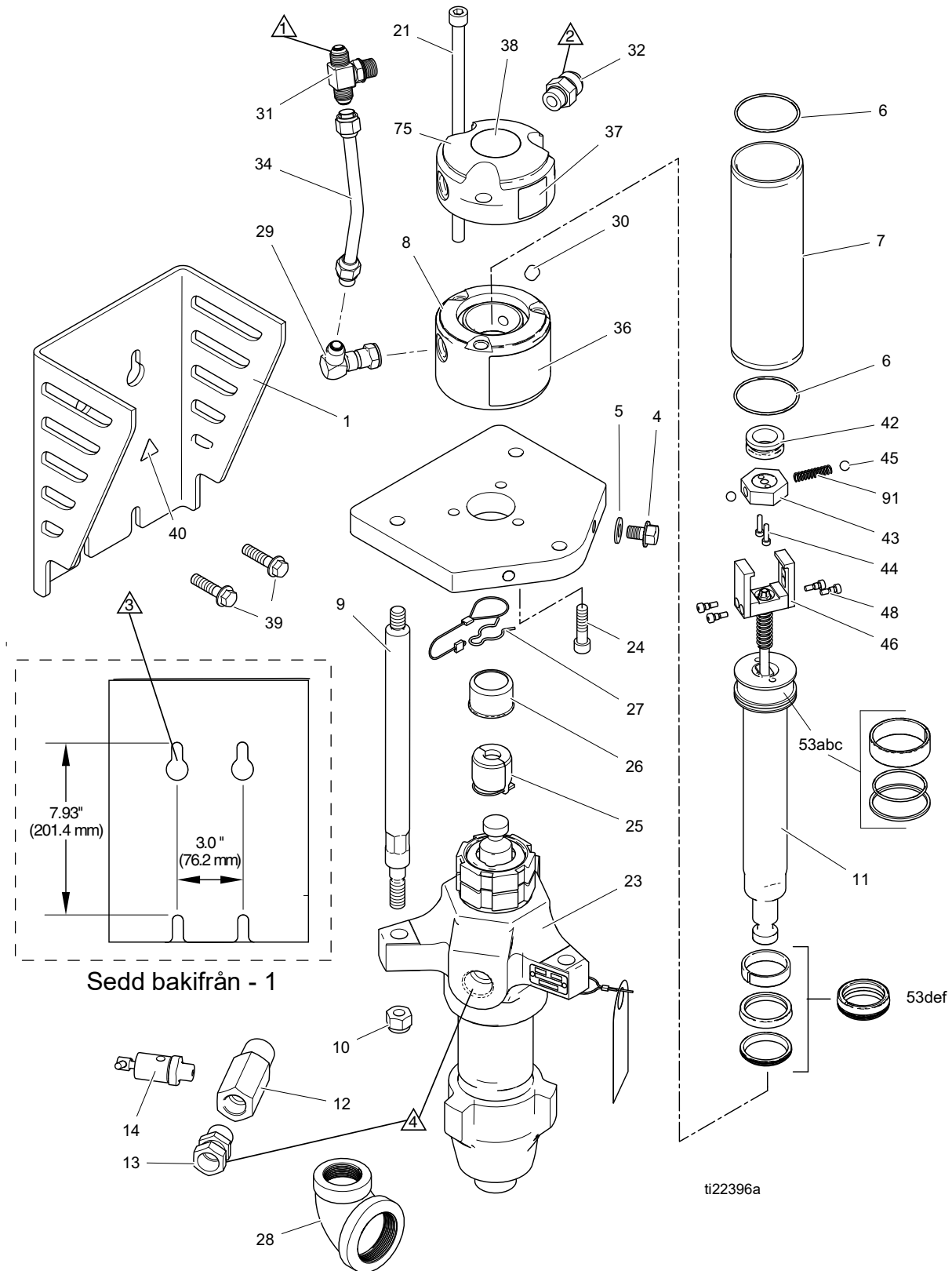
Etiketter, skyltar och kort med varningssymboler och säkerhetsföreskrifter kan beställas kostnadsfritt.

** Ingår i Hydraulisk Motor Reparationssats 24Y566*

Detalj Beskrivning

-  HYDRAULINTAG, 3/4" - 16 UNF 2A, 37° hane med fläns
-  HYDRAULRETUR, 1-1/6" - 12 UN 2A, 37° hane med fläns
-  MONTERING, 4X, 7/16" - 14 UNC 2B, bult med brickhuvud, längd 45 mm, rekommenderas (Graco art.nr. 120226)
-  25.4 mm NPT hona
19.05 mm NPS hona svivel (med montering vid leverans)
-  31.75 mm NPT hane

GH733: Artikelnr. 24U326 och GH5040: Artikelnr. 24U327



GH2570: Artikelnr. 24U325

| FN | Part No. | Description | Qty | FN | Part No. | Description | Qty |
|-----|----------|---|-----|-----|----------|---|-----|
| 1 | 16U773 | BRACKET, mount, pump, painted | 1 | 42 | 15G501 | SLEEVE, valve, hydr, motor | 1 |
| 4 | 111802 | SCREW, cap, hex hd | 2 | 43 | 15G503 | STOP, valve, hydraulic motor | 1 |
| 5* | 109570 | WASHER, plain | 2 | 44 | 15D256 | SCREW, cap, sch | 2 |
| 6* | 116084 | PACKING, o-ring | 2 | 45 | 101947 | BALL, bearing | 2 |
| 7* | 287869 | KIT, repair, cylinder, hydraulic (4GPM) | 1 | 46 | 15G270 | YOKE, arm, hydraulic motor | 2 |
| 8* | 15G559 | HOUSING, hydraulic motor, lower | 1 | 48 | 105270 | SCREW, shoulder, sch | 4 |
| 9 | 16U339 | ROD, tie | 3 | 49 | 184278 | TOOL, wrench, packing nut | 1 |
| 10 | 101712 | NUT, lock | 3 | 53 | 287870 | KIT, repair, packing, hydraulic, includes 6 | 1 |
| 11* | 287868 | KIT, repair, piston/rod, hydraulic | 1 | 53a | | BEARING, piston | 1 |
| 12 | 111337 | FITTING, tee, street | 1 | 53b | | O-RING, piston | 1 |
| 13 | 157785 | FITTING, swivel | 1 | 53c | | SEAL, piston, hydraulic motor | 1 |
| 14 | 224441 | VALVE, ball | 1 | 53d | | SEAL, rod | 1 |
| 15 | 100505 | BUSHING, pipe | 1 | 53e | | BEARING, rod | 1 |
| 16 | 156172 | FITTING, union, swivel | 1 | 53f | | WIPER, rod | 1 |
| 17 | 184470 | FITTING, outlet | 1 | 91 | 120146 | SPRING, compression | 1 |
| 21* | 120138 | SCREW, cap, socket head | 3 | | | | |
| 22 | 184096 | NUT, coupling | 1 | | | | |
| 23 | 222796 | PUMP, recip, displ (18cm-cstl) | 1 | | | | |
| 24* | 120202 | SCREW, cap sch | 3 | | | | |
| 25 | 184130 | COLLAR, coupling | 2 | | | | |
| 26 | 16U420 | COUPLER, rod, pump | 1 | | | | |
| 27 | 16U421 | COLLAR, coupling, rod, pump | 2 | | | | |
| 28 | 100088 | ELBOW, street, pipe, 90 de | 1 | | | | |
| 29* | 117607 | FITTING, elbow std thd | 1 | | | | |
| 30* | 101970 | PLUG, pipe, hdls | 1 | | | | |
| 31* | 117609 | FITTING, tee, branch, str thd | 1 | | | | |
| 32* | 120065 | FITTING, hydraulic | 1 | | | | |
| 33 | 109213 | PACKING, o-ring | 1 | | | | |
| 34* | 287841 | TUBE, rigid, hydraulic | 1 | | | | |
| 35 | 288061 | CAP, hydraulic head, includes 38 | 1 | | | | |
| 36* | 16U557 | LABEL, brand | 1 | | | | |
| 37* | 15G878 | LABEL, Graco logo | 1 | | | | |
| 38* | 15B063 | LABEL, warning, hot surface | 1 | | | | |
| 39* | 120226 | SCREW, hex hd, flange | 4 | | | | |
| 40* | 15H108 | LABEL, pinch point | 1 | | | | |

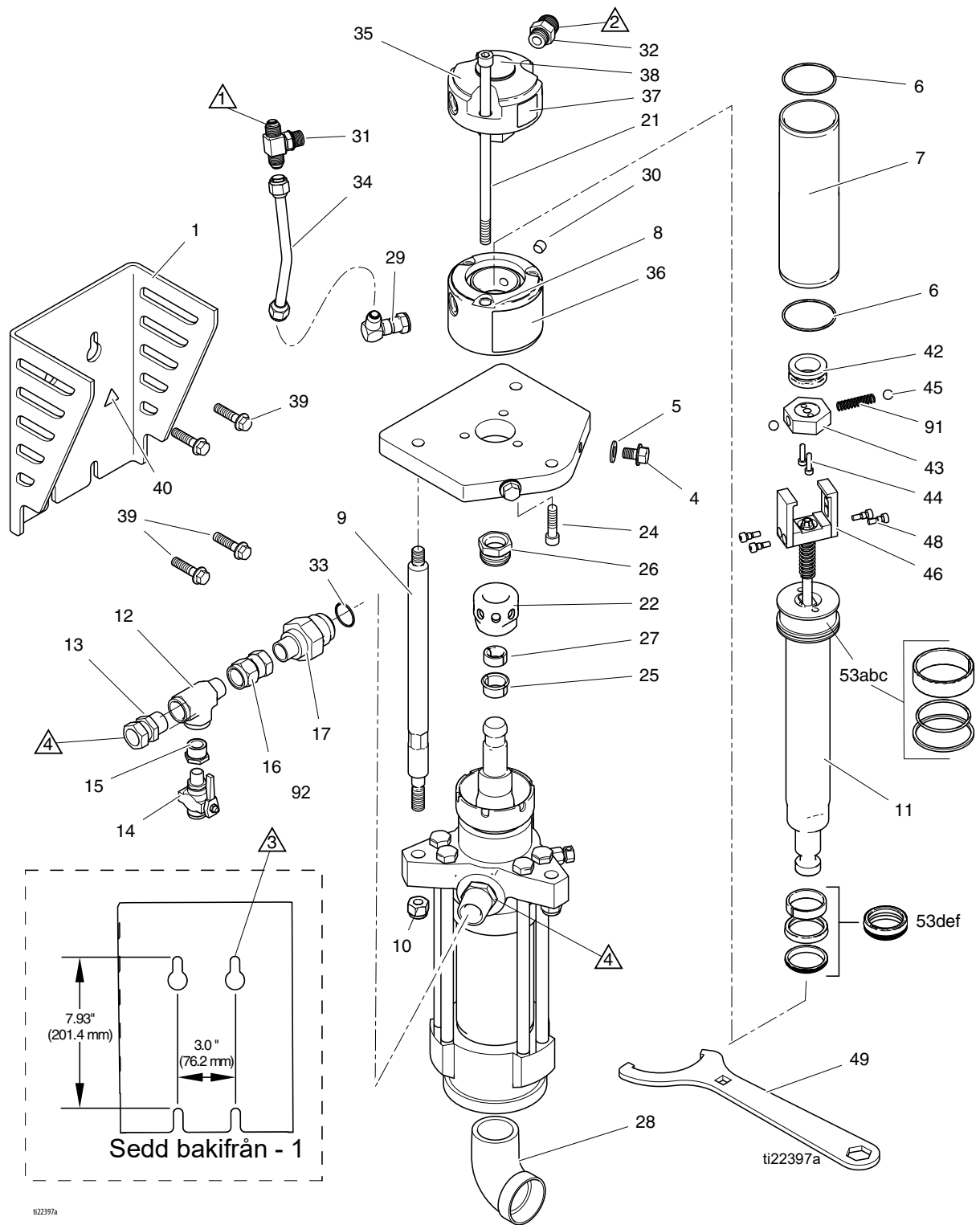
Etiketter, skyltar och kort med varningssymboler och säkerhetsföreskrifter kan beställas kostnadsfritt.

* Ingår i *Hydraulisk Motor Reparationssats 24Y566*

Detalj Beskrivning

- ① HYDRAULINTAG, 3/4" - 16 UNF 2A, 37° hane med fläns
- ② HYDRAULRETUR, 1-1/6" - 12 UN 2A, 37° hane med fläns
- ③ MONTERING, 4X, 7/16" - 14 UNC 2B, bult med brickhuvud, längd 45 mm, rekommenderas (Graco art.nr. 120226)
- ④ 38.1 mm NPT hane
19.05 mm NPS hona svivel (med montering vid leverans)
- ⑤ 50.8 mm NPT hona

GH2570: Artikelnr. 24U325



GH933: Artikelnr. 24U328

| FN | Part No. | Description | Qty | FN | Part No. | Description | Qty |
|-----|----------|--|-----|-----|----------|--|-----|
| 1 | 16U773 | BRACKET, mount, pump, painted | 1 | 45 | 101947 | BALL, bearing | 2 |
| 2* | 116554 | WASHER, flat | 1 | 46 | 15G270 | YOKE, arm, hydraulic motor | 2 |
| 3* | C20019 | SCREW, cap socket head | 1 | 48 | 105270 | SCREW, shoulder, sch | 4 |
| 4 | 111802 | SCREW, cap, hex hd | 2 | 53 | 287870 | KIT, repair, packing, hydraulic, includes 6 | 1 |
| 5 | 109570 | WASHER, plain | 2 | 53a | | BEARING, piston | 1 |
| 6* | 116084 | PACKING, o-ring | 2 | 53b | | O-RING, piston | 1 |
| 7* | 287869 | KIT, repair, cylinder, hydraulic (4GPM) | 1 | 53c | | SEAL, piston, hydraulic motor | 1 |
| 8* | 15G559 | HOUSING, hydraulic motor, lower | 1 | 53d | | SEAL, rod | 1 |
| 9 | 16U336 | ROD, tie | 3 | 53e | | BEARING, rod | 1 |
| 10 | 101712 | NUT, lock | 3 | 53f | | WIPER, rod | 1 |
| 11* | 287868 | KIT, repair, piston/rod, hydraulic | 1 | 91 | 120146 | SPRING, compression | 1 |
| 21* | 120138 | SCREW, cap, socket head | 3 | | | | |
| 23 | L145C2 | LOWER, xtreme, 145, w/ filter, xseal | 1 | | | | |
| 24* | 120202 | SCREW, cap sch | 3 | | | | |
| 25* | 244819 | COUPLING, assembly, 145-290 xtreme | 1 | | | | |
| 26* | 197340 | COVER, coupler | 1 | | | | |
| 27 | 244820 | CLIP, hairpin (w/ lanyard) | 1 | | | | |
| 28 | 116401 | ADAPTER, elbow | 1 | | | | |
| 29* | 117607 | FITTING, elbow std thd | 1 | | | | |
| 30* | 101970 | PLUG, pipe, hdls | 1 | | | | |
| 31* | 117609 | FITTING, tee, branch, str thd | 1 | | | | |
| 32* | 120065 | FITTING, hydraulic | 1 | | | | |
| 34* | 287841 | TUBE, rigid, hydraulic | 1 | | | | |
| 35 | 288061 | CAP. hydraulic head, includes 38 | 1 | | | | |
| 36* | 16U557 | LABEL, brand | 1 | | | | |
| 37* | 15G878 | LABEL, Graco logo | 1 | | | | |
| 38* | 15B063 | LABEL, warning, hot surface | 1 | | | | |
| 39* | 120226 | SCREW, hex hd, flange | 4 | | | | |
| 40* | 15H108 | LABEL, pinch point | 1 | | | | |
| 42 | 15G501 | SLEEVE, valve, hydr, motor | 1 | | | | |
| 43 | 15G503 | STOP, valve, hydraulic motor | 1 | | | | |
| 44 | 15D256 | SCREW, cap, sch | 2 | | | | |

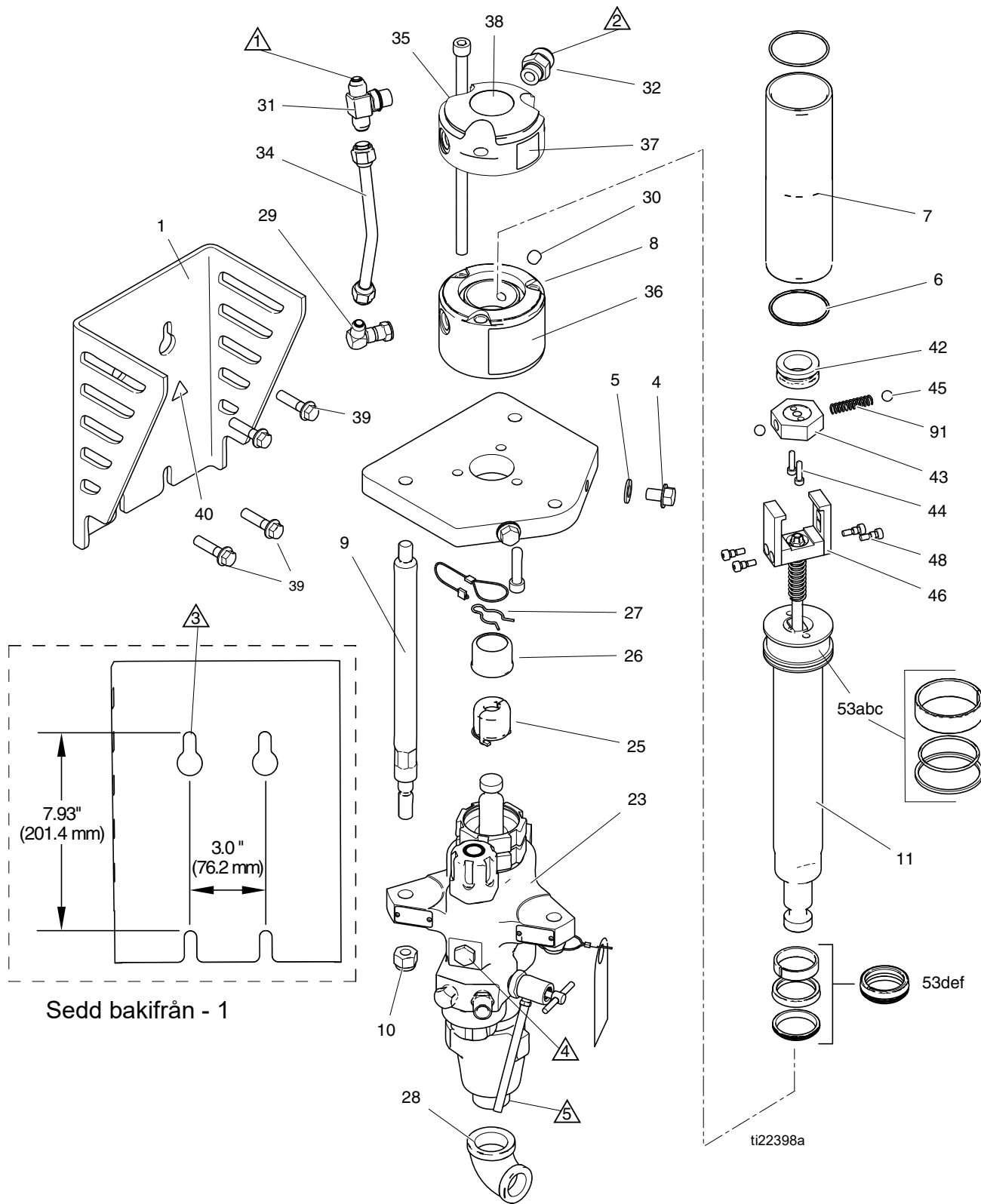
Etiketter, skyltar och kort med varningssymboler och säkerhetsföreskrifter kan beställas kostnadsfritt.

** Ingår i Hydraulisk Motor Reparationssats 24Y566*

Detalj Beskrivning

- ① HYDRAULINTAG, 3/4" - 16 UNF 2A, 37° hane med fläns
- ② HYDRAULRETUR, 1-1/6" - 12 UN 2A, 37° hane med fläns
- ③ MONTERING, 4X, 7/16" - 14 UNC 2B, bult med brickhuvud, längd 45 mm, rekommenderas (Graco art.nr. 120226)
- ④ 12.7 mm NPT hane
12.7 mm NPS hona svivel (med montering vid leverans)
- ⑤ 31.75 NPT hona

GH933: Artikelnr. 24U328



Tekniska data

GH833: Artikelnr. 249767, 253473

| | |
|---------------------------------|--------------------|
| Tryckförhållande färg/hydraulik | 1,45:1 |
| Matning | |
| • Max. hydraultryck | 19,0 MPa, 190 bar, |
| • Minsta hydraulflöde | 23,6 l/min |
| Max. cykelfrekvens | 64 dubbelslag/min. |
| Utdata | |
| • Max. vätskearbetstryck | 275 bar, 27,6 MPa |
| • Max. flöde | 15,1 l/min |
| Mått | |
| Höjd | 1003 mm |
| Bredd | 190,5 mm |
| Djup | 140 mm |
| Vikt | 28,6 kg |

GH733: Artikelnr. 24U326

| | |
|---------------------------------|--------------------|
| Tryckförhållande färg/hydraulik | 1,45:1 |
| Matning | |
| • Max. hydraultryck | 19,0 MPa, 190 bar, |
| • Minsta hydraulflöde | 23,6 l/min |
| Max. cykelfrekvens | 64 dubbelslag/min. |
| Utdata | |
| • Max. vätskearbetstryck | 27,6 MPa, 276 bar |
| • Max. flöde | 15,1 l/min |
| Mått | |
| Höjd | 1016 mm |
| Bredd | 229 mm |
| Djup | 223,5 mm |
| Vikt | 41,9 kg |

GH5040: Artikelnr. 24U327

| | |
|---------------------------------|--------------------|
| Tryckförhållande färg/hydraulik | 1,82:1 |
| Matning | |
| • Max. hydraultryck | 19,0 MPa, 190 bar, |
| • Minsta hydraulflöde | 23,6 l/min |
| Max. cykelfrekvens | 64 dubbelslag/min. |
| Utdata | |
| • Max. vätskearbetstryck | 3,5 MPa, 345 bar |
| • Max. flöde | 13,2 l/min |
| Mått | |
| Höjd | 1099,8 mm |
| Bredd | 229 mm |
| Djup | 221 mm |
| Vikt | 46,7 kg |

GH2570: Artikelnr. 24U325

| | |
|---------------------------------|--------------------|
| Tryckförhållande färg/hydraulik | 0,9:1 |
| Matning | |
| • Max. hydraultryck | 19,0 MPa, 190 bar, |
| • Minsta hydraulflöde | 23,6 l/min |
| Max. cykelfrekvens | 64 dubbelslag/min. |
| Utdata | |
| • Max. vätskearbetstryck | 17,2 MPa, 172 bar |
| • Max. flöde | 26,5 l/min |
| Mått | |
| Höjd | 1196 mm |
| Bredd | 229 mm |
| Djup | 221 mm |
| Vikt | 61,7 kg |

GH933: Artikelnr. 24U328

| | |
|---------------------------------|--------------------|
| Tryckförhållande färg/hydraulik | 2,64:1 |
| Matning | |
| • Max. hydraultryck | 19,0 MPa, 190 bar, |
| • Minsta hydraulflöde | 23,6 l/min |
| Max. cykelfrekvens | 64 dubbelslag/min. |
| Utdata | |
| • Max. vätskearbetstryck | 50 MPa, 500 bar |
| • Max. flöde | 9,5 l/min |
| Mått | |
| Höjd | 1052 mm |
| Bredd | 233 mm |
| Djup | 244 mm |
| Vikt | 46,7 kg |

For the latest information about Graco products, visit www.graco.com.

For patent information, see www.graco.com/patents.

TO PLACE AN ORDER, contact your Graco distributor or call 1-800-690-2894 to identify the nearest distributor.

*All written and visual data contained in this document reflects the latest product information available at the time of publication.
Graco reserves the right to make changes at any time without notice.*

Se www.graco.com/patents för patentinformation.

Översättning av originalanvisningar. This manual contains Swedish. MM 311492

Graco Headquarters: Minneapolis

International Offices: Belgium, China, Japan, Korea

GRACO INC. AND SUBSIDIARIES • P.O. BOX 1441 • MINNEAPOLIS MN 55440-1441 • USA

Copyright 2006, Graco Inc. All Graco manufacturing locations are registered to ISO 9001.

www.graco.com

Revised F, August 2022