

Upute



Paket GH733, GH833, GH933, GH2570 i GH5040 OEM

311526G
HR

- Koristite s arhitektonskim premazima, bojama, krovnim premazima i premazima za ravnanje -

GH733: Dio br. 24U326

Maksimalni radni pritisak 27,6 MPa, 275,8 bara (4000 psi)

GH833: Dio br. 249767, 253473

Maksimalni radni pritisak 27,6 MPa, 275,8 bara (4000 psi)

GH933: Dio br. 24U328

Maksimalni radni pritisak 50 MPa, 500 bara (7250 psi)

GH2570: Dio br. 24U325

Maksimalni radni pritisak 17,2 MPa, 172 bara (2500 psi)

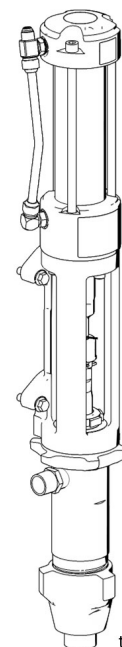
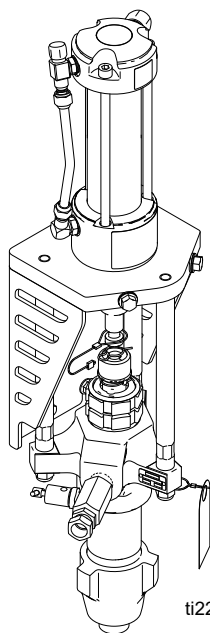
Gh5040: Dio br. 24U327

Maksimalni radni pritisak 34,5 MPa, 345 bara (5000 psi)



Važne sigurnosne upute

Pročitajte sva upozorenja i upute sadržane u ovom priručniku. Čuvajte ovaj priručnik.



PROVEN QUALITY. LEADING TECHNOLOGY.

Dijelovi

GH833: Dio br. 249767, 253473

FN	Part No.	Description	Qty	FN	Part No.	Description	Qty
7	120226	SCREW, hex hd, flange	4	106	117609	FITTING, tee, branch, str thd	1
36	287834	KIT, pump, displacement, includes 141	1	121	116407	CLIP, hairpin	1
40	116554	WASHER, flat	1	122	15G204	NUT, retaining	1
42	15G501	SLEEVE, valve, hydr, motor	1	124	197340	COVER, coupler	1
43	15G503	STOP, valve, hydraulic motor	1	125	244819	COUPLING, assembly	1
44	15D256	SCREW, cap, sch	2	141	15H335	FITTING, nipple, 1 in. npt, includes 36	1
45	101947	BALL, bearing	2	169	16U557	LABEL, front	1
46	15G270	YOKE, arm, hydraulic motor	2	170	15G878	LABEL, Graco logo	1
48	105270	SCREW, shoulder, sch	4	175	15B063	LABEL, warning	1
52	287869	CYLINDER, hydraulic motor	1	163‡	15H201	SHIELD, pump	1
53	287870	KIT, piston, includes 62	1	164‡	111235	SCREW, mach, pnh	1
53a		BEARING, piston	1	165‡	120317	NUT, wing	1
53b		O-RING, piston	1				
53c		SEAL, piston, hydraulic motor	1				
53d		SEAL, rod	1				
53e		BEARING, rod	1				
53f		WIPER, rod	1				
62	116084	PACKING, o-ring	2				
63	15G559	HOUSING, hydraulic motor, lower	1				
66	101970	PLUG, pipe	1				
73	15G639	ADAPTER, hydraulic motor/pump	1				
74	120202	SCREW, cap sch	3				
75	288061	CAP, hydraulic head, includes 175	1				
76	287868	PISTON, hydraulic	1				
90	120138	SCREW, cap, socket head	3				
91	120146	SPRING, compression	1				
97	287841	TUBE	1				
104	120065	FITTING, hydraulic	1				
105	117607	FITTING, elbow std thd	1				

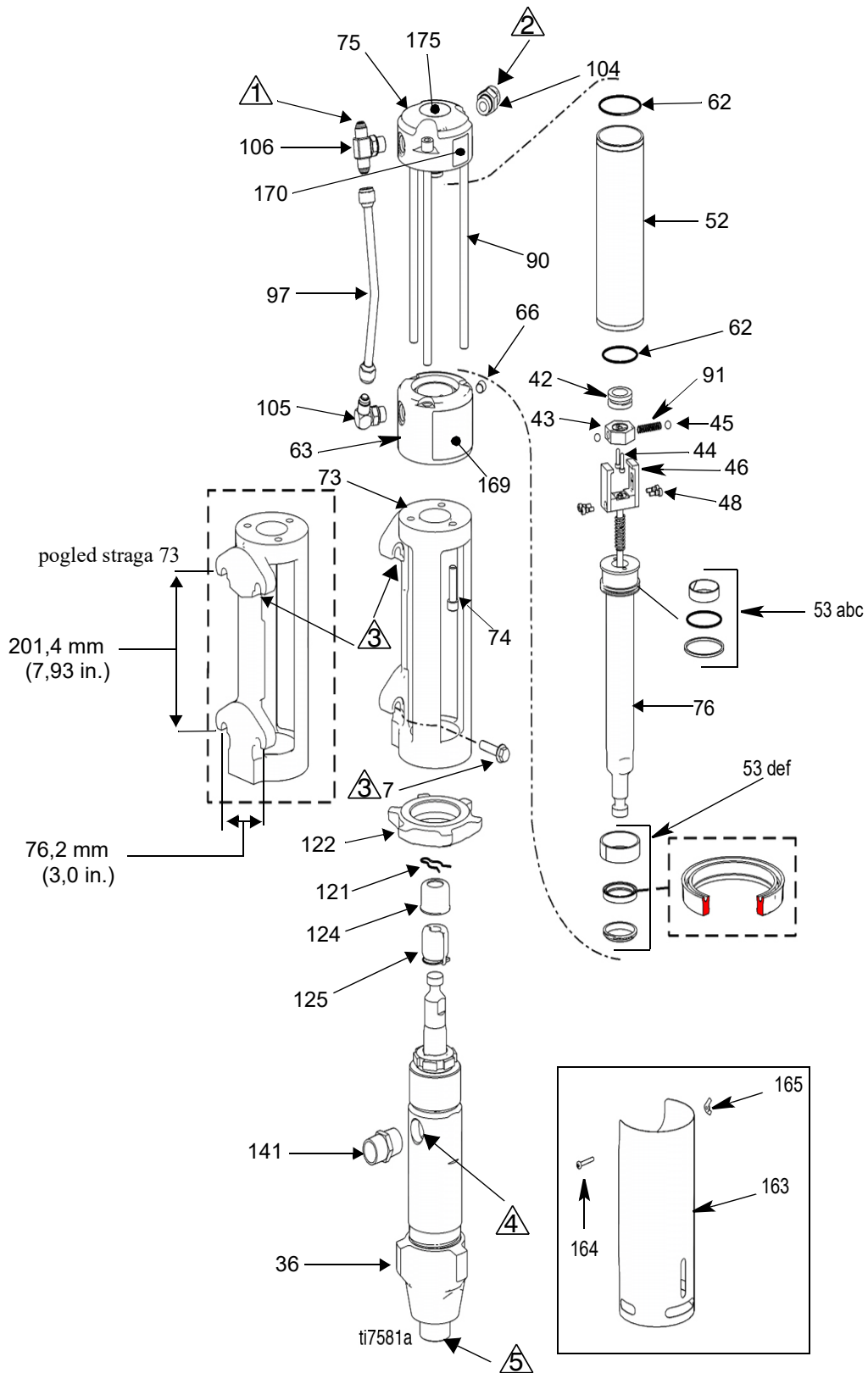
Zamjenske naljepnice i kartice za opasnost i upozorenje možete dobiti bez naknade.

‡ Koristi se na modelu 253473.

Jedinica Opis

- ① HIDRAULIČKI ULAZ, 19,05 mm - 16 UNF 2A, 37° muški zvonasti
- ② HIDRAULIČKI POVRAT, 28,58 mm - 12 UN 2A, 37° muški zvonasti
- ③ PROREZ ZA UÈVRŠÆENJE, 4X, 11,11 mm - 14 UNC 2B, prirubna glava, glavati vijak, preporučena duljina 44,45 mm (Graco broj dijela 120226)
- ④ 25,4 mm - 11-1/2 NPT ženski
- ⑤ 38,1 mm - 11-1/2 NPT muški

GH833: Dio br. 249767, 253473



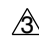




GH733: Dio br. 24U326

FN	Part No.	Description	Qty	FN	Part No.	Description	Qty
1	16U773	BRACKET, mount pump, painted	1	44	15D256	SCREW, cap, sch	2
2	116554	WASHER, flat	1	45	101947	BALL, bearing	2
3	C20019	SCREW, cap, socket head	1	46	15G270	YOKE, arm, hydraulic motor	2
4	111802	SCREW, cap, hex head	2	48	105270	SCREW, shoulder, sch	4
5	109570	WASHER, plain	2	53	287870	KIT, repair, packing, hydraulic, includes 6	1
6	116084	PACKING, o-ring	2	53a		BEARING, piston	1
7	287869	KIT, repair, cylinder, hydraulic (4GPM)	1	53b		O-RING, piston	1
8	15G559	HOUSING, hydraulic motor, lower	1	53c		SEAL, piston, hydraulic motor	1
9	16U336	ROD, tie	3	53d		SEAL, rod	1
10	101712	NUT, lock	3	53e		BEARING, rod	1
11	287868	KIT, repair, piston/rod, hydraulic	1	53f		WIPER, rod	1
12	16U937	FITTING, tee, NTP, 1 X 3/4 X 3/8	1	91	120146	SRPING, compression	1
13	157785	FITTING, swivel	1				
14	245143	VALVE, pressure, bleed	1				
21	120138	SCREW, cap, socket head	3				
23	L250C1	LOWER, xtreme, 250, NF, seal	1				
24	120202	SCREW, cap sch	3				
25	244819	COUPLING, assembly, 145-290 XT	1				
26	197340	COVER, coupler	1				
27	244820	CLIP, hairpin (w/ lanyard)	1				
29	117607	FITTING, elbow std thd	1				
30	101970	PLUG, pipe hdls	1				
31	117609	FITTING, tee, branch, str thd	1				
32	120065	FITTING, hydraulic	1				
34	287841	TUBE, rigid, hydraulic	1				
35	288061	CAP, hydraulic head, includes 38	1				
36	16U557	LABEL, brand	1				
37	15G878	LABEL, Graco logo	1				
38	15B063	LABEL, warning, hot surface	1				
39	120226	SCREW, hex hd, flange	4				
40	15B063	LABEL, pinch point	1				
42	15G501	SLEEVE, valve, hydr, motor	1				
43	15G503	STOP, valve, hydraulic motor	1				

Zamjenske naljepnice i kartice za opasnost i upozorenje možete dobiti bez naknade.

Jedinica Opis

-  HIDRAULIČKI ULAZ, 19,05 mm - 16 UNF 2A, 37° muški zvonasti
-  HIDRAULIČKI POVRAT, 28,58 mm - 12 UN 2A, 37° muški zvonasti
-  PROREZ ZA UÈVRŠÈENJE, 4X, 11,11 mm - 14 UNC 2B, prirubna glava, glavati vijak, preporučena duljina 44,45 mm (Graco broj dijela 120226)
-  25,4 mm NPT ženski 19,05 mm NPS Ženski okretni (sa kukom kod otpreme)
-  31,75 mm NPT muški

GH5040: Dio br. 24U327

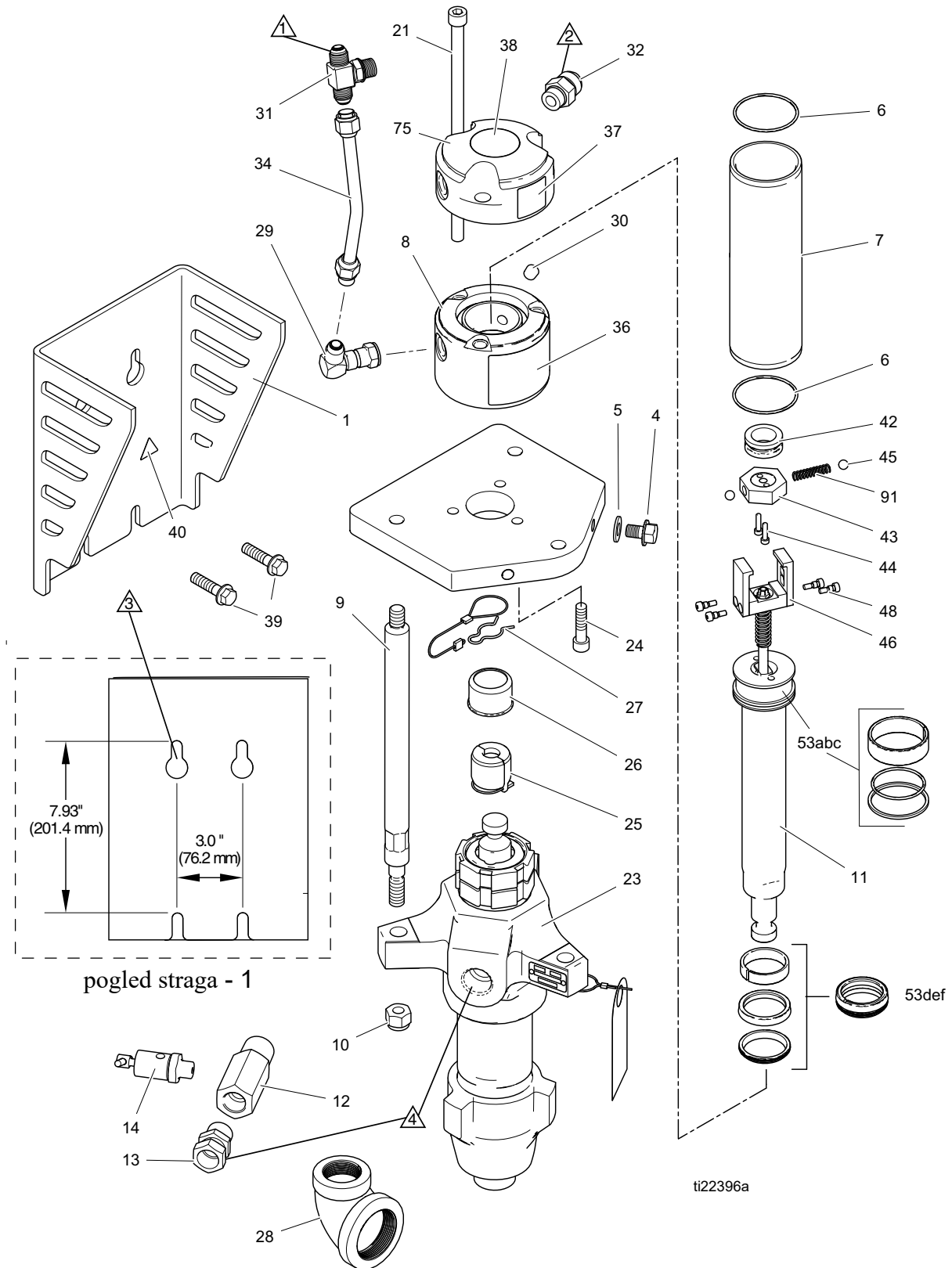
FN	Part No.	Description	Qty	FN	Part No.	Description	Qty
1	16U773	BRACKET, mount, pump, paint	1	42	15G501	SLEEVE, valve, hydr, motor	1
4	111802	SCREW, cap, hex hd	2	43	15G503	STOP, valve, hydraulic motor	1
5	109570	WASHER, plain	2	44	15D256	SCREW, cap, sch	2
6	116084	PACKING, o-ring	2	45	101947	BALL, bearing	2
7	287869	KIT, repair, cylinder, hydraulic (4GPM)	1	46	15G270	YOKE, arm, hydraulic motor	2
8	15G559	HOUSING, hydraulic motor, lower	1	48	105270	SCREW, shoulder, sch	4
9	16U336	ROD, tie	3	53	287870	KIT, repair, packing, hydraulic, includes 6	1
10	101712	NUT, lock	3	53a		BEARING, piston	1
11	287868	KIT, repair, piston/rod, hydraulic	1	53b		O-RING, piston	1
12	16U937	FITTING, tee, NPT, 1 X 3/4 X 3/8	1	53c		SEAL, piston, hydraulic motor	1
13	157785	FITTING, swivel	1	53d		SEAL, rod	1
14	245143	VALVE, pressure, bleed	1	53e		BEARING, rod	1
21	120138	SCREW, cap, socket head	3	53f		WIPER, rod	1
23	L220C1	LOWER, xtreme, 220, NF, xseal	1	91	120146	SRPING, compression	1
24	120202	SCREW, cap sch	3				
25	244819	COUPLING, assembly, 145-290 Xtreme	1				
26	197340	COVER, coupler	1				
27	244820	CLIP, hairpin (w/ lanyard)	1				
28	116976	FITTING, elbow, 90 deg., female	1				
29	117607	FITTING, elbow, std thd	1				
30	101970	PLUG, pipe, hdls	1				
31	117609	FITTING, tee, branch, std thd	1				
32	120065	FITTING, hydraulic	1				
34	287841	TUBE, rigid, hydraulic	1				
35	288061	CAP, hydraulic head, includes 38	1				
36	16U557	LABEL, brand	1				
37	15G878	LABEL, Graco logo	1				
38	15B063	LABEL, warning, hot surface	1				
39	120226	SCREW, hed hd, flange	4				
40	15H108	LABEL, pinch point	1				

Zamjenske naljepnice i kartice za opasnost i upozorenje možete dobiti bez naknade.

Jedinica Opis

- ① HIDRAULIČKI ULAZ, 19,05 mm - 16 UNF 2A, 37° muški zvonasti
- ② HIDRAULIČKI POVRAT, 28,58 mm - 12 UN 2A, 37° muški zvonasti
- ③ PROREZ ZA UČVRŠĆENJE, 4X, 11,11 mm - 14 UNC 2B, prirubna glava, glavati vijak, preporučena duljina 44,45 mm (Graco broj dijela 120226)
- ④ 25,4 mm NPT ženski 19,05 mm NPS Ženski okretni (sa kukom kod otpreme)
- ⑤ 31,75 mm NPT muški

GH733: Dio br. 24U326 i GH5040: Dio br. 24U327








Bilješke

GH2570: Dio br. 24U325

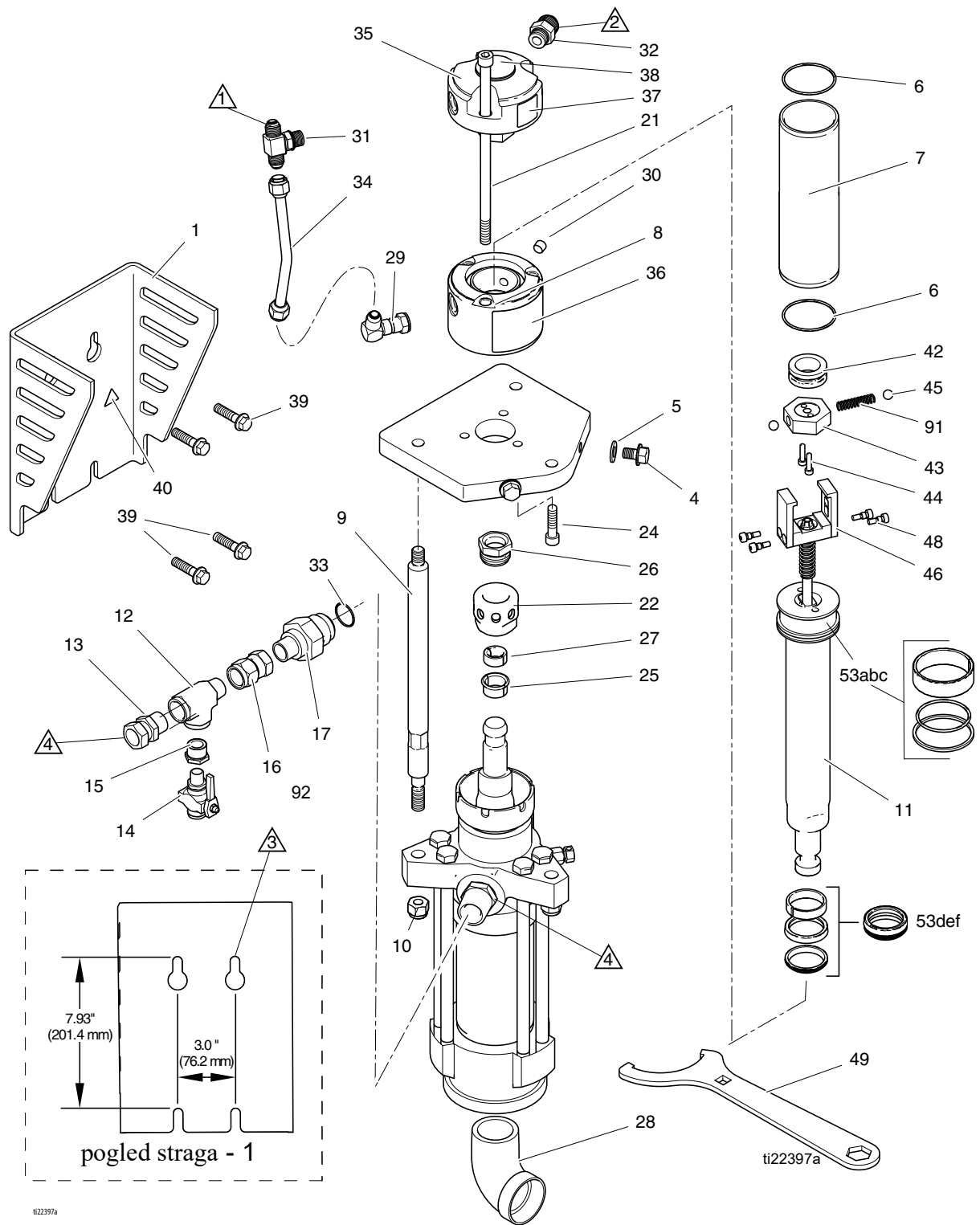
FN	Part No.	Description	Qty	FN	Part No.	Description	Qty
1	16U773	BRACKET, mount, pump, painted	1	40	15H108	LABEL, pinch point	1
4	111802	SCREW, cap, hex hd	2	42	15G501	SLEEVE, valve, hydr, motor	1
5	109570	WASHER, plain	2	43	15G503	STOP, valve, hydraulic motor	1
6	116084	PACKING, o-ring	2	44	15D256	SCREW, cap, sch	2
7	287869	KIT, repair, cylinder, hydraulic (4GPM)	1	45	101947	BALL, bearing	2
8	15G559	HOUSING, hydraulic motor, lower	1	46	15G270	YOKE, arm, hydraulic motor	2
9	16U339	ROD, tie	3	48	105270	SCREW, shoulder, sch	4
10	101712	NUT, lock	3	49	184278	TOOL, wrench, packing nut	1
11	287868	KIT, repair, piston/rod, hydraulic	1	53	287870	KIT, repair, packing, hydraulic, includes 6	1
12	111337	FITTING, tee, street	1	53a		BEARING, piston	1
13	157785	FITTING, swivel	1	53b		O-RING, piston	1
14	224441	VALVE, ball	1	53c		SEAL, piston, hydraulic motor	1
15	100505	BUSHING, pipe	1	53d		SEAL, rod	1
16	156172	FITTING, union, swivel	1	53e		BEARING, rod	1
17	184470	FITTING, outlet	1	53f		WIPER, rod	1
21	120138	SCREW, cap, socket head	3	91	120146	SPRING, compression	1
22	184096	NUT, coupling	1				
23	222796	PUMP, recip, displ (18cm-cstl)	1				
24	120202	SCREW, cap sch	3				
25	184130	COLLAR, coupling	2				
26	16U420	COUPLER, rod, pump	1				
27	16U421	COLLAR, coupling, rod, pump	2				
28	100088	ELBOW, street, pipe, 90 de	1				
29	117607	FITTING, elbow std thd	1				
30	101970	PLUG, pipe, hdls	1				
31	117609	FITTING, tee, branch, str thd	1				
32	120065	FITTING, hydraulic	1				
33	109213	PACKING, o-ring	1				
34	287841	TUBE, rigid, hydraulic	1				
35	288061	CAP, hydraulic head, includes 38	1				
36	16U557	LABEL, brand	1				
37	15G878	LABEL, Graco logo	1				
38	15B063	LABEL, warning, hot surface	1				
39	120226	SCREW, hex hd, flange	4				

Zamjenske naljepnice i kartice za opasnost i upozorenje možete dobiti bez naknade.

Jedinica Opis

	HIDRAULIČKI ULAZ, 19,05 mm - 16 UNF 2A, 37° muški zvonasti
	HIDRAULIČKI POVRAT, 28,58 mm - 12 UN 2A, 37° muški zvonasti
	PROREZ ZA UÈVRŠÆENJE, 4X, 11,11 mm - 14 UNC 2B, prirubna glava, glavati vijak, preporučena duljina 44,45 mm (Graco broj dijela 120226)
	38,1 mm NPT muški 19,05 mm NPS Ženski okretni (sa kukom kod otpreme)
	50,8 mm NPT ženski

GH2570: Dio br. 24U325

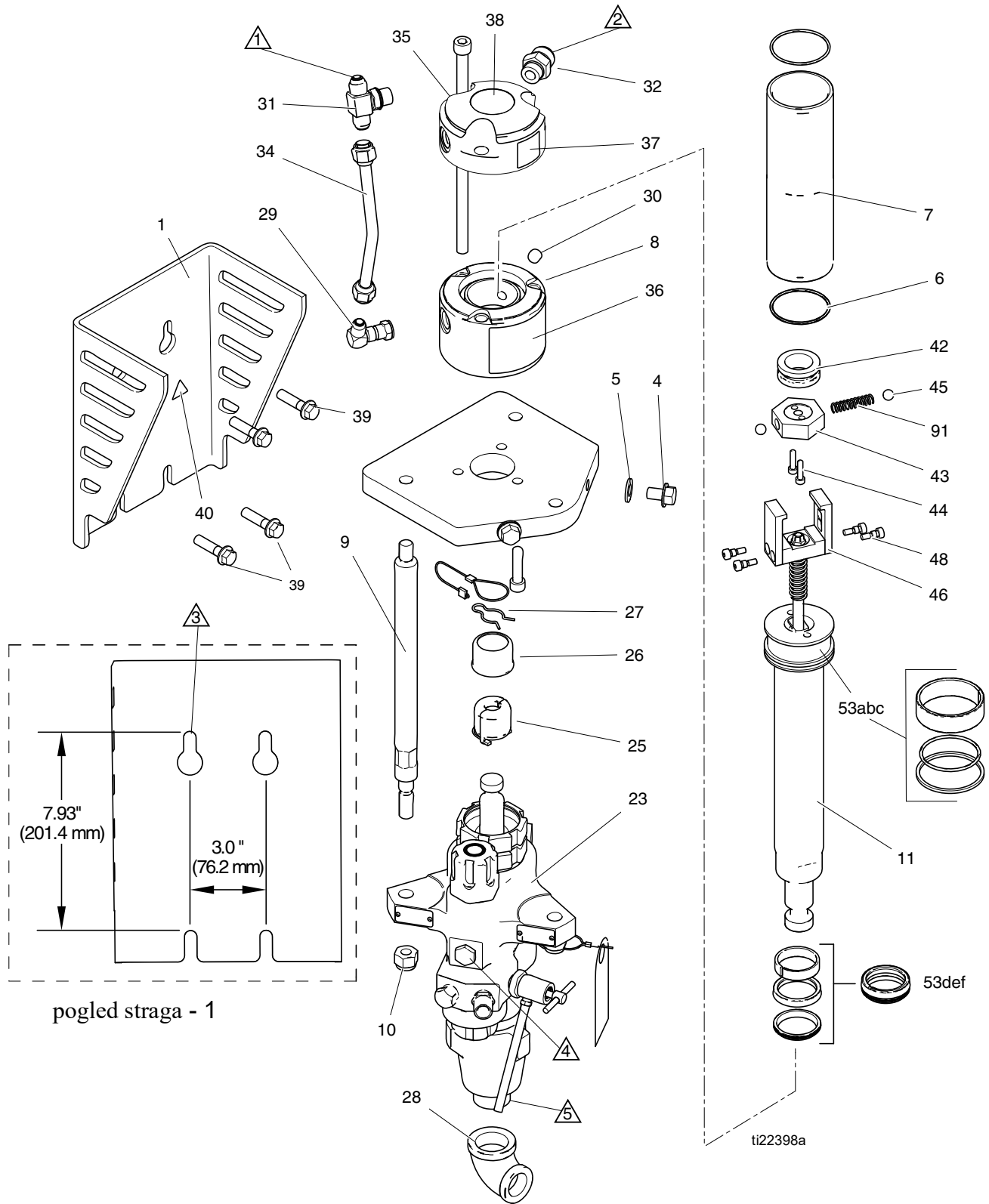


ti22397a

GH933: Dio br. 24U328

FN	Part No.	Description	Qty	FN	Part No.	Description	Qty
1	16U773	BRACKET, mount, pump, painted	1	43	15G503	STOP, valve, hydraulic motor	1
2	116554	WASHER, flat	1	44	15D256	SCREW, cap, sch	2
3	C20019	SCREW, cap socket head	1	45	101947	BALL, bearing	2
4	111802	SCREW, cap, hex hd	2	46	15G270	YOKE, arm, hydraulic motor	2
5	109570	WASHER, plain	2	48	105270	SCREW, shoulder, sch	4
6	116084	PACKING, o-ring	2	53	287870	KIT, repair, packing, hydraulic, includes 6	1
7	287869	KIT, repair, cylinder, hydraulic (4GPM)	1	53a		BEARING, piston	1
8	15G559	HOUSING, hydraulic motor, lower	1	53b		O-RING, piston	1
9	16U336	ROD, tie	3	53c		SEAL, piston, hydraulic motor	1
10	101712	NUT, lock	3	53d		SEAL, rod	1
11	287868	KIT, repair, piston/rod, hydraulic	1	53e		BEARING, rod	1
21	120138	SCREW, cap, socket head	3	53f		WIPER, rod	1
23	L145C2	LOWER, xtreme, 145, w/ filter, xseal	1	91	120146	SPRING, compression	1
24	120202	SCREW, cap sch	3	<i>Zamjenske naljepnice i kartice za opasnost i upozorenje možete dobiti bez naknade.</i>			
25	244819	COUPLING, assembly, 145-290 xtreme	1	Jedinica Opis			
26	197340	COVER, coupler	1	△	HIDRAULIČKI ULAZ, 19,05 mm - 16 UNF 2A, 37° muški zvonasti		
27	244820	CLIP, hairpin (w/ lanyard)	1	△	HIDRAULIČKI POVRAT, 28,58 mm - 12 UN 2A, 37° muški zvonasti		
28	116401	ADAPTER, elbow	1	△	PROREZ ZA UÈVRŠÆENJE, 4X, 11,11 mm - 14 UNC 2B, prirubna glava, glavati vijak, preporučena duljina 44,45 mm (Graco broj dijela 120226)		
29	117607	FITTING, elbow std thd	1	△	12,7 mm NPT muški		
30	101970	PLUG, pipe, hdls	1	△	12,7 mm NPS Ženski okretni (sa kukom kod otpreme)		
31	117609	FITTING, tee, branch, str thd	1	△	31,75 mm NPT ženski		
32	120065	FITTING, hydraulic	1				
34	287841	TUBE, rigid, hydraulic	1				
35	288061	CAP. hydraulic head, includes 38	1				
36	16U557	LABEL, brand	1				
37	15G878	LABEL, Graco logo	1				
38	15B063	LABEL, warning, hot surface	1				
39	120226	SCREW, hex hd, flange	4				
40	15H108	LABEL, pinch point	1				
42	15G501	SLEEVE, valve, hydr, motor	1				

GH933: Dio br. 24U328



Tehnički podaci

GH833: Dio br. 249767, 253473

Omjer boja/hidraulika	1,45:1
Podaci korisnika	
• Maksimalni hidraulički pritisak	19,0 MPa, 190 bara (2750 psi)
• Potrebni hidraulički tijek	23,6 l/m
Maksimalna vrijednost ciklusa	64 ciklusa u minuti
Izlaz uređaja	
• Maksimalni pritisak tekućine	27,6 MPa, 275 bara (4000 psi)
• Maksimalni tijek	15,1 l/m
Dimenzije	
Visina	1003 mm
Širina	190,5 mm
Dubina	140 mm
Težina	28,6 kg

GH733: Dio br. 24U326

Omjer boja/hidraulika	1,45:1
Podaci korisnika	
• Maksimalni hidraulički pritisak	19,0 MPa, 190 bara (2750 psi)
• Potrebni hidraulički tijek	23,6 l/m
Maksimalna vrijednost ciklusa	64 ciklusa u minuti
Izlaz uređaja	
• Maksimalni pritisak tekućine	27,6 MPa, 276 bara (4000 psi)
• Maksimalni tijek	15,1 l/m
Dimenzije	
Visina	1016 mm
Širina	229 mm
Dubina	223,5 mm
Težina	41,9 kg

GH5040: Dio br. 24U327

Omjer boja/hidraulika	1,82:1
Podaci korisnika	
• Maksimalni hidraulički pritisak	19,0 MPa, 190 bara (2750 psi)
• Potrebni hidraulički tijek	23,6 l/m
Maksimalna vrijednost ciklusa	64 ciklusa u minuti
Izlaz uređaja	
• Maksimalni pritisak tekućine	34,5 MPa, 345 bara (5000 psi)
• Maksimalni tijek	13,2 l/m
Dimenzije	
Visina	1099,8 mm
Širina	229 mm
Dubina	221 mm
Težina	46,7 kg

GH2570: Dio br. 24U325

Omjer boja/hidraulika	0,9:1
Podaci korisnika	
• Maksimalni hidraulički pritisak	19,0 MPa, 190 bara (2750 psi)
• Potrebni hidraulički tijek	23,6 l/m
Maksimalna vrijednost ciklusa	64 ciklusa u minuti
Izlaz uređaja	
• Maksimalni pritisak tekućine	17,2 MPa, 172 bara (2500 psi)
• Maksimalni tijek	26,5 l/m
Dimenzije	
Visina	1196 mm
Širina	229 mm
Dubina	221 mm
Težina	61,7 kg

GH933: Dio br. 24U328

Omjer boja/hidraulika	2,64:1
Podaci korisnika	
• Maksimalni hidraulički pritisak	19,0 MPa, 190 bara (2750 psi)
• Potrebni hidraulički tijek	23,6 l/m
Maksimalna vrijednost ciklusa	64 ciklusa u minuti
Izlaz uređaja	
• Maksimalni pritisak tekućine	50 MPa, 500 bara (7250 psi)
• Maksimalni tijek	9,5 l/m
Dimenzije	
Visina	1052 mm
Širina	233 mm
Dubina	244 mm
Težina	46,7 kg

For the latest information about Graco products, visit www.graco.com.

For patent information, see www.graco.com/patents.

TO PLACE AN ORDER, contact your Graco distributor or call 1-800-690-2894 to identify the nearest distributor.

*All written and visual data contained in this document reflects the latest product information available at the time of publication.
Graco reserves the right to make changes at any time without notice.*

Za patentne informacije pogledajte www.graco.com/patents.

Prijevod izvornih uputa. This manual contains Croation. MM 311492

Graco Headquarters: Minneapolis

International Offices: Belgium, China, Japan, Korea

GRACO INC. AND SUBSIDIARIES • P.O. BOX 1441 • MINNEAPOLIS MN 55440-1441 • USA

Copyright 2006, Graco Inc. All Graco manufacturing locations are registered to ISO 9001.

www.graco.com
Revised G, 8/2022