

GH733, GH833, GH933, GH2570 ve GH5040 OEM Kiti

311524G
TR

- Bina Kaplamalarıyla, Boyalarla, Çatı Kaplamalarıyla ve Alt Kaplamalarla Kullanın -

GH733: Parça No. 24U326

4000 psi (27,6 MPa, 275,8 bar) Maksimum Çalışma Basıncı (Malzeme Çalışma PSI)

GH833: Parça No. 249767, 253473

4000 psi (27,6 MPa, 275,8 bar) Maksimum Çalışma Basıncı (Malzeme Çalışma PSI)

GH933: Parça No. 24U328

7250 psi (50 MPa, 500 bar) Maksimum Çalışma Basıncı (Malzeme Çalışma PSI)

GH25040: Parça No. 24U325

2500 psi (17,2 MPa, 172 bar) Maksimum Çalışma Basıncı (Malzeme Çalışma PSI)

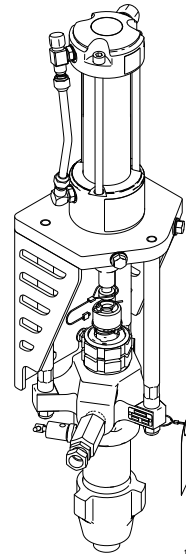
GH5040: Parça No. 24U327

5000 psi (34,5 MPa, 345 bar) Maksimum Çalışma Basıncı (Malzeme Çalışma PSI)

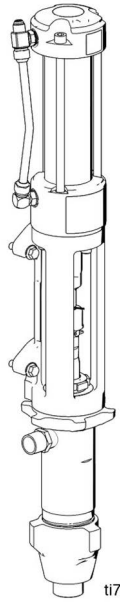


Önemli Güvenlik Uyarıları

Bu el kitabındaki bütün uyarı ve talimatları okuyun. Bu talimatları saklayın.



ti22404a



ti7580a

PROVEN QUALITY. LEADING TECHNOLOGY.

Parçalar

GH833: Parça No. 249767, 253743

FN	Part No.	Description	Qty	FN	Part No.	Description	Qty
7*	120226	SCREW, hex hd, flange	4	125*	244819	COUPLING, assembly	1
36	287834	KIT, pump, displacement, includes 141	1	141	15H335	FITTING, nipple, 1 in. npt, includes 36	1
40*	116554	WASHER, flat	1	169*	16U557	LABEL, front	1
42	15G501	SLEEVE, valve, hydr, motor	1	170	15G878	LABEL, Graco logo	1
43	15G503	STOP, valve, hydraulic motor	1	175*	15B063	LABEL, warning	1
44	15D256	SCREW, cap, sch	2	163‡	15H201	SHIELD, pump	1
45	101947	BALL, bearing	2	164‡	111235	SCREW, mach, pnh	1
46	15G270	YOKE, arm, hydraulic motor	2	165‡	120317	NUT, wing	1
48	105270	SCREW, shoulder, sch	4				
52*	287869	CYLINDER, hydraulic motor	1				
53	287870	KIT, repair, packing, hydraulic, includes 62	1				
53a		BEARING, piston	1				
53b		O-RING, piston	1				
53c		SEAL, piston, hydraulic motor	1				
53d		SEAL, rod	1				
53e		BEARING, rod	1				
53f		WIPER, rod	1				
62*	116084	PACKING, o-ring	2				
63*	15G559	HOUSING, hydraulic motor, lower	1				
66*	101970	PLUG, pipe	1				
73*	15G639	ADAPTER, hydraulic motor/pump	1				
74*	120202	SCREW, cap sch	3				
75	288061	CAP, hydraulic head, includes 175	1				
76	287868	PISTON, hydraulic	1				
90*	120138	SCREW, cap, socket head	3				
91	120146	SPRING, compression	1				
97*	287841	TUBE	1				
104*	120065	FITTING, hydraulic	1				
105*	117607	FITTING, elbow std thd	1				
106*	117609	FITTING, tee, branch, str thd	1				
121*	116407	CLIP, hairpin	1				
122	15G204	NUT, retaining	1				
124	197340	COVER, coupler	1				

Tehlike ve Uyarı etiketleri, pusula ve kartları ücretsiz olarak mevcuttur.

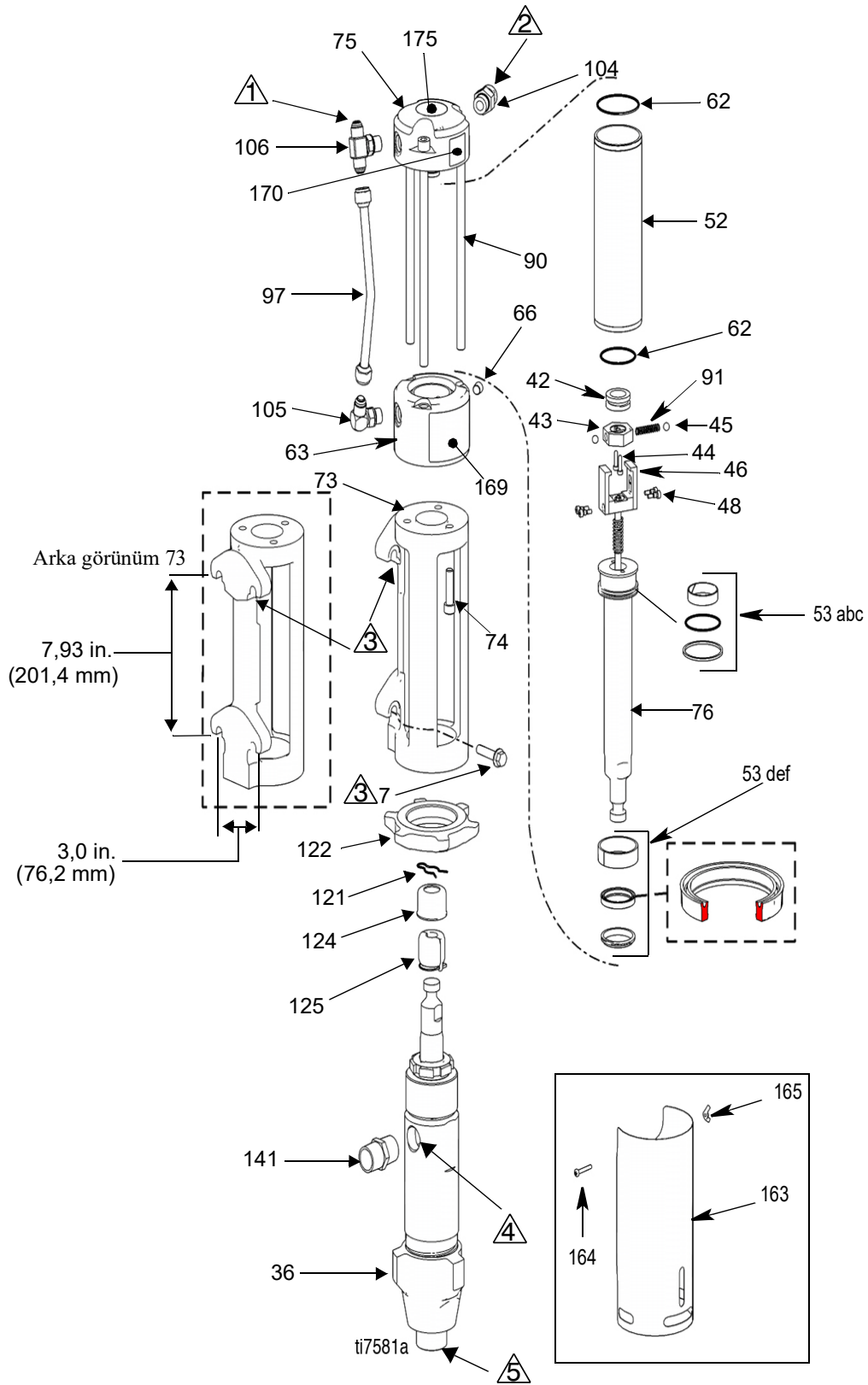
‡ 253473 modeli üzerinde kullanılır.

** Hidrolik Motor Tamir Takımı 24Y566'da bulunur*

Madde Tanıymı

- ⚠ HİDROLİK GİRİŞ, 3/4 in. - 16 UNF 2A, 37° kıvrık erkek
- ⚠ HİDROLİK DÖNÜŞ, 1-1/6 in. - 12 UN 2A, 37° kıvrık erkek
- ⚠ MONTAJ YUVASI, 4X, 7/16 in. - 14 UNC 2B, flanş kafası, kapak vidası, 1-3/4 in. uzunluğunda tavsiye edilir (Graco PN 120226)
- ⚠ 1 in. - 11-1/2 NPT Dişi
- ⚠ 1-1/2 in. - 11-1/2 NPT Erkek

GH833: Parça No. 249767, 253743



GH733: Parça No. 24U326

FN	Part No.	Description	Qty
1	16U773	BRACKET, mount pump, painted	1
2*	116554	WASHER, flat	1
3*	C20019	SCREW, cap, socket head	1
4	111802	SCREW, cap, hex head	2
5	109570	WASHER, plain	2
6*	116084	PACKING, o-ring	2
7*	287869	KIT, repair, cylinder, hydraulic (4GPM)	1
8*	15G559	HOUSING, hydraulic motor, lower	1
9	16U336	ROD, tie	3
10	101712	NUT, lock	3
11*	287868	KIT, repair, piston/rod, hydraulic	1
12	16U937	FITTING, tee, NTP, 1 X 3/4 X 3/8	1
13	157785	FITTING, swivel	1
14	245143	VALVE, pressure, bleed	1
21*	120138	SCREW, cap, socket head	3
23	L250C1	LOWER, xtreme, 250, NF, seal	1
24*	120202	SCREW, cap sch	3
25*	244819	COUPLING, assembly, 145-290 XT	1
26*	197340	COVER, coupler	1
27	244820	CLIP, hairpin (w/ lanyard)	1
29*	117607	FITTING, elbow std thd	1
30*	101970	PLUG, pipe hdls	1
31*	117609	FITTING, tee, branch, str thd	1
32*	120065	FITTING, hydraulic	1
34*	287841	TUBE, rigid, hydraulic	1
35	288061	CAP, hydraulic head, includes 38	1
36*	16U557	LABEL, brand	1
37*	15G878	LABEL, Graco logo	1
38*	15B063	LABEL, warning, hot surface	1
39*	120226	SCREW, hex hd, flange	4
40*	15H108	LABEL, pinch point	1
42	15G501	SLEEVE, valve, hydr, motor	1
43	15G503	STOP, valve, hydraulic motor	1

FN	Part No.	Description	Qty
44	15D256	SCREW, cap, sch	2
45	101947	BALL, bearing	2
46	15G270	YOKE, arm, hydraulic motor	2
48	105270	SCREW, shoulder, sch	4
53	287870	KIT, repair, packing, hydraulic, includes 6	1
53a		BEARING, piston	1
53b		O-RING, piston	1
53c		SEAL, piston, hydraulic motor	1
53d		SEAL, rod	1
53e		BEARING, rod	1
53f		WIPER, rod	1
91	120146	SRPING, compression	1

Tehlike ve Uyarı etiketleri, pusula ve kartları ücretsiz olarak mevcuttur.

** Hidrolik Motor Tamir Takımı 24Y566'da bulunur*

Madde Tanımı

- ⚠ HÝDROLÝK GÝRÝP, 3/4 in. - 16 UNF 2A, 37° kývrýk erkek
- ⚠ HÝDROLÝK DÖNÜP, 1-1/6 in. - 12 UN 2A, 37° kývrýk erkek
- ⚠ MONTAJ YUVASI, 4X, 7/16 in. - 14 UNC 2B, flanþ kafasý, kapak vidasý, 1-3/4 in. uzunluðunda tavsiye edilir (Graco PN 120226)
- ⚠ 1.0 in. NPT Diði
- ⚠ 0.75 in. NPS Diði döner (Teslim edildiði þekliyle montaj ile)
- ⚠ 1.25 in. NPT Erkek

GH5040: Parça No. 24U327

FN	Part No.	Description	Qty	FN	Part No.	Description	Qty
1	16U773	BRACKET, mount, pump, paint	1	44	15D256	SCREW, cap, sch	2
4	111802	SCREW, cap, hex hd	2	45	101947	BALL, bearing	2
5	109570	WASHER, plain	2	46	15G270	YOKE, arm, hydraulic motor	2
6*	116084	PACKING, o-ring	2	48	105270	SCREW, shoulder, sch	4
7*	287869	KIT, repair, cylinder, hydraulic (4GPM)	1	53	287870	KIT, repair, packing, hydraulic, includes 6	1
8*	15G559	HOUSING, hydraulic motor, lower	1	53a		BEARING, piston	1
9	16U336	ROD, tie	3	53b		O-RING, piston	1
10	101712	NUT, lock	3	53c		SEAL, piston, hydraulic motor	1
11*	287868	KIT, repair, piston/rod, hydraulic	1	53d		SEAL, rod	1
12	16U937	FITTING, tee, NPT, 1 X 3/4 X 3/8	1	53e		BEARING, rod	1
13	157785	FITTING, swivel	1	53f		WIPER, rod	1
14	245143	VALVE, pressure, bleed	1	91	120146	SRPING, compression	1
21*	120138	SCREW, cap, socket head	3				
23	L220C1	LOWER, xtreme, 220, NF, xseal	1				
24*	120202	SCREW, cap sch	3				
25*	244819	COUPLING, assembly, 145-290 Xtreme	1				
26	197340	COVER, coupler	1				
27	244820	CLIP, hairpin (w/ lanyard)	1				
28	116976	FITTING, elbow, 90 deg., female	1				
29*	117607	FITTING, elbow, std thd	1				
30*	101970	PLUG, pipe, hdls	1				
31*	117609	FITTING, tee, branch, std thd	1				
32*	120065	FITTING, hydraulic	1				
34*	287841	TUBE, rigid, hydraulic	1				
35	288061	CAP, hydraulic head, includes 38	1				
36*	16U557	LABEL, brand	1				
37*	15G878	LABEL, Graco logo	1				
38*	15B063	LABEL, warning, hot surface	1				
39*	120226	SCREW, hed hd, flange	4				
40*	15H108	LABEL, pinch point	1				
42	15G501	SLEEVE, valve, hydr, motor	1				
43	15G503	STOP, valve, hydraulic motor	1				

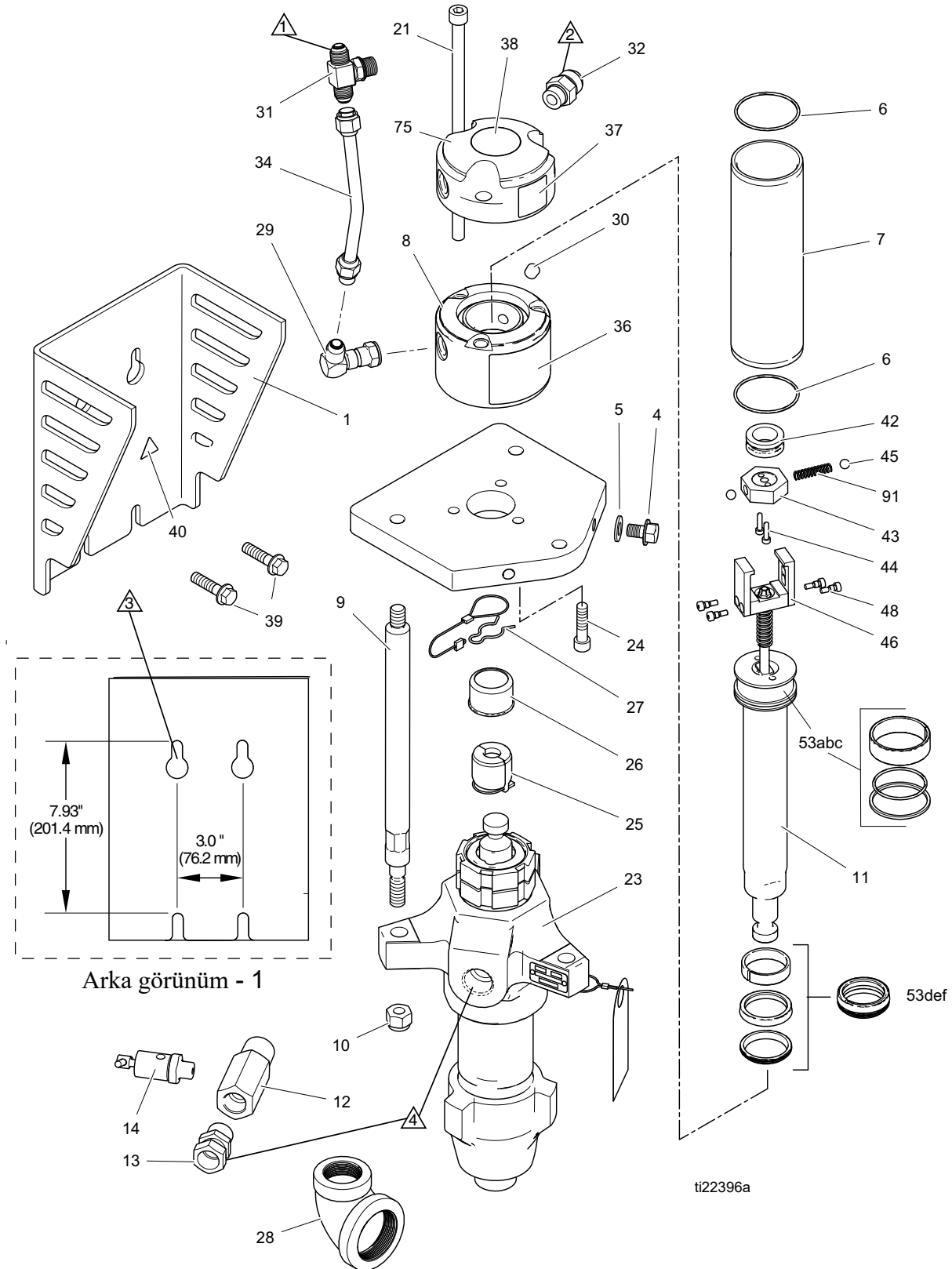
Tehlike ve Uyarı etiketleri, pusula ve kartları ücretsiz olarak mevcuttur.

** Hidrolik Motor Tamir Takımı 24Y566'da bulunur*

Madde Tanýmý

- ⚠ HÝDROLÝK GÝRÝP, 3/4 in. - 16 UNF 2A, 37° kývrýk erkek
- ⚠ HÝDROLÝK DÖNÜP, 1-1/6 in. - 12 UN 2A, 37° kývrýk erkek
- ⚠ MONTAJ YUVASI, 4X, 7/16 in. - 14 UNC 2B, flanþ kafasý, kapak vidasý, 1-3/4 in. uzunluðunda tavsiye edilir (Graco PN 120226)
- ⚠ 1.0 in. NPT Diþi
- ⚠ 0.75 in. NPS Diþi döner (Teslim edildiði þekliyle montaj ile)
- ⚠ 1.25 in. NPT Erkek

GH733: Parça No. 24U326 ve GH5040: Parça No. 24U327



Notlar



A series of horizontal lines for writing notes, starting from the first line below the pencil icon and continuing down the page.

GH2570: Parça No. 24U325

FN	Part No.	Description	Qty
1	16U773	BRACKET, mount, pump, painted	1
4	111802	SCREW, cap, hex hd	2
5*	109570	WASHER, plain	2
6*	116084	PACKING, o-ring	2
7*	287869	KIT, repair, cylinder, hydraulic (4GPM)	1
8*	15G559	HOUSING, hydraulic motor, lower	1
9	16U339	ROD, tie	3
10	101712	NUT, lock	3
11*	287868	KIT, repair, piston/rod, hydraulic	1
12	111337	FITTING, tee, street	1
13	157785	FITTING, swivel	1
14	224441	VALVE, ball	1
15	100505	BUSHING, pipe	1
16	156172	FITTING, union, swivel	1
17	184470	FITTING, outlet	1
21*	120138	SCREW, cap, socket head	3
22	184096	NUT, coupling	1
23	222796	PUMP, recip, displ (18cm-cstl)	1
24*	120202	SCREW, cap sch	3
25	184130	COLLAR, coupling	2
26	16U420	COUPLER, rod, pump	1
27	16U421	COLLAR, coupling, rod, pump	2
28	100088	ELBOW, street, pipe, 90 de	1
29*	117607	FITTING, elbow std thd	1
30*	101970	PLUG, pipe, hdls	1
31*	117609	FITTING, tee, branch, str thd	1
32*	120065	FITTING, hydraulic	1
33	109213	PACKING, o-ring	1
34*	287841	TUBE, rigid, hydraulic	1
35	288061	CAP, hydraulic head, includes 38	1
36*	16U557	LABEL, brand	1
37*	15G878	LABEL, Graco logo	1
38*	15B063	LABEL, warning, hot surface	1
39*	120226	SCREW, hex hd, flange	4
40*	15H108	LABEL, pinch point	1
42	15G501	SLEEVE, valve, hydr, motor	1

FN	Part No.	Description	Qty
43	15G503	STOP, valve, hydraulic motor	1
44	15D256	SCREW, cap, sch	2
45	101947	BALL, bearing	2
46	15G270	YOKE, arm, hydraulic motor	2
48	105270	SCREW, shoulder, sch	4
49	184278	TOOL, wrench, packing nut	1
53	287870	KIT, repair, packing, hydraulic, includes 6	1
53a		BEARING, piston	1
53b		O-RING, piston	1
53c		SEAL, piston, hydraulic motor	1
53d		SEAL, rod	1
53e		BEARING, rod	1
53f		WIPER, rod	1
91	120146	SPRING, compression	1
1	16U773	BRACKET, mount, pump, painted	1

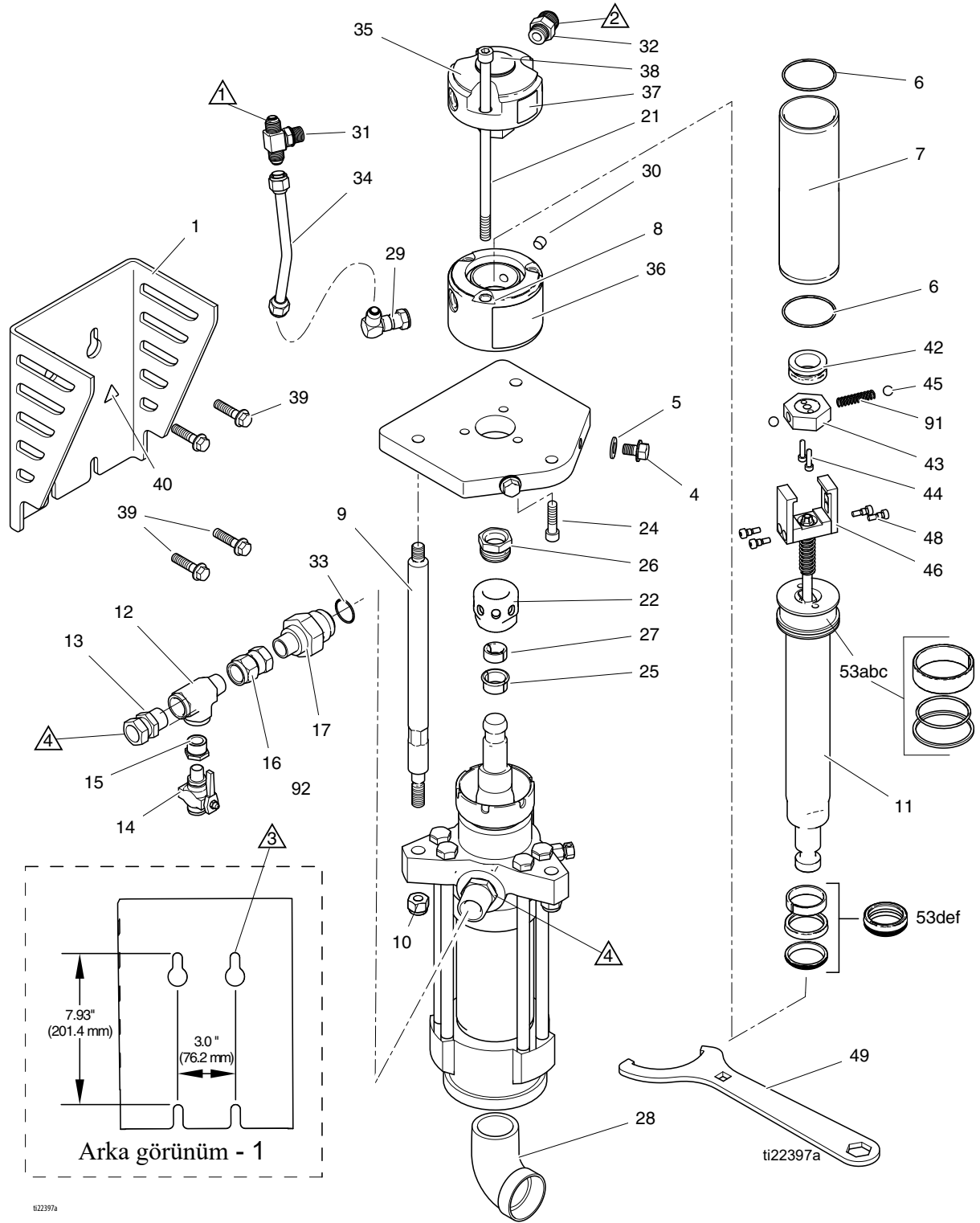
Tehlike ve Uyarı etiketleri, pusula ve kartları ücretsiz olarak mevcuttur.

** Hidrolik Motor Tamir Takımı 24Y566'da bulunur*

Madde Tanıymı

- △ HÝDROLÝK GÝRÝÞ, 3/4 in. - 16 UNF 2A, 37° kvrk erkek
- △ HÝDROLÝK DÖNÜÞ, 1-1/6 in. - 12 UN 2A, 37° kvrk erkek
- △ MONTAJ YUVASI, 4X, 7/16 in. - 14 UNC 2B, flanþ kafasý, kapak vidasý, 1-3/4 in. uzunluðunda tavsiye edilir (Graco PN 120226)
- △ 1.5 in. NPT Erkek 0.75 in. NPS Diði döner (Teslim edildiði Őekliyle montaj ile)
- △ 2.0 in. NPT Diði

GH2570: Parça No. 24U325



ti22397a

GH933: Parça No. 24U328

FN	Part No.	Description	Qty
1	16U773	BRACKET, mount, pump, painted	1
2*	116554	WASHER, flat	1
3*	C20019	SCREW, cap socket head	1
4	111802	SCREW, cap, hex hd	2
5	109570	WASHER, plain	2
6*	116084	PACKING, o-ring	2
7*	287869	KIT, repair, cylinder, hydraulic (4GPM)	1
8*	15G559	HOUSING, hydraulic motor, lower	1
9	16U336	ROD, tie	3
10	101712	NUT, lock	3
11*	287868	KIT, repair, piston/rod, hydraulic	1
21*	120138	SCREW, cap, socket head	3
23	L145C2	LOWER, xtreme, 145, w/ filter, xseal	1
24*	120202	SCREW, cap sch	3
25*	244819	COUPLING, assembly, 145-290 xtreme	1
26*	197340	COVER, coupler	1
27	244820	CLIP, hairpin (w/ lanyard)	1
28	116401	ADAPTER, elbow	1
29*	117607	FITTING, elbow std thd	1
30*	101970	PLUG, pipe, hdls	1
31*	117609	FITTING, tee, branch, str thd	1
32*	120065	FITTING, hydraulic	1
34*	287841	TUBE, rigid, hydraulic	1
35	288061	CAP. hydraulic head, includes 38	1
36*	16U557	LABEL, brand	1
37*	15G878	LABEL, Graco logo	1
38*	15B063	LABEL, warning, hot surface	1
39*	120226	SCREW, hex hd, flange	4
40*	15H108	LABEL, pinch point	1
42	15G501	SLEEVE, valve, hydr, motor	1
43	15G503	STOP, valve, hydraulic motor	1
44	15D256	SCREW, cap, sch	2

FN	Part No.	Description	Qty
45	101947	BALL, bearing	2
46	15G270	YOKE, arm, hydraulic motor	2
48	105270	SCREW, shoulder, sch	4
53	287870	KIT, repair, packing, hydraulic, includes 6	1
53a		BEARING, piston	1
53b		O-RING, piston	1
53c		SEAL, piston, hydraulic motor	1
53d		SEAL, rod	1
53e		BEARING, rod	1
53f		WIPER, rod	1
91	120146	SPRING, compression	1

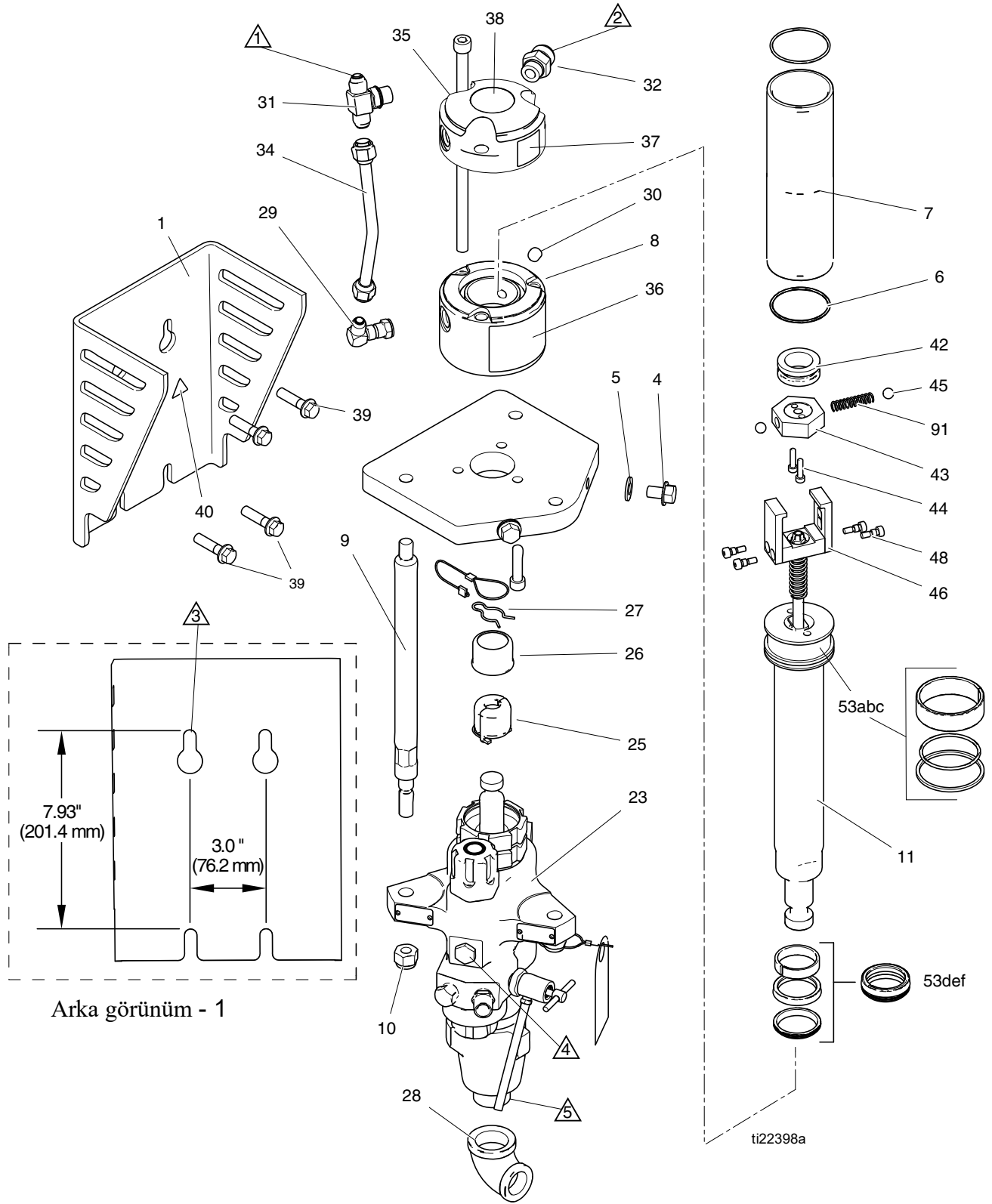
Tehlike ve Uyarı etiketleri, pusula ve kartları ücretsiz olarak mevcuttur.

** Hidrolik Motor Tamir Takımı 24Y566'da bulunur*

Madde Tanýmý

- △1 HÝDROLÝK GÝRÝP, 3/4 in. - 16 UNF 2A, 37° kývrýk erkek
- △2 HÝDROLÝK DÖNÜP, 1-1/6 in. - 12 UN 2A, 37° kývrýk erkek
- △3 MONTAJ YUVASI, 4X, 7/16 in. - 14 UNC 2B, flanþ kafasý, kapak vidasý, 1-3/4 in. uzunluðunda tavsiye edilir (Graco PN 120226)
- △4 0.5 in. NPT Erkek
0.5 in. NPS Female (Teslim edildiði şekliyle montaj ile)
- △5 1.25 in. NPT Diði

GH933: Parça No. 24U328



Teknik Bilgiler

GH833: Parça No. 249767, 253473

Boya/Hidrolik Oraný	1,45:1
Kullanýcý Tedarikli Giriþ	
• Maks. Hidrolik Basýnç	2750 psi (190 bar, 19,0 MPa)
• Gereken Hidrolik Akýþ	6,25 gpm (23,6 lpm)
Maks Devir Hýzý	64 cpm
Birim çýkýþý	
• Maks. Sývý Basýncý	4000 psi (27,6 MPa, 275 bar)
• Maks Akýþ	4 gpm (15,1 lpm)
Ölçüler	
Yükseklik	39,5 in. (1003 mm)
Geniþlik	7,5 in. (190,5 mm)
Derinlik	5,5 in. (140 mm)
Aðýrlýk	63 lbs (28,6 kg)

GH733: Parça No. 24U326

Boya/Hidrolik Oraný	1,45:1
Kullanýcý Tedarikli Giriþ	
• Maks. Hidrolik Basýnç	2750 PSI (19,0 MPa, 190 bar)
• Gereken Hidrolik Akýþ	6,25 gpm (23,6 lpm)
Maks Devir Hýzý	64 cpm
Birim çýkýþý	
• Maks. Sývý Basýncý	4000 psi (2,6 MPa, 276 bar)
• Maks Akýþ	4 gpm (15,1 lpm)
Ölçüler	
Yükseklik	40 in. (1016 mm)
Geniþlik	9,0 in. (229 mm)
Derinlik	8,8 in. (223,5 mm)
Aðýrlýk	99 lbs (41,9 kg)

GH5040: Parça No. 24U327

Boya/Hidrolik Oraný	1,82:1
Kullanýcý Tedarikli Giriþ	
• Maks. Hidrolik Basýnç	2750 PSI (19,0 MPa, 190 bar)
• Gereken Hidrolik Akýþ	6,25 gpm (23,6 lpm)
Maks Devir Hýzý	64 cpm
Birim çýkýþý	
• Maks. Sývý Basýncý	5000 psi (34,5 MPa, 345 bar)
• Maks Akýþ	3,5 gpm (13,2 lpm)
Ölçüler	
Yükseklik	43,3 inches (1099,8 mm)
Geniþlik	9,0 inches (229 mm)
Derinlik	8,7 inches (221 mm)
Aðýrlýk	103 lbs (46,7 kg)

GH2570: Parça No. 24U325

Boya/Hidrolik Oraný	0,9:1
Kullanýýçy Tedarikli Giriş	
• Maks. Hidrolik Basýnç	2750 PSI (19,0 MPa, 190 bar)
• Gereken Hidrolik Akýþ	6,25 gpm (23,6 lpm)
Maks Devir Hýzý	64 cpm
Birim çýkýþý	
• Maks. Sývý Basýnçý	2500 psi (17,2 MPa, 172 bar)
• Maks Akýþ	7 gpm (26,5 lpm)
Ölçüler	
Yükseklik	47,1 inches (1196 mm)
Geniþlik	9,0 inches (229 mm)
Derinlik	8,7 inches (221 mm)
Aðýrlýk	136 lbs (61,7 kg)

GH933: Parça No. 24U328

Boya/Hidrolik Oraný	2,64:1
Kullanýýçy Tedarikli Giriş	
• Maks. Hidrolik Basýnç	2750 PSI (19,0 MPa, 190 bar)
• Gereken Hidrolik Akýþ	6,25 gpm (23,6 lpm)
Maks Devir Hýzý	64 cpm
Birim çýkýþý	
• Maks. Sývý Basýnçý	7250 psi (50 MPa, 500 bar)
• Maks Akýþ	2,5 gpm (9,5 lpm)
Ölçüler	
Yükseklik	41,4 inches (1052 mm)
Geniþlik	9,17 inches (233 mm)
Derinlik	9,6 inches (244 mm)
Aðýrlýk	103 lbs (46,7 kg)

For the latest information about Graco products, visit www.graco.com.

For patent information, see www.graco.com/patents.

TO PLACE AN ORDER, contact your Graco distributor or call 1-800-690-2894 to identify the nearest distributor.

*All written and visual data contained in this document reflects the latest product information available at the time of publication.
Graco reserves the right to make changes at any time without notice.*

Patent bilgileri için bkz. www.graco.com/patents.

Orijinal talimatların çevirisi. This manual contains Turkish. MM 311492

Graco Headquarters: Minneapolis
International Offices: Belgium, China, Japan, Korea

GRACO INC. AND SUBSIDIARIES • P.O. BOX 1441 • MINNEAPOLIS MN 55440-1441 • USA

Copyright 2006, Graco Inc. All Graco manufacturing locations are registered to ISO 9001.

www.graco.com

Revised G, August 2022