

Tool Box Kit 287253

3106590C

EN

Installation

All GMax Sprayers with pre-drilled holes

Fig. 1 Install as shown with screws (2), supplied.

All electrical sprayers with pre-drilled holes

Fig. 1 Install as shown with screws (2), supplied.

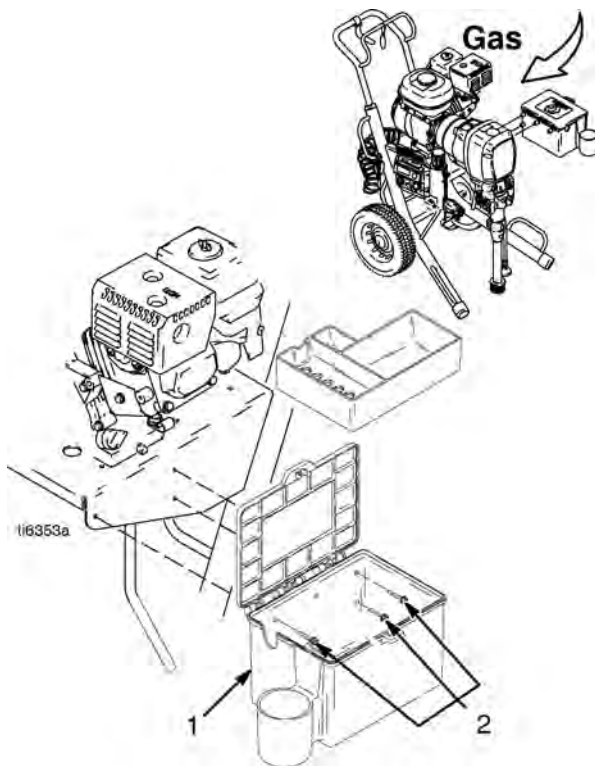


Fig. 1

All other sprayers without pre-drilled holes

1. use tool box as template and mark three hole positions for tool box mounting.
2. Drill three 11/64 in. (4.37 mm) diameter holes.
3. Fig. 2 Install as shown with screws (2), supplied.

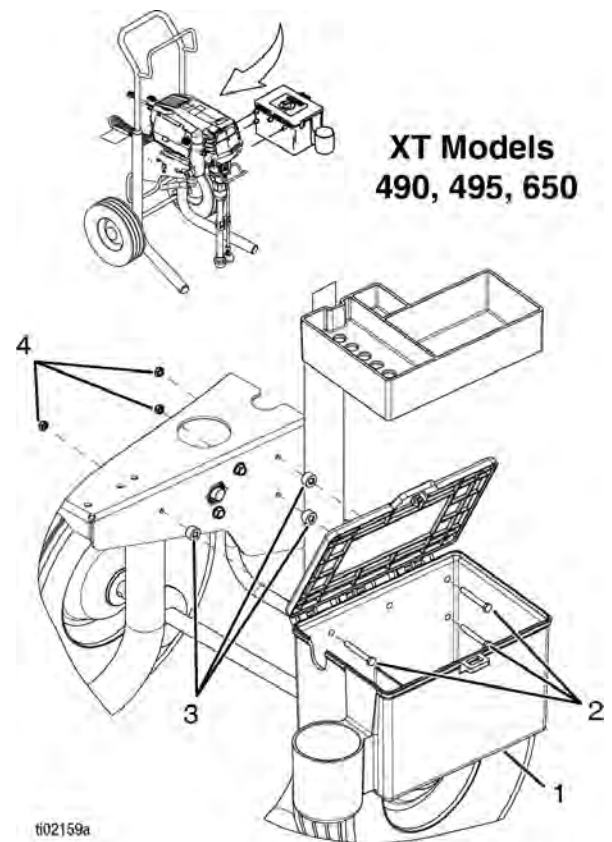


Fig. 2

*All written and visual data contained in this document reflects the latest product information available at the time of publication.
Graco reserves the right to make changes at any time without notice.*

Original instructions. This manual contains English. MM 310659

Graco Headquarters: Minneapolis

International Offices: Belgium, China, Japan, Korea

GRACO INC. AND SUBSIDIARIES • P.O. BOX 1441 • MINNEAPOLIS MN 55440-1441 • USA
Copyright 2004, Graco Inc. All Graco manufacturing locations are registered to ISO 9001.

www.graco.com
Revision C, September 2024