

Ultra Max II 695/795/1095™

309952E

– For Portable Airless Spraying of Architectural Coatings and Paint –

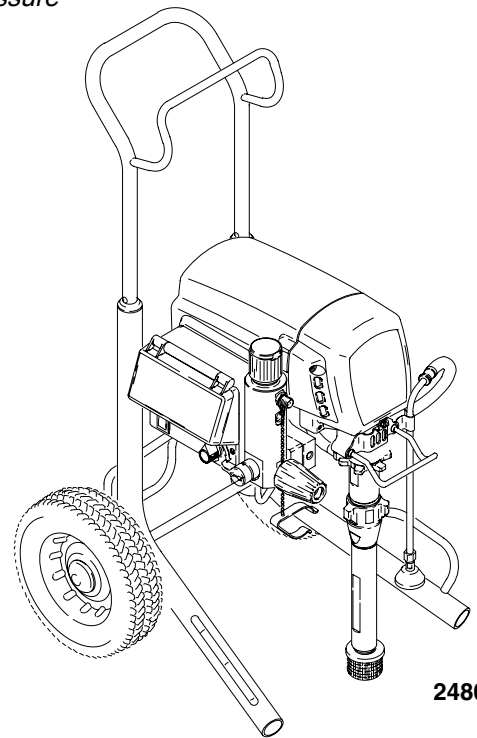
3300 psi (228 bar, 22.8 MPa) Maximum Working Pressure

240 Vac Asia

Ultra Max II	Series	Lo-boy	Hi-boy
695	A	248058	248057
795	A		248059
1095	A		248060

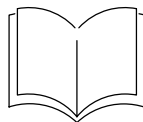
240 Vac Australia

Ultra Max II	Series	Lo-boy	Hi-boy
695	A	248593	248592
795	A	249431	248594
1095	A		248595



248057

Related manuals



..... 309935



..... 309639



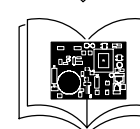
..... 309941



..... 310643



..... 309640

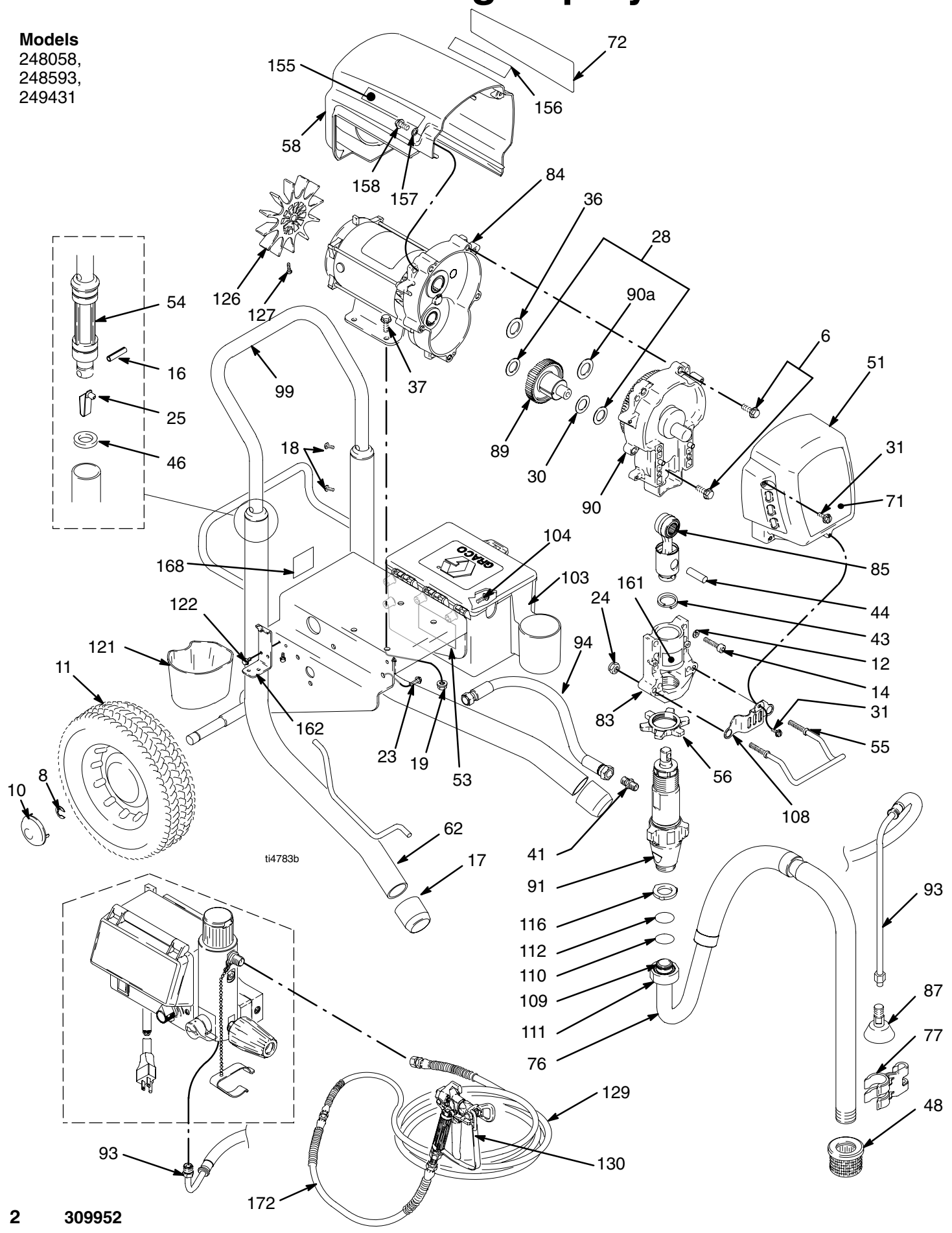


..... 310657

PROVEN QUALITY. LEADING TECHNOLOGY.

Parts Drawing - Sprayer

Models
248058,
248593,
249431



Parts List - Sprayer

Ultra Max 695: 248058, B; 248593, B

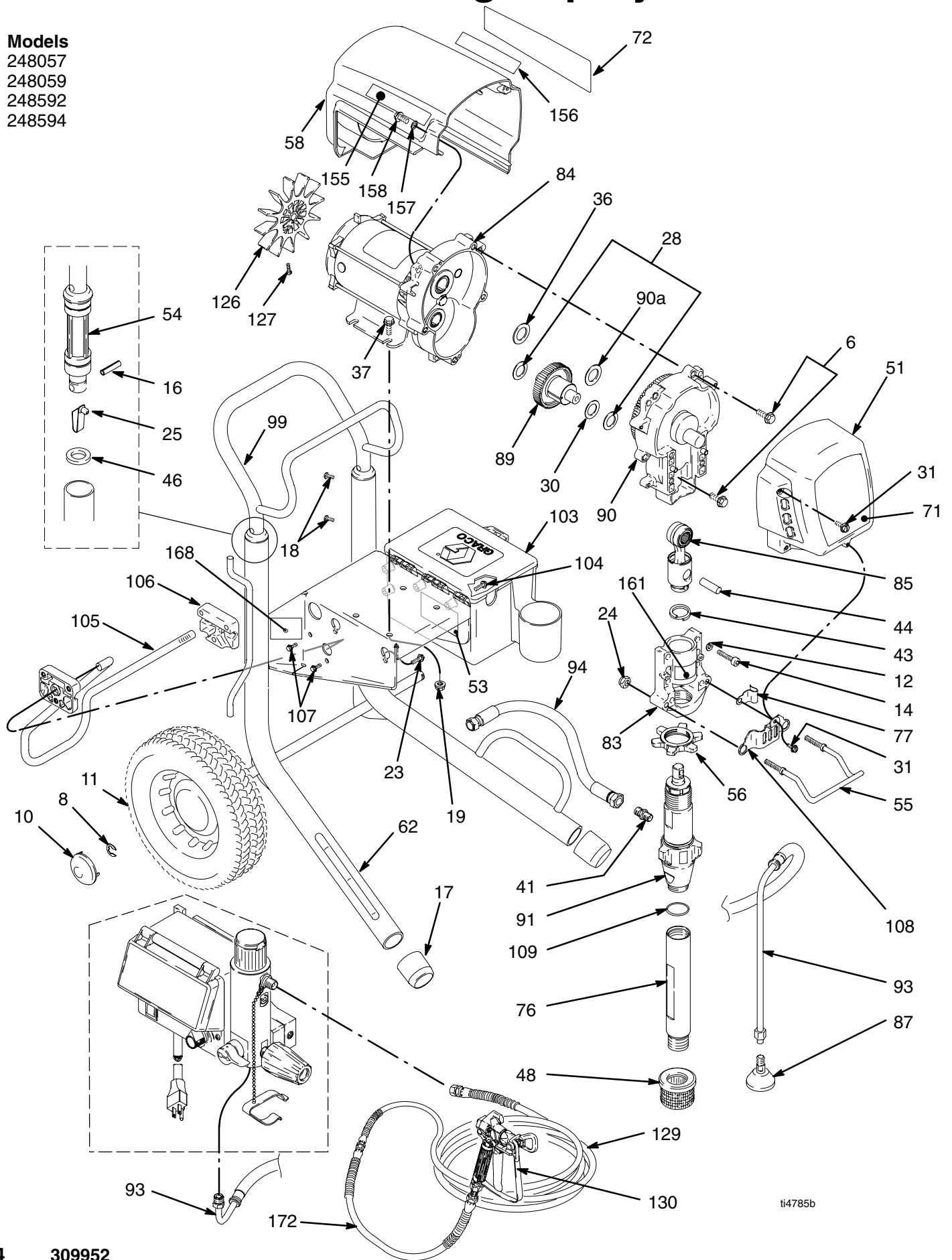
Ultra Max 795: 249431, B

Ref No.	Part No.	Description	Qty	Ref No.	Part No.	Description	Qty
6	15C753	SCREW, mach, torx, hex wash hd	5	79	206994	FLUID, TSL, 8 oz (not shown)	1
8	101242	RING, retaining, ext	2	83	240523	HOUSING, bearing, includes 24, 55	1
10	104811	CAP, hub	2	84		MOTOR, electric; includes 126, 127	1
11	106062	WHEEL, semi pneumatic	2		287241	Ultra Max 695	
12	106115	WASHER, lock spring (hi-collar)	4		287242	Ultra Max 795	
14	110141	SCREW, cap, socket hd	4	85	241008	ROD, connecting; includes 43	1
16	101354	PIN, spring	2	87	241920	DEFLECTOR, threaded	1
17	15C871	CAP, leg	2	89	287289	GEAR, combination; includes 28, 30	1
18	109032	SCREW, mach, pnh	4	90		HOUSING, drive; includes 6, 36, 90a	1
19	110996	NUT, hex, flanged	4		287283	Ultra Max 695	
23	110963	SCREW, cap, flng hd	2		287284	Ultra Max 795	
24	112746	NUT, hex	2	90a	107089	WASHER, thrust	1
25	112827	BUTTON, snap	2	91	248204	PUMP, displacement; includes 109	1
28	114672	WASHER, thrust	2			Manual, 310643	
30	114699	WASHER, thrust	1	93	248217	HOSE, drain; includes 87	1
31	118444	SCREW, machine hex washer head	1	94	15D049	HOSE	1
36	116191	WASHER, thrust	1	99	15G023	HANDLE, cart	1
37	100057	SCREW, hex hd	4	103	287253	TOOL BOX; includes 104	1
41	162453	NIPPLE, (1/4 npsm x 1/4 npt)	1	104	118852	SCREW, hex washer hd	3
43	176817	SPRING, retaining	1	108	15C859	SHIELD, pump rod	1
44	176818	PIN, str, hdls	1	109	117559	O-RING	2
46	183350	WASHER	2	110	15C981	WASHER, suction swivel	1
48	189920	STRAINER, (1-11 1/2 npsm)	1	111	15C980	NUT, jam	1
51	287291	COVER, drive, painted; includes 31, 157, 158	1	112	118505	RING, retaining, external	1
54	192027	SLEEVE, cart	2	116	115099	WASHER, garden hose	1
55	15D416	HANGER, pail	1	121	276975	CUP, drain	1
56	192723	NUT, retaining	1	122	114423	SCREW, hex hd	2
58		SHIELD, motor, painted; includes 157, 158	1	126	15D088	FAN, motor	1
	287281	Ultra Max 695		127	115477	SCREW, mach., torx pan hd	1
	287282	Ultra Max 795		128▲	222385	TAG, WARNING, (not shown)	1
62	287168	FRAME, cart, Lo-boy	1	129	240794	HOSE, cpld, 1/4 x 50 ft, unpkgd	1
71		LABEL, front	1	130		GUN	1
	15D065	Ultra Max 695			246233	Manual 309639	
	15D068	Ultra Max 795				Asia	1
72		LABEL, side	1		246220	Australia	1
	15D066	Ultra Max 695		157	276980	GROMMET	2
	15D069	Ultra Max 795		158	119250	SCREW, shoulder	2
76	248216	HOSE, suction; includes 109, 110, 111, 112, 116	1	161	187436	LABEL, torque	1
77	15D000	CLIP, drain line	1	162	15F952	BRACKET, suction	1
				168	195767	LABEL, danger	1
				172	238358	HOSE, cpld, 3/16 in. x 3 ft	1

▲ Extra Danger and Warning tags and labels available free.

Parts Drawing - Sprayer

Models
 248057
 248059
 248592
 248594



ti4785b

Parts List - Sprayer

Ultra Max 695: 248057, B; 248592, B

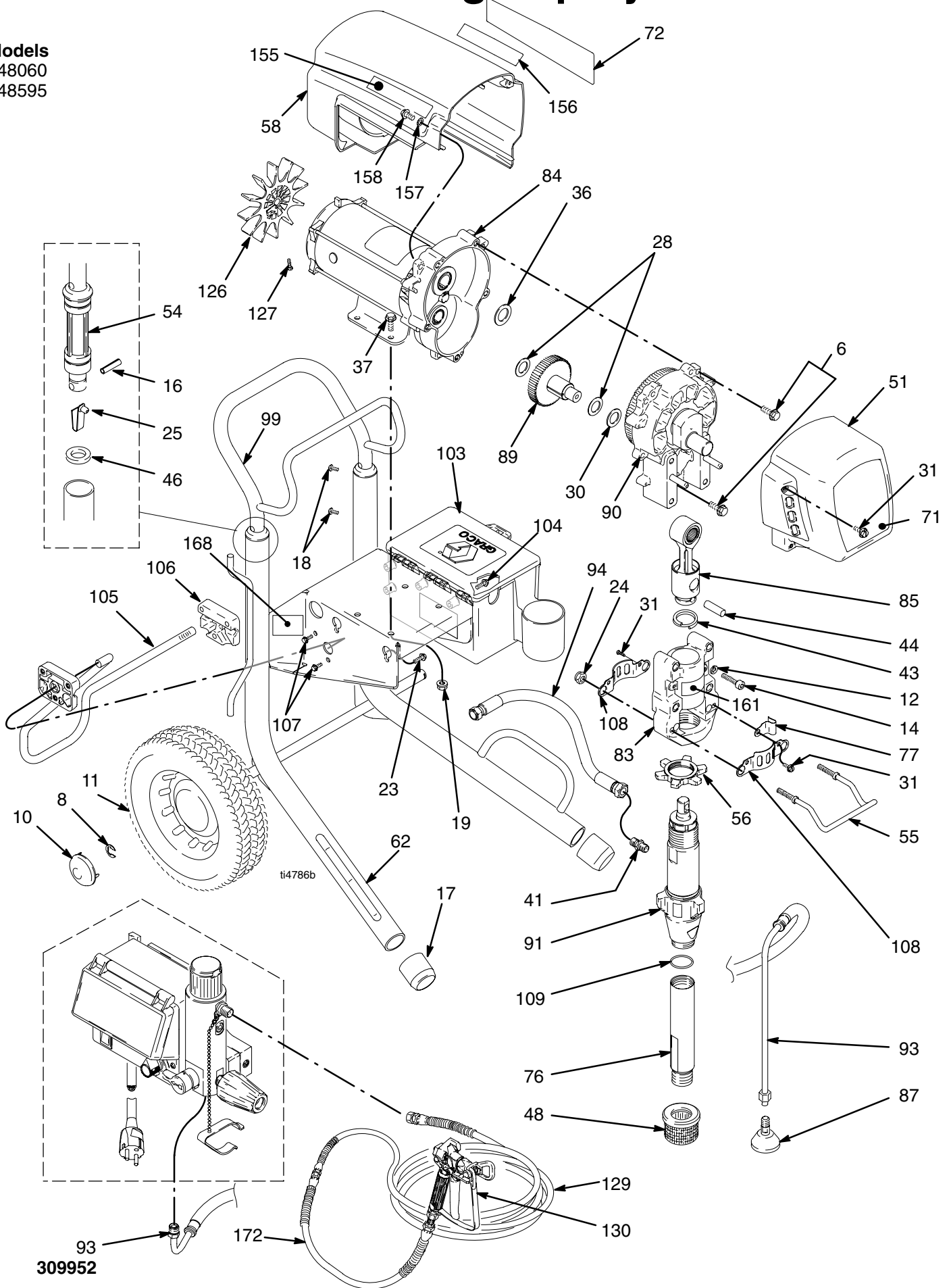
Ultra Max 795: 248059, B; 248594, B

Ref .	Part No.	Description	Qty	Ref	Part No.	Description	Qty
6	15C753	SCREW, mach, torx, hex wash hd	5	77	197124	CLIP, spring	1
8	101242	RING, retaining, ext.	2	79	206994	FLUID, TSL, 8 oz (not shown)	1
10	104811	CAP, hub	2	83	240523	HOUSING, bearing; includes 24, 55	1
11	106062	WHEEL, semi pneumatic	2	84		MOTOR, electric; includes 126, 127	
12	106115	WASHER, lock spring (hi-collar)	4		287241	695	1
14	110141	SCREW, cap, socket hd	4		287242	795	1
16	101354	PIN, spring straight	2	85	241008	ROD, connecting; includes 43	1
17	15C871	CAP, leg	2	87	241920	DEFLECTOR, threaded	1
18	109032	SCREW, mach, pnh	4	89	287289	GEAR, combination; includes 28, 30	1
19	110996	NUT, hex, flanged	4	90		HOUSING, drive; includes 6, 36, 90a	
23	110963	SCREW, cap, flng hd	2		287283	695	1
24	112746	NUT, hex	2		287284	795	1
25	112827	BUTTON, snap	2	90a	107089	WASHER, thrust	1
28	114672	WASHER, thrust	2	91	248204	PUMP, displacement	1
30	114699	WASHER, thrust	1			Manual 310643	
31	118444	SCREW, mach hex washer head	1	93	248217	HOSE, coupled; includes 87	1
36	116191	WASHER, thrust	1	94	15D049	HOSE	1
37	100057	SCREW, hex hd	4	99	245245	HANDLE, cart	1
41	162453	NIPPLE, (1/4 npsm x 1/4 npt)	1	103	287253	TOOL BOX; includes 104	1
43	176817	SPRING, retaining	1	104	118852	SCREW, hex washer hd	3
44	176818	PIN, str, hdls	1	105	15D281	HANGER, stand, cart	1
46	183350	WASHER	2	106	15C982	CAM, cart	2
48	189920	STRAINER, (1-11 1/2 npsm)	1	107	114531	SCREW, flange, hex	4
51	287291	COVER, drive, painted	1	108	15C859	SHIELD, pump rod	1
		includes 31, 157, 158		109	118494	O-RING	1
54	192027	SLEEVE, cart	2	126	15D088	FAN, motor	1
55	192719	HANGER, paiL	1	127	115477	SCREW, mach, torx pan hd	1
56	192723	NUT, retaining	1	128▲	222385	TAG, WARNING (not shown)	1
58		SHIELD, motor, painted;		129	240794	HOSE, cpld, 1/4 in. x 50 ft	1
		includes 157, 158		130		GUN	1
	287281	695	1			Manual 309639	
	287282	795	1		246233	Asia	1
62	287165	FRAME, cart	1		246220	Australia	1
71		LABEL, front		157	276980	GROMMET	2
	15D065	695	1	158	119250	SCREW, shoulder	2
	15D068	795	1	161	187436	LABEL, torque	1
72		LABEL, side		168	195767	LABEL, danger	1
	15D066	695	1	172	238358	HOSE, cpld, 3/16 in. x 3 ft	1
	15D069	795	1				
76	248214	TUBE, intake; includes 109	1				

▲ Extra Danger and Warning tags and labels available free.

Parts Drawing - Sprayer

Models
248060
248595



Parts List - Sprayer

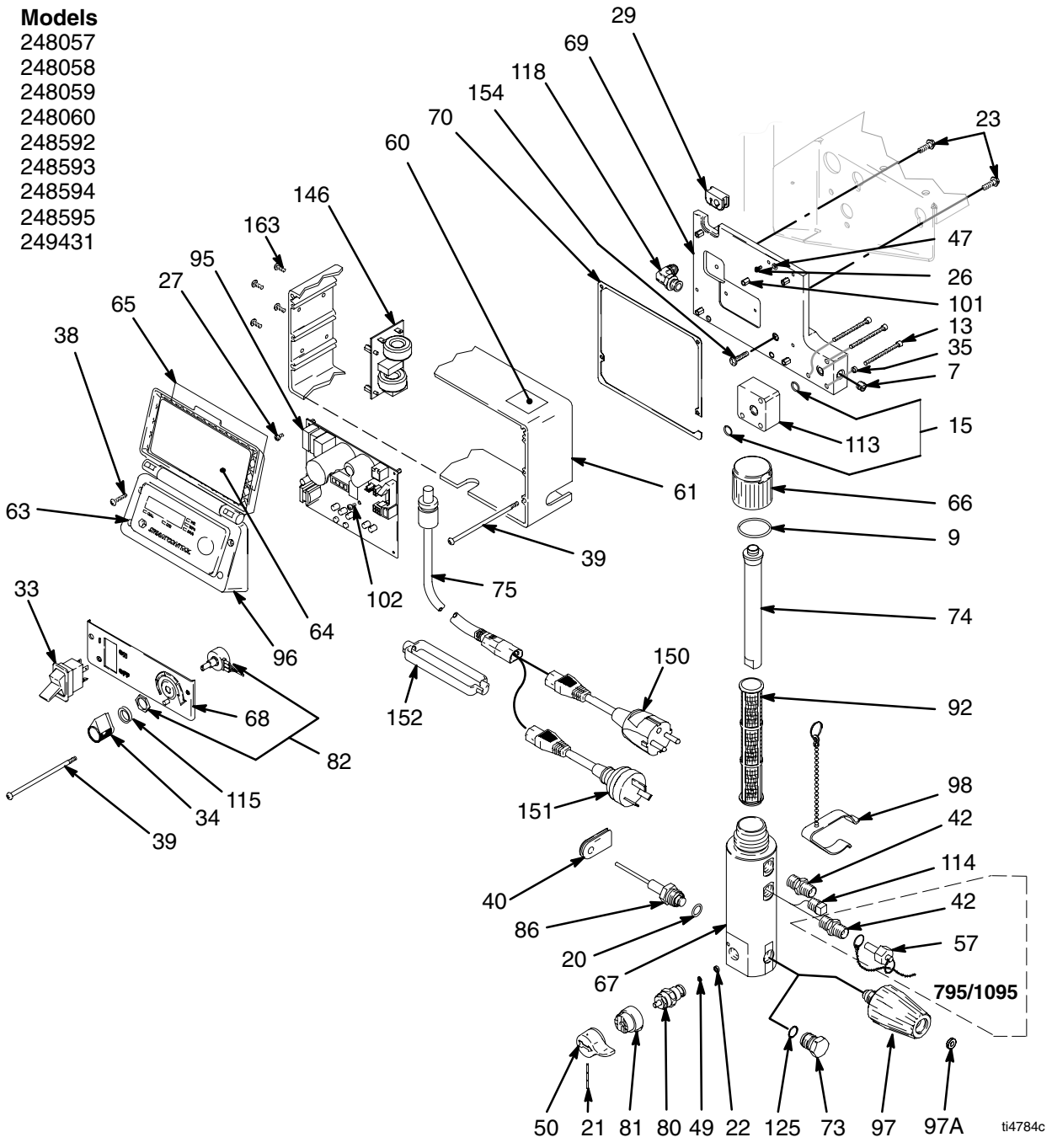
Ultra Max 1095: 248060, B; 248595, B

Ref .	Part No.	Description	Qty	Ref	Part No.	Description	Qty
6	15C753	SCREW, mach, torx, hex wash hd	5	77	197124	CLIP, spring	1
8	101242	RING, retaining, ext.	2	79	206994	FLUID, TSL, 8 oz (not shown)	1
10	104811	CAP, hub	2	83	241015	HOUSING, bearing; includes 24, 55	1
11	179811	WHEEL, semi pneumatic	2	84	287243	MOTOR, electric; includes 126, 127	1
12	106115	WASHER, lock spring (hi-collar)	4	85	241279	ROD, connecting; includes 43	1
14	114666	SCREW, cap, socket hd	4	87	241920	DEFLECTOR, threaded	1
16	108068	PIN, spring straight	2	89	287290	GEAR, combination; includes 28, 30	1
17	276974	CAP, leg	2	90	287295	HOUSING, drive; includes 6, 36	1
18	108795	SCREW, mach, pnh	4	91	248205	PUMP, displacement	1
19	110996	NUT, hex, flanged	4			Manual 310643	
23	110963	SCREW, cap, flng hd	2	93	248217	HOSE, coupled; includes 87	1
24	112746	NUT, hex	2	94	15D360	HOSE	1
25	112827	BUTTON, snap	2	99	245245	HANDLE, cart	1
28	114672	WASHER, thrust	2	103	287253	TOOL BOX; includes 104	1
30	114699	WASHER, thrust	1	104	118852	SCREW, hex washer hd	3
31	118444	SCREW, mach hex washer head	4	105	15C858	HANGER, stand, cart	1
36	116192	WASHER, thrust	1	106	15C982	CAM, cart	2
37	100057	SCREW, hex hd	4	107	114531	SCREW, flange, hex	4
41	162485	NIPPLE, (3/8 npsm x 3/8 npt)	1	108	15C762	SHIELD, pump rod	2
43	183169	SPRING, retaining	1	109	118494	O-RING	1
44	183210	PIN, str, hdls	1	126	15D088	FAN, motor	1
46	183350	WASHER	2	127	115477	SCREW, mach, torx pan hd	1
48	189920	STRAINER, (1-11 1/2 npsm)	1	128▲	222385	TAG, WARNING (not shown)	1
51	287292	COVER, drive, painted	1	129	240794	HOSE, cpld, 1/4 in. x 50 ft	1
		includes 157, 158		130		GUN	1
54	191084	SLEEVE, cart	2			Manual 309639	
55	192719	HANGER, paiL	1		246233	Asia	1
56	193031	NUT, retaining	1		246220	Australia	1
58	287282	SHIELD, motor, painted;	1	157	276980	GROMMET	2
		includes 157, 158		158	119250	SCREW, shoulder	2
62	287207	FRAME, cart	1	161	187437	LABEL, torque	1
71	15D071	LABEL, front	1	168	195767	LABEL, danger	1
72	15D072	LABEL, side	1	172	238358	HOSE, cpld, 3/16 in. x 3 ft	1
76	248215	TUBE, intake; includes 109	1	▲		Extra Danger and Warning tags and labels available free.	

Parts Drawing - Sprayer

Models

- 248057
- 248058
- 248059
- 248060
- 248592
- 248593
- 248594
- 248595
- 249431



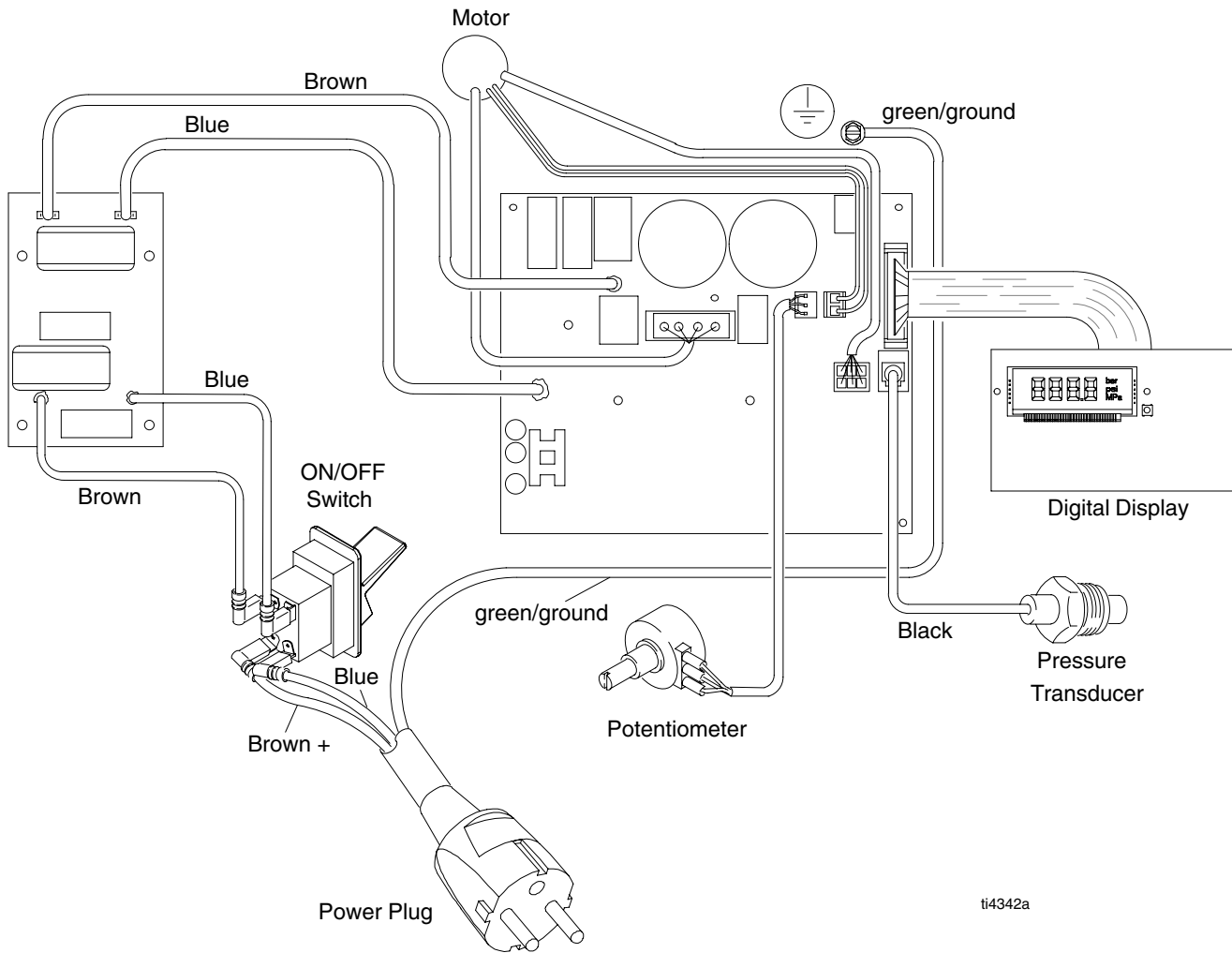
ti4784c

Parts List - Sprayer

Ultra Max II 695/795/1095

REF NO.	PART NO.	DESCRIPTION	QTY	REF NO.	PART NO.	DESCRIPTION	QTY
7	100721	PLUG, pipe	1	70	15D036	GASKET, control box	1
9	117285	O-RING	1	73	248314	PLUG, AutoClean, includes 125	1
13	C19817	SCREW, cap, socket hd	3	74	15C766	TUBE, diffusion	1
15	107505	O-RING	2	75	15D529	CORD, power	1
20	111457	O-RING	1	80	235014	VALVE, drain; includes 22, 49	1
21	15C972	PIN, grooved	1	81	224807	BASE, valve	1
22	111699	GASKET, seat, valve	1	82	236352	POTENTIOMETR, adj, pressure	1
23	110963	SCREW, cap, flg hd	2	86	243222	TRANSDUCER, press ctrl; includes 20	1
26	114391	SCREW, grounding	1	92		FILTER, fluid	
27	113045	SCREW, sems, mach, phil truss	5		244071	30 mesh	1
29	15D087	GROMMET	1		244067	60 mesh, original equipment	1
33	15D527	SWITCH, rocker	1		244068	100 mesh	1
34	116167	KNOB, potentiometer	1		244069	200 mesh	1
35	105510	WASHER, lock, spring (hi-collar)	3	95	287248	CONTROL, bd, 240V; includes 27, 102	1
38	116252	SCREW, #8 taptite phil	4	96	287286	COVER, control	
39	112381	SCREW, mach, pan hd	4			includes 38, 63, 64, 65	1
40	15D033	GROMMET, transducer	1	97	287293	VALVE, AutoClean; includes 97a	1
42		ADAPTER		97a	15F950	GASKET	1
	164672	695	1	98	244346	KIT, repair, clamp, trigger	1
	164672	795/1095	2	101	15D160	STUD, board	5
47	186620	LABEL, symbol, ground	1	102	114420	SCREW, mach, pnh, sems	3
49	187615	SEAT, valve	1	113	15F844	SPACER, filter, base	1
50	15C780	HANDLE, valve, drain	1	114	104813	PLUG, pipe	1
57	240131	STEM, plug, packless	1	115	15C973	GASKET	1
60▲		LABEL, WARNING		118		FITTING, elbow, hydraulic	1
	195792	Asia	1		116793	695, 795	1
	195833	Australia	1		118896	1095	1
61	15D431	BOX, control	1	125	15D541	GASKET	1
63	198648	LABEL, LCD	1	146	248220	FILTER BOARD	1
64	15D063	LABEL, instruction	1	150	242001	CORD, power, CEE/7	1
65	196670	LABEL, cover, control box	1	151	242005	CORD, power, Australia	1
66	287285	CAP, filter; includes 9, 74	1	152	195551	RETAINER, plug	1
67	15C838	BASE, filter	1	154	115478	SCREW, Torx, pan hd	1
68	15C947	PANEL, control	1	163	119228	SCREW, mach, flat hd	4
69	15C840	PLATE, power bar	1				

Wiring Diagram



ti4342a

TO PLACE AN ORDER OR FOR SERVICE, contact your Graco distributor, or call this number to identify the distributor near you: **1-800-690-2894 Toll Free**

All written and visual data contained in this document reflects the latest product information available at the time of publication. Graco reserves the right to make changes at any time without notice.

This manual contains English GN 309952 MM 309952

Graco Headquarters: Minneapolis
International Offices: Belgium, China, Japan, Korea
GRACO INC. P.O. BOX 1441 MINNEAPOLIS, MN 55440-1441
www.graco.com

PRINTED IN USA 309952
 3/2004, Rev. 8/2005