

# Instructions – Parts List



## Air Filters, Lubricators, and Kits

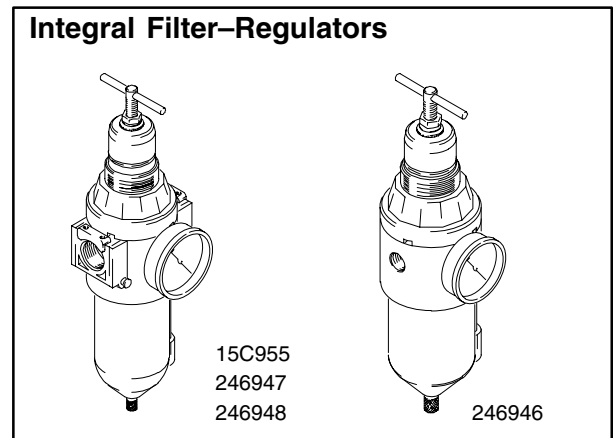
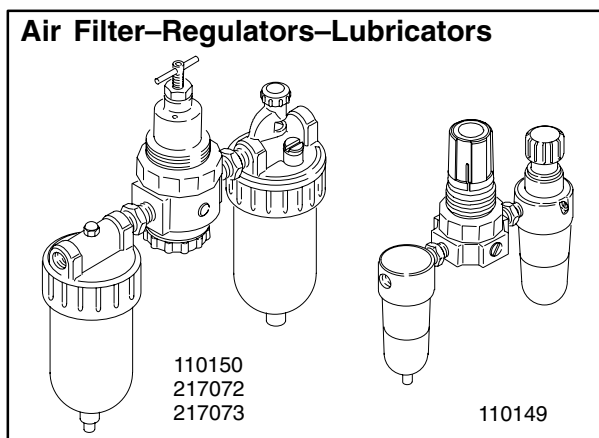
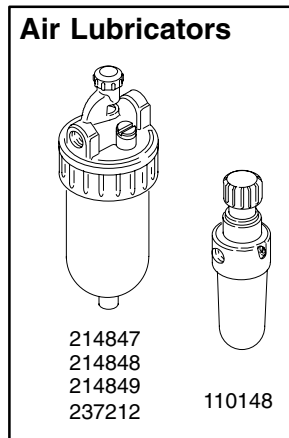
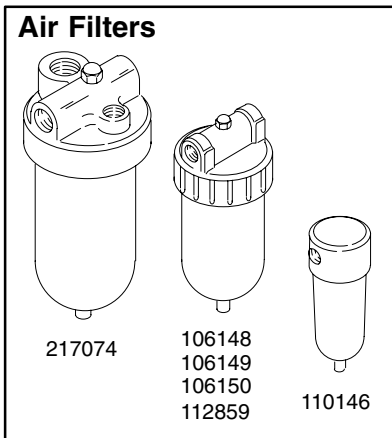
308169J

Maximum Temperature Range: 40–150 °F (4–65 °C)



### Important Safety Instructions.

Read all warnings and instructions in this manual.  
Save these instructions.



# List of Models

## Air Filters

Model No.	Max. SCFM	Pump/System Application	Inlet/Outlet	Maximum WPR* psi (bar)	Bowl Capacity oz (ml)	Filter Micron
110146	22 (0.62)	Husky 715, Prince, Fast-Flo, Fast-Ball	1/4 npt	300 (21)	1 (30)	20
106148	77 (2.2)	President, Fire-Ball, Monark	3/8 npt	250 (17.5)	5 (150)	20
106149	106 (3.0)	Bulldog, Senator, Glutton	1/2 npt	250 (17.5)	8 (240)	20
217074	106 (3.0)	Bulldog, Senator, Glutton	1/2 npt	250 (17.5)	8 (240)	40
106150	250 (7.0)	King	3/4 npt	250 (17.5)	16 (480)	40
112859	350 (10.0)	Premier	1 npt	250 (17.5)	16 (480)	40

## Air Lubricators

Model No.	Max. SCFM	Pump/System Application	Inlet/Outlet	Maximum WPR* psi (bar)	Bowl Capacity oz (ml)
110148	12 (0.34)	Husky, Prince, Fast-Flo, Fast-Ball	1/4 npt	300 (21)	1 (30)
214847	88 (2.5)	President, Fire-Ball, Monark	3/8 npt	250 (17.5)	5 (150)
214848	127 (3.6)	Bulldog, Senator, Glutton	1/2 npt	250 (17.5)	8 (240)
214849	290 (8.1)	King	3/4 npt	250 (17.5)	16 (480)
237212	320 (9.2)	Premier	1 npt	250 (17.5)	16 (480)

## Air Filter-Regulator-Lubricator Kit (F-R-L)

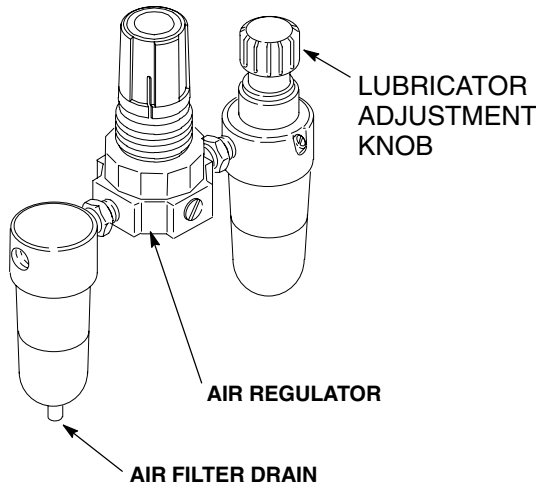
Model No.	Includes			GAUGE	Pump/System Application	Inlet/Outlet	Maximum WPR* psi (bar)
	FILTER	REGULATOR	LUBRICATOR				
110149	110146	110318	110148	110319	Husky 715, Prince, Fast-Flo, Fast-Ball	1/4 npt	300 (21)
110150	106148	110234	214847	101689	President, Fire-Ball, Monark, Standard	3/8 npt	250 (17.5)
217072	106149	104266	214848	101689	Bulldog, Senator, Glutton, Husky 1030	1/2 npt	250 (17.5)
217073	106150	207755	214849	101689	King	3/4 npt	250 (17.5)

## Integral Filter-Regulators

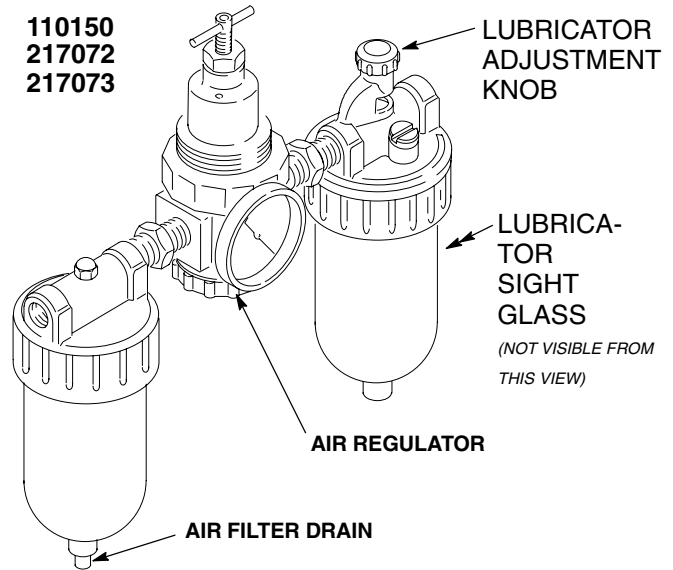
Model No.	FILTER	GAUGE	Pump/System Application	Inlet/Outlet	Maximum WPR* psi (bar)
246946	15C956	C36260	Husky 205, 307, 515/716	1/4 npt	250 (17.5)
246947	15C955	C36260	Husky 1040, 1590, and 2150	1/2 npt	250 (17.5)
246948	15C955	C36260	Husky 3275	3/4 npt	250 (17.5)
15C955	n/a	n/a	n/a	1/2 npt	250 (17.5)

# Installation

Model 110149



Model 110150  
217072  
217073



Before installing any air line components, blow out the pipe line to remove scale and other debris. Use pipe compound or tape sparingly and only on male threads.

Install the components in the pipe line so the flow is in the direction of the arrow stamped on the body.

Locate the air line component(s) as close as possible to the equipment it serves.

Install the air filter upstream from the regulator and/or lubricator.

To provide the user with a variety of assembly options, a bleed-type master air valve is not included with FRL's. See **Accessories** on page 15 to order this valve. Another bleed-type master air valve can be installed upstream from the FRL to isolate it for servicing.

## ⚠ WARNING



### Skin Injection Hazard

To reduce the risk of serious bodily injury, including skin injection, splashing fluid in the eyes or on the skin, or injury from the pump starting unexpectedly, **be sure your system includes a bleed-type master air valve.** Install the air valve between the FRL outlet and the device the FRL is serving. When relieving system air pressure, close the bleed-type master air valve to fully relieve air pressure.

## Mounting Air Accessories

Use a bracket to mount the air accessories to a wall or cart. Do not hang the accessories directly off the air motor inlet, which could be damaged from the weight and operating stress.

## Air Filter

Clean the air filter regularly to maximize filtering efficiency and to avoid excessive pressure drop. Drain contaminants from the bowl before it reaches the baffle level. Open the drain to drain the bowl or fully relieve pressure and remove the bowl. Use household soap and water or denatured alcohol for cleaning. Use compressed air to blow out the filter body. Wash the filter element and blow it out from the inside. Clean the sight glass thoroughly. Do not leave solvent residue in the sight glass, which may attack or weaken it. If the sight glass appears damaged by the solvent, replace it immediately.

An automatic drain accessory, Part No. 106151, is available for most filters, except Model 110146. To install the drain, fully relieve system pressure, remove the o-ring and bowl. Remove the drain from the bowl and insert the automatic drain in its place. Reassemble.

## Regulator

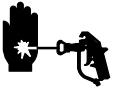
The regulator reduces the air supply pressure to a specified, constant downstream pressure to maximize equipment performance. Preset pressures can be locked in. See manual 308167 or 308168 (supplied with the FRL's) for complete air regulator information.

## Lubricator

The lubricator meters oil into the moving air stream to lubricate air-operated motors. A manual adjustment in the housing sets the oil drip rate into the air stream, which can be monitored through a sight glass on most lubricators. One to two drops of oil a minute is a common adjustment. Use Graco motor oil, part no. 202659. All lubricators, except Model 110148, can be refilled with the system pressurized. However, **ALWAYS** relieve the system pressure before removing the bowl for any reason.

# Service

## ⚠ WARNING



### Relieve air and fluid pressure

before servicing the regulator, filter or lubricator.

To reduce the risk of serious bodily injury, fluid injection, splashing in the eyes or skin, injury from moving parts, ALWAYS open the bleed-type master air valve (required) to relieve system air pressure and trigger the gun or dispense valve and open any fluid drain valves to relieve fluid pressure.

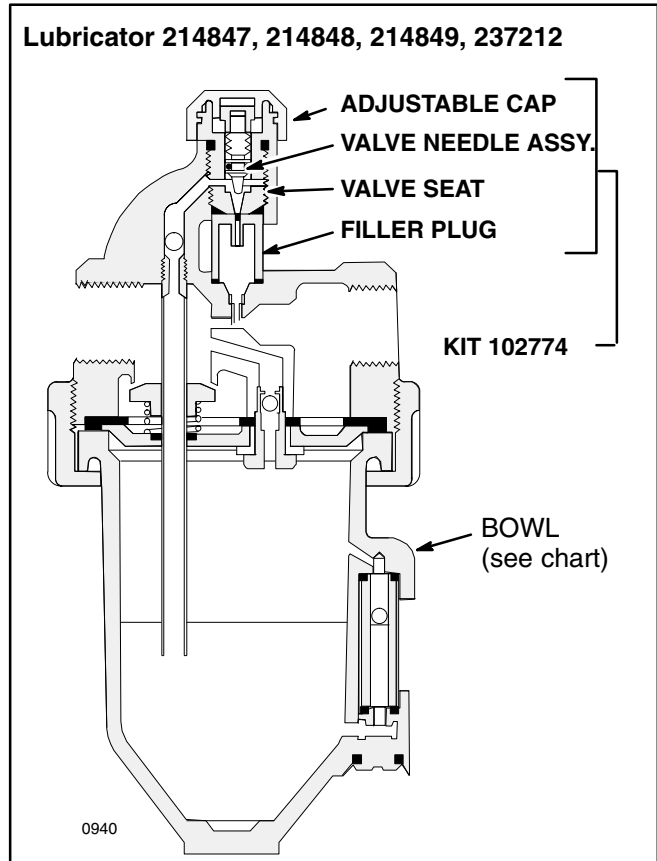
1. Disassemble the component. Refer to the illustrations on pages 4 and 5.
2. Use household soap and water or denatured alcohol for cleaning. Wipe the parts clean with a clean, soft, dry rag. Use compressed air to blow dirt and contaminants out of the lubricator or filter body.
3. Inspect all parts for wear or damage. Replace damaged parts. Use all parts supplied with the kit.

**NOTE:** The chart identifies the available repair kits for the air filters and lubricators covered in this manual. The cut-away drawings shown on pages 5 and 6 show the contents of the kits.

## Repair Kits

### Lubricator Repair Kits

For Lubricator	Kit No.	Description
214847 214848 214849	102774	Repair Kit



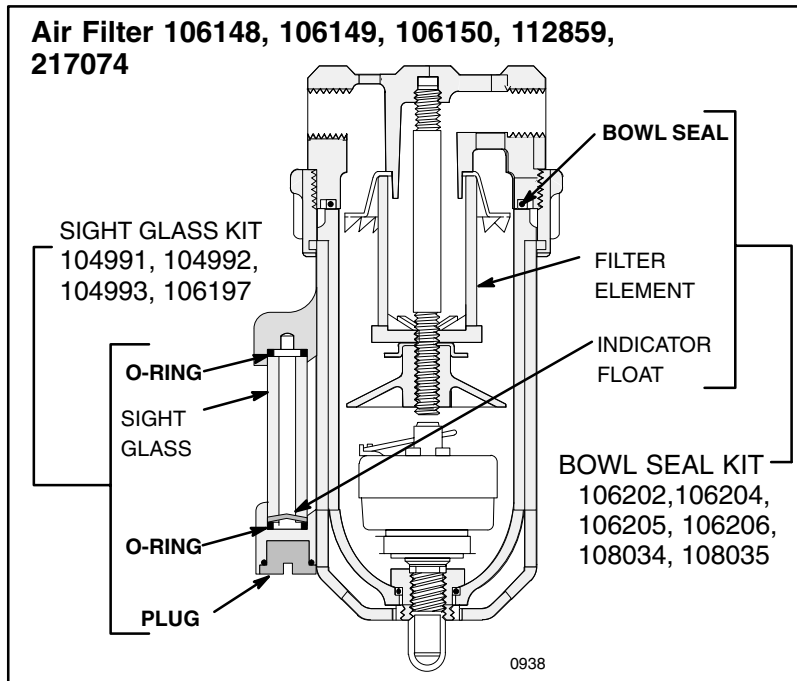
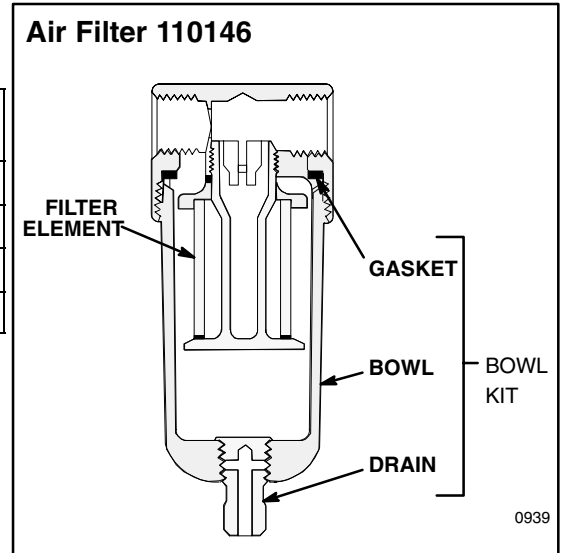
# Service

## Filter Elements & Bowl Seals

For Filter	Kit No.	Description	Bowl Seal Part No.
106149	108035	1/2 in., 20 micron filter element	162440
106150	106204	3/4 in., 40 micron filter element	104023
112859	—	1 in., 40 micron filter element	—
110146	111690	1/4 in., 20 micron filter element	N/A

## Sight Glass Kits

For Filter	Kit No.	Description
106148	104991	3/8 in. sight glass
106149	104992	1/2 in. sight glass
106150	104993	3/4 in. sight glass
112859	104993	1/2 in. sight glass
217074	106197	1/2 in. sight glass



# Service

## Filter Bowl Replacement Kits with Seal

For Filter	Kit No.	Description
116521	116672	3/4 in. port, bowl w/sight glass
15C955	116672	1/2 in. port, bowl w/sight glass
15C956	248085	1/4 in. port, bowl w/sight glass

## Filter Element Kit with Gasket

For Filter	Kit No.	Description
116521	116635	3/4 in. 40 micron filter element
15C955	116635	1/2 in. 40 micron filter element
15C956	248087	1/4 in. 40 micron filter element

## Regulator Repair Kit

For Filter	Kit No.	Description
116521	116634	3/4 in. valve and diaphragm
15C955	116634	1/2 in. valve and diaphragm
15C956	248086	1/4 in. valve and diaphragm

# Parts

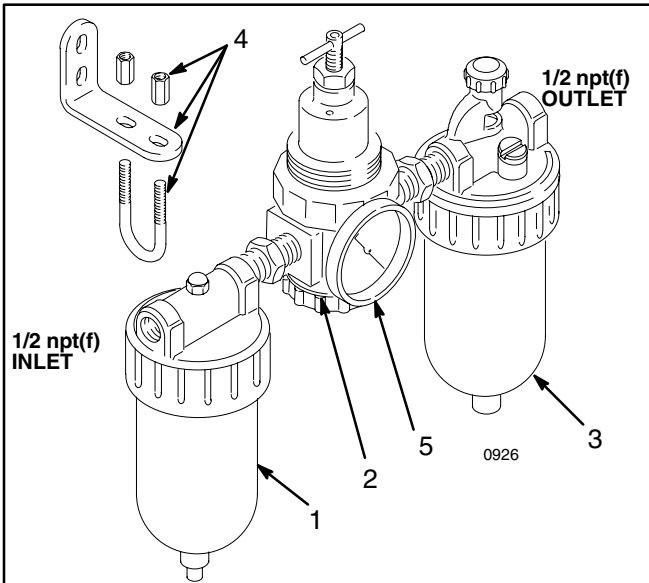
**Model 110149, Series A**  
Includes items 1–5

Ref No.	Part No.	Description	Qty
1	110146	FILTER	1
2	110318	REGULATOR (see 308167)	1
3	110148	LUBRICATOR	1
4	110321	MOUNTING BRACKET	1
5	110319	1/8 in. GAUGE	1

**Model 110150, Series B**  
Includes items 1–5

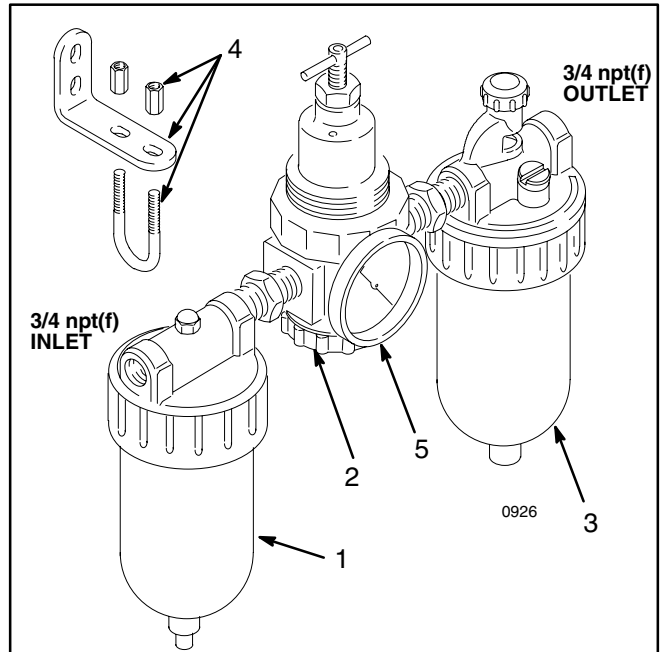
Ref No.	Part No.	Description	Qty
1	106148	FILTER	1
2	110234	REGULATOR (see 308167)	1
3	214847	LUBRICATOR	1
4	101689	1/4 in. GAUGE	1

# Parts



**Model 217072, Series A**  
Includes items 1-5

Ref No.	Part No.	Description	Qty
1	106149	FILTER	1
2	104266	REGULATOR (see 308167)	1
3	214848	LUBRICATOR	1
4	106145	MOUNTING BRACKET	2
5	101689	GAUGE	1

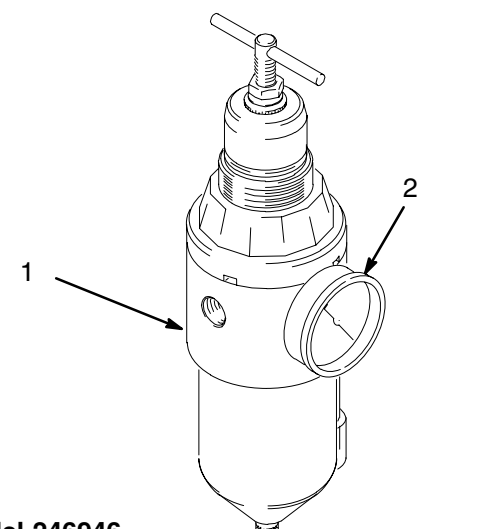


**Model 217073, Series A**  
Includes items 1-5

Ref No.	Part No.	Description	Qty
1	106150	FILTER	1
2	207755	REGULATOR (see 308167)	1
3	214849	LUBRICATOR	1
4	106145	MOUNTING BRACKET	2
5	101689	GAUGE	1

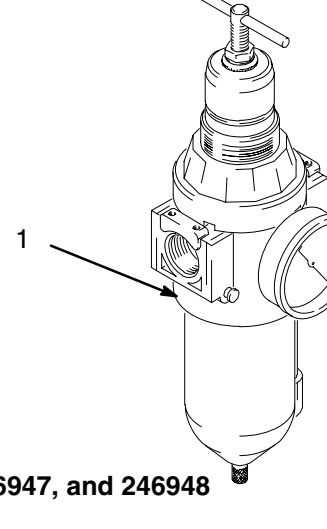


# Parts



**Model 246946**

Ref No.	Part No.	Description	Qty
1	15C956	REGULATOR, filter, air; 1/4 npt	1
2	C36260	GAUGE, pressure, air	1



**Model 15C955, 246947, and 246948**

Ref No.	Part No.	Description	Qty
1	15C955	REGULATOR, filter, air 1/2 npt	1
	116521	REGULATOR, filter, air 3/4 npt	1
2	C36260	GAUGE, pressure, air	1
		Models 246947 and 246948 only	

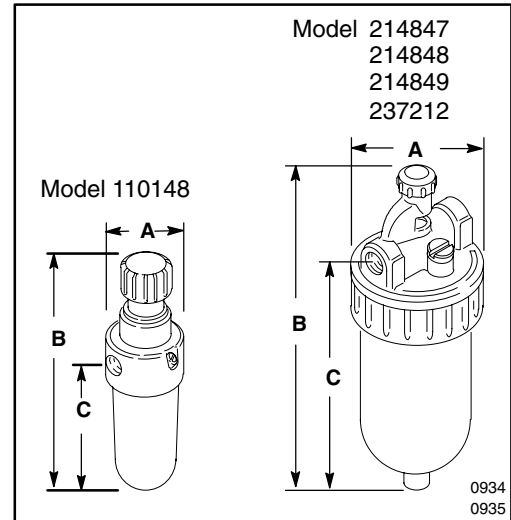
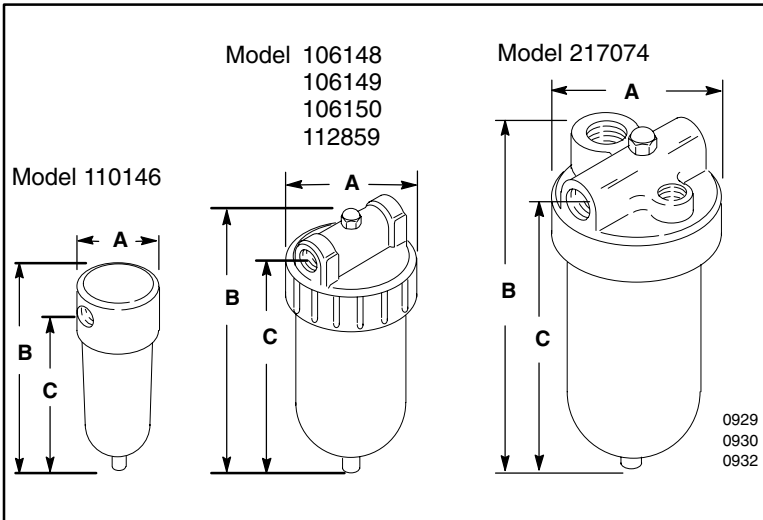
# Dimensions

## Air Filter

Model No.	Inlet/Outlet	Width (A) in. (mm)	Height (B) in. (mm)	Height (C) in. (mm)
110146	1/4 npt	1.6 (40)	4.0 (102)	3.6 (91)
106148	3/8 npt	2.5 (64)	6.0 (143)	3.1 (79)
106149	1/2 npt	3.3 (83)	6.8 (174)	6.3 (159)
217074	1/2 npt	3.0 (76)	7.5 (191)	6.6 (168)
106150	3/4 npt	4.0 (102)	8.8 (222)	7.8 (198)
112859	1 npt	4.5 (114)	8.8 (222)	7.9 (201)

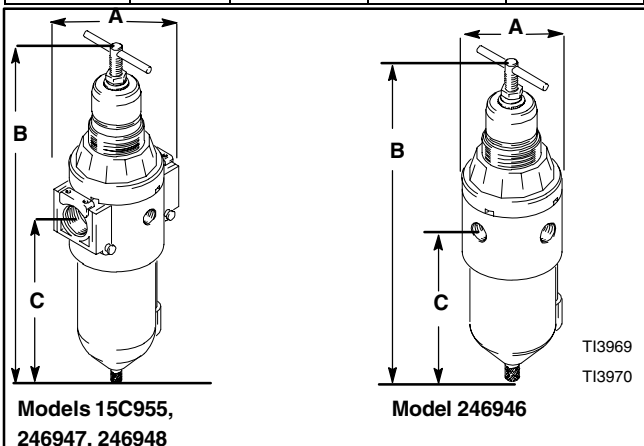
## Lubricators

Model No.	Inlet/Outlet	Width (A) in. (mm)	Height (B) in. (mm)	Height (C) in. (mm)
110148	1/4 npt	1.5 (39)	5.0 (126)	3.0 (76)
214847	3/8 npt	2.5 (64)	7.2 (182)	4.8 (122)
214848	1/2 npt	3.3 (83)	7.9 (201)	5.6 (142)
214849	3/4 npt	4.0 (103)	9.9 (251)	7.3 (184)
237212	1 npt	4.0 (103)	9.9 (251)	7.3 (184)



## Integral Filter-Regulators

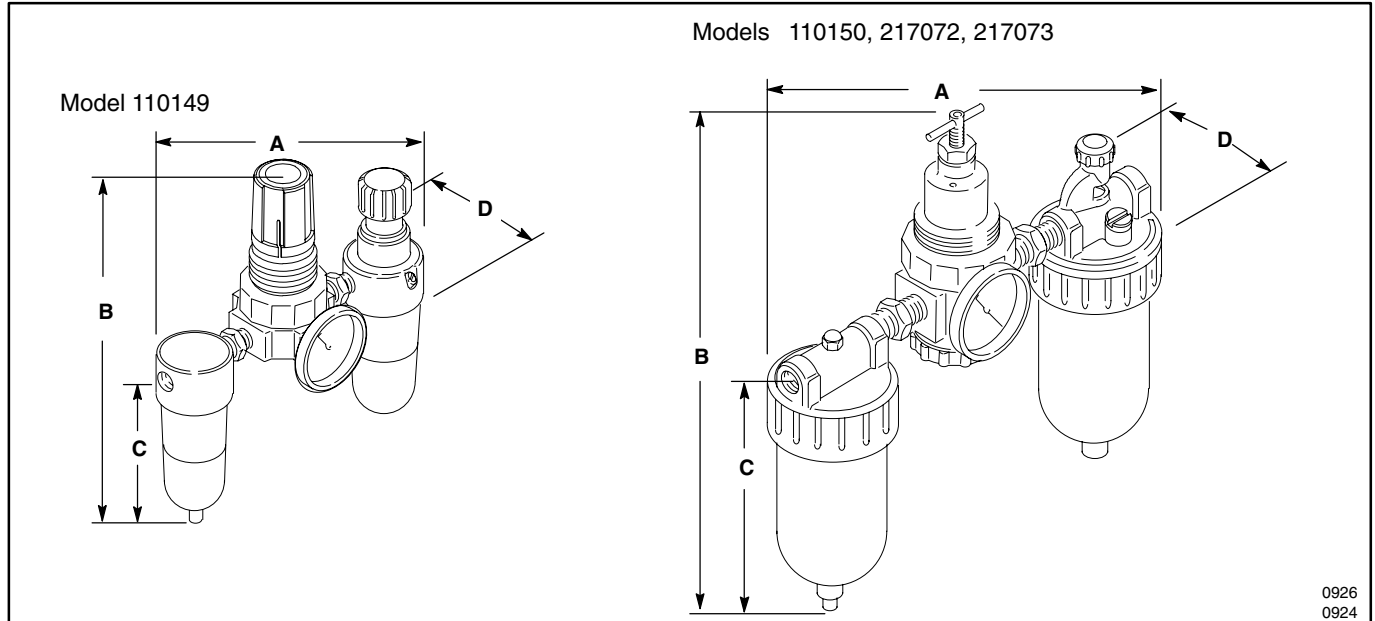
Model No.	Inlet/Outlet	Width (A) in. (mm)	Height (B) in. (mm)	Height (C) in. (mm)
246946	1/4 npt	2-3/8 (60.32)	9.563 (242.87)	4.938 (125.41)
246947	1/2 npt	3.375 (85.73)	11.375 (288.93)	6.5 (165)
246948	3/4 npt	3.375 (85.73)	11.375 (288.93)	6.5 (165)



# Dimensions

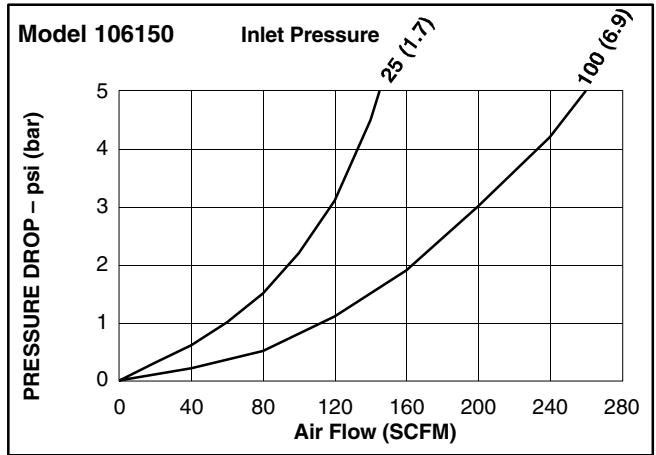
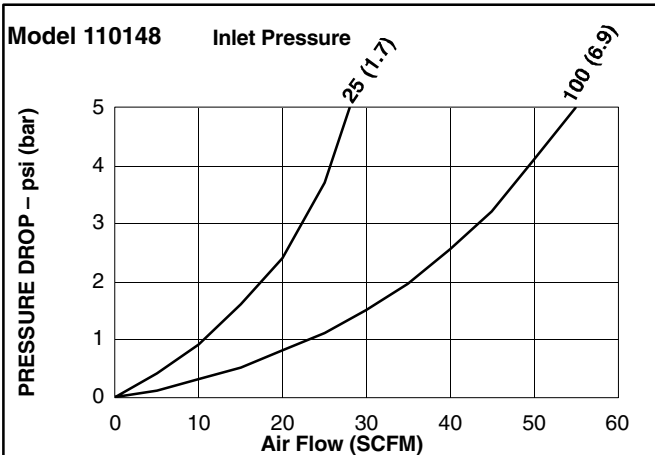
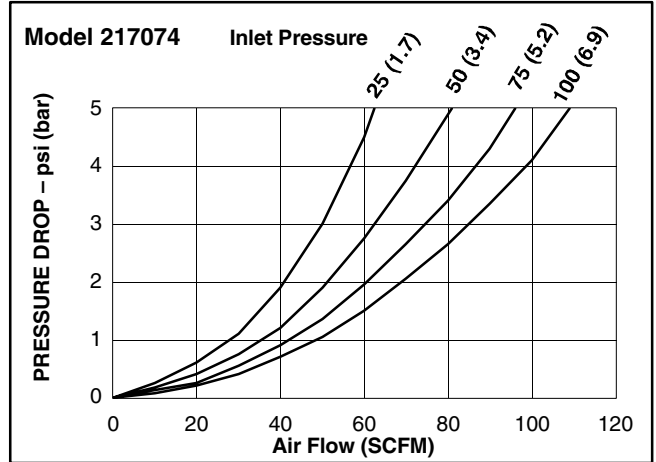
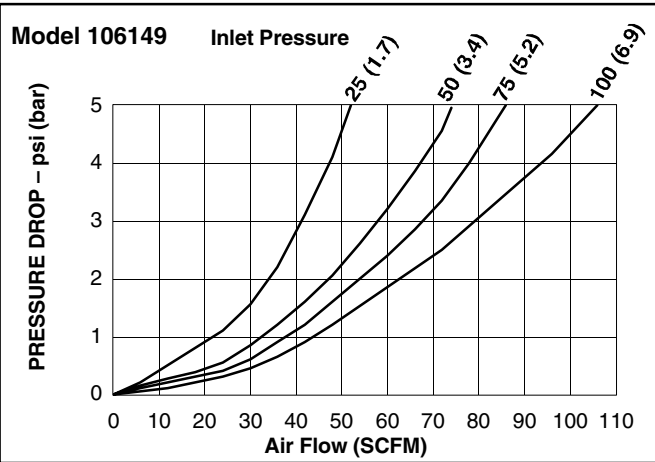
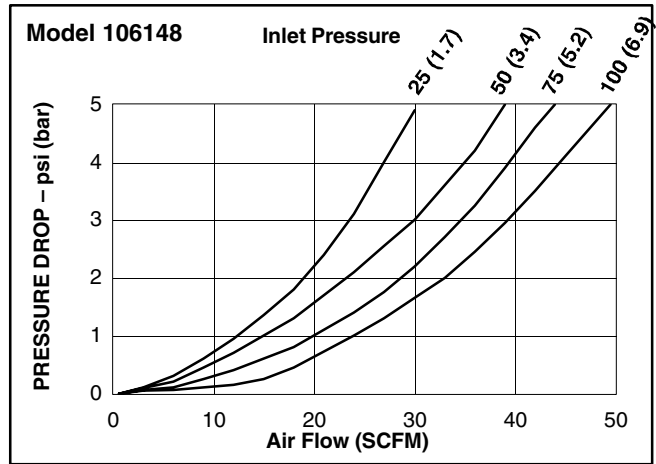
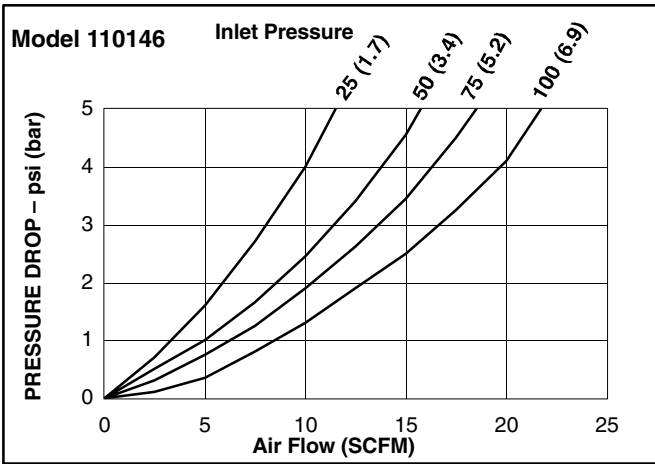
## Filter-Regulator-Lubricators

Model No.	Inlet/Outlet	Width (A) in. (mm)	Height (B) in. (mm)	Height (C) in. (mm)	Depth (D) in. (mm)
110149	1/4 npt	5.1 (130)	5.1 (130)	3.5 (89)	1.6 (40)
110150	3/8 npt	8.8 (222)	9.6 (244)	5.4 (137)	4.1 (105)
217072	1/2 npt	8.1 (206)	10.4 (263)	5.8 (146)	4.0 (105)
217073	3/4 npt	15.8 (400)	13 (330)	7.8 (197)	5.0 (127)

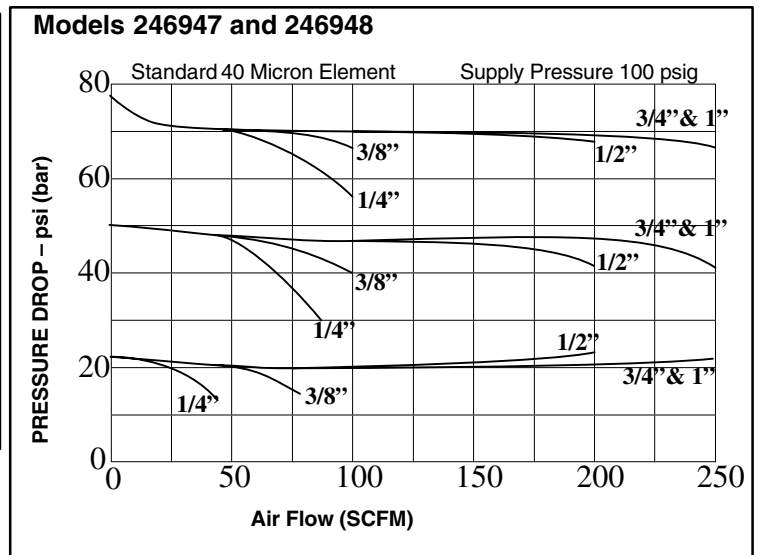
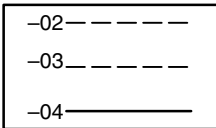
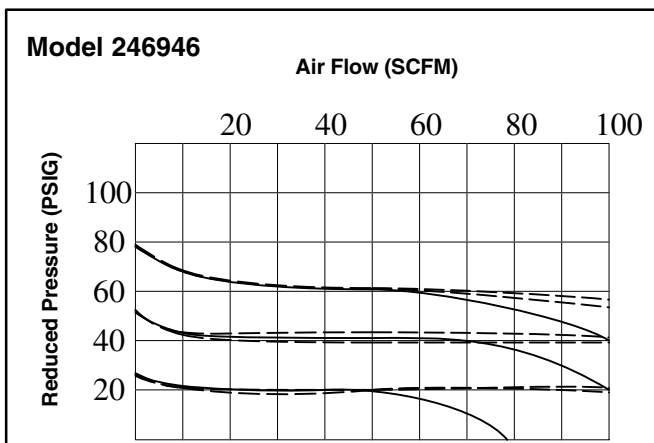
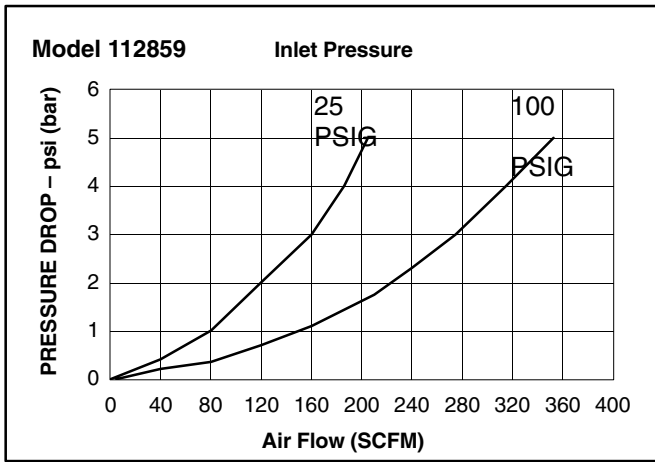


0926  
0924

# Air Filter Flow Curves



# Air Filter Flow Curves



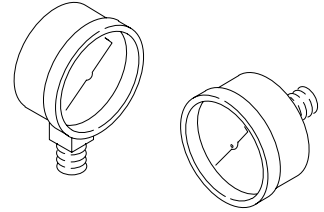


# Accessories

## Gauges

Model	Air Pressure Range	Inlet	Type of Case	Dial Dia.	Style	Glass P/N
160430	0–100 psi (7 bar)	1/4 npt	Black	2 in. (51 mm)	1	102019
101689	0–200 psi (14 bar)	1/4 npt	Black	2 in. (51 mm)	1	102019
101180	0–200 psi (14 bar)	1/4 npt	Chrome	2 in. (51 mm)	1	102019
101689	0–200 psi (14 bar)	1/4 npt	Chrome	2 in. (51 mm)	2	102019

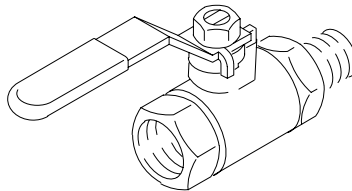
Style 1 (Bottom Inlet)



Style 2 (Back Inlet)

## Bleed Type Master Air Valve

Part No.	Description
107141	3/4 npt (m x f)
107142	1/2 in. npt (m x f)
110223	1/4–18 npt (fbe)
110224	3/8–18 npt (fbe)
110225	1/2–14 npt (fbe)
110226	3/4–14 npt (fbe)

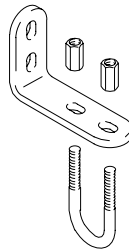


### 106151 AUTOMATIC DRAIN

Installs in place of standard drain for automatic drain. For all models except 110146.

### 202659 AIR MOTOR OIL

For use in lubricators.



### 114598 MOUNTING BRACKET

Includes two brackets and is used for 1 in. pipe.

# Graco Standard Warranty

Graco warrants all equipment manufactured by Graco and bearing its name to be free from defects in material and workmanship on the date of sale to the original purchaser for use. With the exception of any special, extended, or limited warranty published by Graco, Graco will, for a period of twelve months from the date of sale, repair or replace any part of the equipment determined by Graco to be defective. This warranty applies only when the equipment is installed, operated and maintained in accordance with Graco's written recommendations.

This warranty does not cover, and Graco shall not be liable for general wear and tear, or any malfunction, damage or wear caused by faulty installation, misapplication, abrasion, corrosion, inadequate or improper maintenance, negligence, accident, tampering, or substitution of non-Graco component parts. Nor shall Graco be liable for malfunction, damage or wear caused by the incompatibility of Graco equipment with structures, accessories, equipment or materials not supplied by Graco, or the improper design, manufacture, installation, operation or maintenance of structures, accessories, equipment or materials not supplied by Graco.

This warranty is conditioned upon the prepaid return of the equipment claimed to be defective to an authorized Graco distributor for verification of the claimed defect. If the claimed defect is verified, Graco will repair or replace free of charge any defective parts. The equipment will be returned to the original purchaser transportation prepaid. If inspection of the equipment does not disclose any defect in material or workmanship, repairs will be made at a reasonable charge, which charges may include the costs of parts, labor, and transportation.

**THIS WARRANTY IS EXCLUSIVE, AND IS IN LIEU OF ANY OTHER WARRANTIES, EXPRESS OR IMPLIED, INCLUDING BUT NOT LIMITED TO WARRANTY OF MERCHANTABILITY OR WARRANTY OF FITNESS FOR A PARTICULAR PURPOSE.**

Graco's sole obligation and buyer's sole remedy for any breach of warranty shall be as set forth above. The buyer agrees that no other remedy (including, but not limited to, incidental or consequential damages for lost profits, lost sales, injury to person or property, or any other incidental or consequential loss) shall be available. Any action for breach of warranty must be brought within two (2) years of the date of sale.

Graco makes no warranty, and disclaims all implied warranties of merchantability and fitness for a particular purpose in connection with accessories, equipment, materials or components sold but not manufactured by Graco. These items sold, but not manufactured by Graco (such as electric motors, switches, hose, etc.), are subject to the warranty, if any, of their manufacturer. Graco will provide purchaser with reasonable assistance in making any claim for breach of these warranties.

In no event will Graco be liable for indirect, incidental, special or consequential damages resulting from Graco supplying equipment hereunder, or the furnishing, performance, or use of any products or other goods sold hereto, whether due to a breach of contract, breach of warranty, the negligence of Graco, or otherwise.

## **FOR GRACO CANADA CUSTOMERS**

The parties acknowledge that they have required that the present document, as well as all documents, notices and legal proceedings entered into, given or instituted pursuant hereto or relating directly or indirectly hereto, be drawn up in English. Les parties reconnaissent avoir convenu que la rédaction du présente document sera en Anglais, ainsi que tous documents, avis et procédures judiciaires exécutés, donnés ou intentés à la suite de ou en rapport, directement ou indirectement, avec les procédures concernées.

## Graco Information

**TO PLACE AN ORDER**, contact your Graco distributor, or call this number to identify the distributor closest to you:

**1-800-328-0211 Toll Free**

**1-612-623-6921**

**1-612-378-3505 Fax**

*All written and visual data contained in this document reflects the latest product information available at the time of print. Graco reserves the right to make changes at any time without notice.*

MM 308169

**Graco Headquarters:** Minneapolis

**International Offices:** Belgium, China, Japan, Korea

**GRACO INC. P.O. BOX 1441 MINNEAPOLIS, MN 55440-1441**

**[www.graco.com](http://www.graco.com)**

PRINTED IN USA 308169 12/2003 Rev. 02/2006