

Power-Shot Booster Gun

306271J

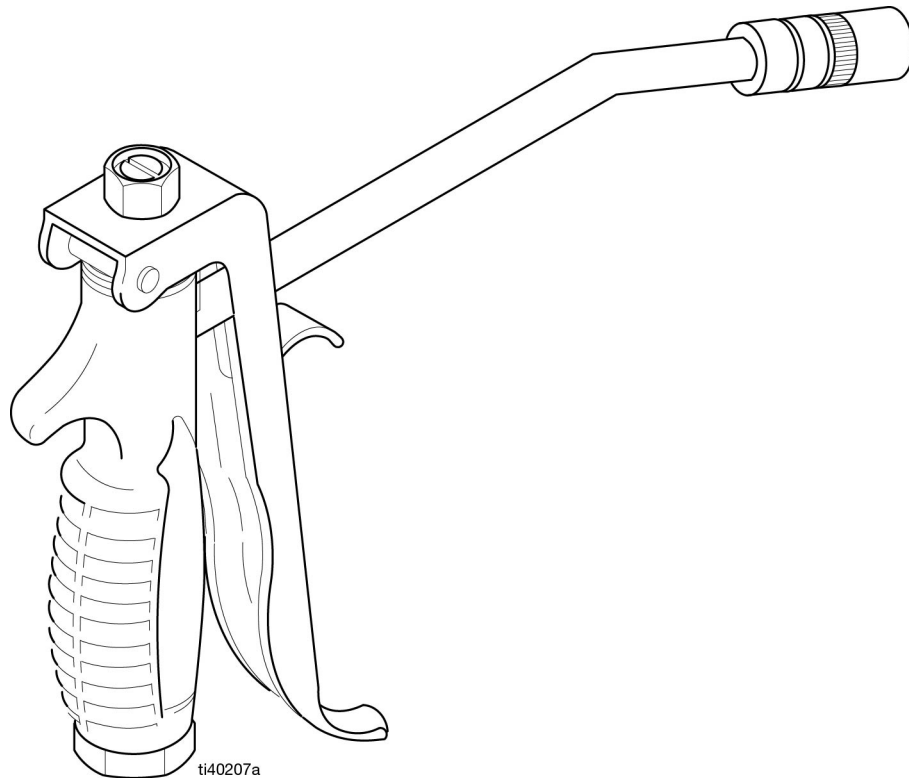
EN

*5000 psi (34 MPa, 1241 bar) Maximum Input Pressure
up to 18,000 psi (124 MPa, 1241 bar) Delivery Pressure*

Model 202600, Series F
1/8 npt female fluid inlet



Read warnings and instructions.



PROVEN QUALITY. LEADING TECHNOLOGY.

Table of Contents

Warnings	2	Parts Drawing	6
Installation	4	Parts List	7
Troubleshooting	5	Graco Standard Warranty	8
		Graco Information	8

Symbols

Warning Symbol





This symbol alerts you to the possibility of serious injury or death if you do not follow the instructions.

Caution Symbol



This symbol alerts you to the possibility of damage to or destruction of equipment if you do not follow the instructions.

 WARNING	
 INSTRUCTIONS	<p>EQUIPMENT MISUSE HAZARD</p> <p>Equipment misuse can cause the equipment to rupture or malfunction and result in serious injury.</p> <ul style="list-style-type: none">• This equipment is for professional use only.• Read all instruction manuals, tags, and labels before you operate this equipment.• Use the equipment only for its intended purpose. If you are not sure, call your Graco distributor.• Do not alter or modify this equipment.• Check equipment daily. Repair or replace worn or damaged parts immediately.• Handle hoses carefully. Do not pull on hoses to move equipment.• Route hoses away from traffic areas, sharp edges, moving parts, and hot surfaces. Do not expose Graco hoses to temperatures above 66° C (150° F) or below -40° C (-40° F).• Comply with all applicable local, state, and national fire, electrical, and safety regulations.• Use only hand-powered pumps to fill the booster gun with lubricant.

⚠ WARNING



INJECTION HAZARD

Spray from the valve, leaks or ruptured components can inject fluid into your body and cause extremely serious injury, including the need for amputation. Fluid splashed in the eyes or on the skin can also cause serious injury.



- Fluid injected into the skin might look like just a cut, but it is a serious injury. **Get immediate medical attention.**
- Do not point the valve at anyone or at any part of the body.
- Do not put your hand or fingers over the grease fitting coupler.
- Do not stop or deflect leaks with your hand, body, glove or rag.
- Tighten all fluid connections before you operate this equipment.
- Check the hoses, tubes, and couplings daily. Replace worn or damaged parts immediately. Do not repair high pressure couplings; you must replace the entire hose.



TOXIC FLUID HAZARD

Hazardous fluid or toxic fumes can cause serious injury or death if splashed in the eyes or on the skin, inhaled, or swallowed.

- Know the specific hazards of the fluid you are using.
- Store hazardous fluid in an approved container. Dispose of hazardous fluid according to all local, state, and national guidelines.
- Always wear protective eyewear, gloves, clothing, and respirator as recommended by the fluid and solvent manufacturer.

Installation

Pressure Relief Procedure

WARNING



INJECTION HAZARD

The system pressure must be manually relieved to prevent the system from dispensing accidentally. Fluid under high pressure can be injected through the skin and cause serious injury. To reduce the risk of an injury from injection, follow the **Pressure Relief Procedure** before you do any maintenance or repair on this gun.

1. Shut off the pump, and relieve all system pressure.
2. Wrap a rag around the gun-to-hose coupler.
3. Slowly unscrew the gun from the hose coupler to relieve any pressure that may be trapped in the hose.

Installing the Gun

WARNING

This gun is designed for pressure capable of forcing grease through a frozen fitting. However, if the grease does not flow freely after pumping (squeezing) the handle two or three times, disconnect the hydraulic coupler from the grease fitting, and replace the damaged grease fitting. Forcing lubricant may cause excessive back pressure, which could cause component rupture and serious injury.

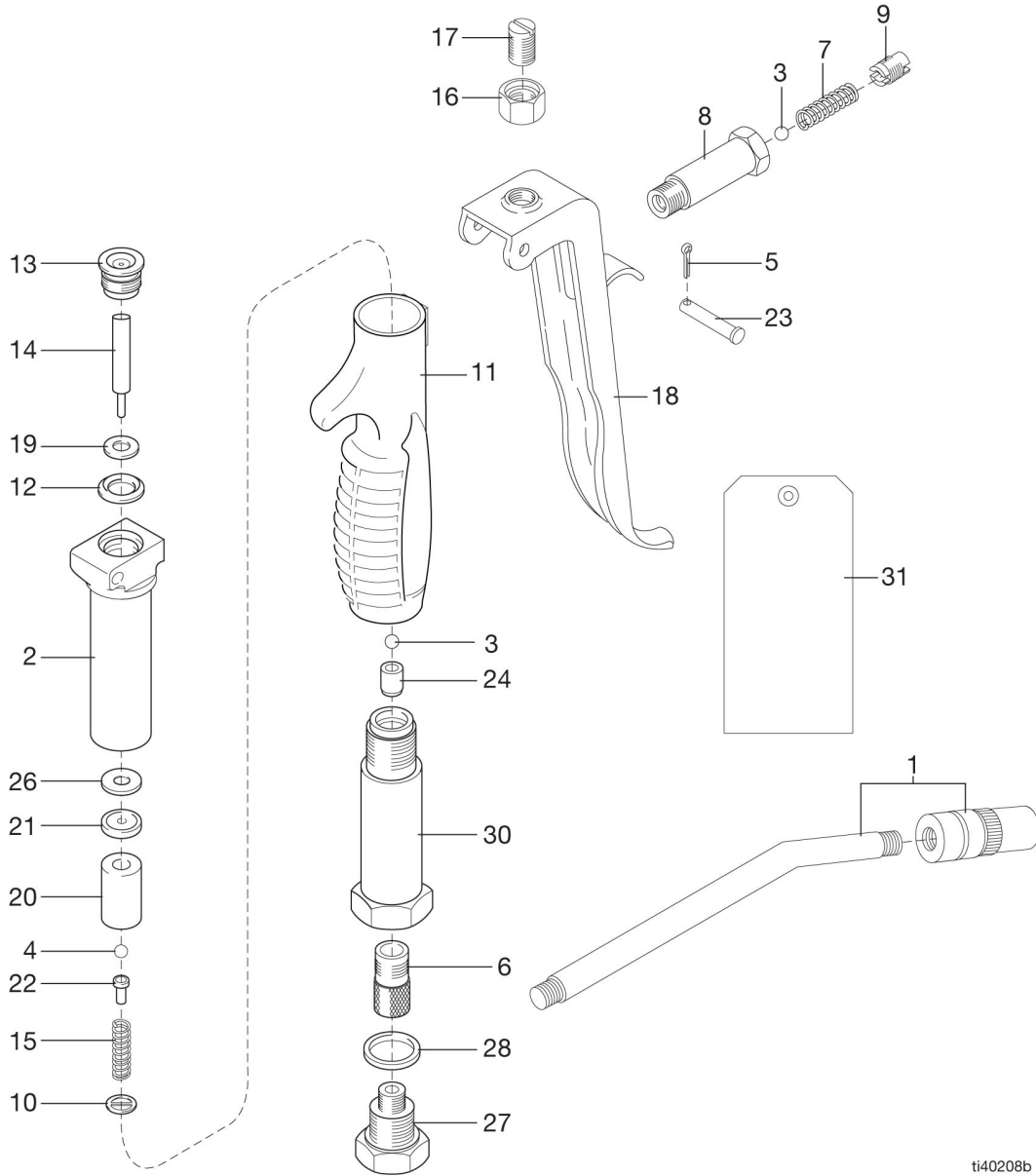
To ground the pump, connect the pump and fluid containers using bonding clamps or clips and a conductive wire that is a minimum of 12 gauge. A secure metal-to-metal contact must be made. Attach the other end of the wire to a true earth ground.

1. Connect the outlet hose from your chassis lubricator to the 1/8 npt(f) inlet of the gun. Use a swivel between the gun and hose, if desired.
2. Wipe the lubrication fitting clean with a rag.
3. Snap the hydraulic coupler onto the fitting. If the gun coupler does not seal with the fitting, it is probably damaged. Replace with a new fitting.
4. Squeeze the gun handle, and hold for a continuous flow of grease.
5. For a boost of pressure, squeeze and release the handle two or three times. If the grease does not flow, do not squeeze any more. See the warning above. Replace the grease fitting coupler before you continue.
6. To remove the hydraulic coupler from the fitting, twist the gun to one side, and pull it off. Do not pull the gun straight back.
7. Wipe surplus grease off of the fitting.

Troubleshooting

Problem	Cause	Solution
Low delivery rate.	Clogged strainer (6). Clean regularly to prevent a clog.	<ol style="list-style-type: none"> 1. Unscrew the inlet adapter (27). 2. Unscrew the strainer (6) from the inlet adapter. 3. Thoroughly wash the strainer and inlet adapter in a nonflammable solvent or cleaning fluid. 4. Reassemble. Be sure the gasket (28) is in position in the lower body (30). Replace the gasket if worn or damaged.
Grease does not stop flowing when the handle is released.	The screw (17) in the handle (18) needs adjustment.	<ol style="list-style-type: none"> 1. Loosen the locknut (16). 2. Using a screw driver in the slot of the screw (17), adjust the screw until there is a slight degree of play in the handle. 3. Tighten the locknut (16).
<p>Grease flows without opening the gun.</p> <p style="text-align: center;">OR</p> <p>Gun does not boost pressure when gun handle is pumped. Handle feels soft or spongy when pumping.</p>	<p>Dirt lodged under the upper ball (4).</p> <p style="text-align: center;">OR</p> <p>Dirt holding lower ball (3).</p>	<ol style="list-style-type: none"> 1. Unscrew the outlet adapter (8) from the upper body (2). 2. Unscrew the lower body (30) from the upper body and remove the rubber grip (11). 3. Thoroughly wash all parts in a nonflammable solvent or cleaning fluid. Replace the balls if they are worn or pitted. 4. Examine the lower ball seat (24), and replace if necessary. 5. Examine the upper ball seat (21) in place in the upper valve body. If it is pitted or worn, pull the piston (14) out of the piston guide plug (13), unscrew the piston guide plug, and remove the backup washer (19) and v-packing (12). 6. Reassemble. Insert the new v-packing (12). Place the backup washer (19) on the v-packing. Install the plug. Be sure the plug is very tight. Install the piston and outlet adapter. Tighten the outlet adapter (8) securely, at least 3 full turns. Reassemble the rest of the gun.
Grease appears at top of piston guide plug (13).	Worn v-packing (12).	<ol style="list-style-type: none"> 1. Remove the outlet adapter (8). Flip the handle (18) back. 2. Pull the piston (14) out of the piston guide plug (13). Unscrew the piston guide plug, and remove the backup washer (19) and v-packing (12). 3. Reassemble. Insert the new v-packing (12). Place the backup washer (19) on the v-packing. Install the plug. Be sure the plug is very tight. Install the piston and outlet adapter. Tighten the outlet adapter (8) securely, at least 3 full turns.
Grease does not dispense from the gun.	Clogged check valve.	<ol style="list-style-type: none"> 1. Remove the spring retainer (9), spring (7), and ball (3). 2. Thoroughly wash all parts in a nonflammable solvent or cleaning fluid. Replace the balls if they are worn or pitted. 3. Swab out the ball seat with a clean cloth dipped in the solvent or cleaning fluid. 4. Reassemble. Turn the spring retainer in as far as it goes, and back it out two or three turns.

Parts Drawing



ti40208b

Parts List

Ref. No.	Part No.	Description	Qty.	Ref. No.	Part No.	Description	Qty.
1	200389	HYDRAULIC ADAPTER		16	158213	NUT, lock	1
		See 306708 for parts	1	17	158214	SCREW, adjusting	1
2		BODY, upper	1	18		HANDLE, valve	1
3	100069	BALL, steel, 1/4"	2	19	159632	WASHER, backup	1
4		BALL, steel, 3/16"	1	20	159966	SPACER	1
5	101421	PIN, cotter, 1.16" dia.	1	21	159967	SEAT, upper ball	1
6	151235	STRAINER, valve	1	22	159986	PLATFORM, ball	1
7		SPRING, compression	1	23	160052	PIN, pivot	1
8	154486	ADAPTER, outlet	1	24	160181	SEAT, lower ball	1
9	154487	RETAINER, spring	1	26	160226	GASKET	1
10	156918	BALL, stop	1	27	150505	ADAPTER, inlet, 1/8 npt (f)	1
11	157706	GRIP, rubber	1	28		GASKET	1
12		SEAL, U-Cup	1	30	160267	BODY, lower valve	1
13	157961	PLUG, guide	1	31	172479	TAG, warning	1
14	157963	PISTON, valve	1				
15	157989	SPRING, compression	1				

Technical Data

Maximum input pressure	5000 psi (34 MPa, 345 bar)
Maximum delivery pressure	up to 18,000 psi (124 MPa, 1241 bar)
Inlet size	1/8 npt female
Wetted parts	Alloy Steel, Carbon Steel, Chrome Alloy, Copper, Leather
Weight	3 lb (1.4 kg)
Height	7 in. (178 mm)
Length	11.675 in. (296 mm)

Graco Standard Warranty

Graco warrants all equipment manufactured by Graco and bearing its name to be free from defects in material and workmanship on the date of sale by an authorized Graco distributor to the original purchaser for use. With the exception of any special, extended, or limited warranty published by Graco, Graco will, for a period of twelve months from the date of sale, repair or replace any part of the equipment determined by Graco to be defective. This warranty applies only when the equipment is installed, operated and maintained in accordance with Graco's written recommendations.

This warranty does not cover, and Graco shall not be liable for general wear and tear, or any malfunction, damage or wear caused by faulty installation, misapplication, abrasion, corrosion, inadequate or improper maintenance, negligence, accident, tampering, or substitution of non-Graco component parts. Nor shall Graco be liable for malfunction, damage or wear caused by the incompatibility of Graco equipment with structures, accessories, equipment or materials not supplied by Graco, or the improper design, manufacture, installation, operation or maintenance of structures, accessories, equipment or materials not supplied by Graco.

This warranty is conditioned upon the prepaid return of the equipment claimed to be defective to an authorized Graco distributor for verification of the claimed defect. If the claimed defect is verified, Graco will repair or replace free of charge any defective parts. The equipment will be returned to the original purchaser transportation prepaid. If inspection of the equipment does not disclose any defect in material or workmanship, repairs will be made at a reasonable charge, which charges may include the costs of parts, labor, and transportation.

THIS WARRANTY IS EXCLUSIVE, AND IS IN LIEU OF ANY OTHER WARRANTIES, EXPRESS OR IMPLIED, INCLUDING BUT NOT LIMITED TO WARRANTY OF MERCHANTABILITY OR WARRANTY OF FITNESS FOR A PARTICULAR PURPOSE.

Graco's sole obligation and buyer's sole remedy for any breach of warranty shall be as set forth above. The buyer agrees that no other remedy (including, but not limited to, incidental or consequential damages for lost profits, lost sales, injury to person or property, or any other incidental or consequential loss) shall be available. Any action for breach of warranty must be brought within two (2) years of the date of sale.

Graco makes no warranty, and disclaims all implied warranties of merchantability and fitness for a particular purpose in connection with accessories, equipment, materials or components sold but not manufactured by Graco. These items sold, but not manufactured by Graco (such as electric motors, switches, hose, etc.), are subject to the warranty, if any, of their manufacturer. Graco will provide purchaser with reasonable assistance in making any claim for breach of these warranties.

In no event will Graco be liable for indirect, incidental, special or consequential damages resulting from Graco supplying equipment hereunder, or the furnishing, performance, or use of any products or other goods sold hereto, whether due to a breach of contract, breach of warranty, the negligence of Graco, or otherwise.

FOR GRACO CANADA CUSTOMERS

The parties acknowledge that they have required that the present document, as well as all documents, notices and legal proceedings entered into, given or instituted pursuant hereto or relating directly or indirectly hereto, be drawn up in English. Les parties reconnaissent avoir convenu que la rédaction du présente document sera en Anglais, ainsi que tous documents, avis et procédures judiciaires exécutés, donnés ou intentés à la suite de ou en rapport, directement ou indirectement, avec les procédures concernées.

Graco Information

TO PLACE AN ORDER, contact your Graco distributor, or call one of the following numbers to identify the distributor closest to you:

1-800-533-9655 Toll Free

612-623-6928

612-378-3590 Fax

All written and visual data contained in this document reflects the latest product information available at the time of publication. Graco reserves the right to make changes at any time without notice.

Sales Offices: Minneapolis, Detroit
International Offices: Belgium, Korea, Hong Kong, Japan

www.graco.com

PRINTED IN USA 306271 Revision J, July 2024