



# ULTRA XT™

Introducing Graco's NEW Xtreme Torque™  
Lineup of Professional Electric Airless Sprayers

EUROPE, MIDDLE EAST & AFRICA



PROVEN QUALITY. LEADING TECHNOLOGY.



INTRODUCING

# BREAKTHROUGH XT TECHNOLOGY

PATENT PENDING

NEW FOR 2024



**UP TO 10X QUIETER WITH THE  
NEW SOUND OF QUALITY™**

**UNRIVALED FINISH QUALITY WITH  
THE WORLD'S STEADIEST RUNNING  
PRESSURE**

**SELECTABLE PERFORMANCE MODES™**

**LONGEST LIFE BEFORE SERVICE**

**FASTEST SERVICE ON JOBSITE**

**PUMP WEAR PREVENTION**

**FASTEST CLEANING  
USING LESS FLUID**

**LOWEST COST OF OWNERSHIP**

Ultra 490 XT  
Stand 19D525

## EXPERIENCE AIRLESS LIKE NEVER BEFORE

### XTREME TORQUE MOTOR

Experience a new level of performance with the first motor ever designed specifically for airless spray and made by Graco.

### THE SOUND OF QUALITY

Advanced design eliminates multistage gear trains and reduces motor speed by 90% and noise by up to 10X.

### RAPID-RESPONSE™ CONTROL

Delivers the world's steadiest running pressure. Dial-in 1 bar increments with the widest performance range in the industry (3-227 bar).

### SELECTABLE PERFORMANCE WITH THE PUSH OF A BUTTON

**Low Pressure Mode (L):** Optimized performance range to eliminate overspray and improve finish.

**High Pressure Mode (H):** Offers maximum performance for extended hose lengths and difficult to atomize materials.

### ENDURANCE VORTEX® PISTON PUMPS WITH PROCONNECT®

Auto-rotating vortex rod balances load and prolongs pump life—proven ProConnect replacement system eliminates downtime.

### LED DIGITAL DISPLAY

Features a bright, easy-to-read LED display. See the performance from across the room!

### TURBOCLEAN™

Efficiently cleans 3X faster using half the fluid, significantly reducing recycling costs.

### WATCHDOG™ PUMP PROTECTION

Intelligent auto-shutoff feature activates when the sprayer runs out of paint, safeguarding the pump and maintaining consistent performance.



BREAKTHROUGH FEATURES ACROSS THE ENTIRE XT LINEUP

**NEW FOR 2024**

**FEATURING**

***BREAKTHROUGH  
XTREME TORQUE MOTOR*** PATENT PENDING

***1<sup>ST</sup> MOTOR EVER DESIGNED BY GRACO  
SPECIFICALLY FOR AIRLESS SPRAY***

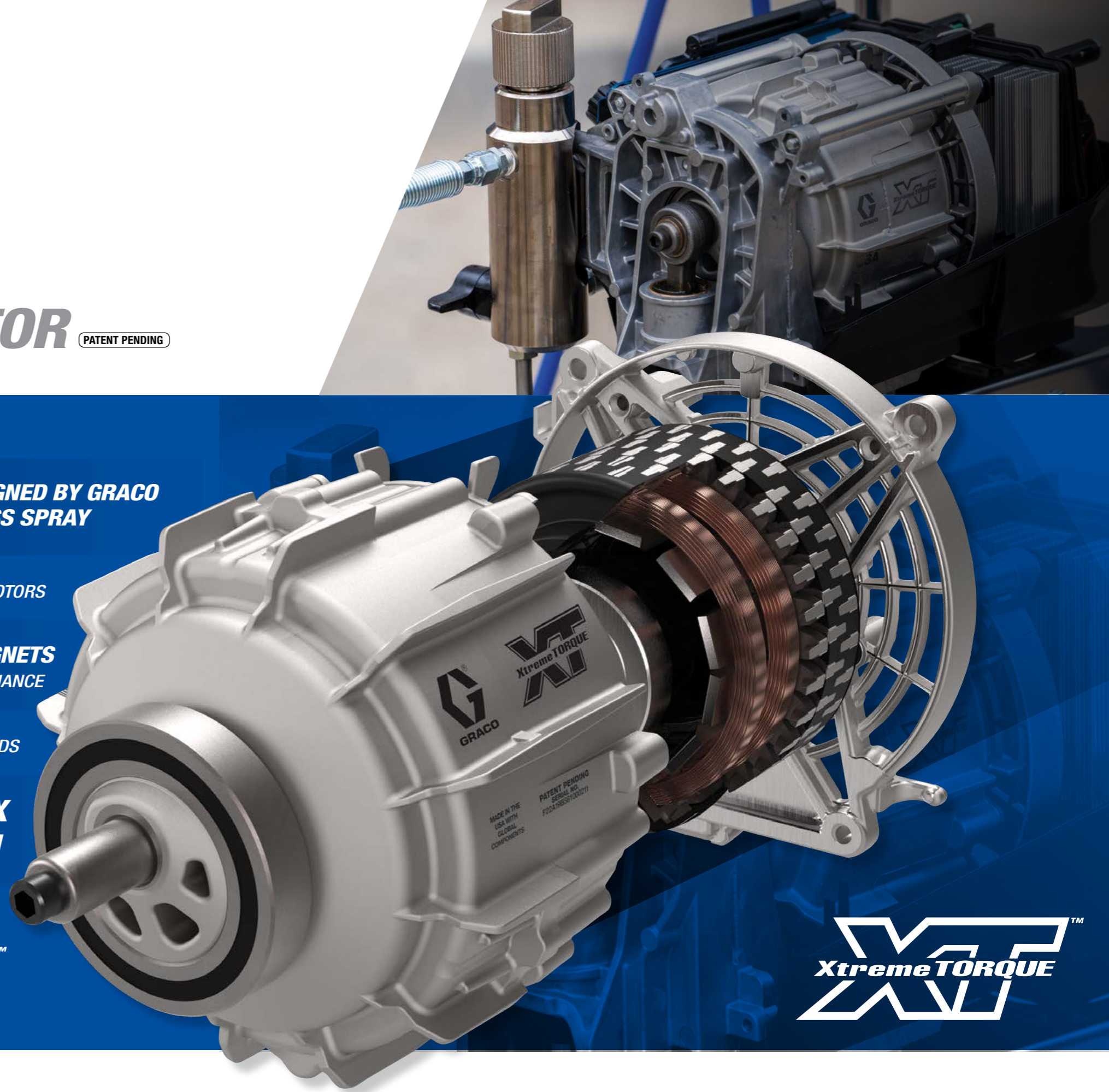
***15X MORE TORQUE*** THAN TRADITIONAL MOTORS

***8X MORE MAGNETS***  
DELIVERS RAPID ACCELERATION AND SMOOTH PERFORMANCE

***90% LOWER*** RUNNING SPEEDS

***MONITORS PRESSURE 60X  
PER MOTOR REVOLUTION***

***UP TO 10X QUIETER OPERATION DELIVERS  
THE NEW SOUND OF QUALITY™***



**D E S I G N E D , E N G I N E E R E D & M A N U F A C T U R E D B Y G R A C O**

FEATURING

# THE WORLD'S WIDEST & STEADIEST RUNNING PRESSURE PATENT PENDING

## EXPERIENCE NEXT-GENERATION PERFORMANCE

### SPRAY MORE JOBS WITH THE WORLD'S STEADIEST PRESSURE CONTROL

- Rapid-Response™ Control eliminates pressure fluctuations by continuously monitoring pressure — 60X per motor revolution
- Instantly adjusts motor speed to eliminate 75% of pressure fluctuations for a Perfect Airless Finish™

### WIDEST PERFORMANCE RANGE — FROM 3 TO 227 BAR

- Offers the largest operating pressure range providing full control and maximum productivity
- Flexible for more applications — coatings, hose lengths and tip sizes to meet every application

### PUSH-BUTTON PERFORMANCE

- Two selectable performance modes offer unique performance levels to boost efficiency on every job
- Features a bright easy-to-read LED Display — see performance from across the room

### MAXIMIZE UPTIME

- TurboClean™ cleans the pump 3X faster with 1/2 the fluid
- WatchDog™ Pump Protection automatically shuts down the sprayer when out of paint, preventing premature wear

## BRING ON SAVINGS WITH SELECTABLE PERFORMANCE

### LOW PRESSURE PERFORMANCE MODE (L) 3 - 140 BAR

- Maximizes savings, ideal for most projects with superior finish
- Optimized performance range to eliminate overspray and improve finish with RAC X™ LP SwitchTips™
- Adjustable in 1 bar increments — achieve extreme control down to 3 bar

### HIGH PRESSURE PERFORMANCE MODE (H) 35 - 227 BAR

- Ideal for difficult to atomize materials, extended hose lengths or during cold running conditions
- Use this mode for the best finish with any RAC® SwitchTip



Ultra 695 XT  
Standard Series  
19F727 (CEE)  
19F728 (UK)



## SEE THE XT DIFFERENCE

[graco.com/UltraXT](http://graco.com/UltraXT)

FEATURING

# UNRIVALED PUMP DURABILITY & PERFORMANCE PATENTED

## SPRAYS 3X MORE LITERS THAN THE NEAREST COMPETITOR

- Endurance piston pumps are made using the highest grade materials to deliver the industry's longest life
- Proven proprietary V-MAX Blue™ packings individually supported on chrome piston rod to deliver reliability you can count on
- Included on all 490 XT - 495 XT and Standard Series XT models

## ENDURANCE VORTEX TECHNOLOGY ON ALL MODELS

- Delivers the longest pump life by automatically rotating piston rod to extend pump life
- Virtually eliminates side loading

## MORE PAINT APPLIED PER PISTON STROKE

- Up to 80% longer piston stroke than competitive models — enhances flow and boosts performance
- Extended piston stroke design increases wear surface and improves hard part life

## ELIMINATE DOWNTIME WITH PROCONNECT JOBSITE SERVICEABILITY



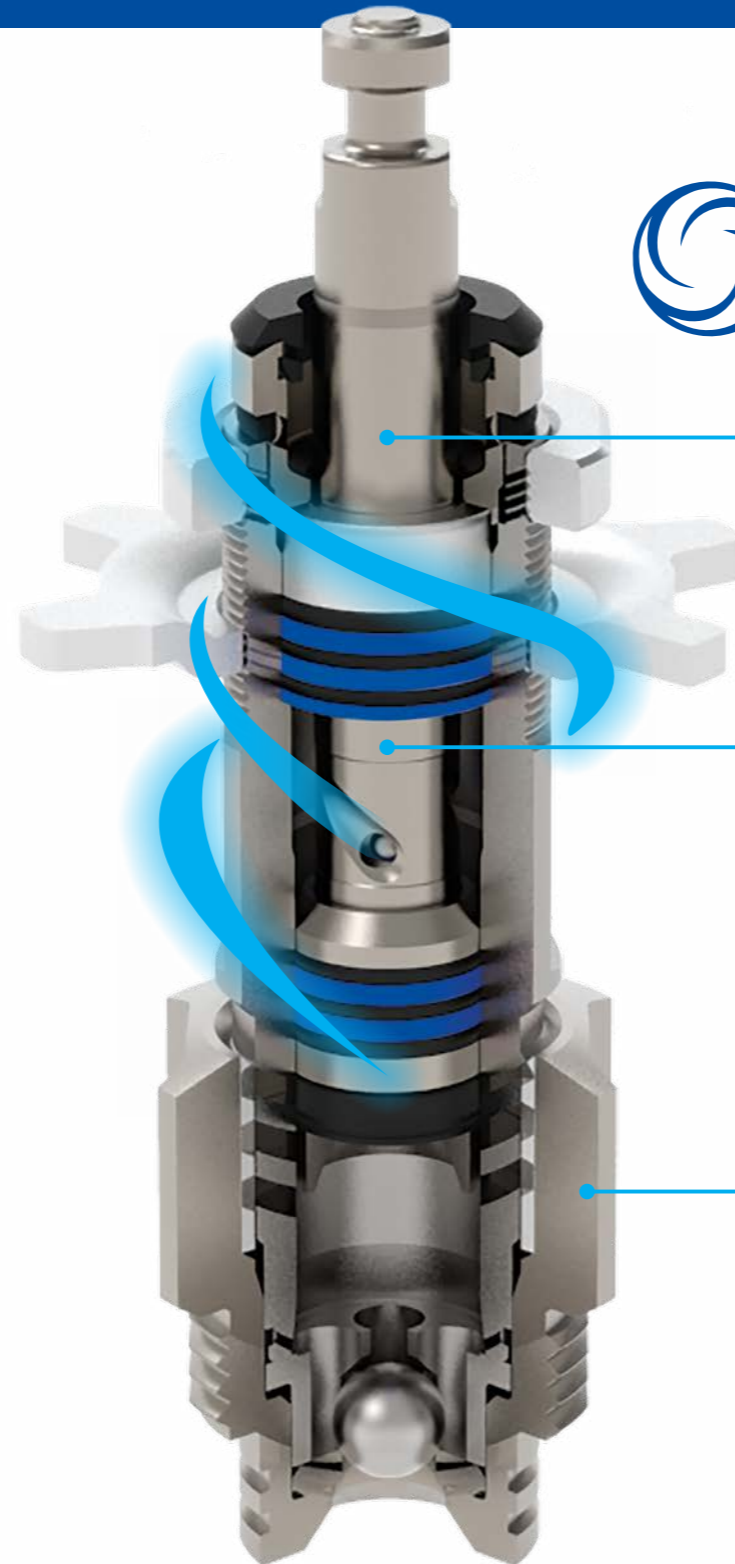
Loosen the Clamping Nut

Open Door & Remove Pump

Remove Hose & Suction Tube



Eliminate Downtime with ProConnect On-the-Job Pump Replacement — now included on ALL XT Models



### VORTEX TECHNOLOGY

Rotating rod for extended life

### 360° WEAR SURFACE

- Even loading delivers the longest pump life

### HELICAL PISTON ROD DESIGN

- Delivers high-velocity flow to rotate pump rod as you spray
- The piston rod slowly turns — balancing wear and extending life

### QUIKACCESS™ INTAKE

- Easy debris removal with knock-off foot valve
- Longer spray time with reversible inlet seat

PROCONTRACTOR **XT**

## UPGRADE TO PROCONTRACTOR™ FOR 6X LONGER PUMP LIFE

- Proprietary piston and sleeve delivers 6X more liters pumped between repacks
- Included on all ProContractor Series models



Endurance Vortex MaxLife Pump

6X longer between repacks

Endurance Vortex MaxLife Extreme Pump

Extends pump rod life by 3X — delivering the industry's lowest cost of ownership

# ULTRA XT MIDSIZE ELECTRIC SPRAYERS

490 XT | 495 XT

**INCREASED PERFORMANCE—  
UNMATCHED RELIABILITY**

Midsized electric airless sprayers make it easier to get more work done in a day with increased flow and production rates.



Ultra 490 XT  
Stand 19D525

# ULTRA XT STANDARD SERIES LARGE ELECTRIC SPRAYERS

695 XT | 795 XT | 1095 XT

**EVERYDAY RELIABILITY  
FOR LARGER JOBS**

Larger painting jobs demand the proven quality and performance of Graco's Standard Series large electric sprayers to deliver a job well done, every time.



Ultra 695 XT  
Standard Series  
19F727 (CEE)  
19F728 (CEE)

## FEATURES FOUND ON ALL MIDSIZE & STANDARD XT SPRAYERS

NEW

### SOUND OF QUALITY

**Xtreme Torque Motor Technology**

- Up to 10X Quieter
- Experience a new level of performance with the first motor ever designed specifically for airless spray

NEW

### WORLD'S STEADIEST RUNNING PRESSURE

**Rapid-Response Control with LED Digital Display**

- Instantly adjusts motor speed to eliminate 75% of pressure fluctuations for a Perfect Airless Finish™
- Features a bright, easy-to-read LED display— see the performance from across the room!

NEW

### PUSH BUTTON PERFORMANCE

**Selectable Performance Modes**

- Two Selectable Performance Modes offer unique performance levels to easily boost efficiency on every job
- Expand capability and range of applications with a single sprayer— like having two sprayers in one!

NEW

### LONGEST LIFE BEFORE SERVICE

**Endurance™ Vortex® Pump**

- 3X Longer life than the closest competitor
- Automatically rotates rod while pumping delivering longest life

NEW

### FASTEST SERVICE ON THE JOB

**ProConnect Replacement System**

- Fast and easy on-the-job replacement system
- One part solution to keep spraying

NEW

### MAXIMIZE UPTIME

**TurboClean™ Cleaning System & WatchDog™ Pump Protection**

- TurboClean delivers high-velocity fluid flow to clean the pump 3X faster using ½ the fluid
- WatchDog prevents pump damage if the material supply is too low by automatically shutting off the pump

### EASY MAINTENANCE AND LESS CLOGGING

**Easy Out™ Pump Filter**

- Large inside-out filtering process ensures a quality finish

## NEW INCREASED PERFORMANCE

MIDSIZE ELECTRIC	MAX TIP SIZE	MAX LPM	STAND	HI-BOY
Ultra 490 XT	.025"	2.6	19D525 (CEE)	19D526 (CEE)
Ultra 495 XT	.027"	3.0	19D527 (CEE) 19D529 (UK)	19D528 (CEE) 19D530 (UK)

### READY TO SPRAY WITH:

Contractor PC™ Gun  
RAC X LP517 SwitchTip™ and Guard  
BlueMax™ II 1/4" x 15 m Airless Hose

## NEW INCREASED PERFORMANCE

READY TO SPRAY WITH:  
Contractor PC™ Gun  
RAC X LP517 SwitchTip™ and Guard  
BlueMax™ II 1/4" x 15 m Airless Hose

STANDARD LARGE ELECTRICS	MAX TIP SIZE	MAX LPM	HI-BOY
Ultra 695 XT Standard	.031"	4.0	19F727 (CEE) 19F728 (UK)
Ultra 795 XT Standard	.033"	4.5	19F731 (CEE) 19F732 (UK)
Ultra 1095 XT Standard	.035"	4.9	19F735 (CEE)



# ULTRA XT

## PROCONTRACTOR SERIES

### LARGE ELECTRIC SPRAYERS

INCLUDES ALL STANDARD SERIES FEATURES

## PLUS:



Ultra 1095 XT  
ProContractor Series  
19F736 (CEE)  
20B955 (MULTI)

**NEW SUPERIOR PUMP LIFE**

**Endurance Vortex MaxLife and MaxLife Extreme Piston Pumps**

- Innovative MaxLife Technology last 6x longer between repacks —included on Ultra 695 XT and 795 XT ProContractor models
- MaxLife Extreme Technology extends rod life 3X longer delivering the industry's lower cost of ownership — included on Ultra1095 XT ProContractor model

**NEW EASY HOSE MANAGEMENT**

**QuikReel™ Hose Management System**

- Deploy and rewind up to 90 meter of hose in seconds without twisting, kinking or coiling
- Use only the hose you need — the rest stays on the reel

**NEW BREAKTHROUGH PRODUCTIVITY AND FINISH QUALITY WITH LED SMARTDISPLAY XT™**

**Contractor PowerShot XT™ Connection Ready**

- Ready to Connect to the Contractor PowerShot XT out of the box — PowerShot gun sold separately
- Achieve the best finish in the industry by remotely controlling pressure from the gun and eliminating pressure surge with SmartStall™

**BlueLink™ Jobsite Management System**



- Know your job's progress, locate your sprayers and maximize uptime with this innovative technology that is free to use

**NEW NEVER HAVE A FLAT AGAIN!**

**Flat Proof Tires**

- Tires can't be punctured by nails, screws or other sharp debris

**DURABLE FILTRATION**

**Crushproof Inlet Strainer**

- Stands up to harsh impacts to maintain flow through filter

### NEW INCREASED PERFORMANCE

PROCONTRACTOR LARGE ELECTRICS	MAX TIP SIZE	MAX LPM	PART #	PISTON PUMP TECHNOLOGY
Ultra 695 XT ProContractor	.031"	4.0	19F729 (CEE) 19F730 (UK) 20B951 (MULTI)	Endurance Vortex MaxLife
Ultra 795 XT ProContractor	.033"	4.5	19F733 (CEE) 19F734 (UK) 20B953 (MULTI)	Endurance Vortex MaxLife
Ultra 1095 XT ProContractor	.035"	4.9	19F736 (CEE) 20B955 (MULTI)	Endurance Vortex MaxLife Extreme

**READY TO SPRAY WITH:**

- Contractor PC™ Gun
- RAC X LP517 SwitchTip™ and Guard
- BlueMax™ II 1/4" x 15 m Airless Hose

## ACCESSORIES

Maximize your performance and get to the next job faster by customizing your sprayer with proven Graco accessories.

**XT ACCESSORIES:**

Upgrade your sprayer to maximize your productivity!

PART #	DESCRIPTION
25V145	Modular QuikReel Kit for 695 XT, 795 XT & 1095 XT
20B529	XT Airless Hopper Kit for 490 XT & 495 XT
20B198	Flat Proof Tires for 695 XT & 795 XT - order 2
17E687	Flat Proof Tires for 1095 XT - order 2
15V573	Crushproof Inlet Strainer for 695 XT, 795 XT & 1095 XT
18H305 (CEE) 18H303 (UK)	Contractor PowerShot XT Gun for all Ultra XT models
20B432	SmartDisplay XT • Connect Contractor PowerShot XT to any Ultra XT Sprayer to unlock a new level of performance for all Ultra XT models • Upgrade any XT Sprayer with BlueLink job-site management system
287253	Tool Box



## MAXIMIZE PERFORMANCE WITH THE CONTRACTOR POWERSHOT XT

**REMOTELY ADJUSTS PRESSURE AT THE GUN TO UNLOCK A NEW LEVEL OF PERFORMANCE**

- Electrically connects gun-to-sprayer, eliminating material blast on each trigger pull
- Instant Response Trigger virtually eliminates spits



Contractor PowerShot XT  
18H305 (CEE)  
18H303 (UK)

**LEARN MORE ABOUT CONTRACTOR POWERSHOT GUNS**  
[graco.com/PowerShot](http://graco.com/PowerShot)



# INTRODUCING THE ULTRA XT LINEUP

SEE THE XT DIFFERENCE  
graco.com/UltraXT



	Ultra 490 <i>XT</i>	Ultra 495 <i>XT</i>	Ultra 695 <i>XT</i>	Ultra 795 <i>XT</i>	Ultra 1095 <i>XT</i>
<b>MAXIMUM TIP SIZE</b>	INCREASED TIP SUPPORT 0.025" Max Tip	INCREASED TIP SUPPORT 0.027" Max Tip	0.031" Max Tip	0.033" Max Tip	0.035" Max Tip
<b>MAXIMUM BAR</b>	227	227	227	227	227
<b>MAXIMUM LPM</b>	INCREASED FLOW 2.6	INCREASED FLOW 3.0	INCREASED FLOW 4.0	INCREASED FLOW 4.5	INCREASED FLOW 4.9
<b>XTREME TORQUE MOTOR (HP)</b>	✓ (1.3)	✓ (1.7)	✓ (2.1)	✓ (2.3)	✓ (2.7)
<b>WEIGHT KG</b>	14 (Stand)	14 (Stand)	42 (Standard)	43 (Standard)	51 (Standard)
<b>GUN SUPPORT:</b> 1 GUNS 2 GUNS 3 GUNS	0.025" — —	0.027" — —	0.031" 0.023"	0.033" 0.025" 0.019"	0.037" 0.029" 0.023"

SERIES TYPE		MIDSIZE				STANDARD		PROCONTRACTOR		STANDARD		PROCONTRACTOR		STANDARD		PROCONTRACTOR	
MODEL	Cart Design – Part Number	Stand	19D525 (CEE)	Stand	19D527 (CEE) 19D529 (UK)	Hi-Boy	19F727 (CEE) 19F728 (UK)	Hi-Boy	19F729 (CEE) 19F730 (UK) 20B951 (MULTI)	Hi-Boy	19F731 (CEE) 19F732 (UK)	Hi-Boy	19F733 (CEE) 19F734 (UK) 20B953 (MULTI)	Hi-Boy	19F735 (CEE)	Hi-Boy	19F736 (CEE) 20B955 (MULTI)
		Hi-Boy	19D526 (CEE)	Hi-Boy	19D528 (CEE) 19D530 (UK)		Hi-Boy		19F733 (CEE) 19F734 (UK) 20B953 (MULTI)		Hi-Boy		19F735 (CEE)		Hi-Boy		19F736 (CEE) 20B955 (MULTI)
PUMP	<b>NEW PISTON PUMP</b>	Endurance Vortex		Endurance Vortex		Endurance Vortex		Endurance Vortex		Endurance Vortex		Endurance Vortex		Endurance Vortex		Endurance Vortex	
	<b>NEW VORTEX PISTON ROD</b>	Chromex		Chromex		Chromex		MaxLife		Chromex		MaxLife		Chromex		MaxLife Extreme	
	<b>SLEEVE</b>	—		—		Hardened SST		MaxLife		Hardened SST		MaxLife		Hardened SST		MaxLife	
FEATURES	<b>NEW PROCONNECT REPLACEMENT SYSTEM</b>	✓		✓		✓		✓		✓		✓		✓		✓	
	<b>NEW RAPID-RESPONSE PRESSURE CONTROL</b>	✓		✓		✓		✓		✓		✓		✓		✓	
	<b>NEW SELECTABLE PERFORMANCE MODES</b>	✓		✓		✓		✓		✓		✓		✓		✓	
	<b>NEW LED DISPLAY</b>	✓		✓		✓		✓		✓		✓		✓		✓	
	<b>NEW TURBOCLEAN</b>	✓		✓		✓		✓		✓		✓		✓		✓	
	<b>NEW WATCHDOG PUMP PROTECTION</b>	✓		✓		✓		✓		✓		✓		✓		✓	
	<b>EASY OUT FILTER (60 MESH)</b>	✓		✓		✓		✓		✓		✓		✓		✓	
	<b>NEW QUIKREEL HOSE REEL</b>					Optional		✓		Optional		✓		Optional		✓	
	<b>NEW SMARTDISPLAY XT</b>	Optional		Optional		Optional		✓		Optional		✓		Optional		✓	
	<b>PROGUARD™</b>	✓		✓		✓		✓		✓		✓		✓		✓	
	<b>FLAT PROOF TIRES</b>					Optional		✓		Optional		✓		Optional		✓	
	<b>CRUSHPROOF INLET STRAINER</b>					Optional		✓		Optional		✓		Optional		✓	
	<b>TOOL BOX</b>	Optional (Hi-Boy only)		Optional (Hi-Boy only)		Optional		✓		Optional		✓		Optional		✓	
	<b>CONTRACTOR PC GUN</b>	✓		✓		✓		✓		✓		✓		✓		✓	
	<b>SWITCHTIP</b>	RAC X LP 517		RAC X LP 517		RAC X LP 517		RAC X LP 517		RAC X LP 517		RAC X LP 517		RAC X LP 517		RAC X LP 517	
	<b>HOSE</b>	1/4 in x 15 m Blue Max II Airless Hose		1/4 in x 15 m Blue Max II Airless Hose		1/4 in x 15 m Blue Max II Airless Hose		1/4 in x 15 m Blue Max II Airless Hose		1/4 in x 15 m Blue Max II Airless Hose		1/4 in x 15 m Blue Max II Airless Hose		1/4 in x 15 m Blue Max II Airless Hose		1/4 in x 15 m Blue Max II Airless Hose	
WEAR PARTS	<b>REPLACEMENT PUMP</b>	19D873		19D873		2001548 / 2001549*		2001549		2001573 / 2001574*		2001574		2001550 / 2001551*		2001551	
	<b>REPAIR KIT</b>	18B260		18B260		248212 / 17H838**		17H841**		248212 / 17H838**		17H841**		248213 / 17H839**		17K162 / 17H843**	

\*Endurance Vortex MaxLife Pumps compatible with ALL XT Standard Sprayers (695 XT, 795 XT & 1095 XT)  
\*\*QuickPak Repair Kits — Repack your pump in minutes with modular pre-oiled cartridge packings.





## OUR BRAND PROMISE TO YOU

Since 1926, **innovation**, **quality** and **A+ Service** have been at the centre of Graco.

### Experience Innovation

Our focus on innovation results in products and equipment that lead the industry with technologically-advanced features, pioneering design, high performance and unparalleled reliability. In short, innovation is how you get better products!

### Building Quality

You're investing in high-quality products built to last for years of reliable service. Moreover, we partner with our customers to better understand how you're deploying our products in the field, then use your experiences to improve performance and durability.



### A+ service, every time

You'll see A+ Service in action when you contact any of our support services options no matter where you are in the world. We'll listen to your situation and work methodically to resolve it as quickly as we can. We are guided by a mindset of integrity and a customer service view centred on collaboration and relationships, not transactions.



We're here to answer questions and help address your needs:

[www.graco.com/contact](http://www.graco.com/contact)

Graco is certified ISO 9001.

©2024 Graco Distribution BV 3J0616ENEU-A 06/24. Printed in Europe.

All written and visual data contained in this document are based on the latest product information available at the time of publication. Graco reserves the right to make changes at any time without notice.

All other brand names or marks are used for identification purposes and are trademarks of their respective owners. For more information on Graco's intellectual property, see [www.graco.com/patent](http://www.graco.com/patent) or [www.graco.com/trademarks](http://www.graco.com/trademarks).