



# ULTRA XT™

Introducing Graco's NEW Xtreme Torque™  
Lineup of Professional Electric Airless Sprayers



PROVEN QUALITY. LEADING TECHNOLOGY.



INTRODUCING

# BREAKTHROUGH XT TECHNOLOGY

PATENT PENDING

NEW FOR 2024



Ultra 490 XT  
Stand 19D519

**UP TO 10X QUIETER WITH THE  
NEW SOUND OF QUALITY™**

**UNRIVALED FINISH QUALITY WITH  
THE WORLD'S STEADIEST RUNNING  
PRESSURE**

**SELECTABLE PERFORMANCE MODES™**

**LONGEST LIFE BEFORE SERVICE**

**FASTEST SERVICE ON JOBSITE**

**PUMP WEAR PREVENTION**

**FASTEST CLEANING  
USING LESS FLUID**

**LOWEST COST OF OWNERSHIP**

## EXPERIENCE AIRLESS LIKE NEVER BEFORE

### XTREME TORQUE MOTOR

Experience a new level of performance with the first motor ever designed specifically for airless spray and made by Graco.

### THE SOUND OF QUALITY

Advanced design eliminates multistage gear trains and reduces motor speed by 90% and noise by up to 10X.

### RAPID-RESPONSE™ CONTROL

Delivers the world's steadiest running pressure. Dial-in 10 psi increments with the widest performance range in the industry (50-3,300 psi).

### SELECTABLE PERFORMANCE WITH THE PUSH OF A BUTTON

**Low Pressure Mode:** Optimized performance range to eliminate overspray and improve finish.

**High Pressure Mode:** Offers maximum performance for extended hose lengths and difficult to atomize materials.

### ENDURANCE VORTEX® PISTON PUMPS WITH PROCONNECT®

Auto-rotating vortex rod balances load and prolongs pump life—proven ProConnect replacement system eliminates downtime.

### LED DIGITAL DISPLAY

Features a bright, easy-to-read LED display. See the performance from across the room!

### TURBOCLEAN™

Efficiently cleans 3X faster using half the fluid, significantly reducing recycling costs.

### WATCHDOG™ PUMP PROTECTION

Intelligent auto-shutoff feature activates when the sprayer runs out of paint, safeguarding the pump and maintaining consistent performance.



BREAKTHROUGH FEATURES ACROSS THE ENTIRE XT LINEUP



**NEW FOR 2024**

**FEATURING**

***BREAKTHROUGH  
XTREME TORQUE MOTOR*** PATENT PENDING

**1<sup>ST</sup> MOTOR EVER DESIGNED BY GRACO  
SPECIFICALLY FOR AIRLESS SPRAY**

**15X MORE TORQUE** THAN TRADITIONAL MOTORS

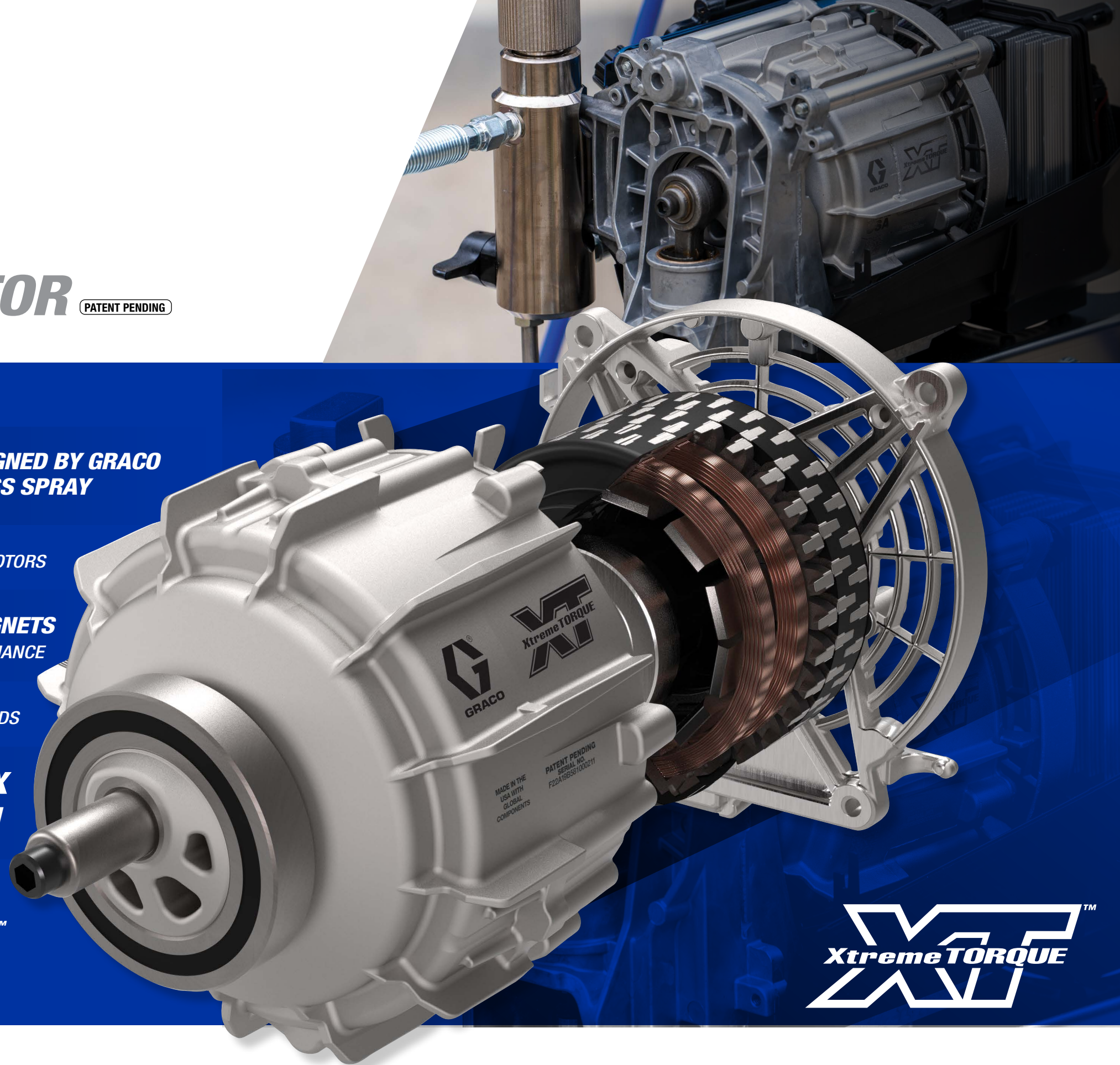
**8X MORE MAGNETS**

DELIVERS RAPID ACCELERATION AND SMOOTH PERFORMANCE

**90% LOWER** RUNNING SPEEDS

**MONITORS PRESSURE 60X  
PER MOTOR REVOLUTION**

**UP TO 10X QUIETER OPERATION DELIVERS  
THE NEW SOUND OF QUALITY™**



D E S I G N E D , E N G I N E E R E D & M A N U F A C T U R E D B Y G R A C O

FEATURING

# THE WORLD'S WIDEST & STEADIEST RUNNING PRESSURE PATENT PENDING

## EXPERIENCE NEXT-GENERATION PERFORMANCE

### SPRAY MORE JOBS WITH THE WORLD'S STEADIEST PRESSURE CONTROL

- Rapid-Response™ Control eliminates pressure fluctuations by continuously monitoring pressure — 60X per motor revolution
- Instantly adjusts motor speed to eliminate 75% of pressure fluctuations for a Perfect Airless Finish™

### WIDEST PERFORMANCE RANGE — FROM 50 TO 3,300 PSI

- Offers the largest operating pressure range providing full control and maximum productivity
- Flexible for more applications — coatings, hose lengths and tip sizes to meet every application

### PUSH-BUTTON PERFORMANCE

- Two selectable performance modes offer unique performance levels to boost efficiency on every job
- Features a bright easy-to-read LED Display — see performance from across the room

### MAXIMIZE UPTIME

- TurboClean™ cleans the pump 3X faster with 1/2 the fluid
- WatchDog™ Pump Protection automatically shuts down the sprayer when out of paint, preventing premature wear

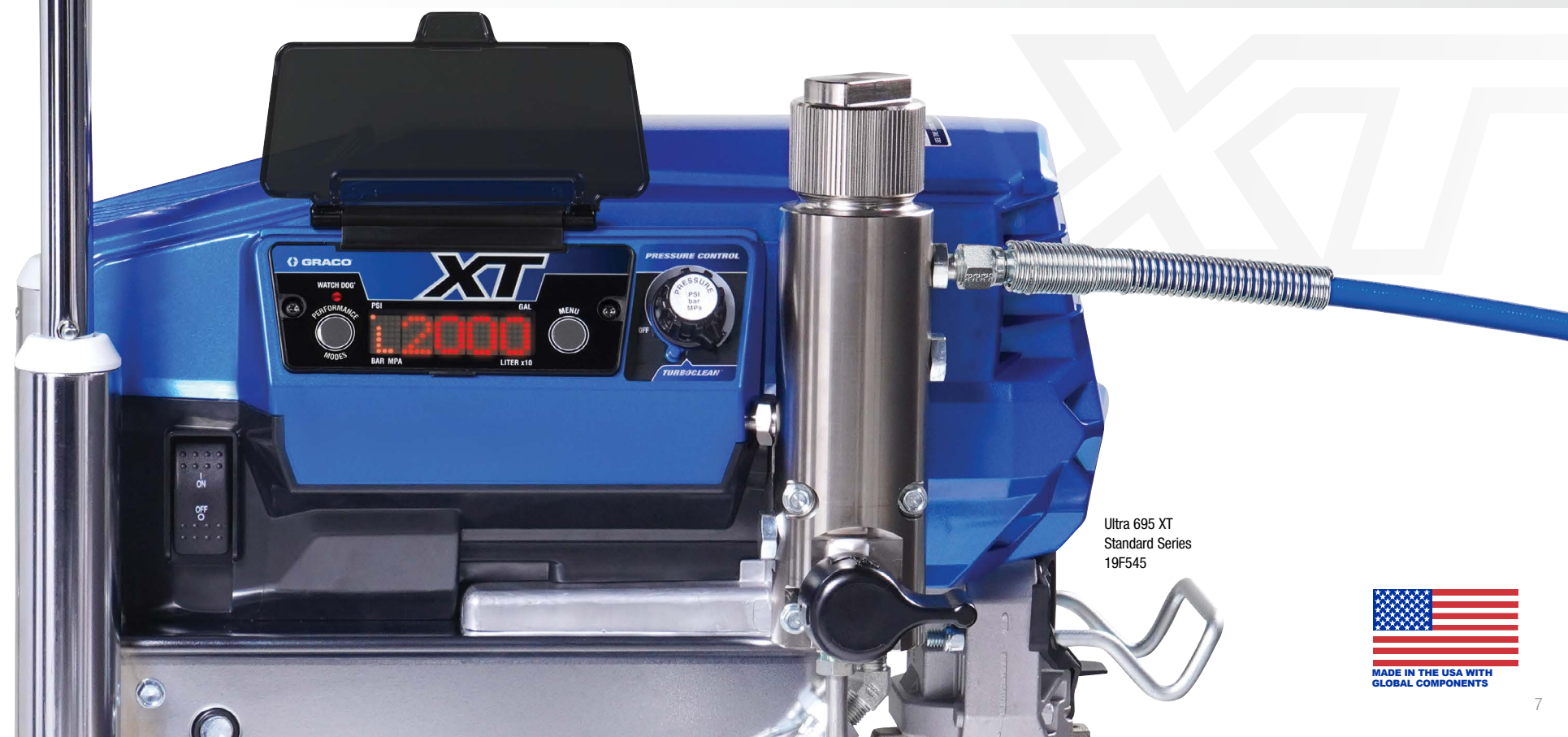
## BRING ON SAVINGS WITH SELECTABLE PERFORMANCE

### LOW PRESSURE PERFORMANCE MODE 50 - 2,000 PSI

- Maximizes savings, ideal for most projects with superior finish
- Optimized performance range to eliminate overspray and improve finish with RAC X™ LP SwitchTips™
- Adjustable in 10 psi increments — achieve extreme control down to 50 psi

### HIGH PRESSURE PERFORMANCE MODE 500 - 3,300 PSI

- Ideal for difficult to atomize materials, extended hose lengths or during cold running conditions
- Use this mode for the best finish with any RAC® SwitchTip



Ultra 695 XT  
Standard Series  
19F545



## SEE THE XT DIFFERENCE

[graco.com/UltraXT](http://graco.com/UltraXT)



FEATURING

# UNRIVALED PUMP DURABILITY & PERFORMANCE PATENTED

## SPRAYS 3X MORE GALLONS THAN THE NEAREST COMPETITOR

- Endurance piston pumps are made using the highest grade materials to deliver the industry's longest life
- Proven proprietary V-MAX Blue™ packings individually supported on chrome piston rod to deliver reliability you can count on
- Included on all 490 XT-650 XT and Standard Series XT models

## ENDURANCE VORTEX TECHNOLOGY ON ALL MODELS

- Delivers the longest pump life by automatically rotating piston rod to extend pump life
- Virtually eliminates side loading

## MORE PAINT APPLIED PER PISTON STROKE

- Up to 80% longer piston stroke than competitive models — enhances flow and boosts performance
- Extended piston stroke design increases wear surface and improves hard part life

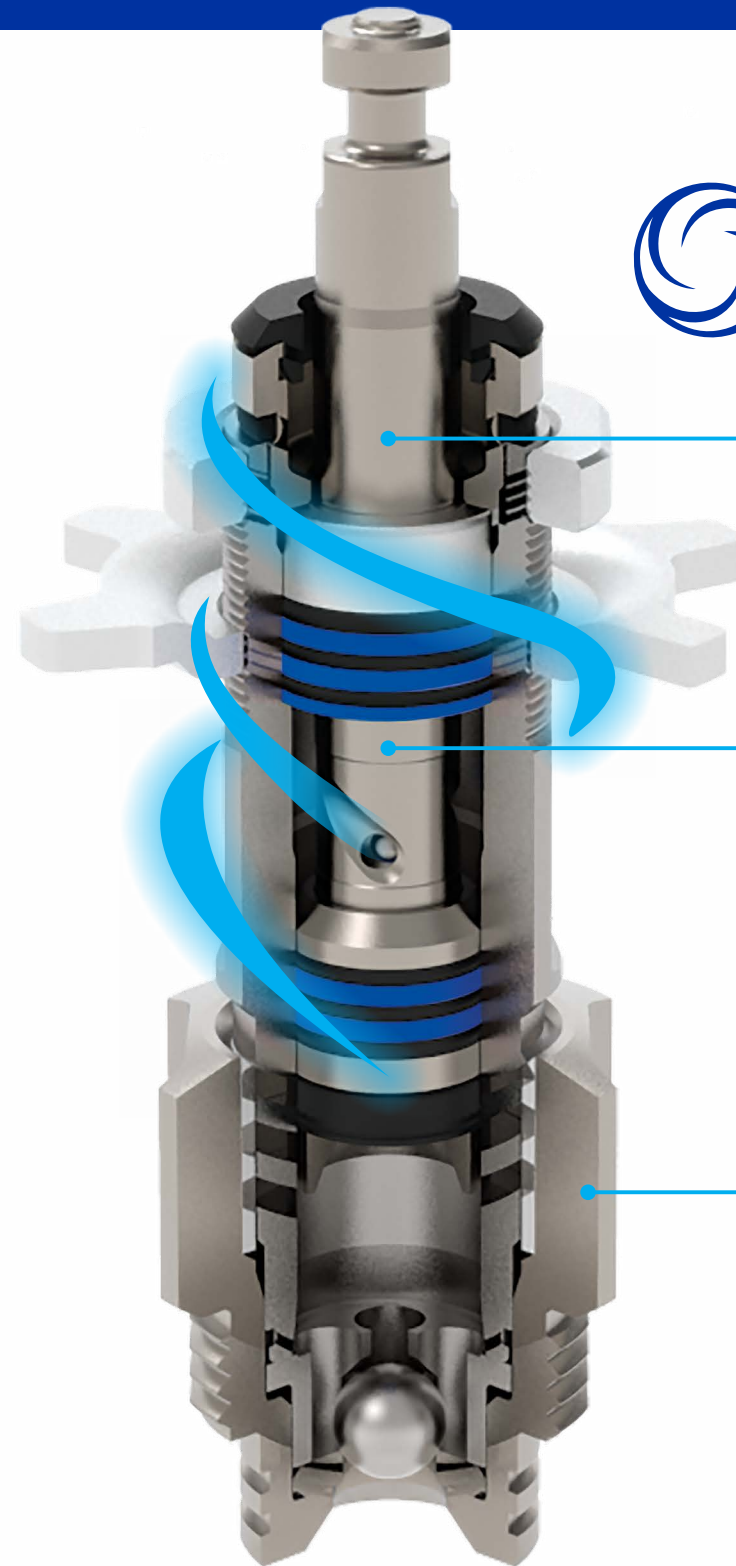
## ELIMINATE DOWNTIME WITH PROCONNECT JOBSITE SERVICEABILITY



Loosen the Clamping Nut  
Open Door & Remove Pump  
Remove Hose & Suction Tube



Eliminate Downtime with ProConnect On-the-Job Pump Replacement — now included on ALL XT Models



### VORTEX TECHNOLOGY

Rotating rod for extended life

### 360° WEAR SURFACE

- Even loading delivers the longest pump life

### HELICAL PISTON ROD DESIGN

- Delivers high-velocity flow to rotate pump rod as you spray
- The piston rod slowly turns — balancing wear and extending life

### QUIKACCESS™ INTAKE

- Easy debris removal with knock-off foot valve
- Longer spray time with reversible inlet seat

PROCONTRACTOR **XT**

## UPGRADE TO PROCONTRACTOR™ FOR 6X LONGER PUMP LIFE

- Proprietary piston and sleeve delivers 6X more gallons pumped between repacks
- Included on all ProContractor Series models



Endurance Vortex MaxLife Pump

6X longer between repacks

Endurance Vortex MaxLife Extreme Pump

Extends pump rod life by 3X — delivering the industry's lowest cost of ownership



# ULTRA XT MIDSIZE ELECTRIC SPRAYERS

490 XT | 495 XT | 650 XT

## INCREASED PERFORMANCE— UNMATCHED RELIABILITY

Midsized electric airless sprayers make it easier to get more work done in a day with increased flow and production rates.



Ultra 490 XT  
Stand 19D519

# ULTRA XT STANDARD SERIES LARGE ELECTRIC SPRAYERS

695 XT | 795 XT | 1095 XT

## EVERYDAY RELIABILITY FOR LARGER JOBS

Larger painting jobs demand the proven quality and performance of Graco's Standard Series large electric sprayers to deliver a job well done, every time.



Ultra 695 XT  
Standard Series  
19F545

## FEATURES FOUND ON ALL MIDSIZE & STANDARD XT SPRAYERS

NEW

### SOUND OF QUALITY

#### Xtreme Torque Motor Technology

- Up to 10X Quieter
- Experience a new level of performance with the first motor ever designed specifically for airless spray

NEW

### WORLD'S STEADIEST RUNNING PRESSURE

#### Rapid-Response Control with LED Digital Display

- Instantly adjusts motor speed to eliminate 75% of pressure fluctuations for a Perfect Airless Finish™
- Features a bright, easy-to-read LED display—see the performance from across the room!

NEW

### PUSH BUTTON PERFORMANCE

#### Selectable Performance Modes

- Two Selectable Performance Modes offer unique performance levels to easily boost efficiency on every job
- Expand capability and range of applications with a single sprayer—like having two sprayers in one!

NEW

### LONGEST LIFE BEFORE SERVICE

#### Endurance™ Vortex® Pump

- 3X Longer life than the closest competitor
- Automatically rotates rod while pumping delivering longest life

NEW

### FASTEST SERVICE ON THE JOB

#### ProConnect Replacement System

- Fast and easy on-the-job replacement system
- One part solution to keep spraying

NEW

### MAXIMIZE UPTIME

#### TurboClean™ Cleaning System & WatchDog™ Pump Protection

- TurboClean delivers high-velocity fluid flow to clean the pump 3X faster using ½ the fluid
- WatchDog prevents pump damage if the material supply is too low by automatically shutting off the pump

### EASY MAINTENANCE AND LESS CLOGGING

#### Easy Out™ Pump Filter

- Large inside-out filtering process ensures a quality finish

## NEW INCREASED PERFORMANCE

MIDSIZE ELECTRIC	MAX TIP SIZE	MAX GPM	STAND	HI-BOY	LO-BOY
Ultra 490 XT	.025"	.70	19D519	19D521	19D520
Ultra 495 XT	.027"	.80	19D522	19D524	19D523
Ultra 650 XT	.029"	.90	—	20B305	20B304

### READY TO SPRAY WITH:

Contractor PC™ Gun  
RAC X LP517 SwitchTip™ and Guard  
BlueMax™ II 1/4 x 50 ft (6.4mm x 15m) Airless Hose

## NEW INCREASED PERFORMANCE

STANDARD LARGE ELECTRICS	MAX TIP SIZE	MAX GPM	HI-BOY	LO-BOY
Ultra 695 XT Standard	.031"	1.05	19D545	19F553
Ultra 795 XT Standard	.033"	1.20	19F710	—
Ultra 1095 XT Standard	.037"	1.30	19F546	—

### READY TO SPRAY WITH:

Contractor PC Gun  
RAC X LP517 SwitchTip and Guard  
BlueMax II 1/4 x 50 ft (6.4mm x 15m) Airless Hose

# ULTRA XT

## PROCONTRACTOR SERIES LARGE ELECTRIC SPRAYERS

INCLUDES ALL STANDARD SERIES FEATURES

### PLUS:



Ultra 1095 XT  
ProContractor Series  
19F548

**NEW SUPERIOR PUMP LIFE**

**Endurance Vortex MaxLife and MaxLife Extreme Piston Pumps**

- Innovative MaxLife Technology last 6x longer between repacks — included on Ultra 695 XT and 795 XT ProContractor models
- MaxLife Extreme Technology extends rod life 3X longer delivering the industry's lower cost of ownership — included on Ultra1095 XT ProContractor model

**NEW EASY HOSE MANAGEMENT**

**QuikReel™ Hose Management System**

- Deploy and rewind up to 300 feet of hose in seconds without twisting, kinking or coiling
- Use only the hose you need — the rest stays on the reel

**NEW BREAKTHROUGH PRODUCTIVITY AND FINISH QUALITY WITH LED SMARTDISPLAY XT™**

**Contractor PowerShot XT™ Connection Ready**

- Ready to Connect to the Contractor PowerShot XT out of the box — PowerShot gun sold separately
- Achieve the best finish in the industry by remotely controlling pressure from the gun and eliminating pressure surge with SmartStall™

**BlueLink™ Jobsite Management System**

- Know your job's progress, locate your sprayers and maximize uptime with this innovative technology that is free to use

**NEW NEVER HAVE A FLAT AGAIN!**

**Flat Proof Tires**

- Tires can't be punctured by nails, screws or other sharp debris

**DURABLE FILTRATION**

**Crushproof Inlet Strainer**

- Stands up to harsh impacts to maintain flow through filter

### NEW INCREASED PERFORMANCE

PROCONTRACTOR LARGE ELECTRICS	MAX TIP SIZE	MAX GPM	PART #	PISTON PUMP TECHNOLOGY
Ultra 695 XT ProContractor	.031"	1.05	19F547	Endurance Vortex MaxLife
Ultra 795 XT ProContractor	.033"	1.20	19F711	Endurance Vortex MaxLife
Ultra 1095 XT ProContractor	.037"	1.30	19F548	Endurance Vortex MaxLife Extreme

**READY TO SPRAY WITH:**

- Contractor PC Gun
- RAC X LP517 SwitchTip and Guard
- BlueMax II 1/4 x 50 ft (6.4mm x 15m) Airless Hose

## ACCESSORIES

Maximize your performance and get to the next job faster by customizing your sprayer with proven Graco accessories.

**XT ACCESSORIES:**

Upgrade your sprayer to maximize your productivity!

PART #	DESCRIPTION
25V145	Modular QuikReel Kit for 695 XT, 795 XT & 1095 XT
20B529	XT Airless Hopper Kit for 490 XT & 495 XT
20B198	Flat Proof Tires for 695 XT & 795 XT - order 2
17E687	Flat Proof Tires for 1095 XT - order 2
15V573	Crushproof Inlet Strainer for 695 XT, 795 XT & 1095 XT
18H301	Contractor PowerShot XT Gun for all XT models
18H313	Contractor PowerShot XT Gun with SmartDisplay XT for all XT models
20B432	SmartDisplay XT • Connect Contractor PowerShot XT to any XT Sprayer to unlock a new level of performance for all XT models • Upgrade any XT Sprayer with Bluelink job-site management system



### MAXIMIZE PERFORMANCE WITH THE CONTRACTOR POWERSHOT XT

**REMOTELY ADJUSTS PRESSURE AT THE GUN TO UNLOCK A NEW LEVEL OF PERFORMANCE**

- Electrically connects gun-to-sprayer, eliminating material blast on each trigger pull
- Instant Response Trigger virtually eliminates spits



Contractor PowerShot XT  
18H301

**LEARN MORE ABOUT  
CONTRACTOR POWERSHOT GUNS**  
[graco.com/PowerShot](http://graco.com/PowerShot)





# INTRODUCING THE ULTRA XT LINEUP

SEE THE XT DIFFERENCE  
[graco.com/UltraXT](http://graco.com/UltraXT)



	Ultra 490 <i>XT</i>	Ultra 495 <i>XT</i>	Ultra 650 <i>XT</i>	Ultra 695 <i>XT</i>	Ultra 795 <i>XT</i>	Ultra 1095 <i>XT</i>
MAXIMUM TIP SIZE	INCREASED TIP SUPPORT 0.025" Max Tip	INCREASED TIP SUPPORT 0.027" Max Tip	0.029" Max Tip	0.031" Max Tip	0.033" Max Tip	INCREASED TIP SUPPORT 0.037" Max Tip
MAXIMUM PSI (BAR)	3,300 (227)	3,300 (227)	3,300 (227)	3,300 (227)	3,300 (227)	3,300 (227)
MAXIMUM GPM (LPM)	INCREASED FLOW 0.70 (2.6)	INCREASED FLOW 0.80 (3.0)	INCREASED FLOW 0.90 (3.4)	INCREASED FLOW 1.05 (4.0)	INCREASED FLOW 1.20 (4.5)	INCREASED FLOW 1.30 (4.9)
XTREME TORQUE MOTOR (HP)	✓ (1.3)	✓ (1.7)	✓ (1.9)	✓ (2.1)	✓ (2.3)	✓ (2.7)
WEIGHT LB (KG)	31 (14) Stand	31 (14) Stand	69 (31) Hi-Boy	93 (42) Standard	94 (43) Standard	112 (51) Standard
GUN SUPPORT: 1 GUNS 2 GUNS 3 GUNS	0.025" - -	0.027" - -	0.029" 0.019"	0.031" 0.023"	0.033" 0.025" 0.019"	0.037" 0.029" 0.023"



SERIES TYPE		MIDSIZE			STANDARD	PROCONTRACTOR	STANDARD	PROCONTRACTOR	STANDARD	PROCONTRACTOR	
MODEL	Cart Design – Part Number	Stand – 19D519 Lo-Boy – 19D520 Hi-Boy – 19D521	Stand – 19D522 Lo-Boy – 19D523 Hi-Boy – 19D524	Lo-Boy – 20B304 Hi-Boy – 20B305	Lo-Boy – 19F553 Hi-Boy – 19F545	Hi-Boy – 19F547	Hi-Boy – 19F710	Hi-Boy – 19F711	Hi-Boy – 19F546	Hi-Boy – 19F548	
PUMP	NEW PISTON PUMP	Endurance Vortex	Endurance Vortex	Endurance Vortex	Endurance Vortex	Endurance Vortex	Endurance Vortex	Endurance Vortex	Endurance Vortex	Endurance Vortex	
	NEW VORTEX PISTON ROD	Chromex	Chromex	Chromex	Chromex	MaxLife	Chromex	MaxLife	Chromex	MaxLife Extreme	
	SLEEVE	-	-	Hardened SST	Hardened SST	MaxLife	Hardened SST	MaxLife	Hardened SST	MaxLife	
FEATURES	NEW PROCONNECT REPLACEMENT SYSTEM	✓	✓	✓	✓	✓	✓	✓	✓	✓	
	NEW RAPID-RESPONSE PRESSURE CONTROL	✓	✓	✓	✓	✓	✓	✓	✓	✓	
	NEW SELECTABLE PERFORMANCE MODES	✓	✓	✓	✓	✓	✓	✓	✓	✓	
	NEW LED DISPLAY	✓	✓	✓	✓	✓	✓	✓	✓	✓	
	NEW TURBOCLEAN	✓	✓	✓	✓	✓	✓	✓	✓	✓	
	NEW WATCHDOG PUMP PROTECTION	✓	✓	✓	✓	✓	✓	✓	✓	✓	
	EASY OUT FILTER (60 MESH)	✓	✓	✓	✓	✓	✓	✓	✓	✓	
	NEW QUIKREEL HOSE REEL					Optional	✓	Optional	✓	Optional	✓
	NEW SMARTDISPLAY XT	Optional	Optional	Optional	Optional	Optional	✓	Optional	✓	Optional	✓
	FLAT PROOF TIRES					Optional	✓	Optional	✓	Optional	✓
	CRUSHPROOF INLET STRAINER					Optional	✓	Optional	✓	Optional	✓
	CONTRACTOR PC GUN	✓	✓	✓	✓	✓	✓	✓	✓	✓	✓
	SWITCHTIP	RAC X LP 517	RAC X LP 517	RAC X LP 517	RAC X LP 517	RAC X LP 517	RAC X LP 517	RAC X LP 517	RAC X LP 517	RAC X LP 517	RAC X LP 517
HOSE	1/4 in x 50 ft (6.4 mm x 15 m) Blue Max II Airless Hose	1/4 in x 50 ft (6.4 mm x 15 m) Blue Max II Airless Hose	1/4 in x 50 ft (6.4 mm x 15 m) Blue Max II Airless Hose	1/4 in x 50 ft (6.4 mm x 15 m) Blue Max II Airless Hose	1/4 in x 50 ft (6.4 mm x 15 m) Blue Max II Airless Hose	1/4 in x 50 ft (6.4 mm x 15 m) Blue Max II Airless Hose	1/4 in x 50 ft (6.4 mm x 15 m) Blue Max II Airless Hose	1/4 in x 50 ft (6.4 mm x 15 m) Blue Max II Airless Hose	1/4 in x 50 ft (6.4 mm x 15 m) Blue Max II Airless Hose	1/4 in x 50 ft (6.4 mm x 15 m) Blue Max II Airless Hose	
WEAR PARTS	REPLACEMENT PUMP	19D873	19D873	2002382	2001548 / 2001549*	2001549	2001573 / 2001574*	2001574	2001550 / 2001551*	2001551	
REPAIR KIT	18B260	18B260	18B260	248212 / 17H838**	17H841**	248212 / 17H838**	17H841**	248213 / 17H839**	17K162 / 17H843**		

\*Endurance Vortex MaxLife Pumps compatible with ALL XT Standard Sprayers (695 XT, 795 XT & 1095 XT)  
\*\*QuickPak Repair Kits — Repack your pump in minutes with modular pre-oiled cartridge packings.





# SPRAY WITH CONFIDENCE

## Industry-Leading Warranty Protection

Every Graco electric sprayer is backed by the industry's best warranty coverage.

### LIFETIME ELECTRIC MOTOR WARRANTY\*

If the motor fails from normal use, we'll replace it under warranty for the original owner for the life of the sprayer.

### LIFETIME DRIVETRAIN WARRANTY\*

If the drivetrain fails from normal use, we'll replace it under warranty for the original owner for the life of the sprayer.

### 30-DAY "JUST ADD PAINT" REPLACEMENT GUARANTEE\*

Dissatisfied? Simply return the sprayer to the place you bought it within 30 days. They'll either exchange it for an identical sprayer or you can trade up to a larger sprayer at an additional cost.

### 3-YEAR WARRANTY\*

Coverage against defects in materials and workmanship on the entire sprayer.

### DOWNTIME ELIMINATOR PROGRAM\*

Part needed for a warranty repair not in stock at your distributor? Get FREE next business day air freight delivery when distributor orders the part by 2 p.m. CT.

### CONVENIENT SERVICE

Graco offers more than 5,500 authorized distributor locations in North America and over 700 locations to administer warranty repair.

\*NORTH AMERICA ONLY. See your local Graco Distributors for country specifics.



## FINISH EVERY JOB, EVERY TIME

Downtime is costly. With the Endurance Advantage Program, you'll never need to worry about it again. Depending on the sprayer you purchase:

**Receive up to 70% OFF the list price of an Endurance Pump**  
**OR — Receive a FREE Repair Kit if you'd rather repack your own pump.**



Every Graco purchase comes with A+ Customer Service.

Questions?  
Call (844) 241-9499

**For more information visit [graco.com/contractor](https://www.graco.com/contractor)**

©2024 Graco Inc. 3J0616B 6/24 All written and visual data contained in this document are based on the latest product information available at the time of publication. Graco reserves the right to make changes at any time without notice. Trademarks are referenced herein for identification purposes only. All trademarks are the property of their respective owners. Product covered by issued and pending patents, see [graco.com/patents](https://www.graco.com/patents). DEWALT® and the DEWALT Logo are trademarks of DeWALT Industrial Tool Co. and are used under license. With respect to 20V MAX, maximum initial battery voltage (measured without workload), is 20 volts. Nominal is 18 volts.