




OWNER'S MANUAL

824111

Rev. E

 This manual contains important warnings and information. **READ AND RETAIN FOR REFERENCE**

INSTRUCTIONS

Pressure Washers



Model 824101, Series A

2030 Pressure Washer on upright cart with hose and gun
2400 psi (165 bar, 16.5 MPa) Maximum Working Pressure

Model 824102, Series A

2835 Pressure Washer on upright cart with hose and gun
3200 psi (221 bar, 22.1 MPa) Maximum Working Pressure

Model 824103, Series A

3040 Pressure Washer on upright cart with hose and gun
3400 psi (234 bar, 23.4 MPa) Maximum Working Pressure

Model 824104 Series A

3340 Pressure Washer on upright cart with hose and gun
3700 psi (255 bar, 25.5 MPa) Maximum Working Pressure

U.S. PATENT NO.
PATENTED 1983, CANADA
AND OTHER PATENTS PENDING

Related Manual

Hydra-Clean® Gun 308511

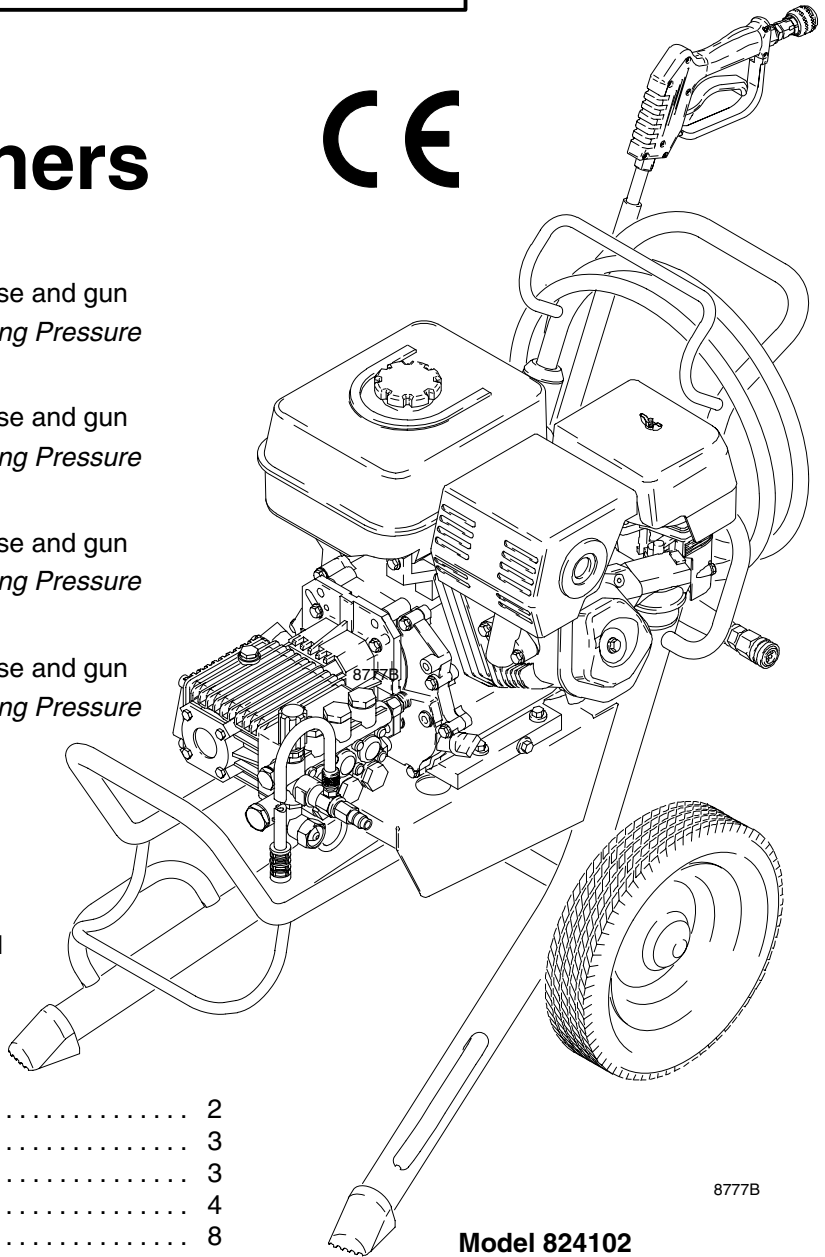


Table of Contents

Warnings	2
Setup	3
Pressure Relief Procedure	3
Operation	4
Troubleshooting	8
Pump Service: 2030 Pressure Washer	10
Pump Service: 2835, 3040, & 3340 Pressure Washers	12
Parts: 2030 Pressure Washer	14
Parts: 2835, 3040, & 3340 Pressure Washers	16
Accessories	18
Technical Data	19
Sherwin-Williams Warranty	20
Phone Number	20

The SHERWIN-WILLIAMS COMPANY, CLEVELAND, OHIO 44115

©COPYRIGHT 1998, GRACO INC.

Warning Symbol



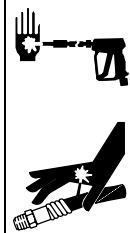
This symbol alerts you to the possibility of serious injury or death if you do not follow the instructions.

Caution Symbol



This symbol alerts you to the possibility of damage to or destruction of equipment if you do not follow the instructions.

WARNING



INJECTION HAZARD

Spray from the gun, leaks, or ruptured components can inject fluid into your body and cause serious injury. Fluid splashed in the eyes or on the skin can also cause serious injury.

- Fluid injected into the skin might look like just a cut, but it is a serious injury. **Get emergency medical attention.**
- Do not point gun at anyone or at any part of body, and do not stop or deflect leaks with hand, body, glove, or rag.
- Do not put hand or fingers over spray tip.
- Tighten fluid connections before you start this equipment.
- Engage the gun trigger safety latch whenever you stop spraying.
- Follow **Pressure Relief Procedure** on page 3 if spray tip clogs and before you clean, check, or service this equipment.
- Repair or replace worn or damaged parts immediately.
- Check hoses, tubes, and couplings daily. Do not repair high-pressure couplings. Replace entire hose. Fluid hoses must have spring guards on both ends to prevent kinks and rupture.



HAZARDOUS FLUIDS

Improper handling of hazardous fluids can cause serious injury or death due to splashing in eyes, ingestion, or bodily contamination.

- Know specific hazards of fluid being used.
- Store hazardous fluids in approved containers. Dispose of hazardous fluids per local, state, and national guidelines.
- Wear protective eye wear, gloves, clothing, and respirator as recommended by the fluid manufacturer.



FUEL HAZARD

The fuel used in this pressure washer is combustible and when spilled on a hot surface can ignite and cause a fire. Do not fill the fuel tank while the engine is running or hot.



EXHAUST HAZARD

The exhaust contains poisonous carbon monoxide which is colorless and odorless. Do not operate this equipment in a closed building.

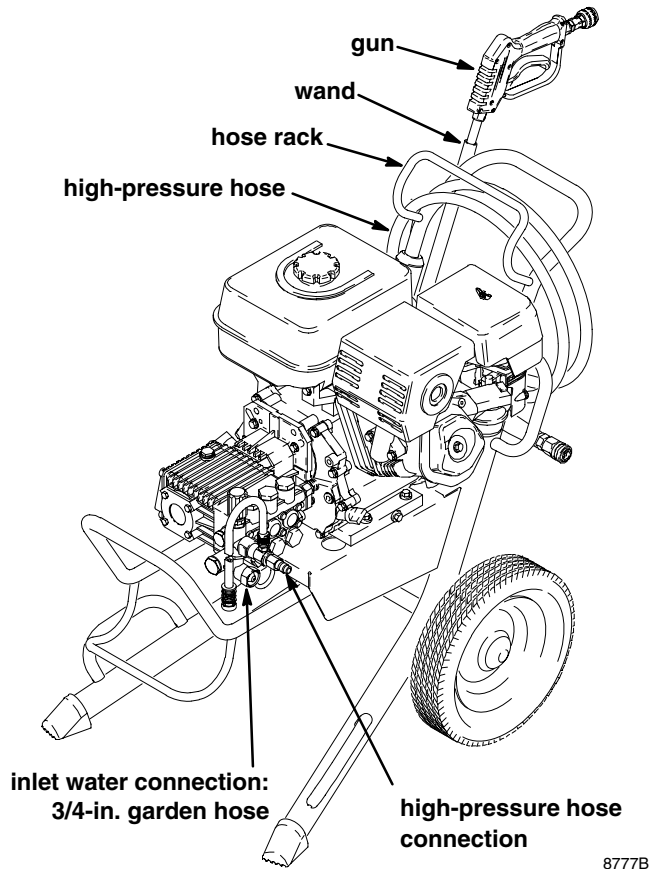


EQUIPMENT MISUSE HAZARD

Misuse of the pressure washer or accessories could cause them to rupture and result in fluid injection, splashing in the eyes or on the skin, or other serious injury.

- Do not alter or modify any part or factory-set adjustment of this equipment.
- Do not exceed the maximum working pressure of any component or accessory in the system.
- Do not use any chemicals that are incompatible with the wetted parts as stated in **Technical Data** on page 19.
- Do not alter throttle setting.

Setup



Check for Shipping Damage

Check the pressure washer for shipping damage. **Notify the carrier immediately** if there is any damage.

Connect High-Pressure Hose and Gun

Connect the high-pressure hose to the high-pressure hose connection and the gun. Both of these connections are made with quick couplers.

CAUTION

Up to 100 ft (30 m) of high-pressure hose may be used. Longer hoses could affect sprayer performance and chemical injector performance.

Install Spray Tip

Install the appropriate spray tip on the wand. See **Installing and Changing Spray Tips** on page 5. If you are using a Sandblaster Kit, see its separate manual for installation instructions.

Connect to Water Supply

CAUTION

Before you connect the garden hose to the pressure washer, check your local plumbing code regarding cross-connection to the water supply. If required, install a backflow preventer.

If the inlet water pressure is over 60 psi (4.1 bar), a regulating water valve must be installed at the garden hose connection.

Do not exceed 160°F (70°C) inlet water temperature.

Connect a hose with at least a 3/4-in. (19 mm) ID from the water supply to the 3/4-in. garden hose inlet. The supply hose should not be more than 50 ft (15 m) long.

NOTE: The water supply *must* have a minimum flow rate equal to that of the pressure washer. See **Technical Data** on page 19.

Pressure Relief Procedure

WARNING



INJECTION HAZARD

The system pressure must be manually relieved to prevent the system from starting or spraying accidentally. Fluid under high pressure can be injected through the skin and cause serious injury. To reduce the risk of an injury from injection, splashing fluid, or moving parts, follow the **Pressure Relief Procedure** whenever you

- Are instructed to relieve the pressure
- Stop spraying for more than 10 minutes
- Check or service any of the system equipment
- Install or clean the spray nozzle

1. Engage the gun trigger safety latch.
2. Turn the sprayer off, and remove the ignition cable from the spark plug.
3. Shut off the water supply.
4. Disengage the trigger safety latch, and trigger the gun to relieve pressure. Then engage the trigger safety latch.

If you suspect that the spray tip or hose is clogged or that pressure has not been fully relieved after following the steps above: Disengage the trigger safety latch, and trigger the gun to relieve pressure. Wrap a rag around the hose end coupling, and **VERY SLOWLY** loosen the coupling to relieve pressure gradually. Then loosen it completely. Then clear the tip or hose.

Operation

Startup

Always use this start-up procedure to ensure that the pressure washer is started safely and properly.

- Always engage the gun trigger safety latch when you stop spraying even for a moment. This reduces the risk of fluid injection or splashing in the eyes or on the skin if the gun is bumped or triggered accidentally.
- Always observe the **CAUTIONS** in this section to avoid costly damage to the pressure washer.
- If you use the Sandblaster Kit, see the Sandblaster Kit manual for detailed cleaning information.

1. Check the oil level.

NOTE: All pressure washers are equipped with a low-oil sensor that shuts the engine off if the oil level falls below a certain level. If the engine stops unexpectedly, check both the oil and the fuel levels. Check the oil level each time you refuel.

2. Check the fuel level.

WARNING



FIRE HAZARD

Do not refuel a hot engine. Refueling a hot engine could cause a fire. Use only fresh, clean regular or unleaded gasoline. Close the fuel shutoff valve during refueling.

3. Turn on the water supply.

CAUTION

Never run the pressure washer without water. Costly damage to the pump will result. Always be sure the water supply is completely turned on before you run the pressure washer.

4. Trigger the gun until water sprays from the tip, indicating that the air is purged from the system.

5. Open the fuel shutoff valve. Be sure the spark plug ignition cable is pushed firmly onto the spark plug. Put the switch in the START position, and put the throttle in the RUN position.

CAUTION

Do not allow the pressure washer to idle for more than 10 minutes. Doing so could cause the recirculating water to overheat and seriously damage the pump. Turn off the pressure washer if it will not be spraying at least every 10 minutes. If heated inlet water is used, reduce this time more. Do not operate the pressure washer with the inlet water screen removed. The screen helps keep abrasive sediment out of the pump, which could clog the pump or damage the cylinders. Keep the screen clean. Do not pump caustic materials; such materials could corrode the pump components.

6. Pull the starter rope to start the engine. Brace one foot on the pressure washer chassis, and pull the starter rope out quickly. Pull and return the rope until the engine starts.

CAUTION

Do not allow the starter rope to snap back against the engine. Let the rope recoil gently to prevent damage to the recoil.

NOTE: For easier starting, have one person start the pressure washer while another person triggers the gun.

If the engine is cold, start the engine with the choke completely closed. In cool weather, you might have to let the engine run with the choke closed for the first 10 to 30 seconds. In warm weather, open the choke completely as soon as the engine starts.

If the engine is warm, start the engine with the choke completely open or partially closed. When the engine starts, open the choke completely.

Operation

Trigger Safety Latch

⚠ WARNING

To reduce the risk of serious bodily injury, including fluid injection and splashing in the eyes or on the skin, always engage the trigger safety latch when you stop spraying even for a moment. When engaged, the trigger safety latch prevents the gun from being triggered accidentally by hand or if it is dropped or bumped. Be sure the latch is pushed fully down, or it will not prevent the gun from being triggered. See Fig. 1.

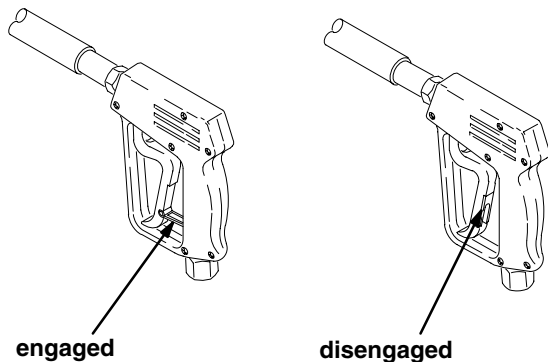



Fig. 1 **Trigger Safety Latch** 04612

Chemical Injector Operation

1.  **Relieve the pressure.** See page 3.
2. Insert the chemical filter (attached with clear tubing to the chemical injector) into the container of chemical.
3. Install the black large-orifice chemical tip. See **Installing and Changing Spray Tips** at right.


This causes a drop in pressure that actuates the chemical injector. Changing back to a small diameter spray tip deactivates the chemical injector and produces high pressure for rinsing. The chemical filter can be left in the chemical container during high pressure use. To regulate the flow rate of the chemical, turn the chemical adjustment knob on the injector. Maximum chemical flow is a full two turns counterclockwise from the CLOSED (clockwise) position.

Installing and Changing Spray Tips

Spray tips have 4- or 5-digit numbers on them. The first two digits are the spray angle. Select the spray tip appropriate for your application. Tip holding holes are provided on the chassis.

Spray Tip Number	Spray Pattern Fan Angle
00XXX	0° blaster (red)
15XXX	15° (yellow)
25XXX	25° (green)
40XXX	40° (white)

NOTE: The chemical injector tip is brass and has a large opening and a black plastic cap.

1.  **Relieve the pressure.** See page 3.
2. Point the gun and wand away from yourself and anyone else.
3. Without holding your hand over the spray tip (A), pull back the quick coupler ring (B). Remove the current tip and/or install a different one, and then push back the ring. See Fig. 2.
4. Pull on the tip to be sure it is secure before you spray again.

⚠ CAUTION

To avoid blowing the O-ring out of the quick coupler due to the high pressure in the system, never operate the pressure washer without a tip securely mounted in the quick coupler.

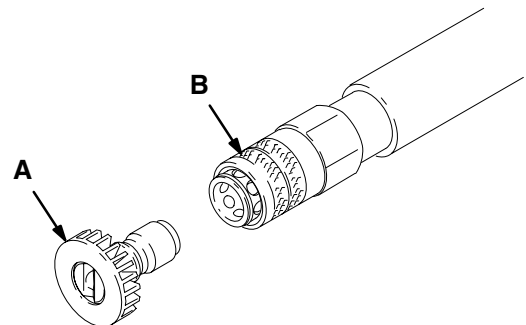


Fig. 2

Operation

Shutdown, Flushing, and Storage

NOTE: Antifreeze Flush Kit 802327 is available to make flushing easier.

CAUTION

If water does freeze in the pressure washer, thaw it in a warm room before you try to start it. Do not pour hot water on or into the pump; it could crack the ceramic plungers.

- If the pressure washer will be exposed to freezing temperatures, drain all water out of the pump. If it must be stored in freezing temperatures, flush the pressure washer with a 50% antifreeze solution, and relieve the pressure. Flush the pressure washer before you use it again to remove the antifreeze.
- Before you store the pressure washer overnight or transport it, disconnect the water supply, and turn off the fuel supply valve.
- After each use, wipe all surfaces of the pressure washer with a clean, damp cloth.
- Perform the appropriate maintenance. See **Maintenance Chart** at right.

Maintenance

Observing regular maintenance intervals helps ensure that you get maximum performance and life from the pressure washer.

There is a break-in period for the engine and pump. After you change the oil in these components following their respective break-in periods, the interval between required changes is longer.

If the pressure washer is operated in dusty conditions, these maintenance checks should be made more often.



Relieve the pressure (see page 3) before you proceed with maintenance.

Maintenance Chart

Interval	What to do
Daily	Clean water inlet screen and filter. Check engine and pump oil levels. Fill as necessary. Check gasoline level. Fill as necessary.
After first 5 hours of operation	Change engine break-in oil. Drain oil when warm. Use SAE 30 or 10W-30 detergent oil.
After first 25 hours of operation	Re-torque exhaust manifold nuts to 20 ft-lb (27 N•m). Do not over tighten.
After every 25 hours of operation	Clean and remove air cleaner foam. Wash with water and detergent. Dry thoroughly. Rub with oil and squeeze to distribute oil.
After first 50 hours of operation	Change pump break-in oil. Use SAE 20 or 30 non-detergent oil.
After every 100 hours of operation, or every 3 months	Clean or replace paper air cleaner cartridge. Tap gently to remove dirt. Change engine oil. Use SAE 30 or 10W-30 detergent oil. Re-torque exhaust manifold nuts to 20 ft-lb (27 N•m). Do not over tighten.
After every 500 hours of operation, or every 6 months	Change pump oil. Use SAE 20 or 30 non-detergent oil.

Troubleshooting



Relieve the pressure (see page 3) before you proceed with troubleshooting.

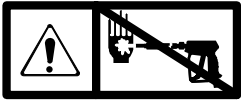
Problem	Cause	Solution
Engine will not start or is hard to start.	<p>No gasoline in fuel tank or carburetor</p> <p>Low oil</p> <p>Start/Stop switch in STOP position</p> <p>Water in gasoline or old fuel</p> <p>Engine flooded or improperly choked</p> <p>Dirty air cleaner filter</p> <p>Spark plug dirty, wrong gap, or wrong plug type</p> <p>Gun not triggered</p>	<p>Fill the tank with gasoline, open fuel shut off valve. Check fuel line and carburetor.</p> <p>Add to proper oil level.</p> <p>Move switch to START position.</p> <p>Drain fuel tank and carburetor. Use new fuel and dry spark plug.</p> <p>Open choke, and pull engine several times to clear out gas. Use a dry spark plug.</p> <p>Remove and clean.</p> <p>Clean, adjust the gap, or replace.</p> <p>Trigger gun while starting engine.</p>
Engine misses or lacks power.	<p>Partially plugged air cleaner filter</p> <p>Spark plug dirty, wrong gap, or wrong plug type</p>	<p>Remove and clean.</p> <p>Clean, adjust the spark plug gap or replace.</p>
Low pressure and/or pump runs rough.	<p>Worn or wrong size tip</p> <p>Inlet filter clogged</p> <p>Worn packings, abrasives in water, or natural wear</p> <p>Inadequate water supply</p> <p>Fouled or dirty inlet or discharge valves</p> <p>Restricted inlet</p> <p>Worn inlet or discharge valves</p> <p>Leaking high-pressure hose</p>	<p>Replace with tip of proper size.</p> <p>Clean. Check more frequently.</p> <p>Check filter. Replace packings. See Pump Service on pages 10 and 12.</p> <p>Check water flow rate to pump.</p> <p>Clean inlet and discharge valve assemblies. Check filter.</p> <p>Garden hose might be collapsed or kinked.</p> <p>Replace worn valves. See Pump Service on pages 10 and 12.</p> <p>Replace high-pressure hose.</p>
Water leaks from under pump manifold.	<p>Worn packings</p>	<p>Install new packings. See Pump Service on pages 10 and 12.</p>
Water on oil side of pump	<p>Humid air condensing inside crankcase</p> <p>Worn packings</p> <p>Oil seals leaking</p>	<p>Change oil as specified in Maintenance, page 6.</p> <p>Install new packings. See Pump Service on pages 10 and 12.</p> <p>Install new oil seals. See Pump Service on pages 10 and 12.</p>

Troubleshooting

Problem	Cause	Solution
Frequent or premature failure of packings	<p>Scored, damaged, or worn plungers.</p> <p>Abrasive material in the fluid being pumped.</p> <p>Inlet water temperature too high</p> <p>Overpressurized pump</p> <p>Excessive pressure due to partially plugged or damaged tip</p> <p>Pump running too long without spraying</p> <p>Running pump dry</p>	<p>Install new plungers. See Pump Service on pages 10 and 12.</p> <p>Install proper filtration on pump inlet plumbing.</p> <p>Check water temperature. It should not exceed 160°F (70°C).</p> <p>Do not modify any factory-set adjustments. See Equipment Misuse Hazard on page 2.</p> <p>Clean or replace tip. See Installing and Changing Spray Tips on page 5.</p> <p>Never run pump more than 10 minutes without spraying.</p> <p>Do not run pump without water.</p>
Strong surging at inlet, and low pressure on discharge side	Foreign particles in the inlet or discharge valve, or worn inlet and/or discharge valves	Clean or replace valves. See Pump Service on pages 10 and 12.

Pump Service: 2030 Pressure Washer

Repair kits are available. See the individual repair sections, the Parts Lists on pages 15 and 17, and **Pump Repair Kits** on page 18. For the best results, use all parts in the kits.



Relieve the pressure
(see page 3) before you proceed with service.

NOTES:

- The following metric wrenches are needed: 5 mm, 13 mm, and 22 mm.
- There is a tool kit to aid in servicing the pump. Tool Kit 800271 includes tools to aid in removing packing retainers.

Valves

NOTE: For a set of six valves, order Valve Assembly Kit 801472.

1. Remove the hex plug from the manifold using a 22 mm socket.
2. Examine the O-ring under the hex plug, and replace if cut or distorted.
3. Remove the valve assembly from the cavity; the assembly might come apart.
4. Install the new valve. Install the O-ring and hex plug; torque to 33 ft-lb (45 N•m).

NOTE: Retorque the plug after 5 hours of operation.

Pumping Section

1. Remove the eight capscrews and lockwashers from the manifold using a 5 mm wrench.
2. Carefully separate the manifold from the crankcase.

NOTE: You might have to tap the manifold lightly with a soft mallet to loosen it.

⚠ CAUTION

To avoid damage to the plunger or seals, keep the manifold properly aligned with the ceramic plungers when you remove it.

3. Carefully examine each plunger for any scoring or cracking, and replace as necessary.

Servicing the Plungers

NOTE: Plunger Repair Kit (page 18) is available to replace retainers, O-rings, washers, and backup rings for three cylinders.

1. Loosen the plunger retaining nut five to six turns using a 13 mm wrench. Push the plunger towards the crankcase to separate the plunger and retaining screw.
2. Remove the nut from the plunger, and examine the O-ring, backup ring, and copper bearing/gasket washer. Replace these parts if necessary using Plunger Assembly Kit 801474.
3. Remove the plunger and flinger from the plunger shaft. Clean, examine, and replace parts as necessary.
4. Inspect the plunger shaft for oil leakage from the crankcase. If leaking is obvious, replace the oil seals. Otherwise, DO NOT remove these seals, because they cannot be reused. Oil Seal Kits are available for replacing the seals. See **Pump Repair Kits** on page 18.
5. Lightly grease the flinger and oil seal if it is being replaced, and replace them on the plunger shaft. Then install the plunger.

Pump Service: 2030 Pressure Washer

6. Lightly grease the retaining screw and the outer end of the plunger. Place the washer, O-ring, and backup ring around the screw, and install the nut through the plunger. Torque to 11 ft-lb (15 N•m).

NOTE: If you plan to replace the packings, see **Servicing the V-Packings** at right.

7. Lubricate the outside of each plunger. Slide the manifold onto the crankcase, being careful not to damage the seals.
8. Install the capscrews and washers finger tight. Torque the screws to 8.8 ft-lb (12 N•m) following the tightening pattern (Fig. 3). Uneven tightening could cause the manifold to bind or jam.

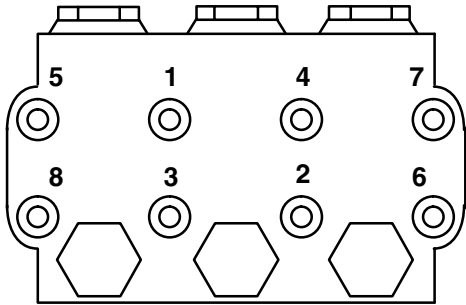


Fig. 3

Servicing the V-Packings

NOTE: There are two types of packing kits: One is packings only. The other includes the packings, rings, and retainers.

1. Remove the manifold as outlined in **Pumping Section** on page 10.
2. Carefully pull the packing retainer from the manifold. Examine the O-ring, and replace if cut or damaged.
3. Remove the V-packing and head ring. Pull out the intermediate retainer ring. Remove the second V-packing and second head ring.
4. Inspect all parts and replace as necessary.
5. Thoroughly clean the packing cavities, and examine for debris or damage.
6. Lightly grease the packing cavities, and replace the packings in the following order: head ring, V-packing, intermediate ring, head ring, V-packing, packing retainer. Install the O-ring in the retainer groove.

CAUTION

Install the parts in the proper order and facing the correct direction. Improperly installed parts will cause a malfunction.

7. Reassemble the manifold as instructed in **Servicing the Plungers** on page 10.

Pump Service: 2835, 3040, & 3340 Pressure Washers

Repair kits are available. See the individual repair sections, the Parts Lists on pages 15 and 17, and **Pump Repair Kits** on page 18. For the best results, use all parts in the kits.



Relieve the pressure
(see page 3) before you proceed with service.

NOTES:

- The following metric wrenches are needed: 6 mm, 13 mm, and 27 mm.
- There is a tool kit to aid in servicing the pump. Tool Kit 800271 includes tools to aid in removing packing retainers.

Valves

NOTE: For a set of six valves, order Valve Assembly Kit 801472.

1. Remove the hex plug from the manifold using a 27 mm socket.
2. Examine the O-ring under the hex plug, and replace if cut or distorted.
3. Remove the valve assembly from the cavity; the assembly might come apart.
4. Install the new valve. Install the O-ring and hex plug. Torque hex plug to 73 ft-lb (99 N•m).

NOTE: Retorque the plug after 5 hours of operation.

Pumping Section

1. Remove the eight capscrews and lockwashers from the manifold using a 6 mm wrench.
2. Carefully separate the manifold from the crankcase.

NOTE: You might have to tap the manifold lightly with a soft mallet to loosen it.

CAUTION

To avoid damage to the plunger or seals, keep the manifold properly aligned with the ceramic plungers when you remove it.

3. Carefully examine each plunger for any scoring or cracking, and replace as necessary.

Servicing the Plungers

NOTE: Plunger Repair Kit (page 18) is available to replace retainers, O-rings, washers, and backup rings for three cylinders.

1. Loosen the plunger retaining nut five to six turns using a 13 mm wrench. Push the plunger towards the crankcase to separate the plunger and retaining screw.
2. Remove the nut from the plunger. and examine the O-ring, backup ring, and copper bearing/gasket washer. Replace these parts if necessary using Plunger Assembly Kit 801474.
3. Remove the plunger and flinger from the plunger shaft. Clean, examine, and replace parts as necessary.
4. Inspect the plunger shaft for oil leakage from the crankcase. If leaking is obvious, replace the oil seals. Otherwise, DO NOT remove these seals, because they cannot be reused. Oil Seal Kits are available for replacing the seals. See **Pump Repair Kits** on page 18.
5. Lightly grease the flinger and oil seal if it is being replaced, and replace them on the plunger shaft. Then install the plunger.

Pump Service: 2835, 3040, & 3340 Pressure Washers

6. Lightly grease the retaining screw and the outer end of the plunger. Place the washer, O-ring, and backup ring around the screw, and install the nut through the plunger. Torque to 14.4 ft-lb (19.5 N•m).

NOTE: If you plan to replace the packings, see **Servicing the V-Packings** at right.

7. Lubricate the outside of each plunger. Slide the manifold onto the crankcase, being careful not to damage the seals.
8. Install the capscrews and washers finger tight. Torque the screws to 22 ft-lb (30 N•m) following the tightening pattern (Fig. 4). Uneven tightening could cause the manifold to bind or jam.

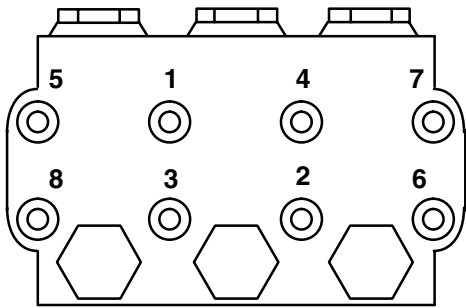


Fig. 4

Servicing the V-Packings

NOTE: There are two types of packing kits: One is packings only. The other includes the packings, rings, and retainers.

1. Remove the manifold as outlined in **Pumping Section** on page 12.
2. Carefully pull the packing retainer from the manifold. Examine the O-ring, and replace if cut or damaged.
3. Remove the V-packing and head ring. Pull out the intermediate retainer ring. Remove the second V-packing and second head ring.
4. Inspect all parts and replace as necessary.
5. Thoroughly clean the packing cavities, and examine for debris or damage.
6. Lightly grease the packing cavities, and replace the packings in the following order: head ring, V-packing, intermediate ring, head ring, V-packing, packing retainer. Install the O-ring in the retainer groove.

⚠ CAUTION

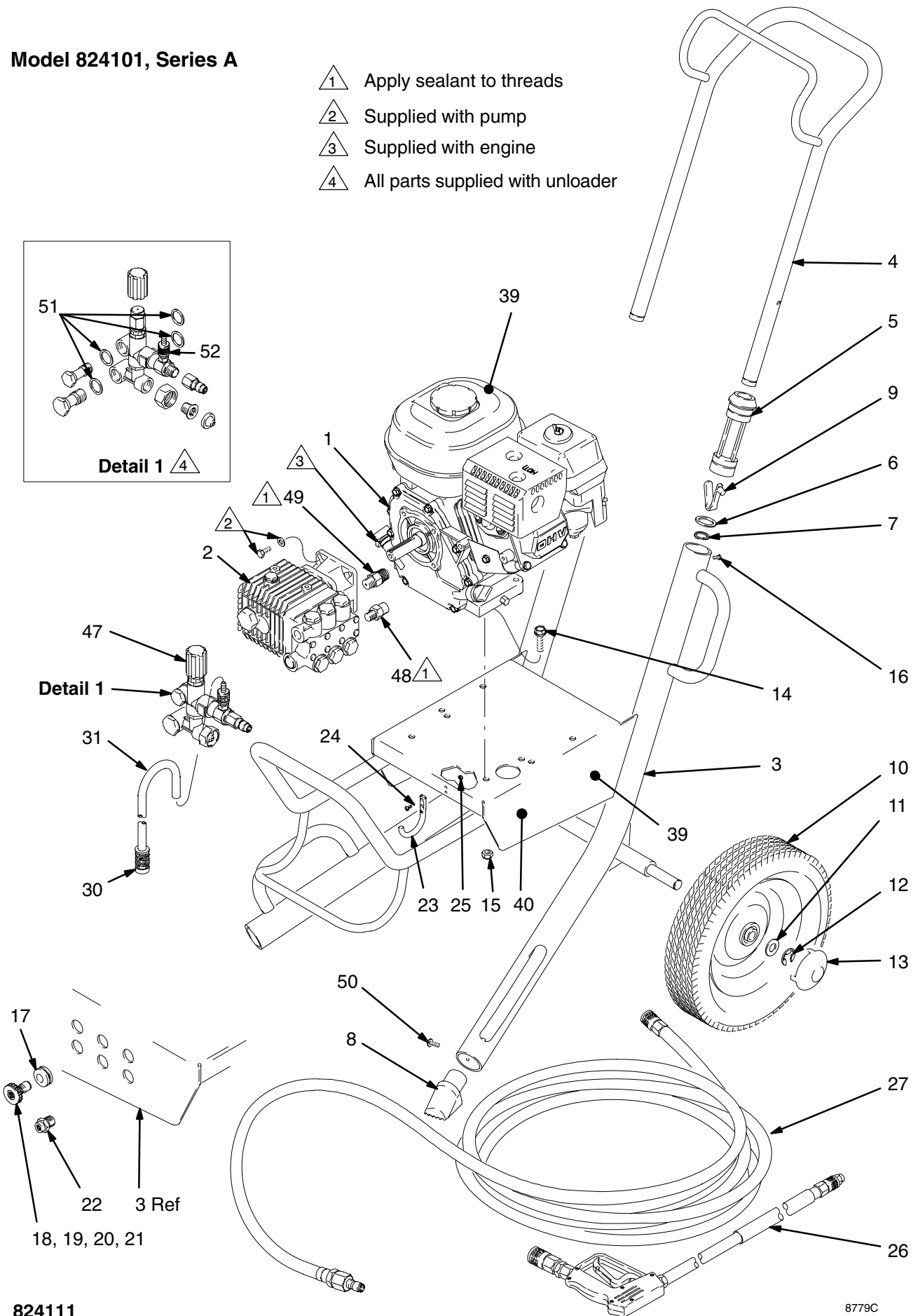
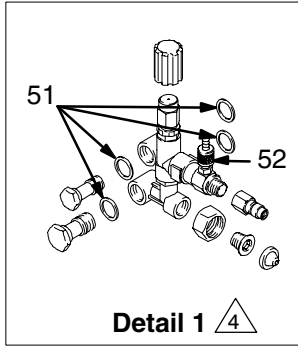
Install the parts in the proper order and facing the correct direction. Improperly installed parts will cause a malfunction.

7. Reassemble the manifold as instructed in **Servicing the Plungers** on page 12.

Parts: 2030 Pressure Washer

Model 824101, Series A

- △ 1 Apply sealant to threads
- △ 2 Supplied with pump
- △ 3 Supplied with engine
- △ 4 All parts supplied with unloader



Parts: 2030 Pressure Washer

USE ONLY GENUINE GRACO PARTS AND ACCESSORIES

Model 824101, Series A


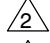
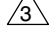
Ref. No.	Part No.	Description	Qty.	Ref. No.	Part No.	Description	Qty.
1	802264	ENGINE, 5.5 hp	1	22	805520	TIP, spray, chemical injector; black	1
2	804531	PUMP ASSEMBLY	1	23	114801	HOOK, pail	1
3	240998	FRAME, cart	1	24	112380	SCREW, mach, fil hd, 1/2 in.	2
4	239998	HANDLE, cart	1	25	109466	LOCKNUT	2
5	191084	SLEEVE, cart	2	26	804381	GUN & WAND ASSEMBLY	1
6	183350	WASHER	2	27	804592	HOSE, high pressure 3/8 x 50 ft	1
7	110243	RING, retaining	2	30	801683	STRAINER, chemical	1
8	115481	FOOT, cart	2	31	194188	TUBING, chemical	1
9	112827	BUTTON, snap	2	39▲	290013	LABEL, Danger	1
10	179811	WHEEL, semi-pneumatic	2	40▲	290131	LABEL, Warning	1
11	154636	WASHER	2	46	190781	TUBE, polyethylene	1
12	101242	RING, retaining. ext	2	47	804543	KIT, unloader/injector	1
13	104811	CAP, hub	2	48	800742	VALVE, thermal relief	1
14	110837	SCREW, flange, hex hd, 5/16 in.	4	49	804542	VALVE, relief	1
15	111040	NUT, lock, nylock 5/16-18 in.	4	50	115496	SCREW, thread forming, pnhd	2
16	108795	SCREW, mach, pan hd	4	51	804570	GASKET, steel	4
17	801012	GROMMET, rubber	6	52	244350	KIT, repair, chemical, injector	1
18	805543	TIP, spray, Q-type; 0° blaster (red), 0004	1	▲ <i>Extra Danger and Warning labels are available free of charge.</i>			
19	805544	TIP, spray, Q-type; 15° (yellow), 1504	1				
20	805545	TIP, spray, Q-type; 25° (green), 2504	1				
21	805546	TIP, spray, Q-type; 40° (white), 4004	1				

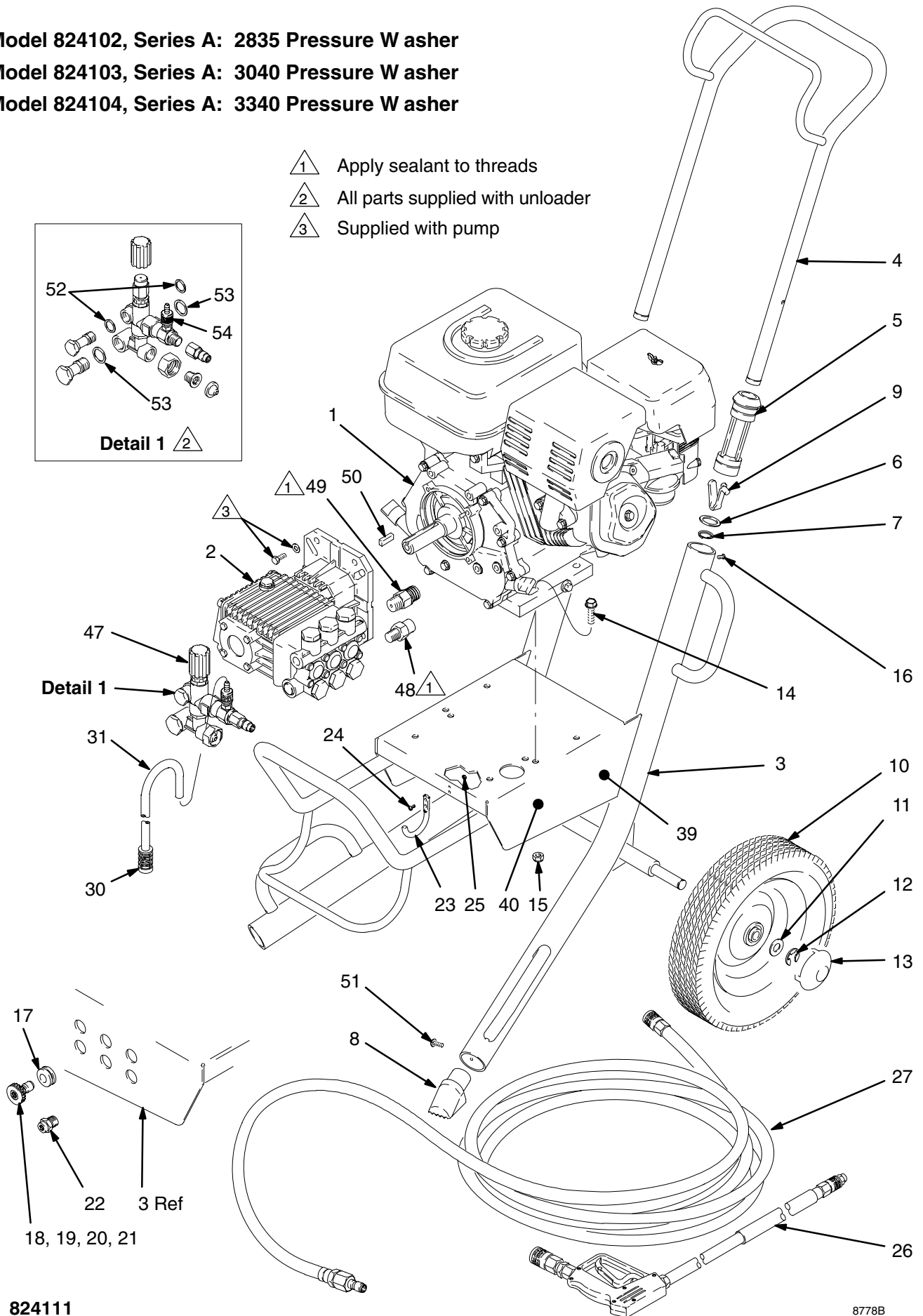
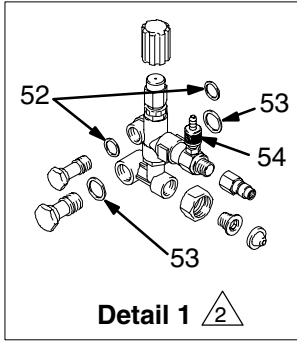
Parts: 2835, 3040, & 3340 Pressure Washers

Model 824102, Series A: 2835 Pressure Washer

Model 824103, Series A: 3040 Pressure Washer

Model 824104, Series A: 3340 Pressure Washer

-  1 Apply sealant to threads
-  2 All parts supplied with unloader
-  3 Supplied with pump



Parts: 2835, 3040, & 3340 Pressure Washers

USE ONLY GENUINE GRACO PARTS AND ACCESSORIES

Model 824102, Series A: 2835 Pressure Washer

Model 824103, Series A: 3040 Pressure Washer

Model 824104, Series A: 3340 Pressure Washer

Ref. No.	Part No.	Description	Qty.	Ref. No.	Part No.	Description	Qty.
1		ENGINE	1	22	805520	TIP, spray, chemical injector; black	1
	803900	Model 824102, 9 hp	1	23	114801	HOOK, pail	1
	803158	Model 824103, 11 hp	1	24	112380	SCREW, mach, fil hd, 1/2 in.	2
	114703	Model 824104, 13 hp	1	25	109466	LOCKNUT	2
2		PUMP ASSEMBLY	1	26	804381	GUN & WAND ASSEMBLY	1
	804559	Model 824102, 2835	1	27		HOSE, high pressure 3/8 x 50 ft	
	804503	Model 824103, 3040	1		804592	Model 824102	1
	114707	Model 824104, 3340	1		800747	Models 824103 & 824104	1
3	240998	FRAME, cart	1	30	801683	STRAINER, chemical	1
4	239998	HANDLE, cart	1	31	194188	TUBING, chemical	1
5	191084	SLEEVE, cart	2	39▲	290013	LABEL, Danger	1
6	183350	WASHER	2	40▲	290131	LABEL, Warning	1
7	110243	RING, retaining	2	46	190781	TUBE, polyethylene	1
8	115481	FOOT, cart	2	47		KIT, unloader/injector	1
9	112827	BUTTON, snap	2		804567	Model 824102, 9 hp	1
10	179811	WHEEL, semi-pneumatic	2		804528	Model 824103, 11 hp	1
11	154636	WASHER	2		114706	Model 824104, 13 hp	1
12	101242	RING, retaining. ext	2	48	804397	VALVE, thermal relief	1
13	104811	CAP, hub	2	49		VALVE, relief	1
14	110837	SCREW, flange, hex hd, 5/16 in.	4		804536	Model 824102, 9 hp	1
15	111040	NUT, lock, nylock 5/16-18 in.	4		804547	Model 824103, 11 hp	1
16	108795	SCREW, mach, pan hd	4		114705	Model 824104, 13 hp	1
17	801012	GROMMET, rubber	6	50	801137	KEY, square	1
18		TIP, spray, Q-type; 0° blaster (red)		51	115496	SCREW, thread forming, pnhd	2
	805543	Models 824102 & 824104 (0004)	1	52	804570	GASKET, steel	2
	805547	Model 824103 (00045)	1	53	804569	GASKET, steel	2
19		TIP, spray, Q-type; 15° (yellow)		54	244350	KIT, repair, chemical, injector	1
	805544	Models 824102 & 824104 (1504)	1				
	805548	Model 824103 (15045)	1				
20		TIP, spray, Q-type; 25° (green)					
	805545	Models 824102 & 824104 (2504)	1				
	805549	Model 824103 (25045)	1				
21		TIP, spray, Q-type; 40° (white)					
	805546	Models 824102 & 824104 (4504)	1				
	805550	Model 824103 (45045)	1				

▲ *Extra Danger and Warning labels are available free of charge.*

Accessories

Antifreeze Flush Kit 802327

For flushing system with 50% antifreeze solution prior to transporting or storing pressure washer in below-freezing temperatures.

Pump Repair Kits

Repair Kit			Description	Qty.	Entire Pump	One Cyl
Model 824101	Models 824102 and 824103	Model 824104				
804033 Oil Seal	801658 Oil Seal	801658 Oil Seal	SEAL, Oil	3	*	
801472 Valve Assembly	804402 Valve Assembly	804402 Valve Assembly	O-RING SEAT, Valve VALVE SPRING CAGE, Valve	6 6 6 6 6	*	
804034 Valve Cap	804403 Valve Cap	804403 Valve Cap	O-RING CAP	6 6	*	
804036 Packing Assembly	804404 Packing Assembly	114793 Packing Assembly	O-RING RETAINER, Packing RING, Intermediate PACKING PACKING RING, Head	1 1 1 2 2		*
801474 Plunger Assembly	243430 Plunger Assembly	241325 Plunger Assembly	WASHER O-RING BACK UP SCREWS, retaining FLINGER	3 3 3 3 3	*	
804011 Plunger	804415 Plunger	804415 Plunger	Plunger	1		*

* Designates whether kit contains parts for entire pump or for only one cylinder.

Technical Data

	Model 824101 (2030)	Model 824102 (2835)	Model 824103 (3040)	Model 824104 (3340)
Engine (4 cycle, air cooled)	5.5 HP Honda™ OHV	9 HP Honda OHV	11 HP Honda OHV	13 HP Honda OHV
Gasoline tank capacity	3.8 qt (3.6 L)	6.2 qt (6.1 L)	6.9 qt (6.5 L)	6.9 qt (6.5 L)
Water pump maximum working pressure	2400 psi (165 bar, 16.5 MPa)	3200 psi (221 bar, 22.1 MPa)	3400 psi (234 bar, 23.4 MPa)	3700 psi (255 bar, 25.5 MPa)
Water pump maximum flow	3 gpm (11 lpm)	3.5 gpm (13 lpm)	4 gpm (15 lpm)	4 gpm (15 lpm)
Inlet hose connection	3/4-in. garden hose (f)	3/4-in. garden hose (f)	3/4-in. garden hose (f)	3/4-in. garden hose (f)
Weight (without gun and hose)	103 lb (47 kg)	142 lb (64 kg)	151 lb (69 kg)	151 lb (69 kg)
Dimensions				
Length	36.5 in. (927mm)	36.5 in. (927mm)	36.5 in. (927mm)	36.5 in. (927mm)
Width	22.0 in. (533mm)	22.0 in. (533mm)	22.0 in. (533mm)	22.0 in. (533mm)
Height	31.5 in. (788mm)	31.5 in. (788mm)	32.5 in. (813mm)	32.5 in. (813mm)
Maximum inlet water temperature	160°F (70°C)	160°F (70°C)	160°F (70°C)	160°F (70°C)
Sound data (measured per ISO 3744)				
Sound power level	93.1 dB(A)	94.3 dB(A)	95.8 dB(A)	97.4 dB(A)
Sound pressure level	103.5 dB(A)	104.7 dB(A)	106.3 dB(A)	111.6 dB(A)
Wetted parts				
High-pressure hose	Acrylonitrile and Buna-N cover and tube			
Bypass hose	Synthetic yarn and EPDM			
Pressure washer (including fittings)	Anodized aluminum, aluminum or bronze alloys, brass copper, Nylon-PTFE® composite, ceramic, buna-N, cotton phenolic, 303, 304, and 316 stainless steel, Polyamide-12 thermoplastic, PTFE®, carbon steel, zinc with or without yellow chromate plate			

PTFE®

Honda™ is a trademark of the Honda Corporation.

Sherwin-Williams Standard Warranty

Graco warrants all equipment referenced in this document which is manufactured by Graco and bearing its name to be free from defects in material and workmanship on the date of sale by an authorized Graco distributor to the original purchaser for use. With the exception of any special, extended, or limited warranty published by Graco, Graco will, for a period of twelve months from the date of sale, repair or replace any part of the equipment determined by Graco to be defective. This warranty applies only when the equipment is installed, operated and maintained in accordance with Graco's written recommendations.

This warranty does not cover, and Graco shall not be liable for general wear and tear, or any malfunction, damage or wear caused by faulty installation, misapplication, abrasion, corrosion, inadequate or improper maintenance, negligence, accident, tampering, or substitution of non-Graco component parts. Nor shall Graco be liable for malfunction, damage or wear caused by the incompatibility of Graco equipment with structures, accessories, equipment or materials not supplied by Graco, or the improper design, manufacture, installation, operation or maintenance of structures, accessories, equipment or materials not supplied by Graco.

This warranty is conditioned upon the prepaid return of the equipment claimed to be defective to an authorized Graco distributor for verification of the claimed defect. If the claimed defect is verified, Graco will repair or replace free of charge any defective parts. The equipment will be returned to the original purchaser transportation prepaid. If inspection of the equipment does not disclose any defect in material or workmanship, repairs will be made at a reasonable charge, which charges may include the costs of parts, labor, and transportation.

THIS WARRANTY IS EXCLUSIVE, AND IS IN LIEU OF ANY OTHER WARRANTIES, EXPRESS OR IMPLIED, INCLUDING BUT NOT LIMITED TO WARRANTY OF MERCHANTABILITY OR WARRANTY OF FITNESS FOR A PARTICULAR PURPOSE.

Graco's sole obligation and buyer's sole remedy for any breach of warranty shall be as set forth above. The buyer agrees that no other remedy (including, but not limited to, incidental or consequential damages for lost profits, lost sales, injury to person or property, or any other incidental or consequential loss) shall be available. Any action for breach of warranty must be brought within two (2) years of the date of sale.

GRACO MAKES NO WARRANTY, AND DISCLAIMS ALL IMPLIED WARRANTIES OF MERCHANTABILITY AND FITNESS FOR A PARTICULAR PURPOSE, IN CONNECTION WITH ACCESSORIES, EQUIPMENT, MATERIALS OR COMPONENTS SOLD BUT NOT MANUFACTURED BY GRACO. These items sold, but not manufactured by Graco (such as electric motors, switches, hose, etc.), are subject to the warranty, if any, of their manufacturer. Graco will provide purchaser with reasonable assistance in making any claim for breach of these warranties.

In no event will Graco be liable for indirect, incidental, special or consequential damages resulting from Graco supplying equipment hereunder, or the furnishing, performance, or use of any products or other goods sold hereto, whether due to a breach of contract, breach of warranty, the negligence of Graco, or otherwise.

FOR GRACO CANADA CUSTOMERS

The parties acknowledge that they have required that the present document, as well as all documents, notices and legal proceedings entered into, given or instituted pursuant hereto or relating directly or indirectly hereto, be drawn up in English. Les parties reconnaissent avoir convenu que la rédaction du présent document sera en Anglais, ainsi que tous documents, avis et procédures judiciaires exécutés, donnés ou intentés à la suite de ou en rapport, directement ou indirectement, avec les procédures concernées.

ADDITIONAL WARRANTY COVERAGE

Graco does provide extended warranty and wear warranty for products described in the "Graco Contractor Equipment Warranty Program".

Phone Number

TO PLACE AN ORDER, contact your Graco distributor, or call this number to identify the distributor closest to you:
1-800-690-2894 Toll Free

All written and visual data contained in this document reflect the latest product information available at the time of publication. Graco reserves the right to make changes at any time without notice.

The SHERWIN-WILLIAMS COMPANY, 101 PROSPECT AVENUE, CLEVELAND, OHIO 44115

PRINTED IN U.S.A. 824111 12/1998, Revised 10/2000