

Miniature MeterFlo™ Pump Suction Tube Installation

406830A
ENG

Instructions for installing Suction Tube assembly to Miniature MeterFlo™ gear pump and motor.



Important Safety Instructions

Read all warnings and instructions in this manual.
Save these instructions.

2. Install suction tube assembly to gear pump and motor assembly. Hand tighten securely.

Part No: 564412, 564413, 564414, 564415

Suction Tube Assembly (A) Includes:

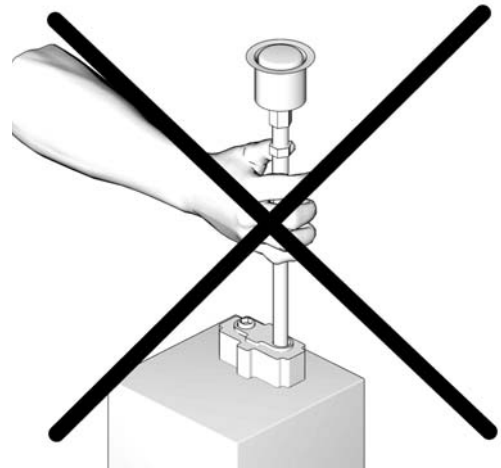
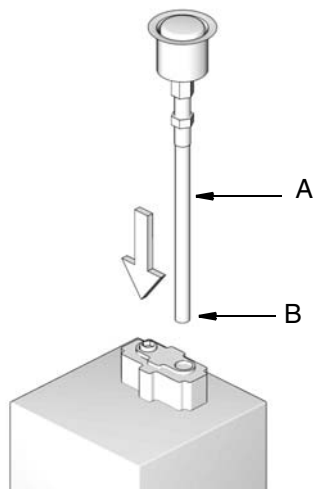
Description	Qty
1/8" Suction Tube	1
Filter Strainer	1
Fitting, 1/4" x 1/8 NPT	1

NOTICE

Do not handle the completed assembly by grasping the suction tube. Damage to gear pump housing could occur and suction tube could break off.

Instructions

1. Apply pipe sealant to threads (B) of suction tube assembly (A).



*All written and visual data contained in this document reflects the latest product information available at the time of publication.
Graco reserves the right to make changes at any time without notice.*

This manual contains English. MM 406830

Graco Headquarters: Minneapolis

International Offices: Belgium, China, Japan, Korea

GRACO INC. P.O. BOX 1441 MINNEAPOLIS, MN 55440-1441

Copyright 2009, Graco Inc. is registered to ISO 9001

www.graco.com

10/2009