



**OWNER'S MANUAL**  
**820-133**  
Rev D  
Supersedes C AND PCN D

1/4 GALLON PER MINUTE, 120 VAC, 60 HZ

# **SHERWIN-WILLIAMS PT2500®**

## **Electric Airless Paint Sprayer**

*3000 psi (210 bar) Maximum Working Pressure*

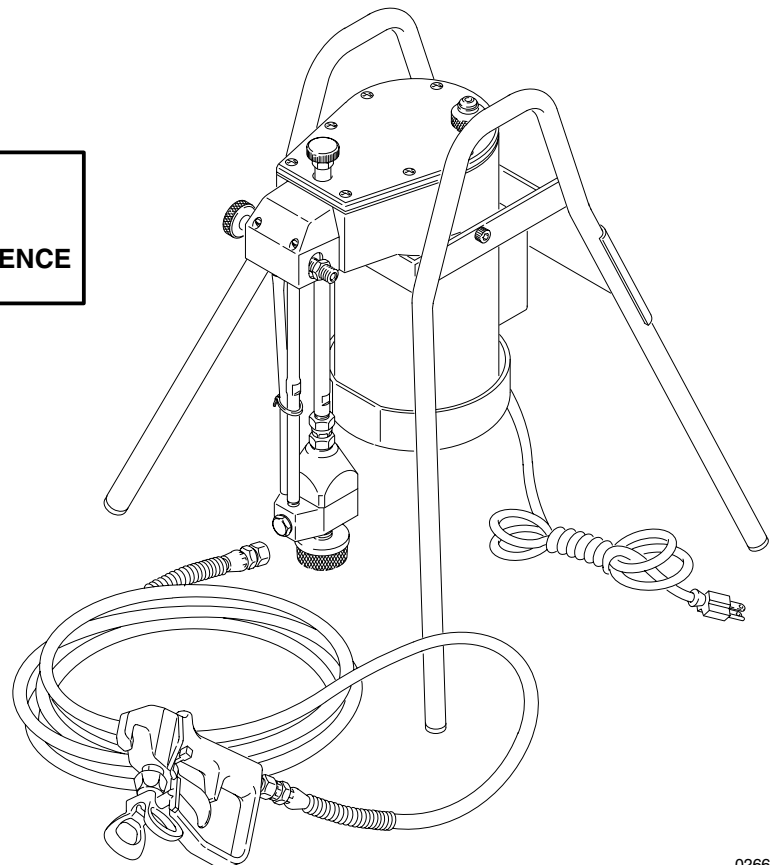
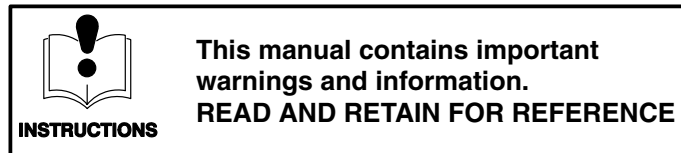
### **Model 820-113, Series C**

Complete Sprayer with hose and gun.

U.S. Patent No. 4,616,982

U.K. Patent No. 2,165,591

Other Foreign Patents Pending



0266

**The SHERWIN-WILLIAMS COMPANY, CLEVELAND, OHIO 44115**

©COPYRIGHT 1991, GRACO INC.

Before you use the SHERWIN WILLIAMS PT2500® Sprayer, please read this entire instruction manual. The manual contains important information that will help you operate the sprayer safely and efficiently, and will help you keep the sprayer in top operating condition.

## Table of Contents

Terms .....	2
PT2500 Sprayer Description .....	3
Warnings .....	4
Avertissement (French Warnings) .....	6
Advertencia (Spanish Warnings) .....	8
Setup .....	10
Startup .....	11
Maintenance .....	13
Application Methods .....	15
Troubleshooting .....	16
Repair Instructions .....	18
Parts Drawings and Lists .....	20
Graco Phone Numbers .....	Back Cover
Technical Data .....	Back Cover
Warranty .....	Back Cover

## Terms

Be sure you read and understand each of these terms before reading the rest of the manual.

**WARNING** Alerts the user to avoid or correct conditions which could cause injury.

**CAUTION** Alerts user to avoid or correct conditions which could damage or destroy the equipment.

**PRESSURE RELIEF PROCEDURE** A safety procedure for relieving fluid pressure in the system.

**FLUID INJECTION INJURY** A injury, which may appear to be only a simple cut, caused by the high pressure injection of fluid directly into the body.

**NOTE** Gives additional explanation of a procedure or helpful hints.

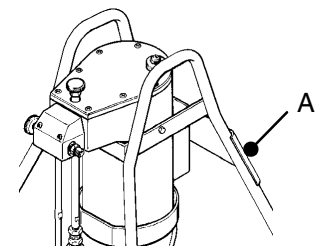
### CAUTION

A torque wrench is needed to properly check and tighten the valves and screws on this sprayer. Failure to torque these parts at the specified intervals (see page 13) will result in leaking and damage to the sprayer.

### Danger Labels

The DANGER label shown on below is also on your sprayer. If you have painters who do not read that language, order one of the following labels to apply to your sprayer. Apply the label at A for the best visibility. Order the labels directly from your Graco distributor without charge.

French	185-956
Spanish	185-961
German	186-041
Greek	186-045
Korean	186-049
English	185-953

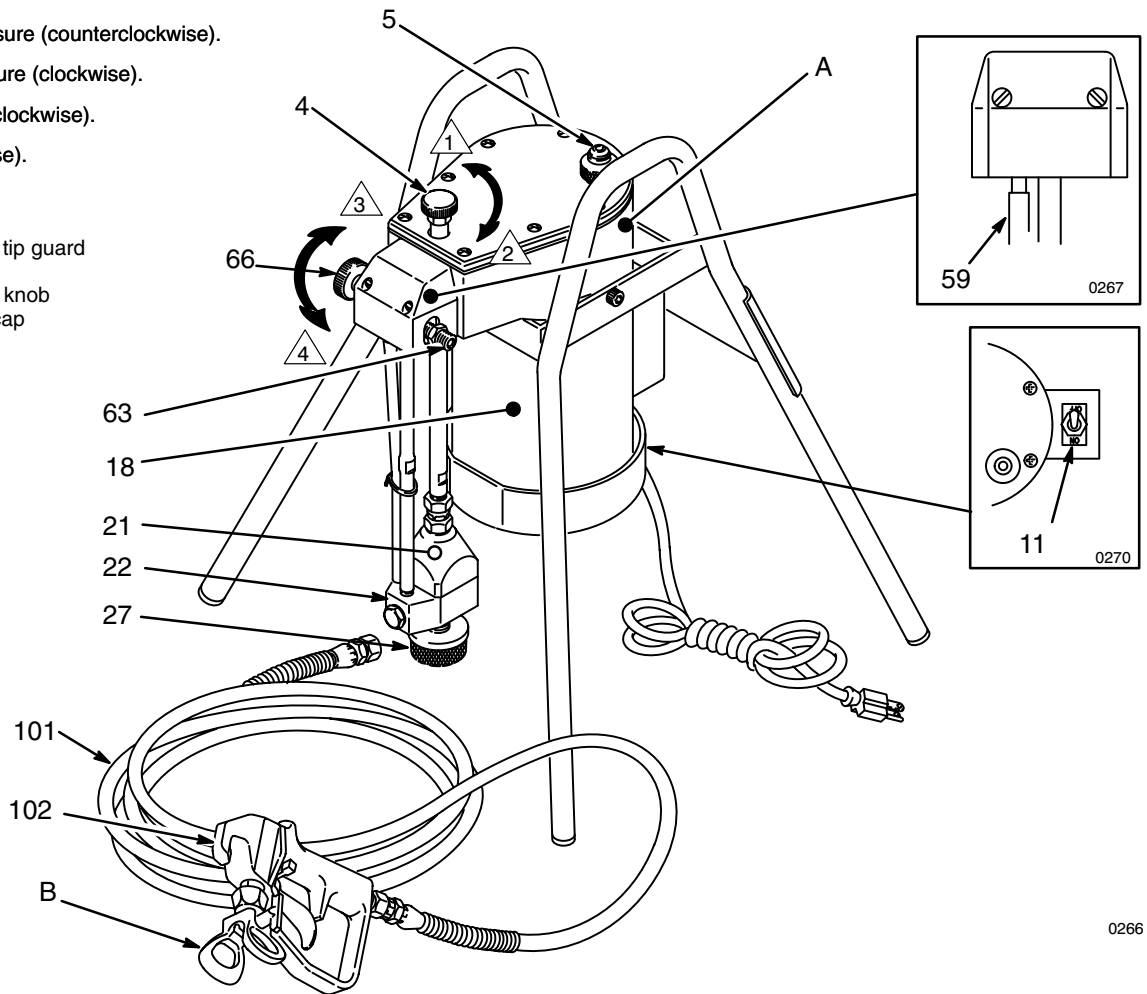


<b>! DANGER !</b>	
 <b>FIRE AND EXPLOSION HAZARD</b>	 <b>SKIN INJECTION HAZARD</b>
<p>Spray painting, flushing or cleaning equipment with flammable liquids in confined areas can result in fire or explosion.</p> <p>Use outdoors or in extremely well ventilated areas. Ground equipment, hoses, containers and objects being sprayed.</p> <p>Avoid all ignition sources such as static electricity from plastic drop cloths, open flames such as pilot lights, hot objects such as cigarettes, arcs from connecting or disconnecting power cords or turning light switches on and off.</p> <p>Failure to follow this warning can result in death or serious injury.</p>	<p>Liquids can be injected into the body by high pressure airless spray or leaks – especially hose leaks.</p> <p>Keep body clear of the nozzle. Never stop leaks with any part of the body. Drain all pressure before removing parts. Avoid accidental triggering of gun by always setting safety latch when not spraying.</p> <p>Never spray without a tip guard.</p> <p>In case of accidental skin injection, seek immediate “Surgical Treatment”.</p> <p>Failure to follow this warning can result in amputation or serious injury.</p>
<b>READ AND UNDERSTAND ALL LABELS AND INSTRUCTION MANUALS BEFORE USE</b>	

- △1 Decrease pressure (counterclockwise).
- △2 Increase pressure (clockwise).
- △3 Open (counterclockwise).
- △4 Close (clockwise).

**KEY**

- A Hydraulic pump
- B Rac IV DripLess tip guard and spray tip
- 4 Pressure control knob
- 5 Hydraulic oil fill cap
- 11 ON/OFF switch
- 18 Motor
- 21 Diaphragm
- 22 Paint pump
- 27 Strainer
- 59 Drain tube
- 66 Bypass valve
- 67 Outlet
- 101 Paint hose
- 102 Spray Gun



**Motor**

The SHERWIN-WILLIAMS PT2500 Sprayer has a 1/2 HP, 120 V, 60Hz AC, single phase, 1725 rpm motor (18). The motor is supplied with a three-wire power supply cord and a three-prong plug. The sprayer ON/OFF switch is located on the box on the side of the motor. The motor's function is to drive the hydraulic pump. The motor runs continuously when it is turned on to keep the paint at the desired pressure.

**Paint Pump**

The paint pump (22) is immersed directly into a 5 gallon paint pail, so the pump is actually being pressure fed without the mess and trouble of pouring paint into a hopper.

**Hydraulic Pump**

The hydraulic pump (A) is located inside the hydraulic reservoir. The motor drives an eccentric bearing which pushes the piston in and out of the hydraulic pump. The pump reciprocates the hydraulic fluid to operate the diaphragm.

**Diaphragm**

The diaphragm (21) separates the hydraulic and paint portions of the paint pump. Hydraulic oil causes the diaphragm to move up and down almost 30 times per second, no matter what pressure you are spraying at.

**Pressure Control Knob**

The paint pressure is regulated by turning the pressure control knob (4) **clockwise** to increase pressure and **counterclockwise** to decrease pressure.

**Bypass Valve**

The bypass valve (66) has two functions: (1) to assist in priming the paint pump during initial startup, and (2) to provide positive relief of paint pressure from the gun, hose and sprayer.

**Paint Hose**

One electrically conductive nylon paint hose (101) is supplied with the sprayer. This 7 m (25 ft.) hose has a 6 mm (1/4 in.) ID, 1/4 npsm(f) couplings and spring guards on both ends.

**Spray Gun, Reverse-A-Clean (RAC) IV Tip Guard and Spray Tip**

The spray gun (102) has a tough, lightweight plastic body. The gun has a trigger safety lever which prevents accidentally triggering the gun when the lever is set in the safe position. (See **WARNINGS**, page 4.)

The Reverse-A-Clean IV Tip Guard (B) uses high pressure fluid to unclog the spray tip without removing it from the gun. (See page 12.) The RAC IV includes a safety tip guard which helps reduce the risk of a fluid injection injury. A No. 413 spray tip for use with latex paint is also included.

# WARNINGS

**High Pressure Spray Can Cause Serious Injury. For Professional Use Only.**  
**Observe All Warnings. Read and understand all instruction manuals before operating equipment.**

## FLUID INJECTION HAZARD

### General Safety

This equipment generates very high fluid pressure. Spray from the gun, leaks or ruptured components can inject fluid through your skin and into your body, and cause extremely injury, including the need for amputation. Also, fluid injected or splashed into the eyes or on the skin can cause damage.

Never point the spray gun at any one or at any part of the body. Never put your hand or fingers over the spray tip. Never try to “blow back” paint; this is not an air spray system.

Always have the tip guard in place on the spray gun when spraying.

Always follow the **Pressure Relief Procedure**, below, before cleaning or removing the spray tip or servicing any system equipment.

NEVER try to stop or deflect leaks with your hand or body.

Be sure equipment safety devices are operating properly before each use.

### Medical Alert—Airless Spray Wounds

If any fluid appears to penetrate your skin, get **emergency medical care at once. Do not treat as a simple cut.** Tell the doctor exactly what fluid was injected.

**Note to Physician:** *Injection in the skin is a traumatic injury. It is important to treat the injury surgically as soon as possible.*

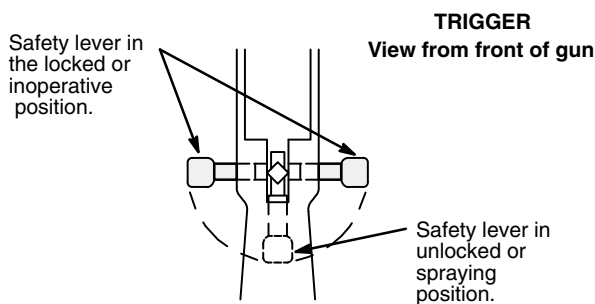
**Do not delay treatment to research toxicity.** *Toxicity is a concern with some exotic coatings injected directly into the blood stream. Consultation with a plastic surgeon or reconstructive hand surgeon may be advisable.*

### Spray Gun Safety Devices

Be sure all gun safety devices are operating properly before each use. Do not remove or modify any part of the gun; this can cause a malfunction and result in injury.

#### Safety Lever

Whenever you stop spraying, even for a moment, always lock the gun safety lever, making the gun inoperative. Failure to set the safety lever can result in accidental triggering. See the illustration below.



0268

#### Diffuser

The gun diffuser breaks up spray and reduces the risk of fluid injection when the tip is not installed. Check diffuser operation regularly. Follow the **Pressure Relief Procedure**, below, then remove the spray tip. Aim the gun into a metal pail, holding the gun firmly to the pail. Using the lowest possible pressure, trigger the gun. If the fluid emitted *is not* diffused into an irregular stream, replace the diffuser immediately.

#### Tip Guard

Always have the tip guard in place on the spray gun while spraying. The tip guard alerts you to the fluid injection hazard and helps reduce, but does not prevent, the risk of accidentally placing your fingers or any part of your body close to the spray tip.

#### Trigger Guard

Always have the trigger guard in place on the gun when spraying to reduce the risk of accidentally triggering the gun if it is dropped or bumped.

### Spray Tip Safety

Use extreme caution when cleaning or changing spray tips. If the spray tip clogs while spraying, lock the gun safety lever immediately. Always follow the **Pressure Relief Procedure**, below, and then remove the spray tip to clean it.

Never wipe off build-up around the spray tip until the pressure is fully relieved and the gun safety is locked.

### Pressure Relief Procedure

To reduce the risk of injury, including fluid injection, splashing fluid or solvent in the eyes or on the skin, or injury from moving parts or electric shock, always follow this procedure whenever you shut off the sprayer, when checking or servicing any part of the spray system, when installing, cleaning or changing spray tips, and whenever you stop spraying.

1. Shut off the sprayer and unplug it.
2. Hold a metal part of the gun firmly to the side of a grounded metal pail, and trigger the gun into the paint pail to relieve pressure.
3. Lock the gun safety lever.
4. Turn the bypass valve ONE turn **counterclockwise** to drain paint back into the pail.

*If you suspect that the spray tip or hose is completely clogged, or that pressure has not been fully relieved after following the steps above, very slowly loosen the part to relieve pressure gradually, then loosen completely. Now clear the tip or hose.*

---

## EQUIPMENT MISUSE HAZARD

---

### General Safety

Misuse of the spray equipment or accessories, such as over pressurizing, modifying parts, using incompatible chemicals and fluids, or using worn or damaged parts, can cause them to rupture and result in fluid injection, splashing in the eyes or the skin, or other injury, or fire, explosion or property damage.

Never alter or modify any part of this equipment; doing so could cause the equipment to malfunction.

Check all spray equipment regularly and repair or replace worn or damaged parts immediately.

Always wear protective eyewear, gloves, clothing and respirator as recommended by the fluid and solvent manufacturer.

### System Pressure

This sprayer can develop 3000 psi (210 bar) *Maximum Working Pressure*. Be sure all spray equipment and accessories used are rated to withstand the this pressure. Do not exceed the maximum working pressure of any component or accessory used in the system.

### Fluid and Solvent Compatibility

All chemicals used in the sprayer are chemically compatible with the wetted parts shown in the **Technical Data** on the back cover. Always read the chemical manufacturer's literature before using them in this sprayer.

---

## FIRE OR EXPLOSION HAZARD

---

Static electricity is created by the flow of fluid through the pump and hose. If every part of the spray equipment is not properly grounded, sparking may occur, and the system may become hazardous. Sparking may also occur when plugging in or unplugging a power supply cord or using a gasoline engine. Sparks can ignite fumes from solvents and the fluid being sprayed, dust particles and other flammable substances, whether you are spraying indoors or outdoors, and can cause a fire or explosion and injury and property damage.

If you experience any static sparking or even a slight shock while using this equipment, **stop spraying immediately**. Check the entire system for proper grounding. Do not use the system again until the problem has been identified and corrected.

### Grounding

To reduce the risk of static sparking, ground the sprayer and all other spray equipment used or located in the spray area. Check your local electrical code for detailed grounding instructions for your area and type of equipment. Be sure to ground all of this spray equipment:

1. *Sprayer*: plug the power supply cord, or extension cord, each equipped with an undamaged three-prong plug, into a properly grounded outlet. Do not use an adapter. All extensions cords must have three wires and be rated for 15 amps.

2. *Fluid hoses*: use only grounded hoses with a maximum of 500 ft (150 m) combined hose length to ensure grounding continuity. See **Hose Grounding Continuity** below.
3. *Spray gun*: obtain grounding through connection to a properly grounded fluid hose and sprayer.
4. *Object being sprayed*: according to local code.
5. *Fluid supply container*: according to local code.
6. *All solvent pails used when flushing*, according to local code. Use only metal pails, which are conductive. Do not place the pail on a non-conductive surface, such as paper or cardboard, which interrupts the grounding continuity.
7. *To maintain grounding continuity when flushing or relieving pressure*, always hold a metal part of the gun firmly to the side of a grounded metal pail, then trigger the gun.

### Flushing Safety

Reduce the risk of fluid injection injury, static sparking, or splashing by following the flushing procedure given on page 13 of this manual. Follow the **Pressure Relief Procedure** on page 4, and remove the spray tip before flushing. Hold a metal part of the gun firmly to the side of a grounded metal pail and use the lowest possible fluid pressure during flushing.

---

## HOSE SAFETY

---

High pressure fluid in the hoses can be very dangerous. If the hose develops a leak, split or rupture due to any kind of wear, damage or misuse, the high pressure spray emitted from a hose can cause a fluid injection injury or other injury or property damage.

**All fluid hoses must have strain reliefs on both ends!** The strain reliefs help protect the hose from kinks or bends at or close to the coupling which can result in hose rupture.

Tighten all fluid connections securely before each use. High pressure fluid can dislodge a loose coupling or allow high pressure spray to be emitted from the coupling.

Never use a damaged hose. Before each use, check the entire hose for cuts, leaks, abrasion, bulging cover, or damage or movement of the hose couplings. If any of these conditions exist, replace the hose immediately. Do not try to recouple high pressure hose or mend it with tape or any other device. A repaired hose cannot contain the high pressure fluid.

Handle and route hoses carefully. Do not pull on hoses to move equipment. Keep hoses clear of moving parts and hot surfaces of the pump and gas engine. Do not use fluids or solvents which are not compatible with the inner tube and cover of the hose. Do not expose Graco hoses to temperatures above 180° F (82° C) or below -40° F (-40° C).

### Hose Grounding Continuity

Proper hose grounding continuity is essential to maintaining a grounded spray system. Check the electrical resistance of your fluid hoses at least once a week. If your hose does not have a tag on it which specifies the maximum electrical resistance, contact the hose supplier or manufacturer for the maximum resistance limits. Use a resistance meter in the appropriate range for your hose to check the resistance. If the resistance exceeds the recommended limits, replace the hose immediately. An ungrounded or poorly grounded hose can make your system hazardous. Also read **FIRE OR EXPLOSION HAZARD**, above.

---

## IMPORTANT

---

United States Government safety standards have been adopted under the Occupational Safety and Health Act. These standards – particularly the General Standards, Part 1910, and the Construction Standards, Part 1926 – should be consulted.

# Avertissement

**La pulvérisation à haute pression peut causer des blessures très graves.  
Réservé exclusivement à l'usage professionnel. Observer toutes les consignes de sécurité.  
Bien lire et bien comprendre tous les manuels d'instructions avant d'utiliser le matériel.**

## RISQUES D'INJECTION

### Consignes générales de sécurité

Cet appareil produit un fluide à très haute pression. Le fluide pulvérisé par le pistolet ou le fluide sous pression provenant de fuites ou de ruptures peut pénétrer sous la peau ou à l'intérieur du corps et entraîner des blessures très graves, voir même une amputation. Même sans être sous pression, le fluide éclaboussant ou entrant dans les yeux peut aussi entraîner des blessures graves.

Ne jamais pointer le pistolet vers quelqu'un ou vers une partie quelconque du corps. Ne jamais mettre le main ou les doigts sur l'ajutage du pulvérisateur. Ne jamais essayer de "refouler" la peinture. Cet appareil N'est PAS un compresseur pneumatique.

Toujours garder la protection de l'ajutage en place sur le pistolet pendant la pulvérisation.

Toujours observer la **Marche à Suivre Pour Détendre la Pression** donnée plus loin, **avant** de nettoyer ou d'enlever l'ajutage du pulvérisateur, ou d'effectuer un travail quelconque sur une partie de l'appareil.

NE JAMAIS essayer d'arrêter ou de dévier les fuites avec la main ou le corps.

Avant chaque utilisation, bien s'assurer que les dispositifs de sécurité fonctionnent correctement.

### Soins médicaux

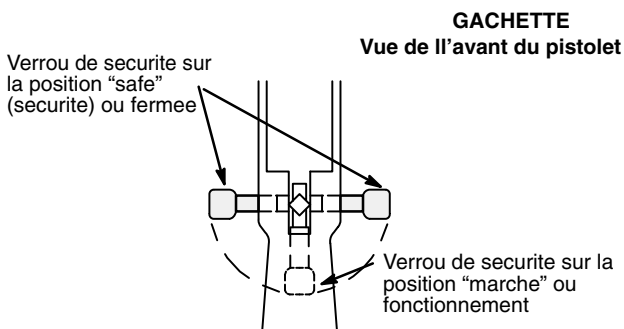
En cas de pénétration de fluide sous la peau: **Demander immédiatement des soins médicaux d'urgence.** Ne pas soigner cette blessure comme une simple coupure.

**Avis au médecin:** La pénétration des fluides sous la peau est un traumatisme. Il est important de traiter chirurgicalement cette blessure immédiatement. Ne pas retarder le traitement pour effectuer des recherches sur la toxicité. Certains revêtements exotiques sont dangereusement toxiques quand ils sont injectés directement dans le sang. Il est souhaitable de consulter un chirurgien esthétique ou un chirurgien spécialisé dans la reconstruction des mains.

### Dispositifs de sécurité du pistolet

Avant chaque utilisation, bien s'assurer que tous les dispositifs de sécurité du pistolet fonctionnent correctement. Ne pas enlever ni modifier une partie quelconque du pistolet; ceci risquerait d'entraîner un mauvais fonctionnement et des blessures graves.

#### Verrou de sécurité



0268

A chaque fois que l'on s'arrête de pulvériser, même s'il s'agit d'un court instant, toujours mettre le verrou de sécurité du pistolet sur la position, "fermée" ou "sécurité" ("safe"), pour empêcher le pistolet de fonctionner. Si le verrou de sécurité n'est pas mis, le pistolet peut se déclencher accidentellement.

Verrou de sécurité sur la position "safe" (sécurité) ou fermée. Verrou de sécurité sur la position "marche" ou fonctionnement.

#### Diffuseur

Le diffuseur du pistolet sert à diviser le jet et à réduire les risques d'injection accidentelle quand l'ajutage n'est pas en place. Vérifier le fonctionnement du diffuseur régulièrement. Pour cette vérification, détendre la pression en observant la **Marche à Suivre Pour Détendre la Pression** donnée plus loin enlever l'ajutage du pulvérisateur. Pointer le pistolet dans un seau en métal, en le maintenant fermement contre le seau, puis, en utilisant la pression la plus faible possible, appuyer sur la gâchette du pistolet. Si le fluide projeté n'est pas diffusé sous forme de jet irrégulier, remplacer immédiatement le diffuseur.

#### Protection de l'ajutage

Toujours maintenir la protection de l'ajutage en place sur le pistolet du pulvérisateur pendant la pulvérisation. La protection de l'ajutage attire l'attention sur les risques d'injection et contribue à réduire, mais n'évite pas le risque, que les doigts ou une partie quelconque du corps ne passent accidentellement à proximité immédiate de l'ajutage du pulvérisateur.

### Consignes de sécurité concernant l'ajutage du pulvérisateur

Faire extrêmement attention à l'occasion du nettoyage ou du remplacement des ajutages du pulvérisateur. Si l'ajutage se bouche pendant la pulvérisation, mettre immédiatement le verrou de sécurité du pistolet. Toujours bien observer la **Marche à Suivre Pour Détendre la Pression** puis enlever l'ajutage du pulvérisateur pour le nettoyer.

Ne jamais essayer ce qui s'est accumulé autour de l'ajutage du pulvérisateur avant que la pression ne soit complètement tombée et que le verrou de sécurité du pistolet ne soit engagé.

### Marche à suivre pour Détendre la Pression

Pour réduire les risques de blessures graves, y compris les blessures par projection de fluide ou celles causées par des éclaboussures dans les yeux ou sur la peau, par des pièces en mouvement, toujours bien observer cette marche à suivre chaque fois que l'on arrête le pulvérisateur, à l'occasion de la vérification, du réglage ou du nettoyage du système ou lors du changement des ajutages.

1. Arrêter le pulvérisateur et débrancher la prise de courant.
2. En maintenant une partie métallique du pistolet fermement appuyée le côté d'un seau en métal relié à la terre, appuyer sur la gâchette du pistolet pour libérer la pression.
3. Engager le verrou de sécurité de la pistolet.
4. Tourner le robinet de dérivation d'un tour dans la **sens contraire des aiguilles d'une montre** pour vidanger la peinture dans le seau.

Si l'on soupçonne que le tuyau ou l'ajutage est complètement bouché ou que la pression n'a pas été complètement libérée après avoir procédé aux opérations ci-dessus, desserrer très lentement l'écrou de retenue de la protection de l'ajutage ou le raccord de bout de tuyau et libérer progressivement la pression, puis terminer le desserrage. On peut maintenant déboucher l'ajutage ou le tuyau.

## RISQUES EN CAS DE MAUVAISE UTILISATION DU MATERIEL

### Consignes générales de sécurité

toute utilisation anormale de l'appareil du pulvérisation ou des accessoires comme, par exemple, la mise sous une pression excessive, les modifications de pièces, l'utilisation de produits chimiques et

de matières incompatibles et l'utilisation de pièces usées ou abîmées peut causer des dégâts à l'appareil ou des ruptures de pièces et entraîner une injection de liquide ou d'autres blessures sérieuses, un incendie, une explosion ou d'autres dégâts.

Ne jamais altérer ou modifier une pièce de cet appareil; ceci risquerait d'entraîner son mauvais fonctionnement.

Vérifier régulièrement tout l'appareil de pulvérisation et ses équipements et réparer ou remplacer immédiatement les pièces usées ou abîmées.

Toujours porter une protection pour les yeux, de gants, des vêtements protecteur et un dispositif pour la respiration correspondant aux recommandations des fabricants de fluides et solvants.

### Pression du système

Ce pulvérisateur peut produire une *Pression Maximum De*

## — MESURES DE SECURITE CONCERNANT LES TUYAUX FLEXIBLES —

Le fluide à haute pression circulant dans les tuyaux peut être très dangereux. En cas de fuite sur le tuyau, de fissure, déchirure ou rupture à la suite de l'usure, de dégâts ou d'une mauvaise utilisation, les projections de fluide haute pression qui en proviennent peuvent entraîner des blessures graves par pénétration sous la peau ou par contact, ainsi que des dégâts matériels.

**Tous les tuyaux flexibles doivent avoir des ressorts spirale de protection aux 2 bouts!** Les spirales de protection contribuent à éviter la formation de pliures, de boucles ou de nœuds sur les tuyaux qui pourraient entraîner la rupture du tuyau à l'endroit du raccord ou à son voisinage.

Serrer fermement tous les raccords avant chaque utilisation. Le fluide sous pression peut faire sauter un raccord desserré ou produire un jet à haute pression s'échappant par le raccord.

Ne jamais utiliser un tuyau endommagé. Avant chaque utilisation, vérifier entièrement chaque tuyau pour déceler les coupures, fuites, abrasions, boursouffures de l'enveloppe ou toute autre détérioration, il faut remplacer le tuyau immédiatement. Ne pas essayer de refaire le raccord d'un tuyau haute pression ni de réparer le tuyau avec du ruban

## — RISQUES D'INCENDIE OU D'EXPLOSION —

De l'électricité statique est produite par le passage du fluide à grande vitesse dans la pompe et dans les tuyaux. Si toutes les pièces de l'appareil de pulvérisation ne sont pas convenablement reliées ou à la masse ou à la terre, des étincelles peuvent se produire et l'appareil risque d'être dangereux. Des étincelles peuvent également se produire à l'occasion du branchement ou du débranchement du cordon d'alimentation ou de l'utilisation d'un moteur à essence. Les étincelles sont suffisantes pour allumer les vapeurs de solvants et le fluide pulvérisé, les fines particules de poussière ainsi que d'autres substances inflammables, quand on pulvérise à l'intérieur ou à l'extérieur, et elles peuvent causer un incendie ou une explosion, ainsi que des blessures graves et des dégâts matériels. Toujours brancher le pulvérisateur dans une prise se trouvant à moins 6 m (20 pieds) de l'appareil et de l'endroit où se fait la pulvérisation. Ne pas brancher ou débrancher un cordon d'alimentation quel qu'il soit dans la zone où se fait la pulvérisation quand il y a le moindre risque que des vapeurs encore présentes dans l'air prennent feu.

S'il se produit des étincelles d'électricité statique, ou si vous ressentez la moindre décharge, **arrêtez immédiatement la pulvérisation**. Vérifiez que le système avant que le problème soit identifié et corrigé.

### Mise à la terre ou à la masse

Pour réduire les risques de production d'étincelles d'électricité statique, le pulvérisateur et tous les équipements utilisés ou se trouvant dans la zone de pulvérisation doivent être reliés à la terre ou à la masse. Pour connaître le détail des instructions de mise à la terre dans la région et le type particulier d'équipement, **consulter** le code ou les réglementations électriques locales. **s'assurer** que tous les équipements de pulvérisation suivants sont bien reliés à la terre:

1. *Pulvérisateur*: Brancher le cordon d'alimentation ou la rallonge qui doivent être équipés d'une prise 3 fiches en

*Travail de 3000 lb/po.<sup>2</sup> (210 kg/cm<sup>2</sup>)*. S'assurer que tous les éléments du pulvérisateur et ses accessoires sont conçus pour résister à la pression maximum de travail de ce pulvérisateur. Ne pas dépasser la pression maximum de travail d'aucun des éléments ou accessoires utilisés avec cet appareil.

### Compatibilité chimique des corps

Bien s'assurer que tous les corps des solvants utilisés sont chimiquement compatibles avec les parties mouillées indiquées dans les "Données techniques", à la page 24. Toujours lire soigneusement les documents et brochures du fabricant des fluides et solvants utilisés avant de s'en servir dans ce pulvérisateur.

adhésif ou par tout autre moyen. Un tuyau réparé ne peut pas résister au fluide sous pression.

Manipuler les tuyaux avec précaution et choisir soigneusement leur chemin. Ne pas déplacer le fluide en tirant sur le tuyau. Ne pas utiliser de fluides ou de solvants que ne sont pas compatibles avec l'enveloppe intérieure ou extérieure de tuyau. Ne pas exposer le tuyau à fluides des températures supérieures à 82°C (180°F) ou inférieures à -40°C (-40°F).

### Continuité de la mise à la terre des tuyaux

Une bonne continuité de la mise à la terre des tuyaux est essentielle pour maintenir la mise à la terre de l'ensemble de vaporisation. Vérifiez la résistance électrique de vos tuyaux à fluides et à air, au moins une fois par semaine. Si votre tuyau ne comporte pas d'étiquette qui précise la résistance électrique maximum, prenez contact avec le fournisseur de tuyaux ou la fabricant pour avoir les limites de résistance maximum. Utilisez un mètre de résistance de la gamme appropriée pour votre tuyau et vérifiez la résistance. Si celle-ci dépasse les limites recommandées, remplacez le tuyau immédiatement. Un tuyau sans mise à la terre ou avec une mise à la terre incorrecte peut entraîner des risques pour votre système. Lisez aussi **LES RISQUES D'INCENDIE OU D'EXPLOSION**.

bon état, dans une prise de courant convenablement mise à la terre. Ne pas utiliser d'adaptateur. Toutes les rallonges doivent avoir 3 files et être prévues pour 15 ampères.

2. *Pistolet*: Réaliser la mise à la terre en le raccordant à un tuyau flexible et à un pulvérisateur déjà convenablement reliés à la terre.
3. *Tuyaux flexibles*: Afin d'assurer la continuité de la mise à la terre, n'utiliser que des tuyaux comportant une mise à la terre et ayant une longueur maximum combinée de 150 m (1500 pieds). Se reporter également au paragraphe, "**Continuité du circuit de mis à la terre des tuyaux**".
4. *Réceptacle d'alimentation*: observer le code ou les réglementations locales.
5. *Objets, matériel ou surfaces recevant la pulvérisation*: observer le code ou les réglementations locales.
6. *Tous les seaux de solvant* utilisés pour le rinçage: observer le code ou les réglementations locales. *N'utiliser que des seaux métallique* conducteurs de l'électricité. Ne pas mettre le seau sur une surface non conductrice comme sur du papier ou du carton car cela interromprait la continuité de la mise à la terre.
7. *Pour conserver la continuité de la mise à la terre quand on rincé le matériel ou quand on libère la pression*, toujours maintenir une partie métallique du pistolet fermement appuyée contre le côté d'un seau *en métal* puis appuyer sur la détente du pistolet.

### Mesures de Sécurité concernant le Rinçage

Pour réduire les risques de blessures par pénétration de la peau et les risques dus aux étincelles d'électricité statique ou aux éclaboussures, observez la marche à suivre pour le rinçage donnée à la page 13 de ce manuel. Observer la "**March à Suivre pour Détendre la Pression**" donnée à la page 6 en *enlever l'ajutage du pulvérisateur avant le rinçage*. Maintenir une partie métallique du pistolet fermement appuyée contre le côté d'un seau *en métal* relié à la terre et utiliser la pression la plus faible possible pendant le rinçage.

# ADVERTENCIA

EL ROCIADO a ALTA PRESIÓN PUEDE CAUSAR GRAVES LESIONES.  
SOLO PARA USO PROFESIONAL. RESPETE LOS AVISOS DE ADVERTENCIA.  
Lea y entienda todo el manual de instrucciones antes de manejar el equipo.

## PELIGRO DE INYECCION DE FLUIDO

### Seguridad general

Este equipo genera un fluido a una presión muy alta. El rociado de la pistola, los escapes de fluido o roturas de los componentes pueden inyectar fluido en la piel y el cuerpo y causar lesiones extremadamente graves, incluyendo a veces la necesidad de amputación. También, el fluido inyectado o salpicado en los ojos puede causar graves daños.

Nunca apuntar la pistola hacia alguien o alguna parte del cuerpo. Nunca colocar la mano o los dedos encima de la boquilla. Nunca tratar de "hacer retornar la pintura"; este no es un sistema de rociado de aire.

Siempre tener colocado el protector de la boquilla en la pistola mientras se está pulverizando.

Siempre seguir el **procedimiento de descarga de presión**, dado más abajo, *antes* de limpiar o sacar la boquilla o de dar servicio a cualquier del sistema.

Nunca tratar de parar o desviar los escapes con la mano o el cuerpo.

Asegurar que todos los aparatos de seguridad del equipo están funcionando bien antes de cada uso.

### Tratamiento médico

Si pareciera que un poco de fluido penetró la piel, conseguir **tratamiento médico de urgencia de inmediato. no tratar la herida como un simple corte.** Decir al médico exactamente cual fluido fue.

**Aviso al médico:** Si se llega a inyectar este fluido en la piel se causa una lesión traumática. **Es importante tratar quirúrgicamente la lesión a la brevedad posible. No demorar el tratamiento para investigar la toxicidad. La toxicidad es algo de suma importancia en algunas pinturas exóticas cuando se inyectan directamente al torrente sanguíneo. Será conveniente consultar a un especialista en cirugía plástica o reconstructiva de las manos.**

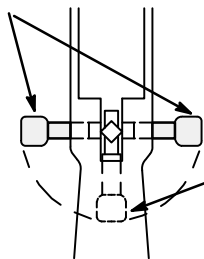
### Aparatos de seguridad de la pistola pulverizadora

Asegurar que todos los aparatos protectores de la pistola están funcionando bien antes de cada uso. No sacar ni modificar ninguna pieza de la pistola pues podría causar el malfuncionamiento de la misma con las consiguientes lesiones personales.

#### Pestillo de seguridad

Cada vez que se deje de pulverizar, aunque sea por un breve momento, siempre colocar el pestillo de seguridad en la posición "cerrada", lo que deja la pistola inoperante. El no hacerlo puede llevar al disparo imprevisto de la pistola. Ver la ilustración más abajo.

Pestillo de seguridad en la posición "cerrada" o inoperante.



Pestillo de seguridad en la posición "abierta" o rociando.

GATILLO

Visto desde el frente de la pistola

### Difusor

El difusor de la pistola dispersa el chorro pulverizado y reduce el riesgo de inyección cuando no está instalada la boquilla. Revisar con regularidad el funcionamiento del difusor. Seguir el **procedimiento de descarga de presión**, dado más abajo, y después sacar la boquilla. Apuntar la pistola a un balde metálico, sosteniéndola bien firme contra él. Utilizando la presión más bajo posible, disparar la pistola. Si el fluido emitido *no sale disperso* en un chorro irregular, reemplazar de inmediato el difusor.

### Protector de la boquilla

SIEMPRE tener el protector de la boquilla colocado en la pistola mientras se está pulverizando. Este protector llama la atención contra el peligro de inyección y ayuda a reducir, pero no evita, la colocación accidental de los dedos o cualquier otra parte del cuerpo cerca de la boquilla.

### Seguridad de la boquilla pulverizadora

Tener mucho cuidado al limpiar o cambiar las boquillas. Si llega a obstruirse mientras está pulverizando, enganchar el pestillo de la pistola de inmediato. Siempre seguir el **procedimiento de descarga de presión** y después sacar la boquilla para limpiarla.

Nunca limpiar la acumulación de pintura alrededor de la boquilla antes de que se haya descargado por completo la presión y el pestillo esté enganchedo.

### Procedimiento de descarga de presión

Para reducir el riesgo de sufrir graves lesiones corporales, incluyendo la inyección de fluidos, salpicaduras en los ojos o la piel, o lesiones causadas por piezas en movimiento, siempre seguir este procedimiento al apagar la máquina pulverizadora, al revisar, ajustar o limpiar el sistema, o al cambiar las boquillas, y cada vez que se deja de pulverizar.

1. Apagar la pulverizadora y desenchufarla.
2. Apoyar una parte metálica de la pistola firmemente contra un balde de metal puesto a tierra, y disparar la pistola dentro del balde para descargar la presión.
3. Enganchar el pestillo del gatillo de la pistola.
4. Darle UNA vuelta en sentido contra horario a la válvula de paso para vaciar la pintura de vuelta al balde.

*Si se sospecha que la boquilla o la manguera esté completamente obstruida, o que no se ha descargado por completo la presión después de haber seguido el procedimiento anterior, aflojar muy lentamente un adaptador de extremo de la manguera o la tuerca de renovación del protector de la punta y descargar gradualmente la presión, después aflojarlo por completo. Leugo, despejar la boquilla o la manguera.*

0268



## PELIGRO POR MAL USO DEL EQUIPO

### Seguridad general

Cualquier mal uso del equipo pulverizador o los accesorios, tal como sobre presurización, modificación de piezas, uso de materiales y productos químicos incompatibles, o utilización de piezas dañadas o desgastadas, pueden hacer que se rompan y causen la inyección de fluido u otras lesiones corporales graves, incendio, explosión o daños a la propiedad.

Siempre usar gafas, guantes, vestimentas protectoras y un respiradero, tal como recomiendan los fabricantes del fluido y del solvente.

### Presión del sistema

Esta pulverizadora puede desarrollar 3000 psi (210 barías) de

*Presión De Trabajo Máxima.* Asegurar que todo el equipo pulverizador y sus accesorios tienen la capacidad para aguantar la presión máxima de trabajo de ningún componente o accesorio de este sistema.

### Compatibilidad de fluido

Asegurar que todos los fluidos y solventes usados son químicamente compatibles con las piezas mojadas ilustradas en la hoja **Datos Técnicos**. Siempre leer las instrucciones del fabricante del fluido y solvente antes de usarlos en esta pulverizadora.

## PELIGRO DE INCENDIO O EXPLOSION

El flujo a alta velocidad del fluido al pasar por la bomba y manguera crea electricidad estática. Si todas las partes del equipo pulverizador no tienen buena tierra, pueden ocurrir chispas, convirtiéndose al sistema en algo peligroso. También, pueden producirse chispas al enchufar o desenchufar el cordón eléctrico o al usar un motor de gasolina. Estas chispas pueden inflamar los vapores de los solventes y el chorro de fluido pulverizado, partículas de polvo y otras sustancias inflamables, sea al aire libre o bajo techo, lo que podría causar una explosión o incendio y graves lesiones corporales y daños a la propiedad. Enchufar siempre la pulverizadora a un tomacorriente que se encuentre a por lo menos 6 m (20 pies) de la máquina y del área que se va a rociar. No enchufar o desenchufar ningún cordón eléctrico en el lugar donde se está rociando cuando todavía exista la posibilidad de que quenden vapores inflamables en el aire.

Si ocurre una chispa de electricidad estática o incluso un ligero choque eléctrico mientras se usa el equipo, **dejar de pulverizar de inmediato**. Revisar todo el sistema en busca de una tierra apropiada. No usar de nuevo el sistema hasta haber identificado y solucionado el problema.

### Puesta a tierra

Para reducir el riesgo de chispas estáticas, conectar a tierra la pulverizadora y todo el otro equipo de pulverizar que se use o se encuentre en el lugar que se va a rociar. Consultar el código eléctrico de la localidad para las instrucciones sobre las conexiones a tierra exigidas para la zona y tipo de equipo. Asegurar de conectar a tierra todo este equipo pulverizador:

1. *Pulverizadora:* enchufar el cordón eléctrico, o cable extensor, cada uno con un enchufe de tres patas en buen

estado, a un tomacorriente con puesta a tierra apropiado. No usar un adaptador. Todos los cables extensores tienen que tener tres hilos y una capacidad de 15 amperios.

2. *Mangueras para fluidos:* usar solamente mangueras con puesta a tierra de una longitud combinada de 150 m (500 pies), para asegurar buena continuidad a tierra. Referirse también al párrafo sobre **continuidad a tierra de la manguera**.
3. *Pistola:* hacer la puesta a tierra conectándola a una manguera de fluido y pulverizadora bien conectadas a tierra.
4. *Suministrar un recipiente:* de acuerdo al código local. Usar *solamente baldes de metal*, que sean conductivos. No colocar el balde en una superficie no conductiva, como papel o cartón, que interrumpe la continuidad a tierra.
5. *Objeto que se está rociando:* de conformidad con el código local.
6. *Todos los baldes de solvente* usados durante el lavado, de conformidad con el código local.
7. *Para mantener la continuidad a tierra durante el lavado o descarga de presión*, siempre apoyar una parte metálica de la pistola bien firme contra el costado de *balde de metal*, después apretar el gatillo.

### Seguridad durante el lavado

Para reducir el riesgo de que se inyecte o salpique fluido en la piel, o que ocurra una descarga de electricidad estática, siempre seguir las INSTRUCCIONES PARA EL LAVADO, dadas en la página 13. Seguir el **procedimiento de descarga de presión** en la página 8, y quitar la *boquilla de metal* y usar la presión más baja posible de fluido durante el lavado.

## SEGURIDAD EN EL USO DE LAS MANGUERAS

El fluido que escapa a alta presión por las mangueras puede ser muy peligroso. Si en la manguera se desarrolla un escape, una rotura o rajadura debido a cualquier tipo de desgaste, daño o maltrato, el chorro a alta presión emitido por allí puede causar una lesión por inyección u otras lesiones corporales graves o daños a la propiedad.

**¡Todas las mangueras para fluidos tienen que tener guardas de resorte en ambos extremos!** Estas protegen las mangueras contra dobleces o retorceduras en los acoplamientos o cerca de ellos, los que podrían traducirse en roturas de la manguera.

Antes de usarlas, apretar bien firmes todas las conexiones. El fluido a alta presión puede desalojar un acoplamiento suelto o dejar que por él escape un chorro a alta presión.

Nunca usar una manguera que está dañada. Siempre revisarla en busca de cortaduras, escapes, abrasión, cubierta abultada, o acoplamientos sueltos o dañados. Si llegara a encontrarse cualquiera de estas condiciones, reemplazar de inmediato la manguera. No intentar reacomodar una manguera de alta presión o enmendarla con cinta adhesiva u otro material similar. Una manguera que ha sido remendada no aguante el fluido al alta

presión.

Manejar y pasar cuidadosamente las mangueras. No tirar de las mangueras para mover el equipo. No usar fluidos o solventes que sean incompatibles con el tubo interno y la cubierta de la manguera. No exponer las mangueras a temperaturas sobre 82<sup>o</sup> C (180<sup>o</sup>F) o bajo -40<sup>o</sup>C (-40<sup>o</sup> F).

### Continuidad del circuito de puesta a tierra de la manguera

La continuidad del circuito de puesta a tierra apropiado es esencial para mantener conectado a tierra el sistema pulverizador. Es indispensable revisar la resistencia eléctrica máxima de las mangueras de aire y de fluido por lo menos una vez a la semana. Si la manguera no tiene una etiqueta en la cual se especifica la resistencia eléctrica máxima, ponerse en contacto con el proveedor o fabricante de la manguera para la información sobre los límites de resistencia. Usar un metro de resistencia en la gama apropiada para comprobar la resistencia; si excede los lites recomendados, reemplazarla de inmediato. Es muy arriesgado tener una manguera sin puesta a tierra o con la puesta a tierra en malas condiciones. Leer también la información sobre **RIESGO DE INCENDIO O EXPLOSION**, más arriba.

# Setup

1. **Prepare the paint according to the manufacturer's recommendations.**

*This is probably the most important step toward trouble-free spraying!*

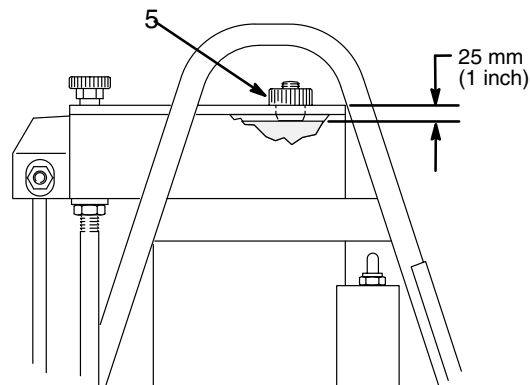
Remove any skin that may have formed on the top of the paint. If necessary, thin the paint. Finally, strain the paint through a fine nylon mesh bag (available at most paint dealers) to remove particles that could clog the spray tip.

2. **Install a spray tip and RAC IV tip guard** on the spray gun as instructed in manual 307–848.
3. **Connect the hose and gun.** Connect the other end of the hose to the sprayer.
4. **Check the hydraulic oil level.** Unscrew the fill cap (5). The oil should be 1 inch (25 mm) from the top of the plate. If the oil is low, fill as necessary with light-weight hydraulic oil; use only Graco Hydraulic Oil, Part No. 218–797. Install the fill cap. See Fig. 1.
5. **Check the electrical service** which must be 120V, 60 HzAc, 15 Amp (minimum). Be sure the electrical outlet is properly grounded.

You can use up to 100 foot (30 m) of 3 wire, 14 gauge (minimum) extension cord. Longer extension cords may affect the sprayer performance. Use more spray hose, not longer extension cords.

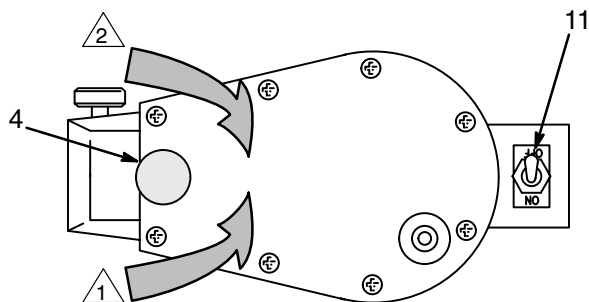
Do not remove the third (grounding) prong of the plug, and do not use an adapter.

6. **Plug in the sprayer** . First be sure the ON/OFF switch (11) is OFF and the pressure control (4) is turned fully **counterclockwise**. Plug the sprayer into a grounded outlet that is at least 20 foot (6 m) away from the spray area to reduce the chance of a spark igniting spray vapors or dust particles.



**Fig. 1** 0269

- 1 Decrease pressure (counterclockwise).
- 2 Increase pressure (clockwise).



**Fig. 2** 0270

# Startup

## CAUTION

The wallet sized warning card provided with the gun should be kept with the operator at all times. The card contains important information on reducing the risk of a fluid injection injury, and treatment information should an injection injury occur. Additional copies of this card are available at no cost.

## WARNING

### Pressure Relief Procedure

To reduce the risk of injury, including fluid injection, splashing in the eyes or on the skin, injury from moving parts, or electric shock, always follow this procedure whenever you shut off the sprayer, when checking or servicing any part of the spray system, when installing, cleaning or changing spray tips, and whenever you stop spraying.

1. Shut off the sprayer and unplug it.
2. Hold a metal part of the gun firmly to the side of a grounded metal pail, and trigger the gun into the pail to relieve pressure.
3. Lock the trigger safety lever.
4. Turn the bypass valve **counterclockwise** one turn to drain paint back into the pail.

*If you suspect that the spray tip or hose is completely clogged, or that pressure has not been fully relieved after following the steps above, very slowly loosen the tip guard retaining nut or hose end coupling and relieve pressure gradually, then loosen completely. Now clear the tip or hose obstruction.*

1. Open the bypass valve (66) ONE turn **counterclockwise**. Do not place the pump intake in the pail yet. See Fig. 3.
2. Turn the pressure control fully (4) **clockwise** to increase pressure. See Fig. 3.
3. Remove the inlet strainer (27) and place your hand over the inlet valve to be sure it is drawing a vacuum.

**NOTE:** If the inlet valve (26) is not drawing a vacuum, turn the sprayer OFF. Turn the sprayer over. Press down on the stem (A) inside the inlet valve lightly with a small screwdriver, and pour about a teaspoon of mineral spirits or solvent into the valve. See Fig. 4. Release the valve and turn the sprayer upright. With the pressure turned up, turn on the sprayer. This should free any sticking parts in the pump. Now check again for a vacuum. Shut off the sprayer and install the inlet strainer (27).

4. Place the paint pump assembly into a properly prepared 5 gallon pail of paint.
5. Turn the sprayer ON and allow the paint to circulate through the bypass valve (4) for one or two minutes.

**NOTE:** If the paint does not circulate back into the pail, turn down the pressure and turn the motor on and off several times to help prime the sprayer.

6. Turn the bypass valve (66) **clockwise** (finger tight) to close it; this allows the pump to build up pressure.

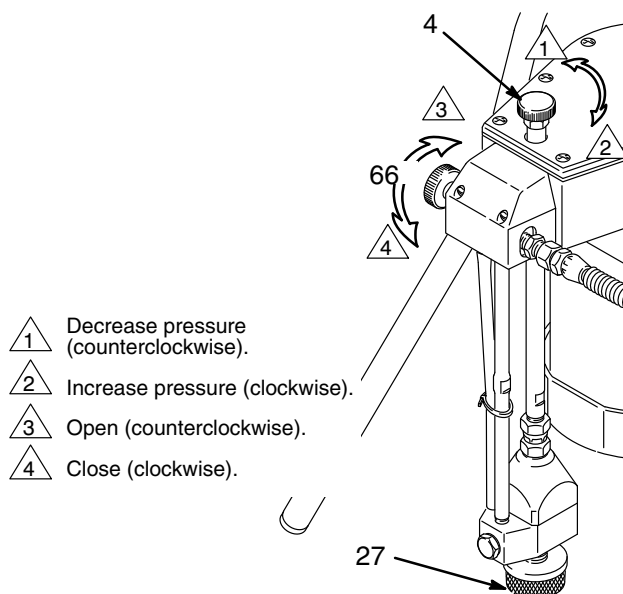


Fig. 3

0271

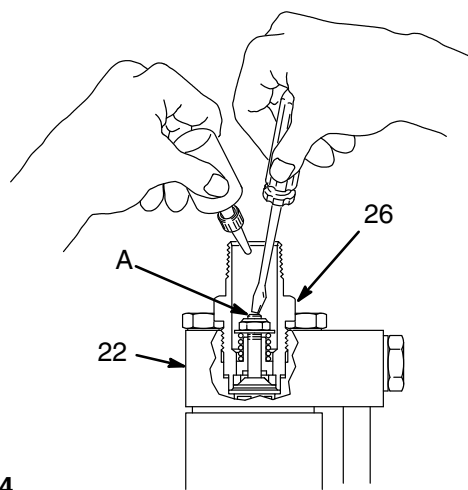


Fig. 4

0272

**startup procedure continued on page 12**

# Startup

- Release the trigger safety lever and trigger the gun onto a piece of paper to check the spray pattern. Adjust the pressure setting to obtain the best atomization and spray pattern. **Always use the lowest pressure necessary**. Excessive pressure cause premature tip wear and pump wear.

**NOTE:** If you cannot obtain a good spray pattern or adequate atomization, your paint may be too thick. Thin the paint according to the manufacturer's recommendations until you can get good atomization.

- Whenever you stop spraying, even for a moment, always set the trigger safety lever to prevent accidentally trigger the gun.
- Whenever you stop spraying for more than a moment, or if you must leave the sprayer unattended, shut it off and follow the **Pressure Relief Procedure** on page 11.

**NOTE:** The sprayer will not restart if it was left pressurized after shutting the sprayer off. Relieve the pressure, then start the sprayer.

- Lubricate the threads.
- Torque to 170–200 in–lb (19–23 N.m).
- Torque to 320–360 in–lb (36–41 N.m).

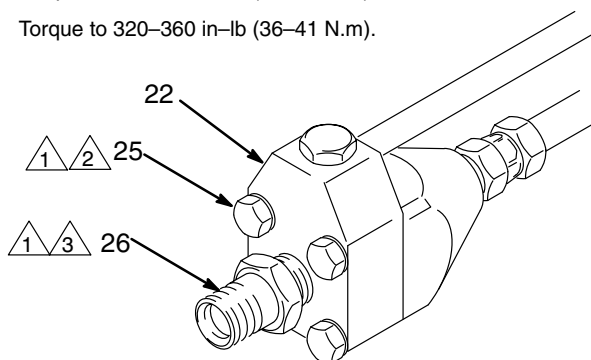


Fig. 5 0273

- After the first 3 to 5 hours of operation** torque the four screws (25) on the bottom of the paint pump to 170–200 in–lb (19–23 N.m). See Fig. 5.
- Also torque** the inlet valve (26) to 320–360 in–lb (36–41 N.m).
- Repeat these torques** after another 3 to 5 hours of operation, and then after each 25 hours of operation (about weekly).

## CAUTION

Failure to properly tighten the inlet valve and screws at the intervals indicated will result in oil leaking from the hydraulic system into the paint, and can cause costly damage to the sprayer.

## CAUTION

Never start the electric motor with the inlet valve removed to avoid damaging the diaphragm.

- If you have a Reverse-A-Clean IV tip guard on your gun and the tip clogs while spraying, release the gun trigger, lock the trigger safety lever, and rotate the spray tip handle 180°. See Fig. 6.
- Unlock the safety lever and trigger the gun into a grounded metal waste container. Hold a metal part of the gun firmly to the side of the container to reduce the risk of static sparking and splashing. The fluid pressure should force the obstruction from the tip. Lock the safety lever.
- Return the handle to the original position, unlock the safety lever, and resume spraying.

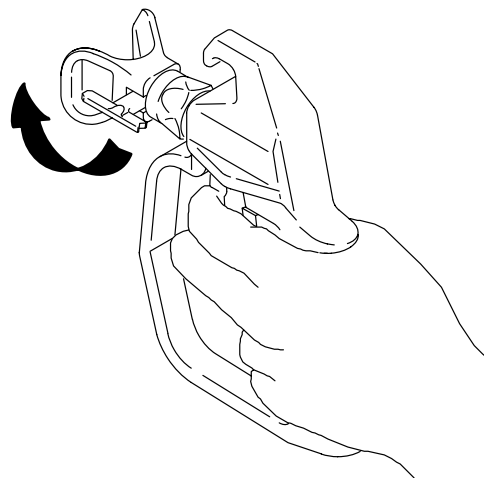


Fig. 6 0278

- If the tip is still clogged, lock the trigger safety lever, shut off and unplug the sprayer, and open the bypass valve one turn **counterclockwise**. Disassemble the tip in the reverse order of assembly (see manual 307–848). Thoroughly clean all parts in a compatible solvent and inspect for wear or damage. Replace parts as needed and reassemble. Be sure to use a new seal and gasket when changing tips.
- If you have a tip guard on your gun which is not self-clearing, follow step 12.
- Spraying techniques are given on page 15.
- Important maintenance procedures are given on pages 13 and 14.

# Maintenance

## CAUTION

**Thorough flushing and proper maintenance are essential to keep the sprayer working properly and avoid costly damage to the sprayer or the object being sprayed.**

**Diaphragm Failure:** Always replace the diaphragm after every 500 hours of operation (once every 4 to 6 months). The diaphragm weakens with use. If the diaphragm ruptures, hydraulic oil and paint may mix, damaging the sprayer and/or the surface of the object being sprayed may be damaged.

Follow the Maintenance Intervals outlined below.

## Maintenance Intervals

Flushing	Immediately after each use.
Lubricate the intake valve.	Immediately after each use.
Tighten the paint pump screws and the inlet valve.	<ol style="list-style-type: none"> <li>1. After the first 3 to 5 hours of operation.</li> <li>2. After the next 3 to 5 hours of operation.</li> <li>3. Each 25 hours thereafter (about weekly).</li> </ol>
Check or change the hydraulic oil.	<ol style="list-style-type: none"> <li>1. Check the oil after each use of the sprayer.</li> <li>2. Change the oil after the first 20 hours of operation.</li> <li>3. Change the oil each 50 hours thereafter (about twice monthly).</li> </ol>
Replace the diaphragm.	After every 500 gallons of paint sprayed (4 to 6 months).

## Flushing Procedure

1. Shut off the sprayer. Lock the gun trigger safety lever. Open the bypass valve ONE turn **counterclockwise**. Raise the paint pump just above the paint and turn on the sprayer to drain the paint. Now turn off the sprayer. See Fig. 7.
2. Place the paint pump in a grounded flushing pail of solvent.
3. Check to be sure the trigger safety lever is set. Remove the spray tip from the gun. Unlock the safety lever. Hold a metal part of the gun firmly to the side of a grounded metal pail. Close the bypass valve. Trigger the gun into the pail. Turn on the sprayer. Watch the side of the pail for solvent to appear. Then release the gun trigger. Turn off the sprayer.
4. With the bypass valve closed, turn on the sprayer, trigger the gun into the flushing pail and allow the solvent to circulate through the hose and gun for two to three minutes, using the lowest possible pressure. See Fig. 8. Release the gun trigger and lock the safety lever. Turn off the sprayer.

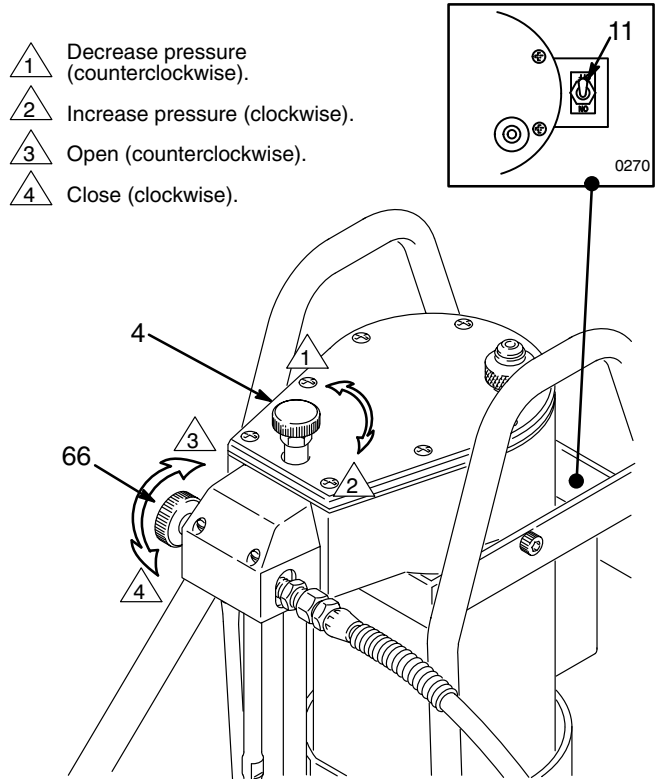


Fig. 7

0275

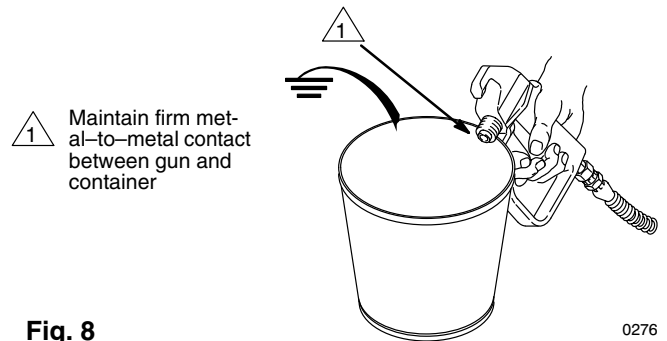


Fig. 8

0276

5. Open the bypass valve (66) ONE turn **counterclockwise**.
6. Raise the paint pump above the solvent, turn on the sprayer, and allow the pump to run itself dry. Turn the sprayer OFF.
7. Using a clean pail of water or solvent, and the lowest possible pressure, flush again to be sure all paint particles are removed.
8. Remove the paint strainer and clean it thoroughly.
9. Now lubricate the inlet valve. See page 14.

***maintenance procedure continued on next page***

# Maintenance

## Lubricate the Inlet Valve. See Fig. 9.

1. Follow the **Pressure Relief Procedure** on page 11. Remove the inlet screen.
2. Turn the sprayer over. Press down lightly on the stem (A) of the inlet valve (26) with a small screwdriver. Pour about a teaspoon of mineral spirits or solvent into the valve, then remove the screwdriver.
3. Set the sprayer upright. Increase the pressure control setting half way. Turn on the sprayer for a few seconds, then turn it OFF.
4. Now tighten the paint pump screws (25) and the inlet valve (26).

## Tighten the Paint Pump Screws and Inlet Valve

See Fig. 10.

1. Follow the **Pressure Relief Procedure** on page 11.
2. Torque the four screws (25) on the paint pump to 170–200 in-lb (19–23 N.m).
3. Torque the inlet valve (26) to 320–360 in-lb (36–41 N.m).

## Check and/or Change the Hydraulic Oil

See Fig. 11.

1. Follow the **Pressure Relief Procedure** on page 11.
2. Remove the fill cap (5). The oil should be 1 inch (25 mm) from the top of the plate. If the oil is low, add oil as necessary. Use only Graco lightweight hydraulic oil, part no. 218–797. Reinstall the fill cap, hand tight, if you are not going to change the oil.
3. To change the oil, turn the sprayer over and drain the oil through the fill cap hole.

### CAUTION

Whenever you remove the fill cap, be very careful not to let any dirt, paint particles, or other contaminants get into the hydraulic system. Contaminants can cause damage to the hydraulic system.

4. Fill the hydraulic pump housing with 16.5 ounces (55 ml) of Graco lightweight hydraulic oil. Reinstall the fill cap.

5. Plug in the sprayer. Turn the pressure control knob (4) fully **counterclockwise** (no pressure). Turn on the sprayer and let it run for two minutes to fill the hydraulic system. Increase the pressure to maximum and turn the sprayer on and off four times to help rid the hydraulic system of air.

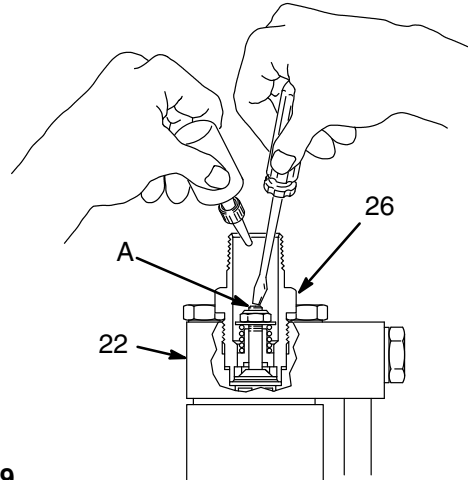


Fig. 9 0272

- 1 Lubricate the threads.
- 2 Torque to 170–200 in-lb (19–23 N.m)
- 3 Torque to 320–360 in-lb (36–41 N.m)

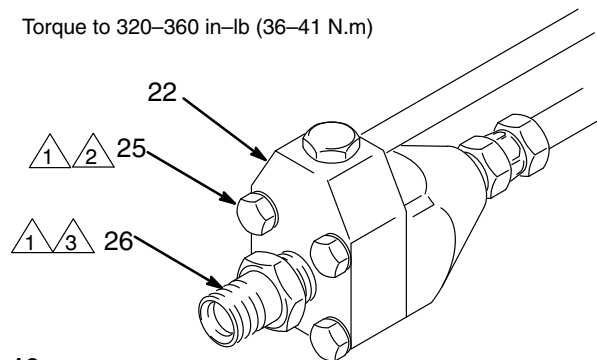


Fig. 10 0273

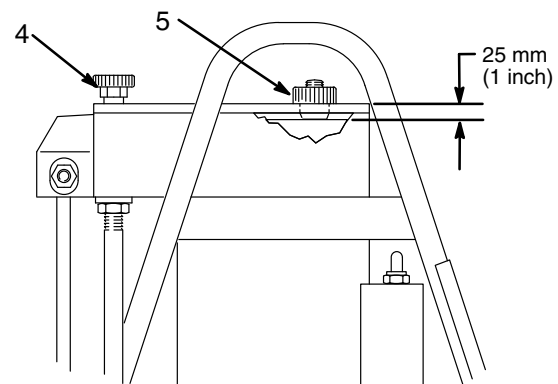


Fig. 11 0269

# Application Methods

Always hold the gun perpendicular to the surface and keep the gun at an even 12 to 14 inch (300 to 356 mm) from the surface you are spraying. See Fig. 12.

Begin moving the gun in a horizontal direction at a steady rate. Start the spray stroke off the target surface and pull the trigger *as the gun is moving*. Then, while the gun is still moving, and as you approach the other edge, release the trigger. This method avoids excess paint build-up at the end of each stroke.

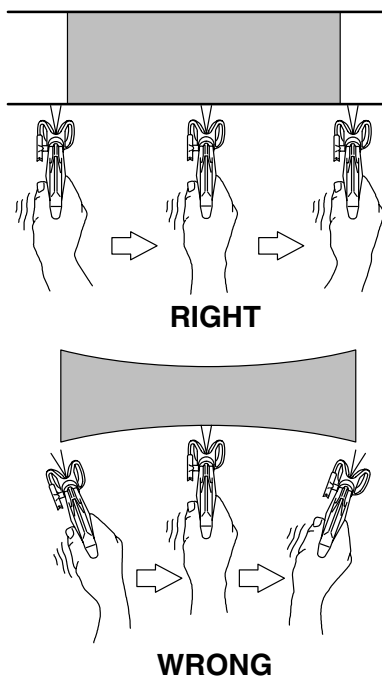


Fig. 12

The correct speed for moving the gun will allow a full, wet coating to be applied without runs or sags. Lapping each stroke about 50% over the previous stroke produces uniform paint thickness. Spraying in a uniform pattern alternately from right to left and then left to right, provides a professional finish. See Fig. 13.

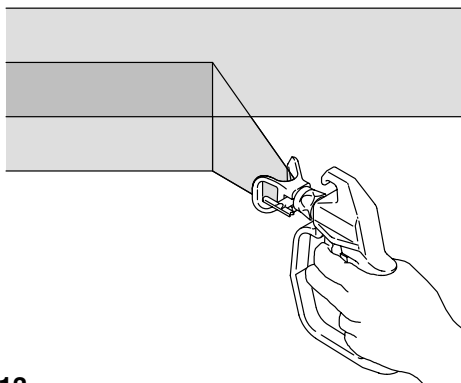


Fig. 13

*The best way to control the rate of coverage is with the gun tip size.* A small tip orifice applies less paint. A larger tip orifice applies more paint. The width of the pattern depends on the fan pattern of the tip you choose.

Do not try to increase coverage by increasing the fluid pressure! Using the lowest pressure necessary to get the results you want will help prolong the life of your sprayer and minimize paint lost by overspray.

For interior corners, such as on a bookcase or inside a cabinet, aim the gun toward the center of the corner to spray. By dividing the spray pattern this way, the edges on both sides are sprayed evenly. See Fig. 14.

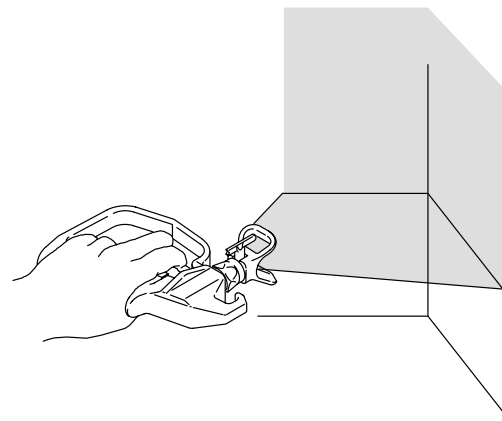


Fig. 14

If there is a wind, angle the spray pattern into the wind to minimize drifting. Paint from the ground to the roof.

*To avoid getting paint on these objects:*

**Shrubs.** When next to the house, tie back shrubs from the surface to be painted with rope and stakes. Then cover them with a canvas dropcloth as the painter approaches the area. Remove the canvas dropcloth as soon as the area is painted to prevent possible damage to the shrubs.

**Concrete walks.** If the walkways will be walked on, cover them with a canvas dropcloth to avoid slipping. Otherwise a plastic cloth is all that is needed.

**Electrical outlets and lamps.** Protect electrical outlets with masking tape. Cover lamps with plastic bags secured with masking tape.

**Nearby objects.** Move objects such as automobiles, picnic tables, lawn furniture, etc. upwind of the surface to be sprayed. In the case of a nearby home, make a protective barrier by hanging plastic between two long poles.

# Troubleshooting

## WARNING

To reduce the risk of injury, including fluid injection, always follow the **Pressure Relief Procedure Warning** on page 11 before checking or repairing any part of the spray system.

**NOTE:** If your sprayer is not operating well, or will not operate at all, check for obvious problems first. Follow the **Startup** procedure exactly (see page 11). Then if the sprayer won't start, use the Troubleshooting Chart for help in identifying the possible cause.

**NOTE:** Repairs, other than those for which instructions are given on page 18, should be performed by a trained and qualified repair agency.

**NOTE:** Remember, taking the time after each use of the sprayer to perform all of the maintenance procedures given on page 13 and 14 will help prevent down time and costly repair bills.

PROBLEM	CAUSE	SOLUTION
Poor spray pattern	Spray tip worn Paint too thick	Change tip Thin, try larger tip
Spray gun won't shut off	Worn ball Worn diffuser Paint build-up between needle and diffuser	Repair gun; order kit no. 218-588 Replace gun Disassemble and clean gun
Spray gun leaks	Worn seal or loose fluid fitting	Repair gun; order Kit no. 218-588; tighten fluid fitting.
Spray gun won't spray, or low output from gun	Paint supply empty Spray tip clogged Gun filter, if used, is clogged	Refill and reprime system. Use Reverse-A-Clean feature to clear tip clog; see page 12 Clean or replace
Sprayer will not start	Sprayer not plugged in ON/OFF switch turned off Sprayer left pressurized when shut off Motor overheated  Blown building fuse or circuit breaker tripped  No voltage or low voltage in electrical outlet  Damaged power supply cord or extension cord, or wrong type of extension cord  Starter switch (18a) damaged Motor worn or damaged	Plug in Turn switch on Relieve pressure first, then start off  Shut off, relieve pressure, allow to cool <b>NOTE:</b> Sprayer restarts automatically when cool if it is left on Replace or reset  Test the outlet or try plugging sprayer into another outlet  Return for repair; use only 3 wire, 16 gauge (minimum) extension cord with a 3 prong plug and a maximum length of 30 m (100 foot)  Replace; see page 18 Return for repair
Motor runs but sprayer won't run	Air in diaphragm housing	Bleed air



PROBLEM	CAUSE	SOLUTION
Sprayer starts but will not suck paint	Paint supply empty Inlet screen clogged Inlet valve stuck or damaged Outlet valve stuck Air trapped in hydraulic system Hydraulic oil level low or empty Wrong grade of hydraulic oil or wrong fluid in hydraulic system Inlet valve not tight Damaged diaphragm	Refill and prime pump Clean See page 18 See page 18 See page 18, <b>Diaphragm</b> , step 9 See page 14 Use only Graco approved hydraulic oil, part no. 218-797 Tighten; see page 14 Replace; see page 18
Sprayer sucks paint but does not build up pressure	Pressure control valve not turned up Outlet valve stuck, dirty or had worn parts Hydraulic oil low Inlet valve leaks Damaged diaphragm Damaged bypass valve Damaged hydraulic system Damaged paint pump	Adjust See page 18 See page 14 See page 18 Replace; see page 18 Replace Return sprayer for repair Replace
Sprayer sucks paint, builds pressure, but pressure drops when gun is triggered	No spray tip on gun Spray tip orifice too large for the paint or worn tip Inlet screen clogged Optional gun filter clogged Optional gun filter screen too fine for type of paint Paint too thick Worn outlet valve Leaking bypass valve Worn or damaged inlet valve Worn or damaged pressure control valve	Shut off sprayer and install tip Try a smaller tip or a new tip Clean Clean or replace Install larger mesh filter or strain and thin the paint Thin and/or strain Replace; see page 18 Replace See page 18 See page 18
Pressure fluctuations	Outlet valve stuck, dirty or worn Leaking or dirty bypass valve Dirty, leaking, worn or damaged inlet valve Dirty pressure control knob Damaged diaphragm, or paint pump, or hydraulic system	See page 18 Replace Replace; see page 18 Clean or replace; see page 18 Return for repair
Paint in hydraulic system	Ruptured diaphragm	Return for repair
Hydraulic oil in paint	Ruptured diaphragm	Return for repair

# Service

Repairs, other than those for which instructions are given below, should be performed by a trained and qualified repair agency.

## WARNING

To reduce the risk of injury, including fluid injection, splashing in the eyes or on the skin, or injury from moving parts, always follow the **Pressure Relief Procedure Warning** on page 11 before checking or repairing any part of the spray system.

**Inlet Check Valve.** See Fig. 15.

1. Unscrew the inlet check valve (26) from the paint pump (22).
2. Clean the gasket (26a), the inlet valve (26), and the paint pump (22) threads and check for erosion. If any of the parts are eroded, replace them.
3. Be sure the threads in the paint pump are clean.
4. Lubricate the threads of the inlet valve with petroleum jelly. Install the gasket on the valve, then install the valve and torque it to 320–360 in–lb (36–41 N.m).

**Outlet Check Valve.** See Fig. 15.

1. Unscrew the plug (28d) and the housing (28b).
2. Use a pick, such as a dentist's pick, to remove the seal (28a) from the paint pump (23). The seal may be hard to remove. **DO NOT LEAVE THE SEAL IN THE PAINT PUMP HOUSING.**
3. Clean the parts thoroughly, including the threads in the pump, with a compatible solvent. Check all parts for wear or damage and replace as needed.
4. Lubricate the threads of the housing (28b) and plug (28d).
5. Install a NEW seal (28a) in the pump housing. ALWAYS replace the seal (28a). Do not try to reuse the old seal as it will be deformed.

## CAUTION

Be sure you do not install a new seal until the old one is removed. Having two seals in the valve will cause performance problems.

6. Install the housing (28b) and torque to 125–150 in–lb (14–17 N.m).

7. The last coil on one end of the spring is turned in. Place this end over the stud in the plug (28d). Install the ball (28e), washer (28f) and plug, and torque to plug to 380–300 in–lb (32–34 N.m).

**Pressure Control.** See Fig. 15.

When removing the pressure control (4) to check or clean it, always replace the seal (4a). When replacing the pressure control, torque the new control (4) to 125–150 in–lb (14–17 N.m).

**Starter Switch.** See Fig. 15.

Remove the cover of the switch box. Remove the two screws holding the starter switch (18a). Remove the old switch and install a new one.

**Diaphragm.** See Fig. 15.

1. Remove the inlet strainer (27). Remove the four paint pump screws (25) and lockwashers (24).
2. Remove the bypass valve (66) and the fluid outlet nipple (67), and then remove the screws (35) and shield (3).
3. Remove the screw (36) and lockwasher (37) from the bracket (38).
4. Pull the paint pump assembly away from the hydraulic housing (20) and remove the old diaphragm (21).

## CAUTION

Never start the electric motor with the inlet valve (26) removed to avoid damaging the diaphragm.

## CAUTION

Be careful not to get any dirt or paint on the new diaphragm or the hydraulic housing. Contaminants in the hydraulic system can cause the sprayer to malfunction and result in costly damage to the sprayer.

DO NOT TAMPER with the nut (C). The nut is factory set to hold the spring to a specific dimension.

5. Check the gasket (22a) for wear or damage and replace it if needed. Clean the top of the paint pump and the hydraulic housing thoroughly.
6. Install the new diaphragm assembly (21), lubricate the internal threads of the housing (20), and reassemble the parts.

# Service

- Lubricate the screws (25) and then install and torque them to 170–200 in–lb (19–23 N.m).

- Check the hydraulic oil level and add Graco-approved oil as necessary until the level is 1 inch (25 mm) from the top of the plate. See Fig. 11.

## CAUTION

Whenever you remove the paint pump screws, torque them as instructed above, and then retorque them after 3 to 5 hours of operation.

- Turn the pressure control fully **counterclockwise** (no pressure). Plug in the sprayer and turn it on. Run the sprayer for two minutes to fill the hydraulic system. Increase the pressure to maximum and turn the sprayer on and off four times to help rid the hydraulic system of air.

- Torque to 125–150 in–lb (14–17 N.m).
- Apply sealant to the threads.
- Lubricate the internal threads.
- Torque to 125–150 in–lb (14–17 N.m).
- Torque to 280–300 in–lb (32–34 N.m).
- Lubricate the threads.
- Torque to 320–360 in–lb (36–41 N.m).
- Torque to 170–200 in–lb (19–23 N.m).
- Do not alter the position of the nut.
- The start switch is located in the switch box.

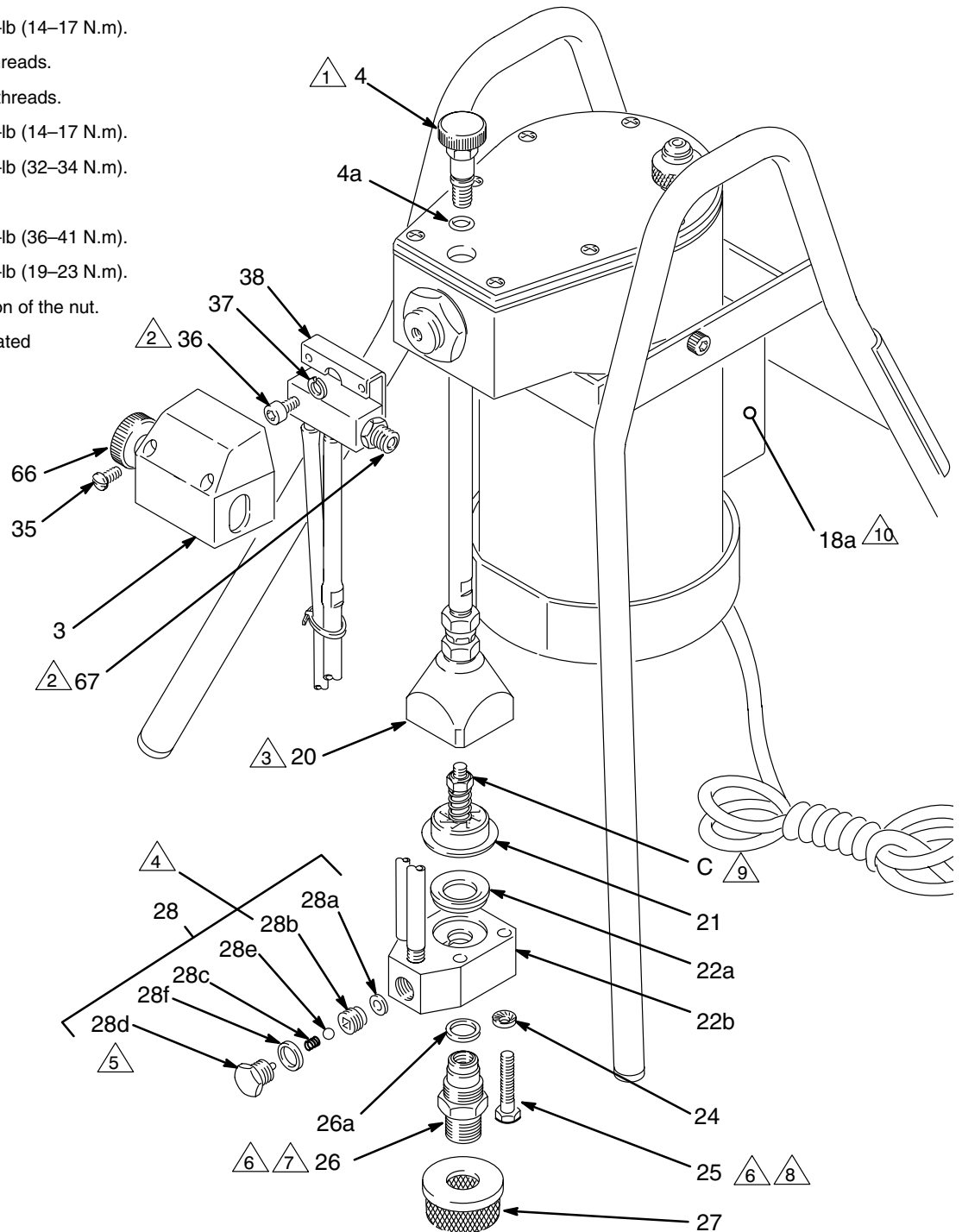
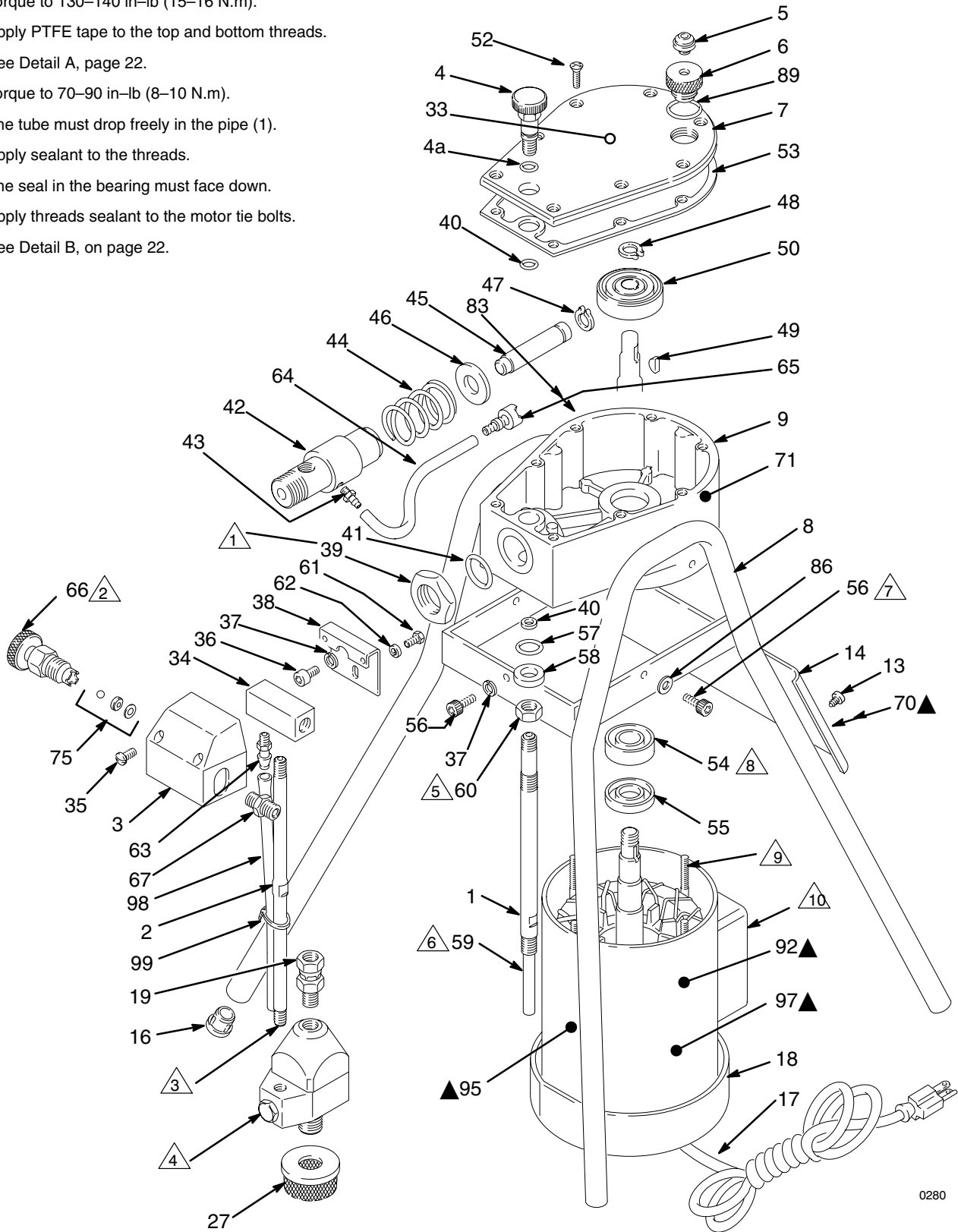


Fig. 15

0284

# Parts

- 1 Lubricate the threads. Torque to 40–45 in–lb (54–60 N.m).
- 2 Torque to 130–140 in–lb (15–16 N.m).
- 3 Apply PTFE tape to the top and bottom threads.
- 4 See Detail A, page 22.
- 5 Torque to 70–90 in–lb (8–10 N.m).
- 6 The tube must drop freely in the pipe (1).
- 7 Apply sealant to the threads.
- 8 The seal in the bearing must face down.
- 9 Apply threads sealant to the motor tie bolts.
- 10 See Detail B, on page 22.



0280

# Parts

## Sherwin-Williams Pt2500 Sprayer

Model 820-113 Series C,

Includes items 1 to 102

**NOTE:** The part numbers and drawings for items 10 to 12, 15, 18a, 20 to 26 and 28 are shown on page 22.

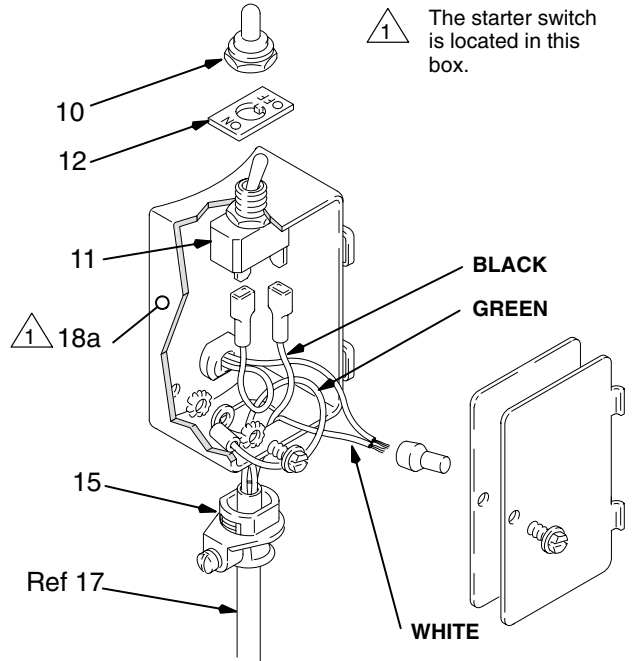
Ref. No.	Part No.	Description	Qty.	Ref. No.	Part No.	Description	Qty.
1	820-832	PIPE, pump, 5 gallon size	1	52	820-808	SCREW, mach; oval head; thread forming; No. 10-24 x 0.625 inch	8
2	820-835	TUBE, paint, 5 gallon size	1				
3	820-878	SHROUD	1				
4	820-868	CONTROL, pressure <i>Includes replaceable item 4a</i>	1	53	820-839	GASKET, housing	1
4a	820-830	.GASKET	1	54	820-803	BEARING, ball	1
5	820-813	VALVE, plug, fill	1	55	820-804	SEAL, shaft	1
6	820-842	PLUG, fill	1	56	820-819	CAPSCREW, soc hd; M6 x 1.0 x 16	3
7	820-877	COVER, pump housing	1	57	820-816	PACKING, o-ring, buna-n	1
8	820-870	STAND, pump	1	58	820-846	SEAL, tube	1
9	820-826	HOUSING, motor	1	59	820-834	ROD, displacement, 5 gallon	1
13	820-795	SCREW, mach; pan head; self-tapping; No. 10 x 0.375 inch	2	60	820-812	NUT, hex; 9/16 inch thread	1
14	820-840	SUPPORT, leg	1	61	820-810	CAPSCREW, hex head; M4 x 0.7 x 10	1
16	820-817	PLUG	4	62	820-807	WASHER, plain, M4	1
17	820-865	CORD SET, power, 60 Hz	1	63	820-815	FITTING, hose, barbed	1
18	820-851	MOTOR, electric, 1/2 HP, 120V, 60Hz; 1725 RPM, single phase; <i>Includes 18a shown on page 22</i>	1	64	820-844	TUBE, filter	1
19	820-822	UNION, swivel, 1/4 npt(m) x 1/4 npt swivel	1	65	820-845	FILTER, hydraulic oil	1
27	820-811	STRAINER	1	66	820-960	BYPASS VALVE ASSEMBLY	1
33	820-118	LABEL, identification	1	67	820-824	ADAPTER, 1/8 npt to 1/4 npsm	1
34	820-959	HOUSING, pressure control	1	70▲	185-952	LABEL, DANGER, English	1
35	820-796	SCREW, mach; pan head; cross head recessed; M4 x 0.7 x 10	2	71	820-120	LABEL, identification	1
36	820-806	CAPSCREW, socket head; M6 x 1.0 x 12	1	75	820-961	SEAT KIT	1
37	820-809	LOCKWASHER, spring, M6	2	81▲	179-761	TAG, warning	1
38	820-838	BRACKET, shroud		83	820-119	LABEL	1
39	820-849	NUT, hex; M25 x 1.0	1	86	820-791	WASHER, plain, 3/16 inch	2
40	820-830	GASKET, nylon	2	89	820-818	O-RING	1
41	820-794	O-RING, cylinder	1	90	820-874	SPRING SET, <i>includes 2 replacement springs, same as item 28c on page 22</i>	1
42	820-850	CYLINDER, pump	1	92▲	181-325	LABEL, Warning	1
43	820-814	FITTING, hose, barbed	1	95▲	186-126	LABEL, Warning	1
44	820-799	SPRING, compression	1	97▲	185-955	LABEL, DANGER, French	1
45	820-836	PISTON	1	98	820-862	DRAIN TUBE	1
46	820-837	WASHER, spring, backup	1	99	820-793	TIE STRAP	1
47	820-802	RING, retaining, external	1	101	820-876	HOSE, nylon; 1/4 inch ID, cpld 1/4 npsm; spring guards both ends; 7.1 m (25 foot) long	1
48	820-805	RING, retaining, external	1	102	820-078	GUN, spray <i>See manual 307-821</i>	1
49	820-800	KEY, woodruff	1				
50	820-873	ECCENTRIC ASSY	1				

▲ Replacement Danger and Warning labels, tags and cards are available at no cost.

# Parts

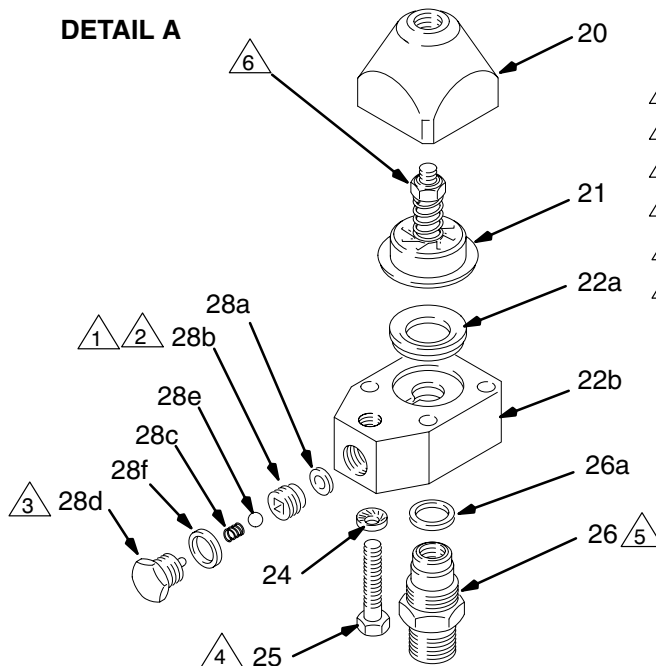
Ref. No.	Part No.	Description	Qty.
10	820-341	TOGGLE BOOT	1
11	820-342	SWITCH, toggle	1
12	820-797	PLATE, switch, ON/OFF	1
15	820-798	STRAIN RELIEF BUSHING	1
18a	820-821	START SWITCH	1
		<i>Included with motor, item 18</i>	1
20	820-827	HOUSING, diaphragm	1
21	820-867	DIAPHRAGM ASSEMBLY	1
22	820-831	GUIDE, diaphragm	1
23	820-828	HOUSING, pump	1
24	820-820	WASHER, belleville	4
25	820-801	CAPSCREW, hex head; M8 x 1.25 x 40	4
26	820-866	VALVE, inlet check	1
		<i>Includes replaceable item 26a</i>	1
26a	820-829	.GASKET	1
28	820-869	OUTLET CHECK VALVE ASSY	1
		<i>Includes items 28a-28f</i>	1
28a	820-735	.GASKET, nylon	1
28b	820-771	.HOUSING, seat, valve	1
28c	821-021	.SPRING, compression	1
28d	820-863	.PLUG, ball stop	1
28e	821-020	.BALL, carbide	1
28f	820-734	.WASHER	1

## DETAIL B



0282

## DETAIL A



0281

# Manual Change Summary

Assembly Changed	Part Status	Ref No.	Part No.	Part Name
820-113 Sprayer	Delete	28c	820-714	Outlet Spring
	Delete	28e	820-792	Ball
	Add	28c	821-021	Spring
	Add	28e	821-020	Ball

The new spring and balls are not interchangeable with the old ones.

# Technical Data

Power Requirements . . . . . 120 VAC, 60 Hz,  
1 Phase, 15 AMP minimum  
Pressure Operating Range . . . . . 0–3000 psi  
(0 – 210 bar)  
Maximum Delivery . . . . . 0.28 GPM (1.1 liter/min)  
Power Cord . . . . . No. 16 AWG, 3 wire,  
8.5 feet (2.6 m) long  
Inlet Paint Strainer . . . . . 16 mesh  
Fluid Outlet Nipple . . . . . 1/4 npsm (m)  
Weight – without hose and gun . . . . . 33 lb (14.8 kg)  
Dimensions . . . . . Height: 20 inch (508 mm)  
Width: 17.5 inch (444.5 mm)  
Depth: 17.5 inch (444.5 mm)  
Wetted Parts . . . . . Stainless Steel, Zinc-Plated Steel,  
Carbide, Aluminum, Nylon, Delrin®, Monel

*Delrin® is a registered trademark of the Company*

# Graco Phone Numbers

**TO PLACE AN ORDER**, contact your Graco distributor, or call this number to identify the distributor closest to you: **1–800–367–4023 Toll Free**

**FOR TECHNICAL ASSISTANCE**, service repair information or assistance regarding the application of Graco equipment: **1–800–543–0339 Toll Free**

## The Sherwin-Williams Warranty and Disclaimers

### WARRANTY

The Sherwin–Williams Company warrants all equipment manufactured by it and bearing its name to be free from defects in material and workmanship on the date of sale by an authorized Sherwin–Williams Company distributor to the original purchaser for use. As purchaser's sole remedy for breach of this warranty, the Sherwin–Williams Company will, for a period of twelve months from the date of sale, repair or replace any part of the equipment proven defective. This warranty applies only when the equipment is installed, operated and maintained in accordance with the Sherwin–Williams Company's written recommendations.

This warranty does not cover, and the Sherwin–Williams Company shall not be liable for, any malfunction, damage or wear caused by faulty installation, misapplication, abrasion, corrosion, inadequate or improper maintenance, negligence, accident, tampering, or substitution of non–Sherwin–Williams Company component parts. Nor shall the Sherwin–Williams Company be liable for malfunction, damage or wear caused by the incompatibility with the Sherwin–Williams Company equipment of structures, accessories, equipment or materials not supplied by the Sherwin–Williams Company, or the improper design, manufacture, installation, operation or maintenance of structures, accessories, equipment or materials not supplied by the Sherwin–Williams Company.

This warranty is conditioned upon the prepaid return of the equipment claimed to be defective to an authorized Sherwin–Williams Company distributor for verification of the claim. If the claimed defect is verified, the Sherwin–Williams Company will repair or replace free of charge any defective parts. The equipment will be returned to the original purchaser transportation prepaid. If inspection of the equipment does not disclose any defect in material or workmanship, repairs will be made at a reasonable charge, which charges may include the costs of parts, labor and transportation.

### DISCLAIMERS AND LIMITATIONS

The terms of this warranty constitute purchaser's sole and exclusive remedy and are in lieu of any other warranties (express or implied), **including warranty of merchantability or warranty of fitness for a particular purpose**, and of any non–contractual liabilities, including product liabilities, based on negligence or strict liability. Every form of liability for direct, special or consequential damages or loss is expressly excluded and denied. In no case shall the Sherwin–Williams Company's liability exceed the amount of the purchase price. Any action for breach of warranty must be brought within two (2) years of the date of sale.

### EQUIPMENT NOT COVERED BY SHERWIN–WILLIAMS COMPANY WARRANTY

The Sherwin–Williams Company makes no warranty, and disclaims all implied **warranties of merchantability and fitness for a particular purpose**, with respect to accessories, equipment, materials, or components sold but not manufactured by the Sherwin–Williams Company. These items sold, but not manufactured by the Sherwin–Williams Company (such as electric motor, switches, hose, etc.) are subject to the warranty, if any, of their manufacturer. The Sherwin–Williams Company will provide purchaser with reasonable assistance in making any claim for breach of these warranties.