

Interior Texture Sprayer TS900

3A1171B

EN

**For use with water based materials only. For professional use only.
Not approved to European explosive atmosphere requirements.**

24F566

60 psi (.41 MPa, 4.1 bar) Maximum Fluid Working Pressure



Important Safety Instructions

Read all warnings and instructions in this manual. Save these instructions.

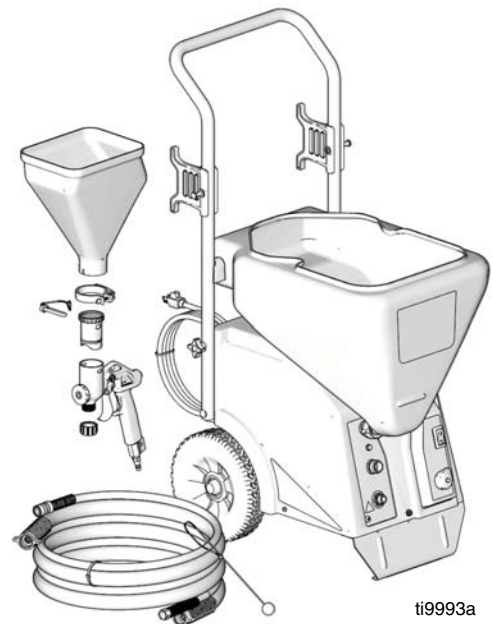
Related Manuals



311969



3A1169



ti9993a

Warnings

The following warnings are for the setup, use, grounding, maintenance, and repair of this equipment. The exclamation point symbol alerts you to a general warning and the hazard symbols refer to procedure-specific risks. When these symbols appear in the body of this manual, refer back to these Warnings. Product-specific hazard symbols and warnings not covered in this section may appear throughout the body of this manual where applicable.

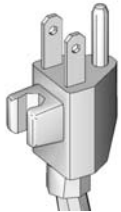
WARNING



GROUNDING

This product must be grounded. In the event of an electrical short circuit, grounding reduces the risk of electric shock by providing an escape wire for the electric current. This product is equipped with a cord having a grounding wire with an appropriate grounding plug. The plug must be plugged into an outlet that is properly installed and grounded in accordance with all local codes and ordinances.

- Improper installation of the grounding plug is able to result in a risk of electric shock.
- When repair or replacement of the cord or plug is required, do not connect the grounding wire to either flat blade terminal.
- The wire with insulation having an outer surface that is green with or without yellow stripes is the grounding wire.
- Check with a qualified electrician or serviceman when the grounding instructions are not completely understood, or when in doubt as to whether the product is properly grounded.
- Do not modify the plug provided; if it does not fit the outlet, have the proper outlet installed by a qualified electrician.
- This product is for use on a nominal 120V circuit and has a grounding plug similar to the plug illustrated in the figure below.



- Only connect the product to an outlet having the same configuration as the plug.
- Do not use an adapter with this product.

Extension Cords:

- Use only a 3-wire extension cord that has a 3-blade grounding plug and a 3-slot receptacle that accepts the plug on the product.
- Make sure your extension cord is not damaged. If an extension cord is necessary, use 12 AWG (2.5 mm²) minimum to carry the current that the product draws.
- An undersized cord results in a drop in line voltage and loss of power and overheating.

! WARNING



FIRE AND EXPLOSION HAZARD

Flammable fumes, such as solvent, in work area can ignite or explode. To help prevent fire and explosion:



- Use equipment in well ventilated area.
- Sprayer generates sparks. When flammable liquids are used near the sprayer or for flushing or cleaning, keep sprayer at least 20 feet (6 meters) away from explosive vapors.
- Keep work area free of debris, including solvent, rags and gasoline.
- Ground equipment in the work area. See **Grounding and Electrical Requirements, page 7**.
- If there is static sparking or you feel a shock, **stop operation immediately**. Do not use equipment until you identify and correct the problem.
- Keep a working fire extinguisher in the work area.



ELECTRIC SHOCK HAZARD

This equipment must be grounded. Improper grounding, setup, or usage of the system can cause electric shock.

- Turn off and disconnect power cord before servicing equipment.
- Use only grounded electrical outlets.
- Use only 3-wire extension cords.
- Ensure ground prongs are intact on power and extension cords.
- Do not expose to rain. Store indoors.



PRESSURIZED EQUIPMENT HAZARD

Fluid from the gun/dispense valve, leaks, or ruptured components can splash in the eyes or on skin and cause serious injury.

- Follow the **Pressure Relief Procedure, page 7** when you stop spraying and before cleaning, checking, or servicing equipment.
- Tighten all fluid connections before operating the equipment.
- Check hoses, tubes, and couplings daily. Replace worn or damaged parts immediately.

! WARNING



EQUIPMENT MISUSE HAZARD

Misuse can cause death or serious injury.

- Always wear appropriate gloves, eye protection, and a respirator or mask when painting.
- Do not operate or spray near children. Keep children away from equipment at all times.
- Do not overreach or stand on an unstable support. Keep effective footing and balance at all times.
- Stay alert and watch what you are doing.
- Do not leave the unit energized or under pressure while unattended. When the unit is not in use, turn off the unit and follow the **Pressure Relief Procedure, page 7** for turning off the unit.
- Do not operate the unit when fatigued or under the influence of drugs or alcohol.
- Do not kink or over-bend the hose.
- Do not expose the hose to temperatures or to pressures in excess of those specified by Airlessco.
- Do not use the hose as a strength member to pull or lift the equipment.



PLASTIC PARTS CLEANING SOLVENT HAZARD

Many solvents can degrade plastic parts and cause them to fail, which could cause serious injury or property damage.

- Use only compatible water-based solvents to clean plastic structural or pressure-containing parts.
- See **Technical Data** in this and all other equipment instruction manuals. Read fluid and solvent manufacturer's MSDSs and recommendations.



BURN HAZARD

Equipment surfaces and fluid that's heated can become very hot during operation. To avoid severe burns:

- Do not touch hot fluid or equipment.



MOVING PARTS HAZARD

Moving parts can pinch, cut or amputate fingers and other body parts.



- Keep clear of moving parts.
- Do not operate equipment with protective guards or covers removed.
- Pressurized equipment can start without warning. Before checking, moving, or servicing equipment, follow the **Pressure Relief Procedure, page 7** and disconnect all power sources.



PERSONAL PROTECTIVE EQUIPMENT

You must wear appropriate protective equipment when operating, servicing, or when in the operating area of the equipment to help protect you from serious injury, including eye injury, hearing loss, inhalation of toxic fumes, and burns. This equipment includes but is not limited to:

- Protective eyewear, and hearing protection.
- Respirators, protective clothing, and gloves as recommended by the fluid and solvent manufacturer.

NOTICE

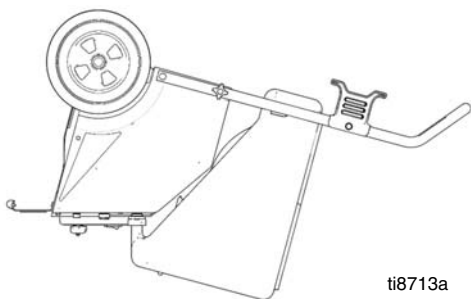
Water or material remaining in unit when temperatures are below freezing can damage motor and/or delay pump startup. Do not allow unit to freeze.

General Information

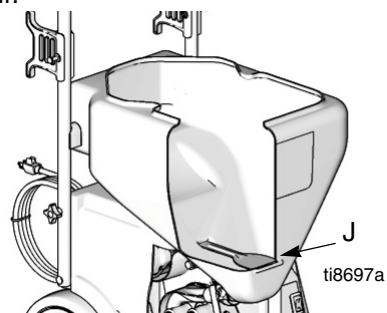
Before adding material or starting unit in cold weather, run warm water through pump.

To ensure water and material are completely drained out of unit:

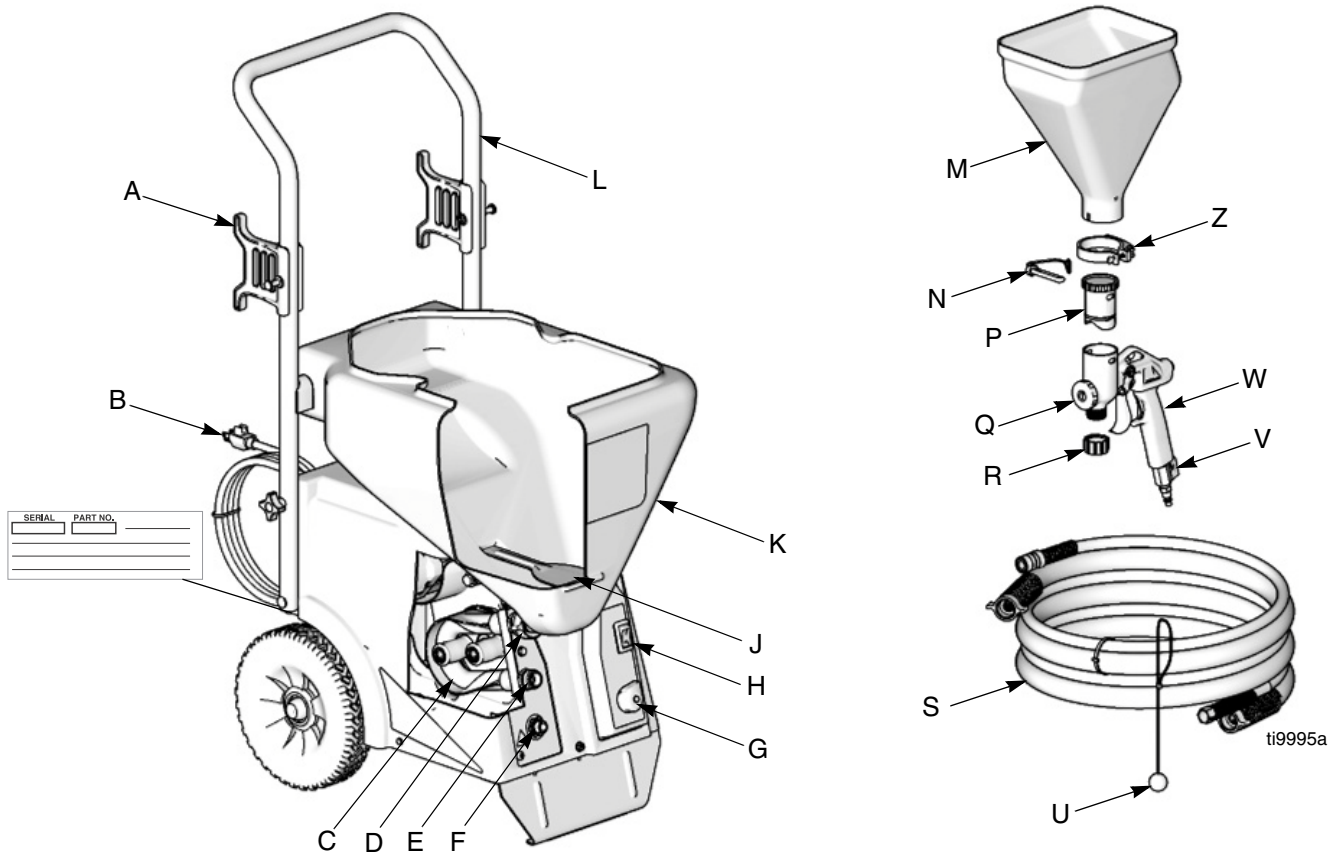
1. Remove material line from sprayer.
2. Tip sprayer up as shown.



Before adding material to the hopper, install the burp guard (J). When only a small amount of material remains in the hopper, the burp guard prevents material from shooting out when the unit is turned off. This material could splash in the operator's eyes or on skin, or into the air.





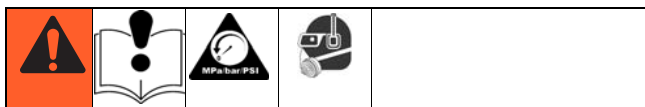
Component Identification



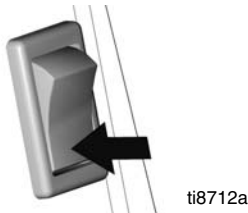
Item	Component	Item	Component
A	Hose Rack/Cord Wrap	M	Touch-Up Hopper (3/4 Gallon)
B	Power Cord	N	Gun Plug Clip
C	RotoFlex™ II Pump (inside)	P	Gun Plug
D	Hopper Fitting (fluid inlet)	Q	Nozzle
E	Material Hose Outlet	R	Hose Plug
F	Air Hose Outlet	S	Material/Air Hose
G	TS900 - Hopper Gun/Spray Selector Switch	U	Material Thickness Gauge
H	ON/OFF Switch	V	Gun Air Flow Control Valve
J	Burp Guard	W	Texture Spray Gun (manual 311969)
K	TS900 - Material Hopper, 8 Gallon	Z	Hopper Clamp
L	Handle		

Pressure Relief Procedure

		
<p>To reduce risk of injury, follow this procedure whenever you see this symbol throughout this manual, Also, perform this procedure whenever you:</p> <ul style="list-style-type: none"> • Stop spraying • Check or repair any part of this system • Install or clean spray nozzle 		



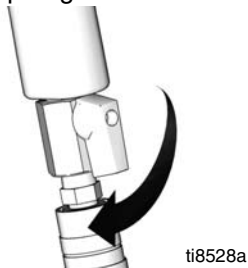
1. Turn Power Switch OFF.



2. Trigger gun into material hopper.



3. Open gun air valve.



Grounding and Electrical Requirements

This sprayer must be grounded. Grounding reduces the risk of electrical shock by providing an escape wire for the electrical current. The sprayer cord includes a grounding wire with an appropriate grounding plug. The plug must be plugged into an outlet that is properly installed and grounded in accordance with all local codes and ordinances.

Check with a qualified electrician or if grounding instructions are not completely understood, or if in doubt as to whether the product is properly grounded. Do not modify plug provided; if it will not fit the outlet, have proper outlet installed by a qualified electrician.



120V AC Systems

- This equipment requires a 120V AC, 60 Hz, 15A circuit with a grounding receptacle. Do not use an adapter with this product.

Extension Cords

- Use only an extension cord with an undamaged, 3-prong plug.
- For 25 to 50 ft (7.6 to 15.2 m) cords, use 3-wire, 14 AWG (1.5 mm²) minimum.
- For up to 100 ft. (30.48 m) cord, use 3-wire, 12 AWG (2.5 mm²) minimum.

Auxiliary Air Compressor

Do not use an auxiliary air compressor with this spray system.

Generator Requirements

3500 W (3.5 KW) minimum.

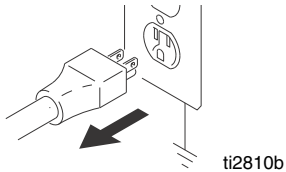
Hose Size and Length

The system comes with a hose set consisting of a 3/4 in. ID x 25 ft (25 mm x 7.6 m) material hose and a 3/8 in-ID air hose.

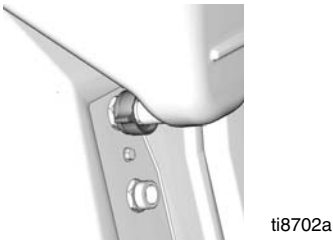
Shroud Removal

Disassembly

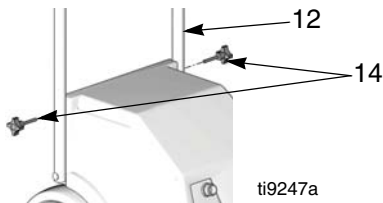
1. Relieve Pressure, page 7.
2. Unplug sprayer from outlet.



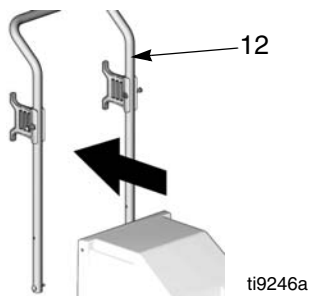
3. Loosen bottom hopper fitting by hand and pull hopper up and off from handle.



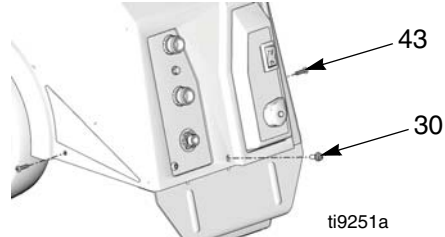
4. Loosen and remove 2 knobs (14) on sprayer handle (12).



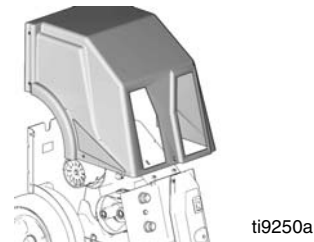
5. Spread sprayer handle (12) apart and remove from sprayer.



6. Loosen screws (30) and (43) on shroud.



7. Lift bottom front of shroud and pull up and over front control to remove.



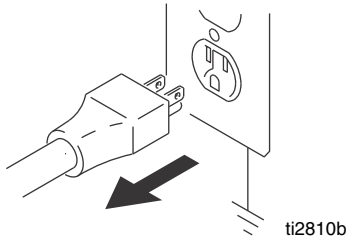
Reassembly

1. Replace shroud, pull over front controls and push down until shroud snaps into place.
2. Replace and tighten screws (30) and (43).
3. Spread sprayer handle apart and slide handle down into place.
4. Tighten 2 knobs (14) on sprayer handle (12).
5. Replace hopper and tighten hopper fitting by hand until snug.

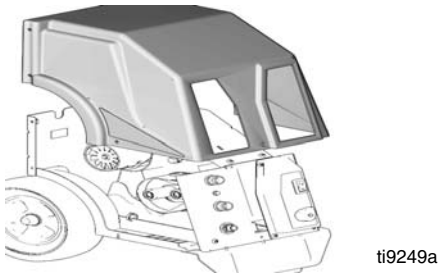
RotoFlex™ II Pump

Disassemble

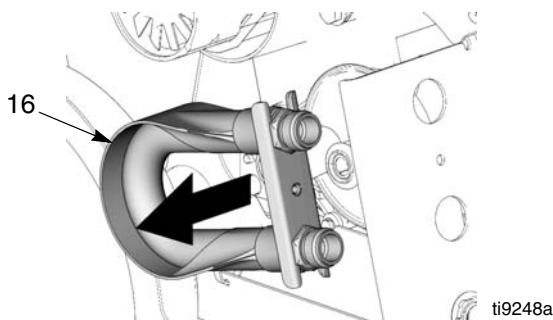
1. **Relieve Pressure, page 7.**
2. Unplug sprayer from outlet.



3. Remove **Shroud, page 8.**
4. Loosen and remove screw (28) on hose bracket.

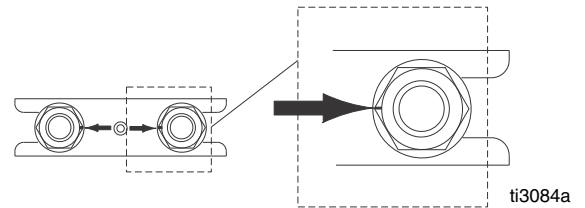


5. Grab pump hose (16) from side of unit and remove pump hose by hand.

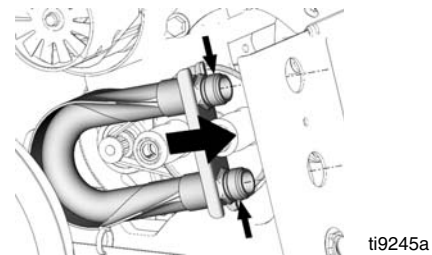


Reassemble

1. Bend hose (16) so colored dots on hose fittings face each other.



2. Slide new pump hose (16) over rollers. Move pump rollers by hand to rotate rollers until they are positioned correctly with pump hose.



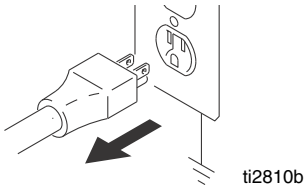
3. Feed pump fittings through front of sprayer.
4. Replace and tighten screw (28) on hose bracket.
5. Replace **Shroud, page 8.**
6. To break in new pump, add 1 cup of water to pump and run for 3 minutes.

Compressor

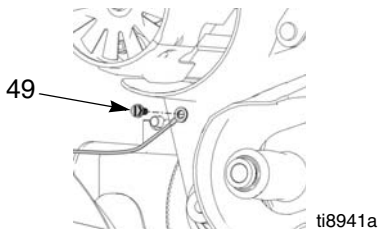
Use Compressor Repair Kit, 288612.

Disassembly

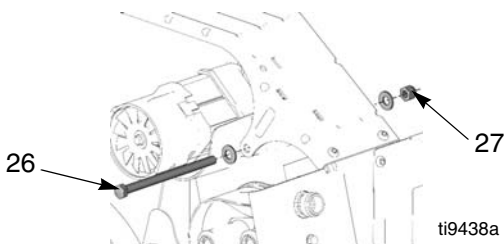
1. Relieve Pressure, page 7.
2. Unplug sprayer from outlet.



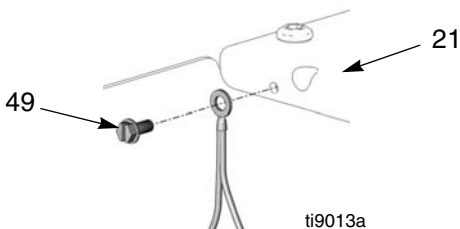
3. Remove **Shroud**, page 8.
4. Remove **RotoFlex™ II Pump hose**, page 9.
5. Unscrew and remove grounding screw (49) from compressor.



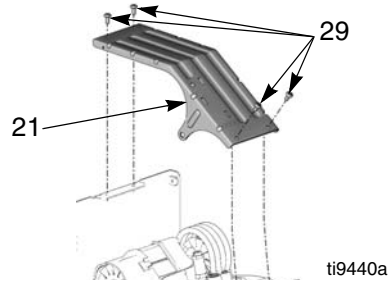
6. Use 9/16 in. socket and wrench to remove pivot bolt (26) and nut (27).



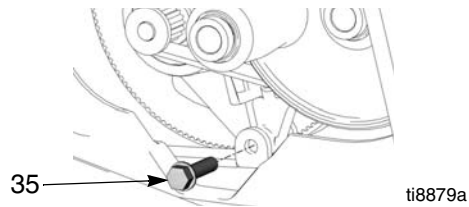
7. Unscrew and remove second grounding screw (49) from bracket (21).



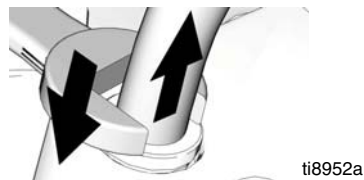
8. Remove 4 screws (29) and lift bracket (21) off of compressor.



9. Remove shoulder bolt (35) holding pump frame to cylinder bracket.



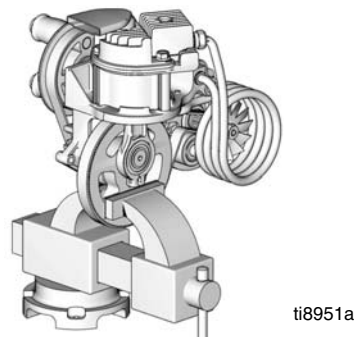
10. Use a wrench to push down on push-to-connect fitting and pull out all nylon hoses.



11. Disconnect all electrical wire connectors, see **Wiring Diagram**, page 25.

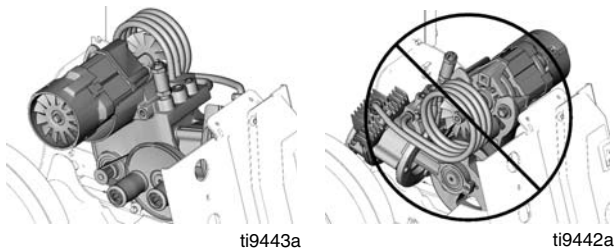
12. Thoroughly clean inside housing, removing dust and debris.

To service the compressor, remove it from the sprayer body and place in a vice. Tighten the vice onto the main pulley to hold the compressor in place while servicing.

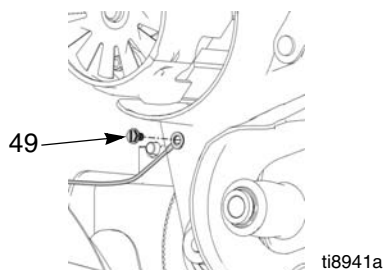


Reassembly

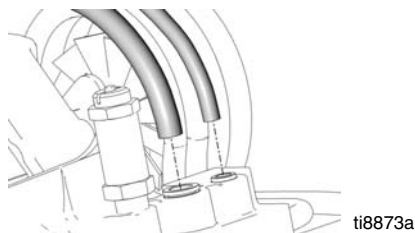
1. Carefully position compressor back into sprayer body. Make sure piston head is facing front of sprayer.



2. Replace and tighten grounding screw (49).

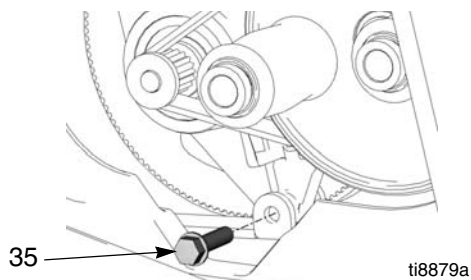


3. Reattach air lines to compressor.

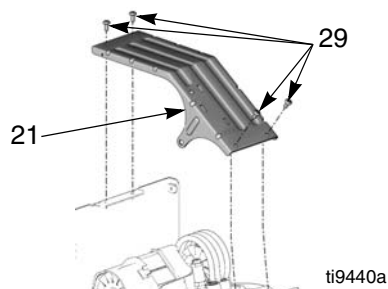


4. Reattach 2 wires to compressor see **Wiring Diagram, page 25.**

5. Replace air cylinder and tighten shoulder bolt (35) to lock into place.

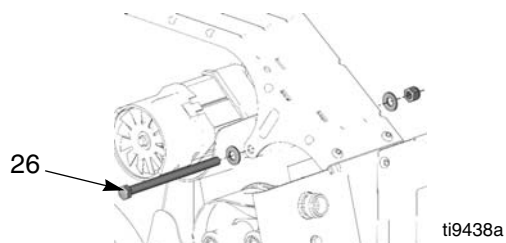


6. Replace bracket (21) and tighten 4 screws (29).

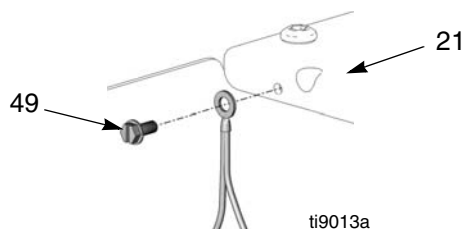


7. Replace grounding screw (49) and tighten onto bracket (21).

8. Replace pivot bolt (26) and use 9/16 in. socket and wrench to tighten into place. Tighten screw until spring washers are flattened.



9. Replace and tighten second grounding screw (49) to bracket (21).



10. Replace **RotoFlex™ II Pump hose; page 9.**

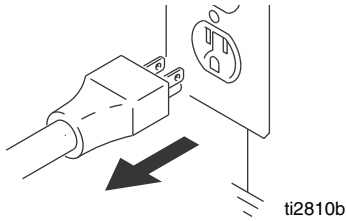
11. Replace **Shroud, page 8.**

Piston/Cylinder

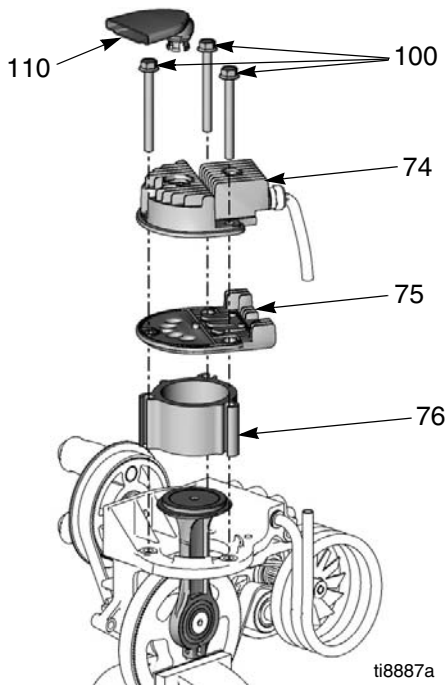
Use Piston/Cylinder Repair Kit 288609.

Disassembly

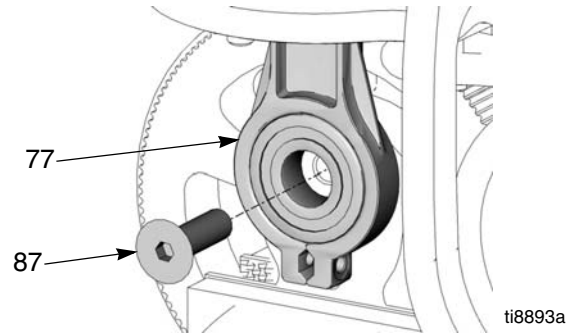
1. Relieve Pressure, page 7.
2. Unplug sprayer from outlet.



3. Remove **Shroud**, page 8.
4. Remove **RotoFlex™ II Pump hose**; page 9.
5. Remove **Compressor**, page 10.
6. Remove muffler (110) from head (74) by pulling straight out by hand.
7. Use 1/2 in. socket to remove three bolts (100) from head (74).



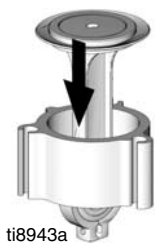
8. Use flat-blade screwdriver to pry head (74) from top of valve plate (75) and cylinder (76) from bottom of valve plate (75).
9. Use 7/32 in. allen wrench to remove hex screw (87) from piston rod (77).



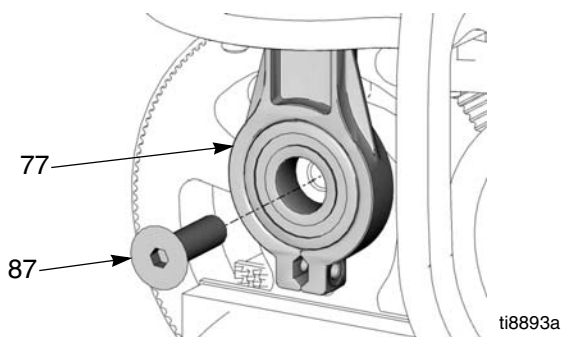
Reassembly

NOTICE

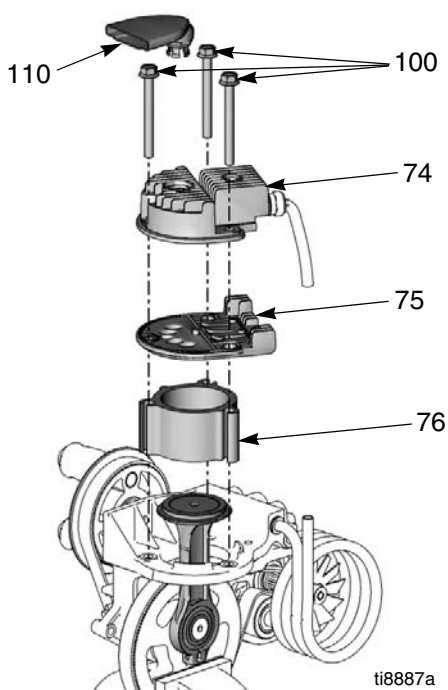
Piston and cylinder come packaged together. Do NOT let piston and cylinder come apart. If they do, make sure you drop the piston down through the top of the cylinder and tilt the piston as you pull it through the cylinder. Do NOT push the piston up from the bottom. You could easily damage the piston gasket.



1. Replace piston (77) and cylinder (76) and use 7/32 in. allen wrench to tighten hex screw (87) into piston rod.



2. Replace valve plate (75) with ribs facing up toward head.



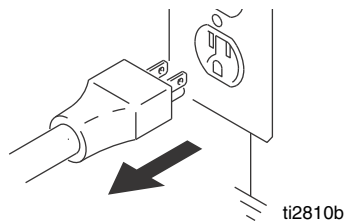
3. Replace three bolts (100) and use 1/2 in. socket to tighten into head (74). Torque all three bolts to 75 in-lb, then torque all bolts again to 210 in-lb.
4. Replace muffler (110) as seen below and press onto head (74) until it snaps into place.
5. Replace **Compressor, page 10.**
6. Replace **RotoFlex™ II Pump hose; page 9.**
7. Replace **Shroud, page 8.**

Valve Plate

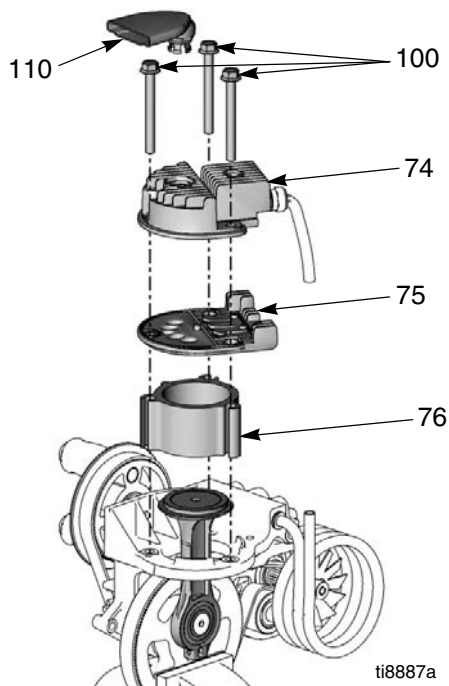
Use Valve Plate Repair Kit 288610.

Disassembly

1. Relieve Pressure, page 7.
2. Unplug sprayer from outlet.



3. Remove **Shroud**, page 8.
4. Remove **RotoFlex™ II Pump hose**; page 9.
5. Remove **Compressor**, page 10.
6. Remove muffler (110) from head (74) by pulling straight out by hand.
7. Use 1/2 in. socket to loosen and remove three bolts (100) from head (74).



8. Use flat-blade screwdriver to pry head (74) from top of valve plate (75) and cylinder (76) from bottom of valve plate (75).

Reassembly

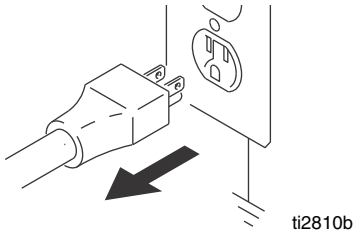
1. Replace valve plate (75) with ribs facing up toward ribs on head (74).
2. Replace three bolts (100) and use 1/2 in. socket to tighten into head (74). Torque all three bolts to 75 in-lb, then torque all bolts again to 210 in-lb.
3. Replace **Compressor**, page 10.
4. Replace **RotoFlex™ II Pump hose**; page 9.
5. Replace **Shroud**, page 8.

Motor

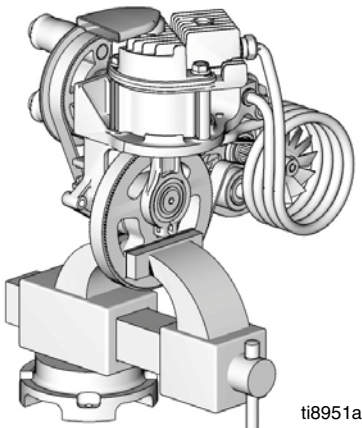
Use Motor Repair Kit 288613.

Disassembly

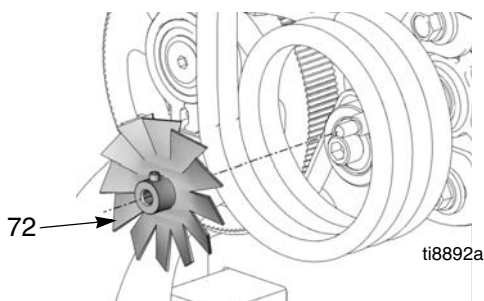
1. Relieve Pressure, page 7.
2. Unplug sprayer from outlet.



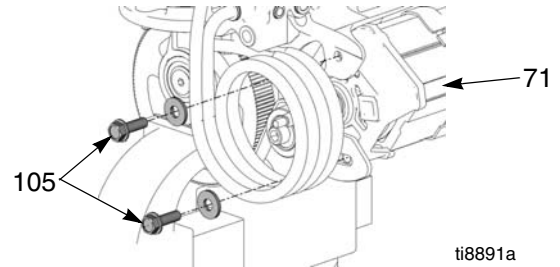
3. Remove **Shroud**, page 8.
4. Remove **RotoFlex™ II Pump hose**; page 9.
5. Remove **Compressor**, page 10.
6. Remove compressor from sprayer body and place it in a vice. Tighten the vice onto the main pulley to hold the compressor in place while servicing motor.



7. Loosen set screw and remove fan (72).

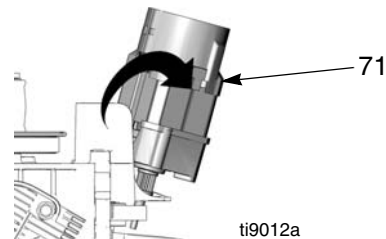


8. Use a box end wrench to loosen and remove two mounting bolts (105) on motor (71).



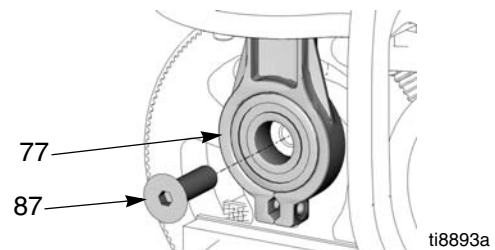
NOTE: Be careful not to bend or damage the cooling tube when removing it from the motor.

9. Angle motor (71) and slide motor pulley through compressor belt to remove motor from compressor.

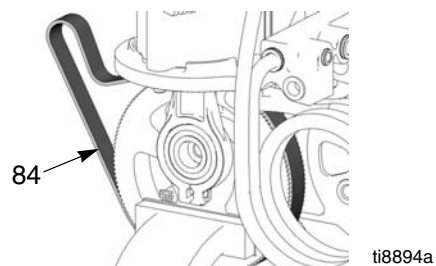


NOTE: Compressor belt (84) should be replaced every time motor is replaced.

10. Use 7/32 in. allen wrench to remove hex screw (87) from piston rod (77).

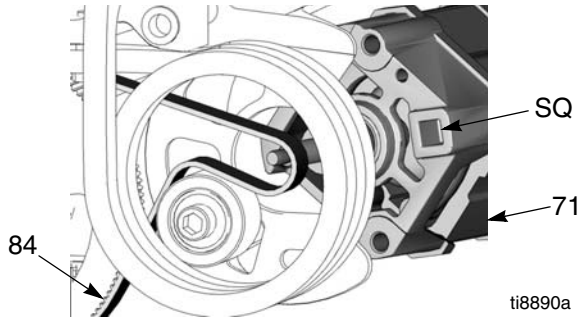


11. Remove compressor belt (84).



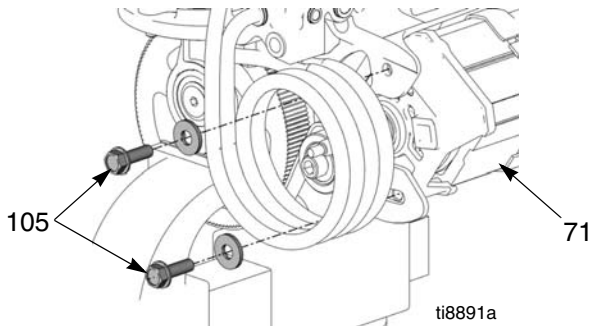
Reassembly

1. Angle motor pulley through compressor belt (84) and pull motor (71) into position.

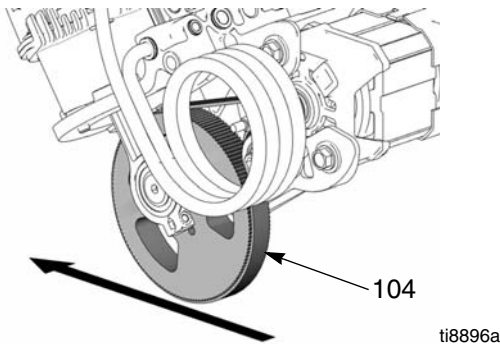


NOTE: When replacing motor (71), make sure the square-shaped hole (SQ) is facing toward the outside of the compressor. This hole will be used to torque the mounting bolts.

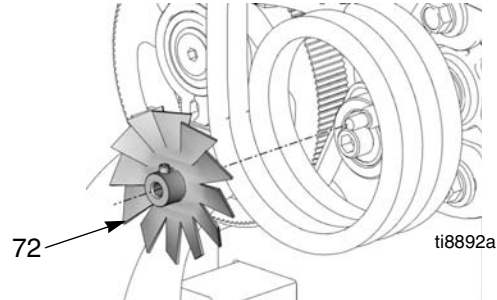
2. Tighten two mounting bolts (105) on motor (71) until snug, then back 1/8 of a turn.



3. Insert torque wrench into square hole (SQ) on motor and torque motor to 130-150 in-lb (this may require two people; one to torque while the other tightens mounting bolts). Tighten motor bolts (105).
4. Take compressor out of vice and rotate pump pulley (104) one full revolution to seat the belt properly.



5. Place compressor back into vice and torque bolts as described in steps 2 and 3.
6. Replace fan (72) and tighten set screw.



7. Replace **Compressor**; page 10.
8. Replace **RotoFlex™ II Pump hose**; page 9.
9. Replace **Shroud**, page 8.

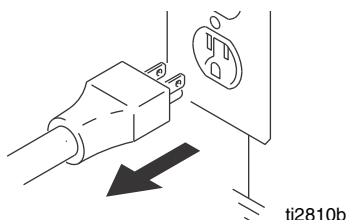
Cooling Tube

Use Cooler Repair Kit 288614.

<p>The cooling tube is extremely hot and can cause serious burns. Allow unit to completely cool before servicing the cooling tube.</p>		

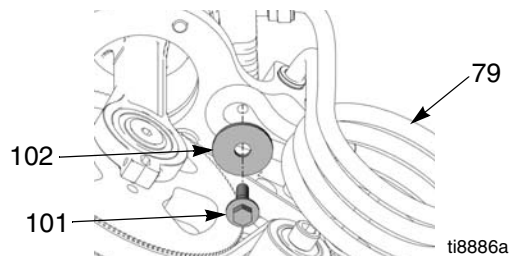
Disassembly

1. **Relieve Pressure, page 7.**
2. Unplug sprayer from outlet.



3. Remove **Shroud, page 8.**
4. Remove **RotoFlex™ II Pump hose; page 9.**
5. Remove **Compressor, page 10.**

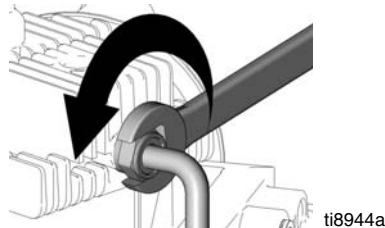
6. Use 3/8 in. socket to remove screw (101) and washer (102) under cooling tube (79).



7. Use wrench to push against fitting (86) and carefully pull cooling tube (79) out.

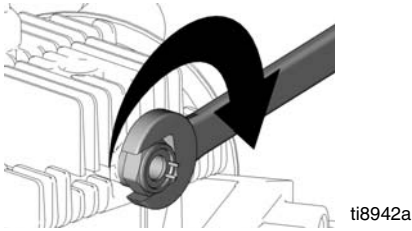


8. Use 5/8 in. wrench to unscrew cooling tube fitting.

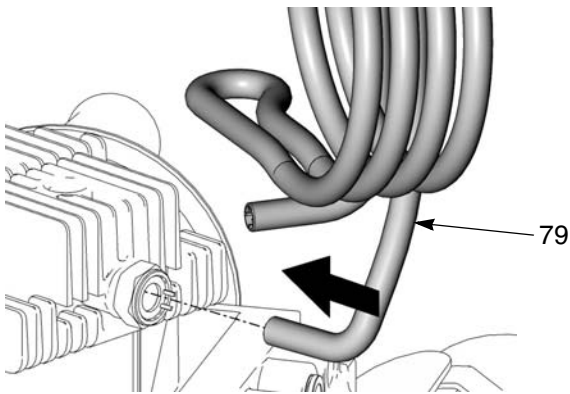


Reassembly

1. Insert new cooling tube fitting and use 5/8 in. wrench to tighten.



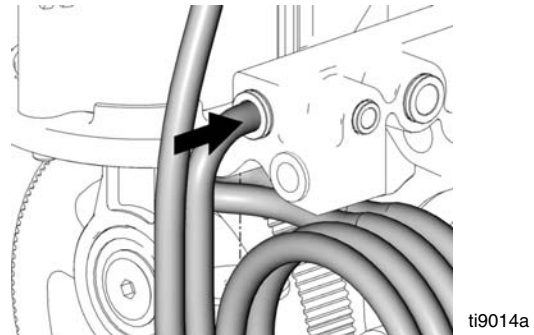
2. Insert cooling tube (79) and push into new fitting (86). Make sure tube is fully seated.



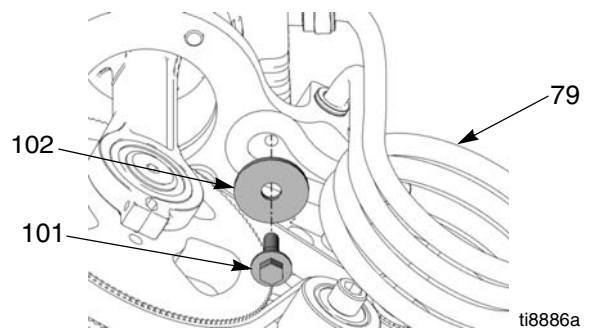
NOTICE

When replacing cooling tube, make sure coil is facing up when you push the tubing into the fitting. If you push from any other angle you could bend or damage the tube.

3. Rotate cooling tube around and insert free end into push-to-connect fitting. Make sure tube is fully inserted.



4. Replace screw (101) and washer (102) under cooling tube (79) and use 3/8 in. socket to tighten.



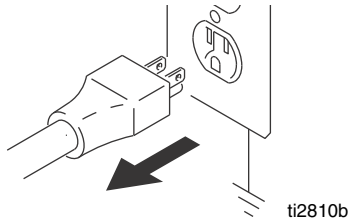
5. Replace **Compressor**; page 10.
6. Replace **RotoFlex™ II Pump hose**; page 9.
7. Replace **Shroud**, page 8.

Idler

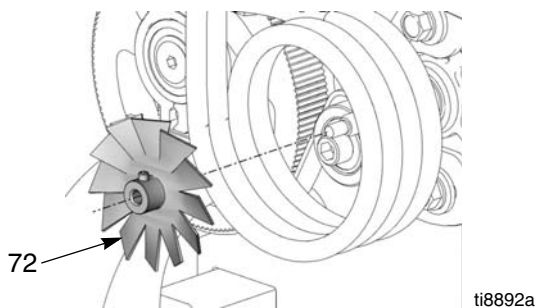
Use Idler Repair Kit 288611.

Disassembly

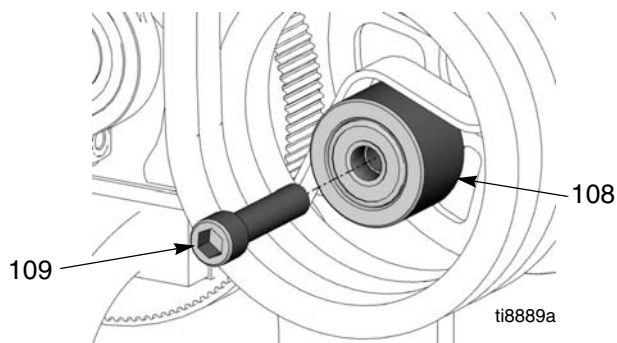
1. **Relieve Pressure, page 7.**
2. Unplug sprayer from outlet.



3. Remove **Shroud, page 8.**
4. Remove **RotoFlex™ II Pump hose; page 9.**
5. Remove **Compressor, page 10.**
6. Remove **Compressor Belt, page 15.**
7. Loosen set screw and remove fan (72).



8. Loosen screw (109) and remove Idler (108).



NOTE: Every time you replace the Idler you should also replace the **Compressor Belt, page 15.**

Reassembly

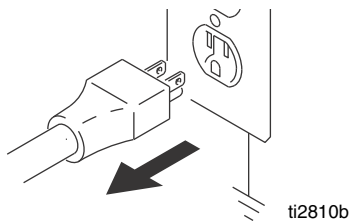
1. Install new **Compressor Belt, page 15.**
2. Replace new Idler (108) and tighten screw (109).
3. Replace fan (72) and tighten set screw.
4. Replace **Compressor, page 10.**
5. Replace **RotoFlex™ II Pump hose; page 9.**
6. Replace **Shroud, page 8.**

Roller Pulley/Belt

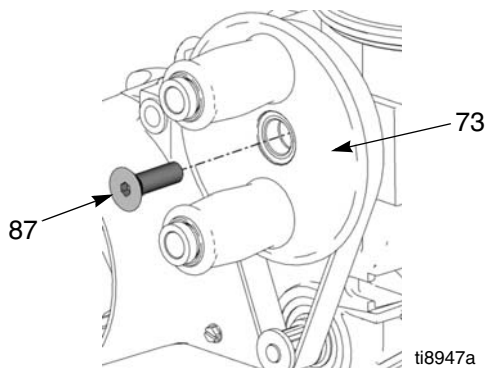
Use Roller Pulley Repair Kit 288616.

Disassembly

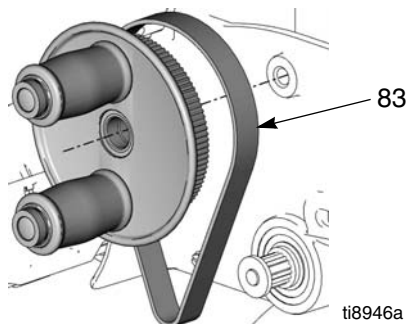
1. **Relieve Pressure, page 7.**
2. Unplug sprayer from outlet.



3. Remove **Shroud, page 8.**
4. Remove **RotoFlex™ II Pump hose; page 9.**
5. Remove **Compressor, page 10.**
6. Use 7/32 in. allen wrench to loosen roller mounting bolt (87) and remove roller pulley (73).



7. Remove belt (83) and discard.



NOTE: Every time you replace the roller pulley, you should also replace the belt.

Reassembly

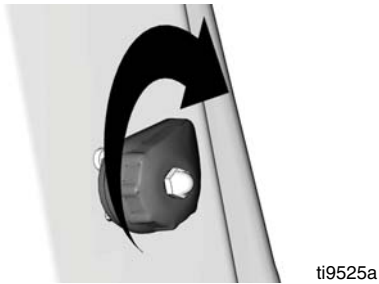
1. Install new compressor belt (83).
2. Loop belt over roller pulley and align roller with bolt hole.
3. Use 7/32 in. allen wrench to tighten bolt (87) to 20 ± 2 ft-lb.
4. Replace **Compressor, page 10.**
5. Replace **RotoFlex™ II Pump hose; page 9.**
6. Replace **Shroud, page 8.**

Selector Switch Knob

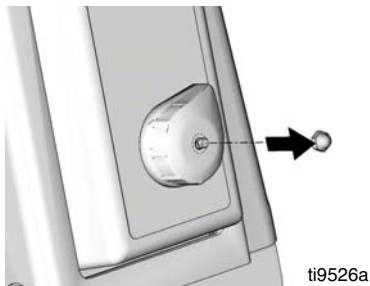
Use Knob Repair Kit 288756.

Disassembly

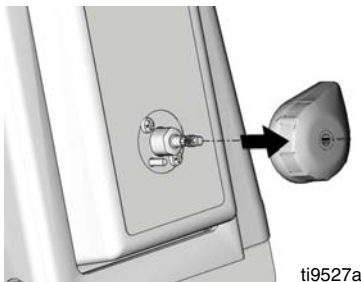
1. Turn selector switch knob clockwise as far as it will go.



2. Use wrench to remove nut from knob.



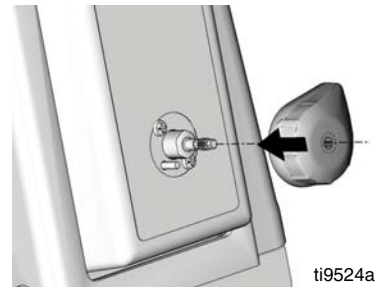
3. Pull knob straight off from sprayer.



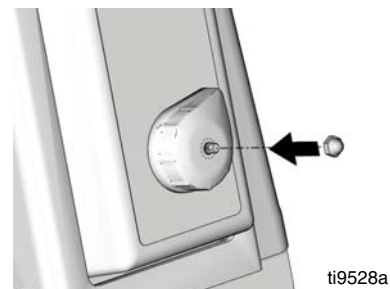
NOTE: Once knob has been removed, don't move the exposed spline. If it is moved, use your fingers to turn it clockwise as far as it will go for a tight fit prior to reassembly of knob. This will properly align knob to spline.

Assembly

1. Position new knob to point right (approximately 45° from vertical) and slide it onto exposed spline.



2. Apply Locktite (1 drop or small amount) to knob nut and tighten with wrench.



Regulator Valve

Use Regulator Repair Kit 288757

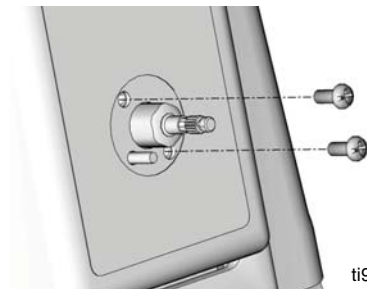
Disassembly

1. Remove **Knob**, page 21.
2. Remove **Shroud**, page 8.
3. Use wrench to push against fitting (86) and carefully pull cooling tube (79) out.



ti8952a

4. Use phillips screwdriver to remove two screws.

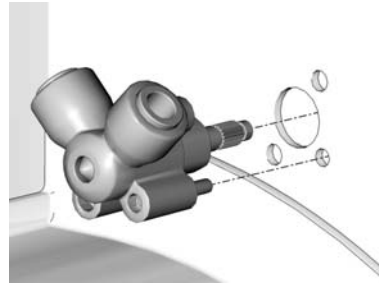


ti9437a

5. Remove old regulator valve.

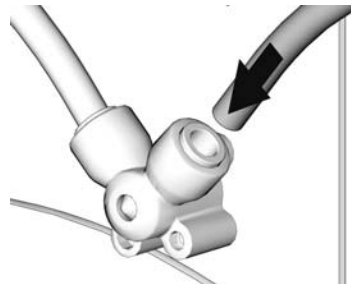
Assembly

1. Replace new regulator valve and feed through 3 holes on side of sprayer.



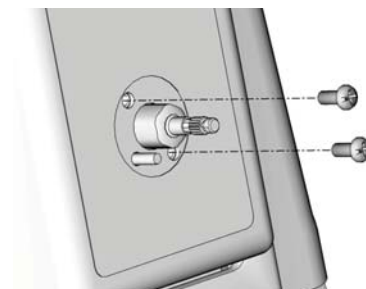
ti9282a

2. Reattach two air lines.



ti9275a

3. Replace two screws and tighten with phillips screwdriver.



ti9437a

4. Replace **Knob**, page 21.
5. Replace **Shroud**, page 8.

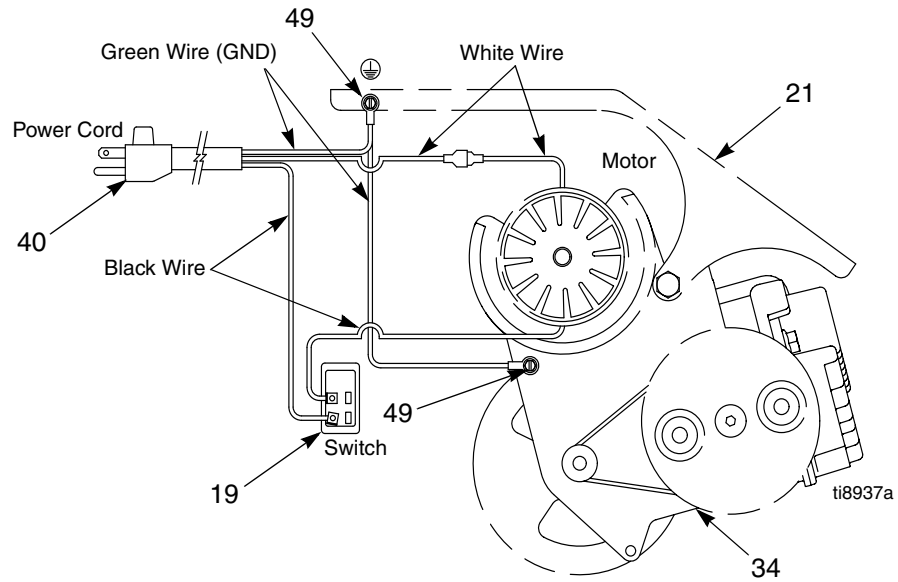
Troubleshooting



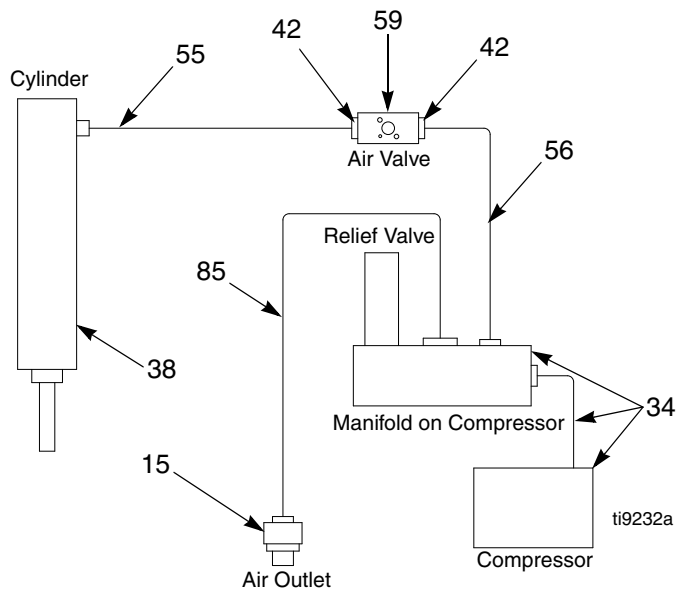
Problem	Cause	Solution
Sprayer won't run	Power switch not on	Turn switch ON.
	No power at wall outlet	Check outlet by plugging in another appliance. If appliance does not work, try another outlet.
	Wrong size generator	Use a 3500 watt or larger generator. Refer to Generator Requirements, page 7.
	Breaker tripped	Reset breaker.
Pump won't pump material	Air lock	Open air valve on gun.
	Selector switch in wrong position	Move selector switch to correct position for application.
	Mix too thick	Add water to thin material. Use Material Thickness Gauge.
	Loose fittings	Check and retighten all fittings.
	Plugged gun	Relieve Pressure, page 7. Remove gun from hose. Clean gun.
	Pump hose worn out	Replace hose. Recommended hose replacement - once every year.
	Pump cold	Move pump to warm room and allow it to warm up or run hot water through sprayer.
Material runs out of bottom of sprayer	Pump hose worn out	Replace hose.
	Loose fittings	Check and retighten all fittings.
No air from compressor	Gun air valve closed	Open gun air valve.
	Low voltage	Check extension cord length and gauge. Replace if different than recommended. Refer to Grounding and Electrical Requirements, page 7.
	Gun needle plugged	Clean needle and retry.
	Worn compressor	Replace compressor. Contact an authorized Airlessco Service Center.
	Lines not connected	Check all quick disconnect connections to gun and hoses.
	Damaged hose	Replace hose.

Problem	Cause	Solution
Speed of application slow or slower	Material too thick	Thin material.
	Nozzle too small	Change nozzles to a larger size. See Operation manual 311768.
	Too much air being used.	Partially close gun air valve to reduce air flow.
	Pump hose worn	Replace hose.
	Plugged or dirty gun	Relieve Pressure, page 7. Clean gun.
	Kinked hose	Unkink hose.
	Gun adjustment set too low	Increase flow adjustment with flow adjustment nut.
	Too many items on same circuit	Unplug other items from circuit.
	Extension cord too long or wrong gauge	Use a different extension cord. Refer to Grounding and Electric Requirements, page 7.
Intermittent flow/sputtering	Hopper connection not tight	Check gasket. Tighten connection.
	Debris in system	Clean system.
Quick disconnect does not stay connected.	Dirty or corroded fitting	Clean thoroughly. Soak in oil. Apply a few drops of light oil.
Gun will not shut off	Worn nozzle or needle.	Relieve Pressure, page 7. Replace worn parts.
	Debris in needle passage	Relieve Pressure, page 7. Clean.
Fluid leaking at Flow Adjustment Nut	Damaged seal.	Relieve Pressure, page 7. Replace seal.
Fluid leaking out of either plug	Missing or damaged o-rings	Relieve Pressure, page 7. Replace o-rings.
	Gun damaged	Replace gun.
Needle adjustment won't adjust	Dirty threads	Clean threads.
	Nozzle not on gun	Put nozzle on gun.

Wiring Diagram

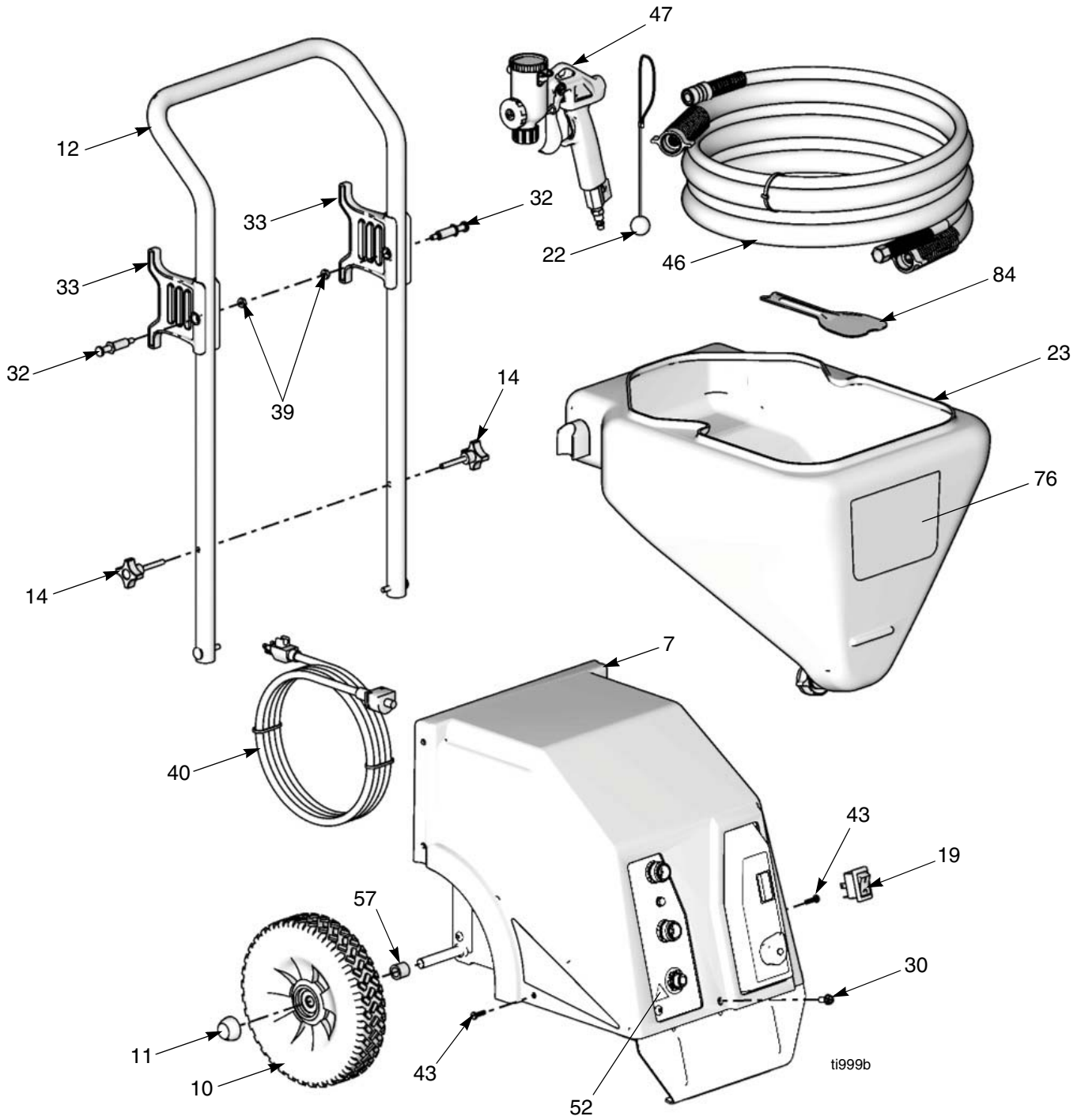


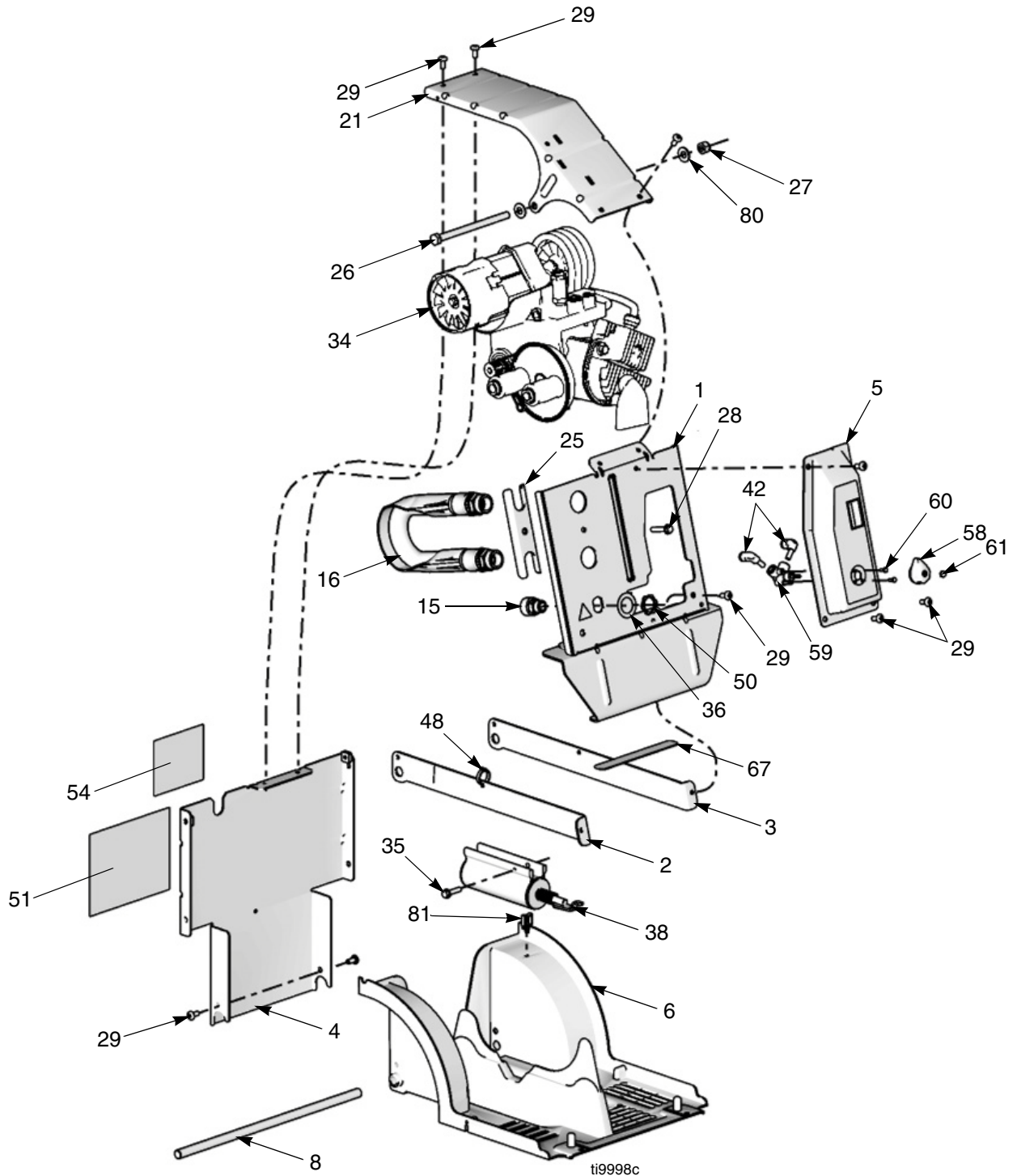
Air Diagram



Parts

Models 24F566



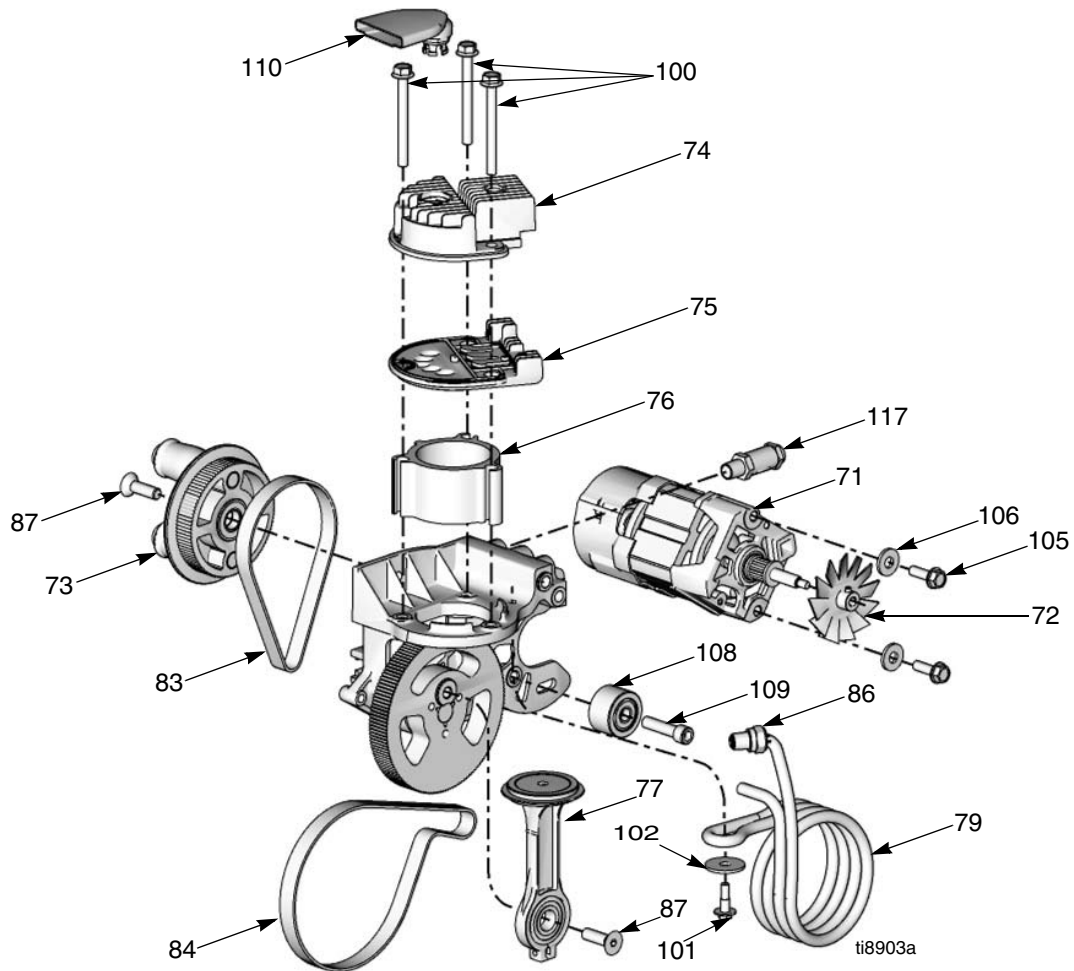


Models 24F566

Ref.	Part	Description	Qty.	Ref.	Part	Description	Qty.
1	15R254	FRAME	1				
2	15H607	FRAME, bottom, right	1	39	100015	NUT, hex, jam	2
3	15H606	FRAME, bottom, left	1	40	16M501	CORD, power	1
4	288390	FRAME, back, texfinish, black	1	42	113318	FITTING, elbow, plug in	2
5	15J665	PANEL, control, texfinish, black	1	43	120994	SCREW, mach, pnh	2
6	277319	SHIELD, bottom	1	44	276906	HOPPER, texture, .75 GAL	1
7	288903	SHIELD, top	1	45	288905	GUN, spray, texture, w/hopper	1
8	15H136	ROD, axle, texfinish	1	45a	287967	PIN, gun clip	1
10	115095	WHEEL, 9	2	45b	234188	CLAMP	1
11	112612	CAP, hub	2	45c	15B167	PLUG, gun	1
12	288313	HANDLE, painted	1	46	234149	HOSE	1
14	15H641	KNOB	2	47	255170	GUN, spray	1
15	288336	FITTING, bulkhead, assembly	1	48	103473	STRAP, tie, wire	2
16	288623	HOSE, pump (Roto-Flex™)	1	49	115498	SCREW, mach, slot hex wash hd	2
19	120660	SWITCH	1	50	104227	NUT, lock	1
20	15H240	BAG, mesh	1	51▲	15H841	LABEL	1
21	15H910	BRACKET, pump	1	52▲	15K616	LABEL, caution	1
22	15C090	GAUGE, thickness, fluid	1	54	15H868	LABEL	1
23	288162	HOPPER, 8 gallon	1	55	120751	TUBE, air, .250 od	1
25	15J500	BRACKET, hose	1	56	120752	TUBE, air, .250 od	1
26	105240	SCREW, cap hex hd	1	57	195367	SPACER	2
27	113981	NUT, lock, high tensile	1	58	288756	KIT, repair, knob (includes 58, 61)	1
28	120444	SCREW, hex hd, flanged	1	59	288757	KIT, repair, regulator (includes 59, 60)	1
29	117630	SCREW, torx, tri lob	12	60	120744	SCREW, #6 pan, tri lobe	2
30	117633	SCREW, slot hex wash hd	1	61	120637	NUT, acorn	1
32	15K289	BOLT, cord hanger	2	67	120759	PAD, non-slip, foot	1
33	15K284	HANGER, cord	2	76	16F595	LABEL, Front	1
34	288856	COMPRESSOR, pump assembly, 45 psi	1	80	120215	WASHER, belleville	2
35	120236	SCREW, shoulder	1	81	117727	CLIP, wire	1
36	120731	WASHER, flat, thin	1	84	15H912	GUARD, burp	1
38	289591	CYLINDER	1	85	120567	TUBE, air, .250 OD	1

▲ Additional warning labels are available at no cost.

Compressor 288856



Ref.	Part	Description	Qty.	Ref.	Part	Description	Qty.
	288856	KIT, repair, compressor, complete; (includes all items)		84	120233	BELT	1
	288612	KIT, repair, compressor, rebuild (includes 100, 74, 86, 75, 76, 77, 87)		86	120245	FITTING	1
71	288613	KIT, repair, motor, universal, 120v (includes 71, 84, 105, 106)	1	87	120204	SCREW, mach, hex flat head	2
72	120466	FAN	1	95	120593	SCREW, mach, torx pan hd	3
73	288616	KIT, repair, pulley, w/rollers (includes 73, 83, 87)	1	100	120229	SCREW, hex flange	3
74	288746	HEAD, compressor (includes 74, 75)	1	101	119872	SCREW, shoulder	1
75	288610	KIT, repair, plate, valve (includes 76)	1	102	120659	WASHER, flat	1
76		CYLINDER, compressor	1	105	260215	SCREW, hex hd	2
77	288609	KIT, repair, piston/cylinder (includes 75, 76, 77, 87)	1	106	100023	WASHER, flat	2
79	288614	KIT, repair, cooler (includes 79, 86)	1	108	288611	KIT, repair, idler (includes 108, 84)	1
83	120234	BELT	1	109	104272	SCREW, cap, sch	1
				110	15H940	FITTING, muffler, intake	1
				117		VALVE, pressure relief	1
					120251	TS900 Models (Compressor 288856)	

Technical Data

Main unit power requirements	120 Vac, 60 Hz, 15A, 1 phase
Maximum fluid working pressure	60 psi, (4.2 bar)
Maximum air working pressure	50 psi, (3.5 bar)
Compressor specifications	Universal motor thermally protected, oil-less
Compressor air displacement	4.0 scfm at 45 psi
Generator required	3500W minimum
Electric Motor	Universal AC 14 Amp 1.5 Hp
Power Cord	16 AWG, 3-wire, 25 ft
Material hopper capacity	Model 24F566: 8 gallons Gun material hopper: 3/4 gallon
Maximum delivery with texture	TS900 - 0.9 gpm (3.4 lpm)
Dimensions: TS900	
Length	23 in. (584 mm) with handle
Width	15.5 in. (393 mm)
Height	40.5 in. (1028 mm)
Weight (includes hose and gun)	60 lb (27.2 kg)
Wetted parts	brass, aluminum, plastic
Sound data	
Sound pressure level*	83.2 dB(A)
Sound power level**	97.5 dB(A)
Storage Temperature Range	35°F - 160°F (1.6°C - 71°C)
Operating Temperature Range	40°F - 115°F (4°C - 46°C)
Gun:	
Maximum Working Pressure	70 psi (4.9 bar)
Air Maximum Working Pressure	100 psi (6.895 bar)
CFM Rating	3.5 - 11 CFM
Weight	1.1 lb (500 g)

* Measured while spraying at 1 m

** Measured per ISO-3744

Airlessco Standard Warranty

Airlessco warrants all equipment referenced in this document which is manufactured by Airlessco and bearing its name to be free from defects in material and workmanship on the date of sale to the original purchaser for use. With the exception of any special, extended, or limited warranty published by Airlessco, Airlessco will, for a period of twelve months from the date of sale, repair or replace any part of the equipment determined by Airlessco to be defective. This warranty applies only when the equipment is installed, operated and maintained in accordance with Airlessco's written recommendations.

This warranty does not cover, and Airlessco shall not be liable for general wear and tear, or any malfunction, damage or wear caused by faulty installation, misapplication, abrasion, corrosion, inadequate or improper maintenance, negligence, accident, tampering, or substitution of non-Airlessco component parts. Nor shall Airlessco be liable for malfunction, damage or wear caused by the incompatibility of Airlessco equipment with structures, accessories, equipment or materials not supplied by Airlessco, or the improper design, manufacture, installation, operation or maintenance of structures, accessories, equipment or materials not supplied by Airlessco.

This warranty is conditioned upon the prepaid return of the equipment claimed to be defective to an authorized Airlessco distributor for verification of the claimed defect. If the claimed defect is verified, Airlessco will repair or replace free of charge any defective parts. The equipment will be returned to the original purchaser transportation prepaid. If inspection of the equipment does not disclose any defect in material or workmanship, repairs will be made at a reasonable charge, which charges may include the costs of parts, labor, and transportation.

THIS WARRANTY IS EXCLUSIVE, AND IS IN LIEU OF ANY OTHER WARRANTIES, EXPRESS OR IMPLIED, INCLUDING BUT NOT LIMITED TO WARRANTY OF MERCHANTABILITY OR WARRANTY OF FITNESS FOR A PARTICULAR PURPOSE.

Airlessco's sole obligation and buyer's sole remedy for any breach of warranty shall be as set forth above. The buyer agrees that no other remedy (including, but not limited to, incidental or consequential damages for lost profits, lost sales, injury to person or property, or any other incidental or consequential loss) shall be available. Any action for breach of warranty must be brought within two (2) years of the date of sale.

AIRLESSCO MAKES NO WARRANTY, AND DISCLAIMS ALL IMPLIED WARRANTIES OF MERCHANTABILITY AND FITNESS FOR A PARTICULAR PURPOSE, IN CONNECTION WITH ACCESSORIES, EQUIPMENT, MATERIALS OR COMPONENTS SOLD BUT NOT MANUFACTURED BY Airlessco. These items sold, but not manufactured by Airlessco (such as electric motors, switches, hose, etc.), are subject to the warranty, if any, of their manufacturer. Airlessco will provide purchaser with reasonable assistance in making any claim for breach of these warranties.

In no event will Airlessco be liable for indirect, incidental, special or consequential damages resulting from Airlessco supplying equipment hereunder, or the furnishing, performance, or use of any products or other goods sold hereto, whether due to a breach of contract, breach of warranty, the negligence of Airlessco, or otherwise.

FOR AIRLESSCO CANADA CUSTOMERS

The Parties acknowledge that they have required that the present document, as well as all documents, notices and legal proceedings entered into, given or instituted pursuant hereto or relating directly or indirectly hereto, be drawn up in English. Les parties reconnaissent avoir convenu que la rédaction du présente document sera en Anglais, ainsi que tous documents, avis et procédures judiciaires exécutés, donnés ou intentés, à la suite de ou en rapport, directement ou indirectement, avec les procédures concernées.

TO PLACE AN ORDER OR FOR SERVICE, contact your Airlessco distributor,
or call 1-800-223-8213 to identify the nearest distributor.

*All written and visual data contained in this document reflects the latest product information available at the time of publication.
Airlessco reserves the right to make changes at any time without notice.*

For patent information, see www.graco.com/patents.

Original Instructions. This manual contains English. MM 3A1171
Airlessco, 3501 N. 4th Avenue, Sioux Falls, SD 57104

Copyright 2010, Graco Inc. is registered to ISO 9001

www.airlessco.com

January 2013