


Parts List



Ultimate Mx II

311437E

3300 psi (228 bar, 22.8 MPa) Maximum Working Pressure

Vac	Model	Type	Lo-Boy	Hi-Boy
Sherwin Williams 120V 	695	Standard	826068	826067
		Premium	826070	826069
	795	Standard		826071
		Premium		826072
	1095	Standard		826073
		Premium		826074
	1595	Standard		826082
		Premium		826081
Sherwin Williams 120V	1595	Standard		826075
		Premium		826076

PROVEN QUALITY. LEADING TECHNOLOGY.

Parts List - Sprayer

Ultimate Mx II 695 Lo-Boy:

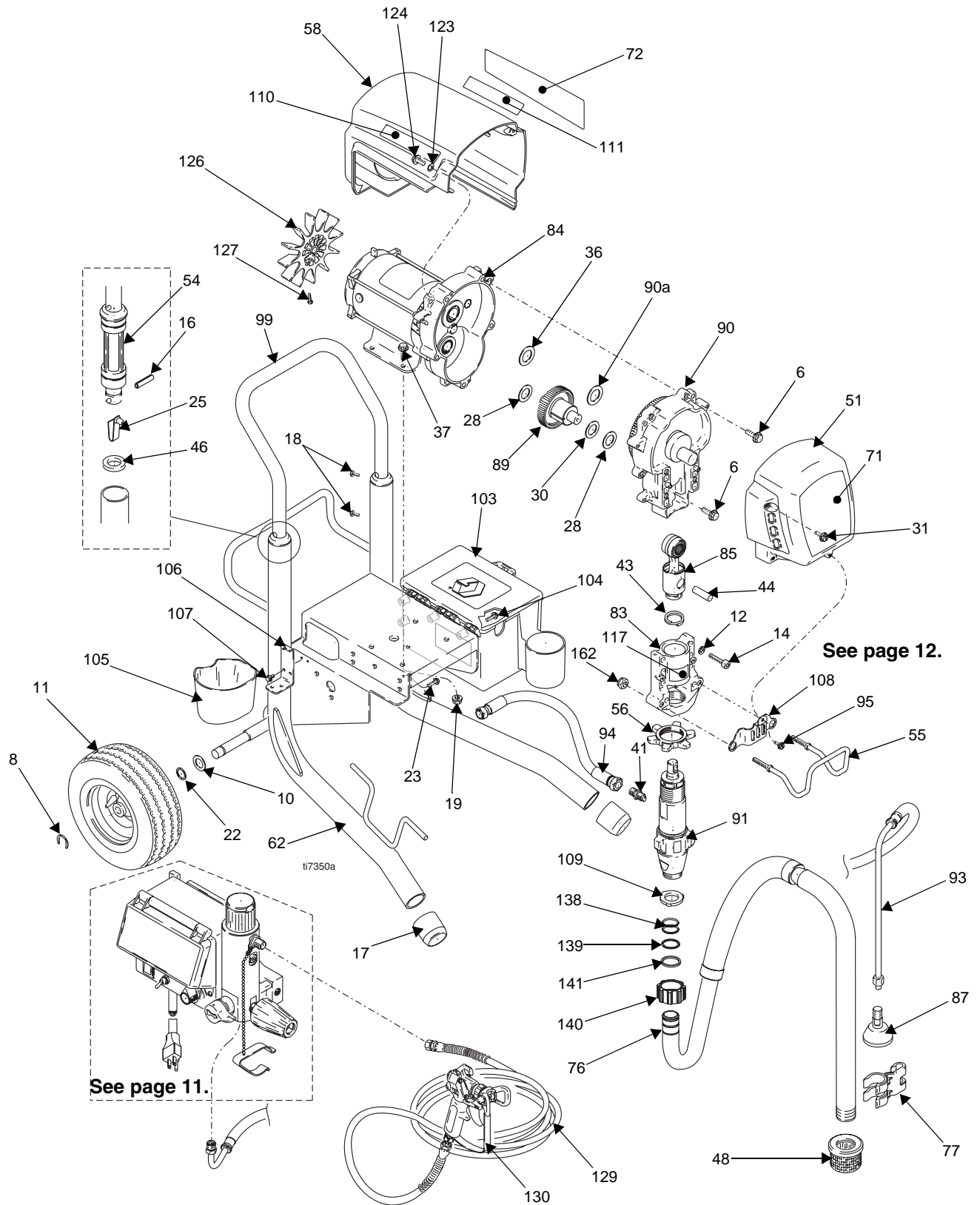
Ref No.	Part No.	Description	Qty	Ref No.	Part No.	Description	Qty
6	15C753	SCREW, mach, torx, hex	5	89	287289	GEAR, combination; <i>includes 28, 30</i>	1
8	15E891	CLIP, retaining	2	90	287283	HOUSING, drive, M1; <i>includes 6, 36, 90a</i>	1
10	156306	WASHER, flat	2	91	248204	PUMP, displacement; <i>includes 109</i>	1
11*	119420	WHEEL, pneumatic	2	93	248217	HOSE, drain; <i>includes 87</i>	1
12	106115	WASH, lock, spring	4	94	15D049	HOSE, coupled, 1/4 x 15.75	1
14	107210	SCREW, cap, socket hd	4	95	114000	SCREW, control housing	1
16	101354	PIN, spring, straight	2	99	15G023	HANDLE, cart	1
17	15C871	CAP, leg	2	103†	287253	TOOL BOX; <i>includes 104</i>	1
18	109032	SCREW, mach, pnh	4	104†	118852	SCREW, machine, hex washer	3
19	110996	NUT, hex, flanged	2	105	276975	CUP, drain	1
22	116038	WASHER, wave spring	4	106	15F952	BRACKET, drain cup	1
23	110963	SCREW, cap, flng hd	2	107	114423	SCREW, mach, hex hd	2
25	112827	BUTTON, snap	2	108	15C859	SHIELD, pump rod	1
28	114672	WASHER, thrust	2	109	115099	WASHER, garden hose	1
30	114699	WASHER, thrust	1	110		LABEL, standard, left	1
31	118444	SCREW, machine, hex washer hd	4		15D724	Standard	
36	116191	WASHER, thrust	1		15D722	Premium	
37	100057	SCREW, cap, hex hd	4	111		LABEL, standard, right	1
41	162453	FITTING, (1/4 NPSM x 1/4 NPT)	1		15D723	Standard	
43	176817	SPRING, retaining	1		15D721	Premium	
44	176818	PIN, str, hdls	1	117	187436	LABEL, torque	1
46	183350	WASHER	2	123	276980	GROMMET, cover	2
48	189920	STRAINER, (1-11 1/2 NPSM)	1	124	119250	SCREW, shoulder, hex washer	2
51	287291	COVER, drive, plastic, painted; <i>includes 31, 95</i>	1	126	15D088	FAN, motor	1
54	192027	SLEEVE, cart	2	127	115477	SCREW, mach, torx, pan hd	1
55	15D416	HANGER, pail	1	128▲	222385	TAG, WARNING (not shown)	1
56	192723	NUT, retaining	1	129†	826079	HOSE, cpld, 1/4 in. x 50 ft	1
58	287281	SHIELD, motor, painted; <i>includes 31</i>	1	130†	246220	GUN, contractor Manual 309640	1
62	287800	FRAME, cart	1	138	117559	O-RING	2
71	824995	LABEL 695	1	139	118505	RING, retaining, external	1
72	824996	LABEL 695	1	140	15C980	NUT, jam	1
76	248216	HOSE, suction; <i>includes 109, 138, 134, 140, 141</i>	1	141	15C981	WASHER, suction swivel	1
77	15D000	CLIP, drain line	1	162	112746	NUT, hex	2
83	240523	HOUSING, bearing; <i>includes 162, 55</i>	1				
84	287197	MOTOR, electric	1				
85	241008	ROD, connecting; <i>includes 43</i>	1				
87	241920	DEFLECTOR, threaded	1				

* 253132 KIT, repair, tube, 11 in.

▲ Extra Danger and Warning tags and labels available free.

† Premium Sprayers

Parts Drawing - Sprayer



Parts List - Sprayer

Ultimate Mx II 695/795 Hi-Boy:

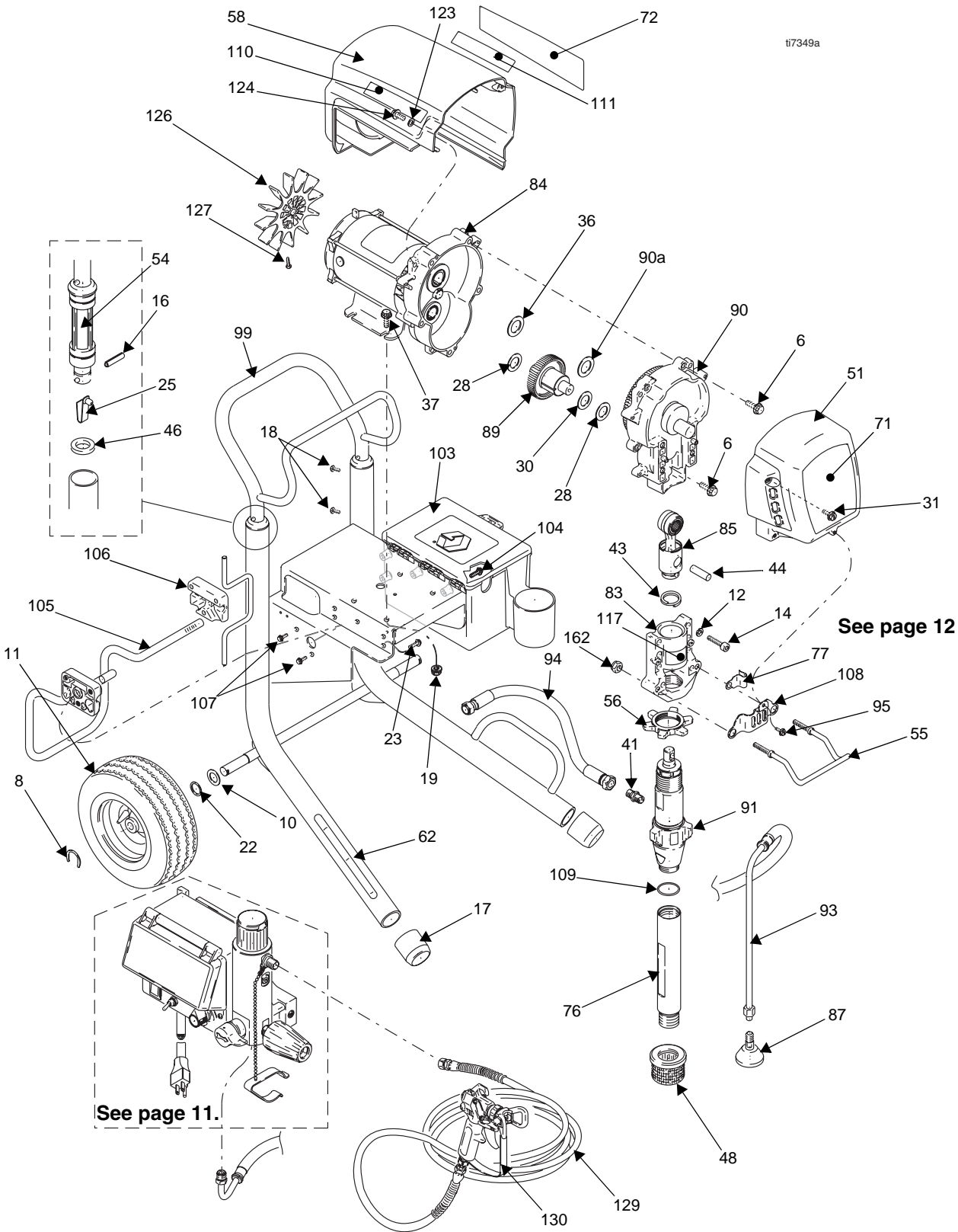
Ref No.	Part No.	Description	Qty	Ref No.	Part No.	Description	Qty
6	15C753	SCREW, mach, torx, hex	5	85	241008	ROD, connecting; <i>includes 43</i>	1
8	15E891	CLIP, retaining	2	87	241920	DEFLECTOR, threaded	1
10	156306	WASHER, flat	2	89	287289	GEAR, combination;	1
11*	119420	WHEEL, pneumatic	2			<i>includes 28, 30</i>	
12	106115	WASH, lock, spring	4	90		HOUSING, drive, M1;	1
14	107210	SCREW, cap, socket hd	4			<i>includes 6, 36, 90a</i>	
16	101354	PIN, spring, straight	2	287283	695		
17	15C871	CAP, leg	2	287284	795		
18	109032	SCREW, mach, pnh	4	91	248204	PUMP, displacement 695/795;	1
19	110996	NUT, hex, flanged	4			<i>includes 109</i>	
22	116038	WASHER, wave spring	2	93	244240	HOSE, coupled; <i>includes 87</i>	1
23	110963	SCREW, cap, flng hd	2	94	15D049	HOSE, coupled, 1/4 x 15.75	1
25	112827	BUTTON, snap	2	95	114000	SCREW, control housing	1
28	114672	WASHER, thrust	2	99	245245	HANDLE, cart	1
30	114699	WASHER, thrust	1	103†	287253	TOOLBOX; <i>includes 104</i>	1
31	118444	SCREW, machine, hex washer hd	4	104†	118852	SCREW, hex washer hd	3
36	116191	WASHER, thrust	1	105	15D281	HANGER, stand, cart	1
37	100057	SCREW, cap, hex hd	4	106	15C982	CAM, cart	2
41	162453	FITTING, (1/4 NPSM x 1/4 NPT)	1	107	114531	SCREW, mach, hex washer	4
43	176817	SPRING, retaining	1	108	15C859	SHIELD, pump rod	1
44	176818	PIN, str, hdls	1	109	118494	PACKING, o-ring	1
46	183350	WASHER	2	110		LABEL, standard, left	1
48	189920	STRAINER, (1-11 1/2 NPSM)	1		15D724	Standard Models	
51	287291	COVER, drive, plastic, painted;	1		15D722	Premium Models	
		<i>includes 31, 95</i>		111		LABEL, standard, right	1
54	192027	SLEEVE, cart	2		15D723	Standard Models	
55	192719	HANGER, pail	1		15D721	Premium Models	
56	192723	NUT, retaining	1	117	187436	LABEL, torque	1
58		SHIELD, motor, painted;	1	123	276980	GROMMET, cover	2
		<i>includes 31</i>		124	119250	SCREW, shoulder, hex, washer	2
	287281	695		126	15D088	FAN, motor	1
	287282	795		127	115477	SCREW, mach, torx, pan, hd	1
62	287801	FRAME, cart	1	128▲	222385	TAG, WARNING (not shown)	1
71		LABEL, UltimateMx II	1	129†	826079	HOSE, cpld, 1/4 in. x 50 ft	1
	824995	695		130†	246220	GUN, contractor	1
	824998	795				Manual 309640	
72		LABEL, Ultimate Mx II	1	162	112746	NUT, hex	2
	824996	695					
	824999	795					
76	248214	TUBE, intake; <i>includes 109</i>	1				
77	197124	CLIP, spring	1				
83	240523	HOUSING, bearing;	1				
		<i>includes 55, 162</i>					
84		MOTOR, electric	1				
	287197	695					
	287198	795					

* 253132 KIT, repair, tube, 11 in.

▲ Extra Danger and Warning tags and labels available free.

† Premium Sprayers

Parts Drawing - Sprayer



Parts List - Sprayer

Ultimate Mx II 1095

Ultimate Mx II 1595

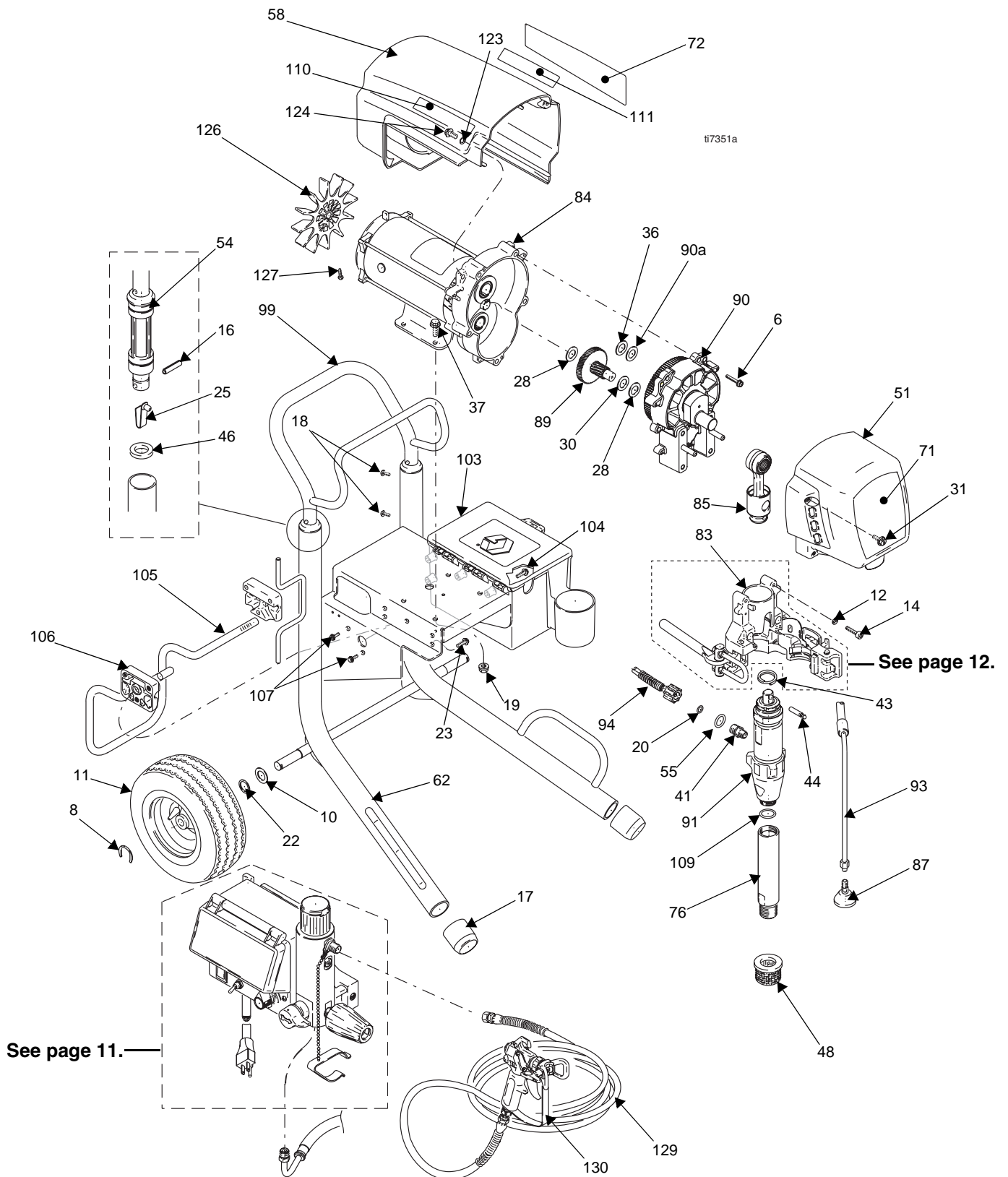
Ref No.	Part No.	Description	Qty	Ref No.	Part No.	Description	Qty
6	15C753	SCREW, mach, torx, hex	5	85	287472	ROD, connecting; <i>includes 43, 44</i>	1
8	15E891	CLIP, retaining	2	87	241920	DEFLECTOR, threaded	1
10	156306	WASHER, flat	2	89	287290	GEAR, combination; <i>includes 28, 30</i>	1
11*	119509	WHEEL, pneumatic	2	90		HOUSING, drive, M1; <i>includes 6, 36, 90a</i>	1
12	106115	WASH, lock, spring	4		287294	1095	
14	114666	SCREW, cap, socket hd	4		287295	1595	
16	101354	PIN, spring, straight	2	91	287513	PUMP, displacement; <i>includes 41, 76, 109</i>	1
17	276974	CAP, leg	2	93	287952	HOSE, drain; <i>includes 87</i>	1
18	108795	SCREW, mach, pnh	4	94	287803	HOSE, coupled	1
19	110996	NUT, hex, flanged	4	99	245245	HANDLE, cart	1
20	111457	O-RING	1	103†	287253	TOOLBOX; <i>includes 104</i>	1
22	116038	WASHER, wave spring	2	104†	118852	SCREW, hex washer hd	3
23	110963	SCREW, cap, flng hd	2	105	15C858	HANGER, stand, cart	1
25	112827	BUTTON, snap	2	106	15C982	CAM, cart	2
28	114672	WASHER, thrust	2	107	114531	SCREW, mach, hex washer	4
30	114699	WASHER, thrust	1	109	118494	PACKING, o-ring	1
31	118444	SCREW, machine, hex washer hd	4	110		LABEL, standard, left	1
36	116192	WASHER, thrust	1		15D724	Standard Models	
37	100057	SCREW, cap, hex hd	4		15D722	Premium Models	
41	15E802	FITTING, pump, quick disc	1	111		LABEL, standard, right	1
43	119778	SPRING, retaining	1		15D723	Standard Models	
44	15F110	PIN, pump	1		15D721	Premium Models	
46	183350	WASHER	2	123	276980	GROMMET, cover	2
48	189920	STRAINER, (1-11 1/2 NPSM)	1	124	119250	SCREW, shoulder, hex, washer	2
51	287292	COVER, drive, plastic, painted	1	126	15D088	FAN, motor	1
54	187604	SLEEVE, cart	2	127	115477	SCREW, mach, torx, pan, hd	1
55	119790	PACKING, o-ring	1	128▲	222385	TAG, WARNING (not shown)	1
58	287282	SHIELD, motor, painted	1	129†	826079	HOSE, cpld, 1/4 in. x 50 ft	1
62	287802	FRAME, cart 1095/1595	1	130†	246220	GUN, contractor Manual 309640	1
71		LABEL, UltraMax II 1095/1595	1				
	825011	1095					
	825014	1595					
72		LABEL, UltraMax II 1095/1595	1				
	825012	1095					
	825015	1595					
76	248215	TUBE, intake; <i>includes 109</i>	1				
83	287523	HOUSING, bearing	1				
84		MOTOR, electric; <i>includes 126, 127</i>	1				
	287199	1095					
	287200	1595					

* 253131 KIT, repair, tube, 13 in.

▲ Extra Danger and Warning tags and labels available free.

† Premium Sprayers

Parts Drawing - Sprayer



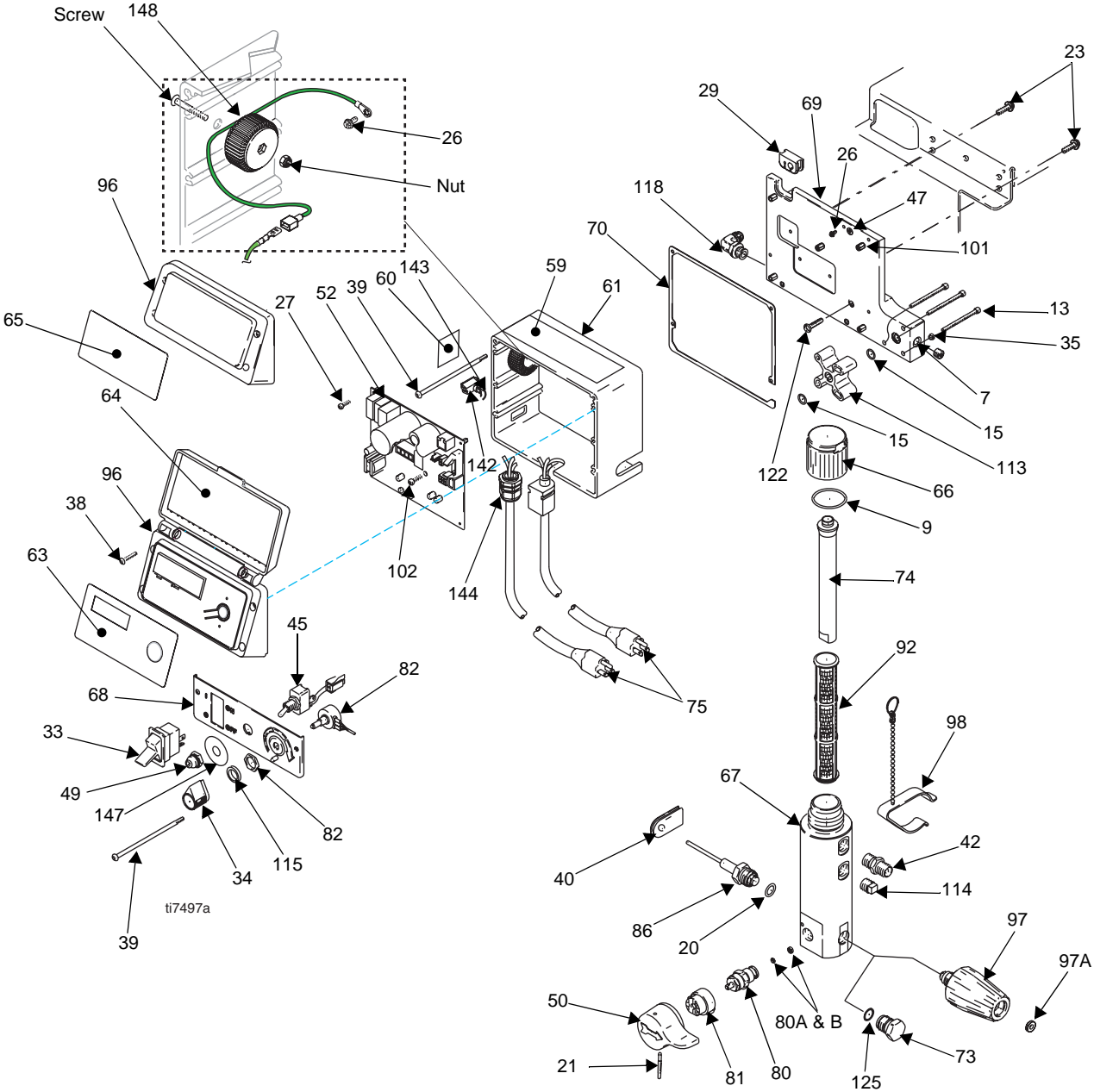
Parts List - Sprayer

Ultimate Mx II: 695/795/1095/1595

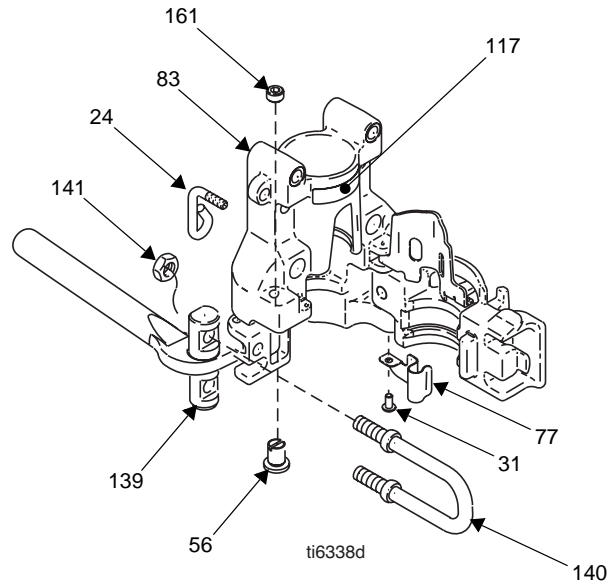
Ref No.	Part No.	Description	Qty	Ref No.	Part No.	Description	Qty
7	100721	PLUG, pipe	1	75		CORD, power	1
9	117285	PACKING, o-ring	1		15H064	695, 795, 1095	
13	C19817	SCREW, cap, socket	3		15H066	1595 ETLC	
15	107505	PACKING, o-ring	2		15H065	1595	
20	111457	PACKING, o-ring	2	80	235014	VALVE, prime; includes 80a, 80b	1
21	15C972	PIN, grooved	1	80a	111699	GASKET, seat, valve	
23	110963	SCREW, cap, flng	2	80b	15E022	SEAT, valve	
26	114391	SCREW, grounding	1	81	224807	BASE, valve	1
27	113045	SCREW, sems, mach, phillips	5	82	256219	POTENTIOMETER, assembly	1
29	15D087	GROMMET	1	86	243222	TRANSDUCER, pressure control; <i>includes 20</i>	1
33	15C979	SWITCH, rocker	1				
34	116167	KNOB, potentiometer	1	92		FILTER, fluid	1
35	105510	WASHER, lock, spring	3		244071	30 mesh	
38	116252	SCREW, #10 taptite phillips	4		244067	60 mesh, original equipment	
39	112381	SCREW, mach, pan hd	4		244068	100 mesh	
40	15D033	GROMMET, transducer	1		244069	200 mesh	
42	164672	NIPPLE, adapter	1	96		COVER, control	1
45	119541	SWITCH, toggle	1		15D456	Standard (Cover Only)	
47	186620	LABEL, symbol, ground	1		825026	Premium (Digital Control) <i>includes 38, 63, 64, 65</i>	
49	195428	BOOT, toggle	1				
50	15C780	HANDLE	1	97	287293	VALVE, Autoclean, Premium Models; <i>includes 97a</i>	1
52	287941	CONTROL, board; <i>includes 27, 1021</i>	1				
59▲	15D523	LABEL, warning	1	97a	15F950	GASKET	1
60▲	195833	LABEL, warning	1	98	244346	KIT, repair, clamp, trigger Premium Models	1
61		BOX, control	1				
	15G953	695, 795, 1095		101	15D160	STUD, board	5
	15G700	1595		102	114420	SCREW, mach, pmh, sems	1
63	198648	LABEL, LCD	1	113	15F844	SPACER, manifold	1
64	15D063	LABEL, instruction	1	114	104813	PLUG, pipe	1
65		LABEL, ctrl, box cover	1	115	15C973	GASKET	1
	196843	Premium Digital Display		118	116793	FITTING, elbow, hydraulic	1
	15B705	Standard		122	115478	SCREW, mach torx/slt	1
66	287285	CAP, filter; includes 9, 24	1	125	15D541	SEAL, washer	1
67	15C838	BASE, filter	1	142	120059	SWITCH, rocker, 1595	1
68	15G627	PANEL, control	1	143	15G935	CONNECTOR, electrical, 1595	1
69	15C840	PLATE, power bar	1	144	116171	BUSHING, strain relief, 1595	1
70	15D036	GASKET, control box	1	147	15G769	LABEL	1
73	248314	PLUG, Autoclean Standard; <i>includes 125</i>	1	148	287943	KIT, repair, coil; <i>includes Nut and Screw</i>	1
74	15C766	TUBE, diffusion	1				

▲ Extra Danger and Warning tags and labels available free.

Parts Drawing - Sprayer



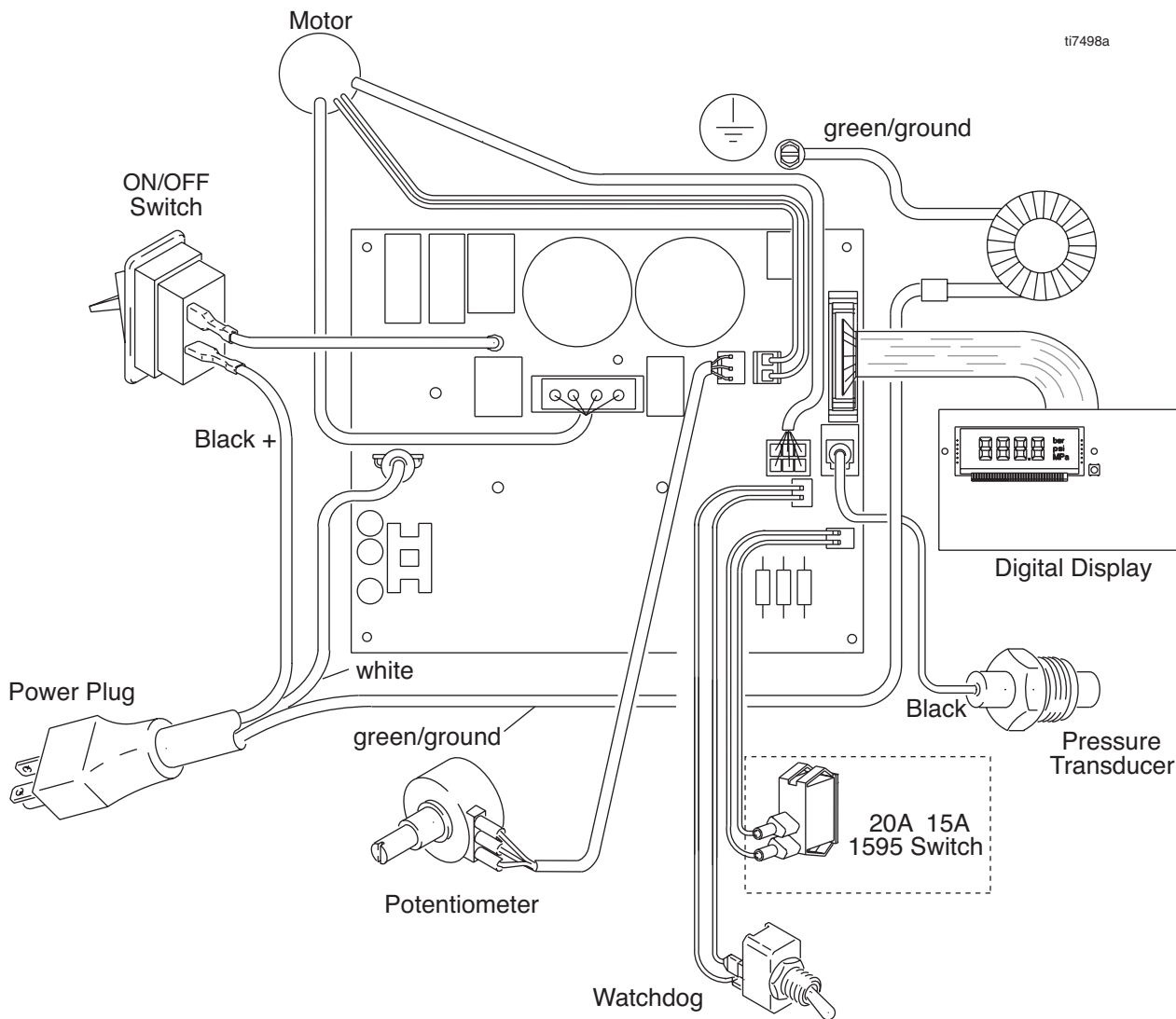
Parts Drawing - Bearing Housing



Parts List - Bearing Housing

Ref No.	Part No.	Description	Qty	Ref No.	Part No.	Description	Qty
24	15F116	LATCH, handle	1	117	187437	LABEL, torque	1
31	118444	SCREW, machine, hex washer	5	139	15E625	PIN, housing, bearing	1
56	15F498	SCREW, adjustment	1	140	15E687	LATCH, bearing housing	1
77	15E975	CLIP, spring	1	141	111040	NUT, lock, insert, nylock	2
83		HOUSING, bearing	1	161	15F503	SCREW, set, socket head	1

Wiring Diagram



Graco Standard Warranty

Graco warrants all equipment referenced in this document which is manufactured by Graco and bearing its name to be free from defects in material and workmanship on the date of sale to the original purchaser for use. With the exception of any special, extended, or limited warranty published by Graco, Graco will, for a period of twelve months from the date of sale, repair or replace any part of the equipment determined by Graco to be defective. This warranty applies only when the equipment is installed, operated and maintained in accordance with Graco's written recommendations.

This warranty does not cover, and Graco shall not be liable for general wear and tear, or any malfunction, damage or wear caused by faulty installation, misapplication, abrasion, corrosion, inadequate or improper maintenance, negligence, accident, tampering, or substitution of non-Graco component parts. Nor shall Graco be liable for malfunction, damage or wear caused by the incompatibility of Graco equipment with structures, accessories, equipment or materials not supplied by Graco, or the improper design, manufacture, installation, operation or maintenance of structures, accessories, equipment or materials not supplied by Graco.

This warranty is conditioned upon the prepaid return of the equipment claimed to be defective to an authorized Graco distributor for verification of the claimed defect. If the claimed defect is verified, Graco will repair or replace free of charge any defective parts. The equipment will be returned to the original purchaser transportation prepaid. If inspection of the equipment does not disclose any defect in material or workmanship, repairs will be made at a reasonable charge, which charges may include the costs of parts, labor, and transportation.

THIS WARRANTY IS EXCLUSIVE, AND IS IN LIEU OF ANY OTHER WARRANTIES, EXPRESS OR IMPLIED, INCLUDING BUT NOT LIMITED TO WARRANTY OF MERCHANTABILITY OR WARRANTY OF FITNESS FOR A PARTICULAR PURPOSE.

Graco's sole obligation and buyer's sole remedy for any breach of warranty shall be as set forth above. The buyer agrees that no other remedy (including, but not limited to, incidental or consequential damages for lost profits, lost sales, injury to person or property, or any other incidental or consequential loss) shall be available. Any action for breach of warranty must be brought within two (2) years of the date of sale.

GRACO MAKES NO WARRANTY, AND DISCLAIMS ALL IMPLIED WARRANTIES OF MERCHANTABILITY AND FITNESS FOR A PARTICULAR PURPOSE, IN CONNECTION WITH ACCESSORIES, EQUIPMENT, MATERIALS OR COMPONENTS SOLD BUT NOT MANUFACTURED BY GRACO. These items sold, but not manufactured by Graco (such as electric motors, switches, hose, etc.), are subject to the warranty, if any, of their manufacturer. Graco will provide purchaser with reasonable assistance in making any claim for breach of these warranties.

In no event will Graco be liable for indirect, incidental, special or consequential damages resulting from Graco supplying equipment hereunder, or the furnishing, performance, or use of any products or other goods sold hereto, whether due to a breach of contract, breach of warranty, the negligence of Graco, or otherwise.

FOR GRACO CANADA CUSTOMERS

The Parties acknowledge that they have required that the present document, as well as all documents, notices and legal proceedings entered into, given or instituted pursuant hereto or relating directly or indirectly hereto, be drawn up in English. Les parties reconnaissent avoir convenu que la rédaction du présente document sera en Anglais, ainsi que tous documents, avis et procédures judiciaires exécutés, donnés ou intentés, à la suite de ou en rapport, directement ou indirectement, avec les procédures concernées.

TO PLACE AN ORDER OR FOR SERVICE, contact your Graco distributor, or call **1-800-690-2894** to identify the nearest distributor.

*All written and visual data contained in this document reflects the latest product information available at the time of publication.
Graco reserves the right to make changes at any time without notice.*

MM 311437

Graco Headquarters: Minneapolis
International Offices: Belgium, China, Japan, Korea

GRACO INC. P.O. BOX 1441 MINNEAPOLIS, MN 55440-1441

www.graco.com

Printed in USA 311437E

12/2005 Rev. 5/2008