
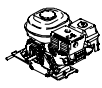
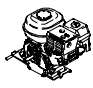
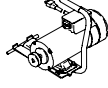
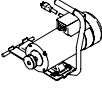



# Repair



## GH™ 200 Sprayer

310548G

		 5.5 HP	 6.5 HP		 CSA/UL	
233940	✓	✓				
233941	✓	✓				✓
233942	✓	✓		✓		
233943	✓	✓			✓	
245693				✓		
246126					✓	
246253		✓				
246311			✓			

3300 psi (227 bar, 22.7 MPa) Maximum Working Pressure

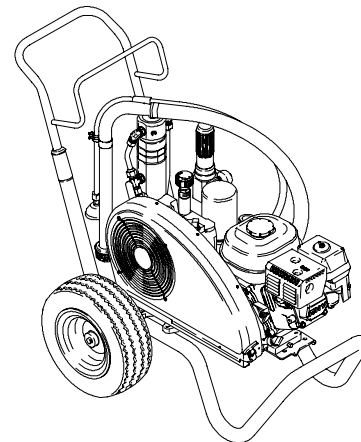
All models not available in all countries.



**Read warnings and instructions.**

## Contents

Warnings .....	2
General Repair Information .....	4
Maintenance .....	5
Troubleshooting .....	6
Hydraulic Pump .....	7
Fan Belt .....	9
Engine .....	10
Hydraulic Motor Yoke .....	11
Oil/Filter Change .....	13
Displacement Pump .....	14
GH200 Sprayers Parts Drawing .....	16
GH200 Sprayers Parts List .....	19
GH200 Sprayers with Spray Gun and Hoses .....	22
Technical Data .....	23
Graco Warranty .....	24



233940

ti2273a

## Related Manuals

Operation .....	309548
Displacement Pump .....	309277
Spray Gun .....	309639
Spray Tip .....	309640
Drain Valve .....	308961
Electric Motor .....	309553

PROVEN QUALITY. LEADING TECHNOLOGY.



# WARNING



## FIRE AND EXPLOSION HAZARD

Flammable fumes, such as solvent and paint fumes, in work area can ignite or explode. To help prevent fire and explosion:



- Use equipment only in well ventilated area.
- Do not fill fuel tank while engine is running or hot; shut off engine and let it cool. Fuel is flammable and can ignite or explode if spilled on hot surface.
- When flammable liquid is sprayed or used for flushing or cleaning, keep sprayer at least 20 feet (6 m) away from explosive vapors.
- Eliminate all ignition sources; such as pilot lights, cigarettes, portable electric lamps, and plastic drop cloths (potential static arc).
- Keep work area free of debris, including solvent, rags and gasoline.
- Do not plug or unplug power cords, or turn power or light switches on or off when flammable fumes are present.
- Ground equipment and conductive objects in work area. See Grounding instructions.
- Use only grounded hoses.
- Hold gun firmly to side of grounded pail when triggering into pail.
- If there is static sparking or you feel a shock, stop operation immediately. Do not use equipment until you identify and correct the problem.



## INJECTION HAZARD

High-pressure fluid from gun, hose leaks, or ruptured components will pierce skin. This may look like just a cut, but it is a serious injury that can result in amputation. Get immediate medical attention.



- Do not point gun at anyone or at any part of the body.
- Do not put your hand over the spray tip.
- Do not stop or deflect leaks with your hand, body, glove, or rag.
- Do not spray without tip guard and trigger guard installed.
- Engage trigger lock when not spraying.
- Follow Pressure Relief Procedure in this manual, when you stop spraying and before cleaning, checking, or servicing equipment.



## PRESSURIZED EQUIPMENT HAZARD

Fluid from the gun/dispense valve, leaks, or ruptured components can splash in the eyes or on skin and cause serious injury.

- Follow Pressure Relief Procedure in this manual, when you stop spraying and before cleaning, checking, or servicing equipment.
- Tighten all fluid connections before operating the equipment.
- Check hoses, tubes, and couplings daily. Replace worn or damaged parts immediately.



## MOVING PARTS HAZARD

Moving parts can pinch or amputate fingers and other body parts.

- Keep clear of moving parts.
- Do not operate equipment with protective guards or covers removed.
- Pressurized equipment can start without warning. Before checking, moving, or servicing equipment, follow the Pressure Relief Procedure in this manual. Disconnect power or air supply.

# WARNING



## EQUIPMENT MISUSE HAZARD

Misuse can cause death or serious injury.

- Do not exceed the maximum working pressure or temperature rating of the lowest rated system component. See Technical Data in all equipment manuals.
- Use fluids and solvents that are compatible with equipment wetted parts. See Technical Data in all equipment manuals. Read fluid and solvent manufacturer's warnings.
- Check equipment daily. Repair or replace worn or damaged parts immediately.
- Do not alter or modify equipment.
- For professional use only.
- Use equipment only for its intended purpose. Call your Graco distributor for information.
- Route hoses and cables away from traffic areas, sharp edges, moving parts, and hot surfaces.
- Do not use hoses to pull equipment.
- Comply with all applicable safety regulations.



## PRESSURIZED ALUMINUM PARTS HAZARD

Do not use 1,1,1-trichloroethane, methylene chloride, other halogenated hydrocarbon solvents or fluids containing such solvents in pressurized aluminum equipment. Such use can cause serious chemical reaction and equipment rupture, and result in death, serious injury, and property damage.



## SUCTION HAZARD

Never place hands near the pump fluid inlet when pump is operating or pressurized. Powerful suction could cause serious injury.



## CARBON MONOXIDE HAZARD

Exhaust contains poisonous carbon monoxide, which is colorless and odorless. Breathing carbon monoxide can cause death. Do not operate in an enclosed area.



## TOXIC FLUID OR FUMES HAZARD

Toxic fluids or fumes can cause serious injury or death if splashed in the eyes or on skin, inhaled, or swallowed.

- Read MSDS's to know the specific hazards of the fluids you are using.
- Store hazardous fluid in approved containers, and dispose of it according to applicable guidelines.



## BURN HAZARD

Equipment surfaces and fluid that's heated can become very hot during operation. To avoid severe burns, do not touch hot fluid or equipment. Wait until equipment/fluid has cooled completely.



## PERSONAL PROTECTIVE EQUIPMENT

You must wear appropriate protective equipment when operating, servicing, or when in the operating area of the equipment to help protect you from serious injury, including eye injury, inhalation of toxic fumes, burns, and hearing loss. This equipment includes but is not limited to:

- Protective eyewear.
- Clothing and respirator as recommended by the fluid and solvent manufacturer.
- Gloves.
- Hearing protection.



## RECOIL HAZARD

Brace yourself; gun may recoil when triggered and cause you to fall, which could cause serious injury.

# General Repair Information

## ⚠ WARNING



### MOVING PARTS HAZARD

To reduce risk of serious injury, do not touch moving parts with fingers or tools while testing repair. Shut off sprayer when repairing. Install all covers, gaskets, screws and washers before operating sprayer.

1. **Keep all screws, nuts, washers, gaskets, and electrical fittings** removed during repair procedures. These parts are not normally provided with replacement assemblies.
2. **Test repair** after problem is corrected.
3. **If sprayer does not operate properly**, review repair procedure to verify procedure was done correctly. If necessary, see Troubleshooting Guide, page 6, for other possible solutions.

## ⚠ WARNING



### HOT SURFACES HAZARD EXPLOSION HAZARD

Hydraulic system and engine may be very hot during operation and could burn skin if touched.



Flammable materials spilled on hot engine could cause fire or explosion. Have belt guard in place during operation to reduce risk of pinching or loss of fingers.

4. **Install belt guard before operation** of sprayer and replace if damaged. Belt guard reduces risk of pinching and loss of fingers; see preceding **WARNING**.

## Grounding

Ground sprayer with grounding clamp to earth ground for safe sprayer operation. Fig. 1.

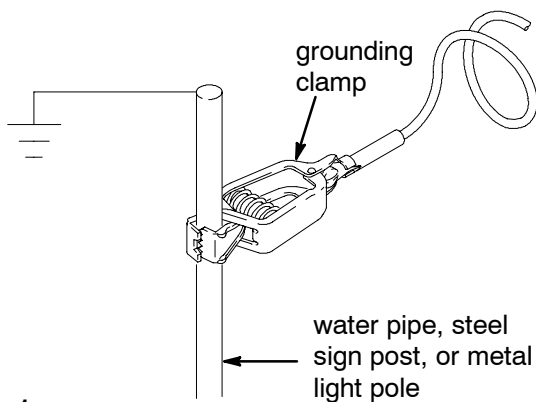
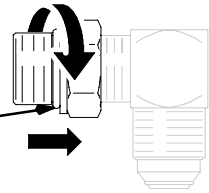


Fig. 1

06250

## SAE O-Ring Installation

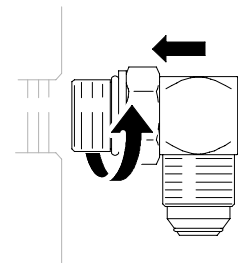
1. Unscrew lock nut to touch fitting.



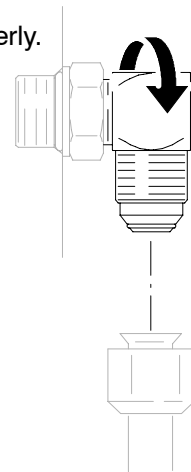
2. Lubricate o-ring



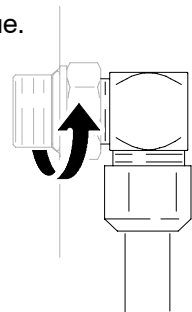
3. Screw in fitting hand tight.



4. Unscrew fitting until oriented properly.

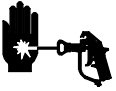


5. Tighten lock nut to indicated torque. (Make sure washer is seated properly without pinching o-ring).



# Maintenance

## WARNING



### INJECTION HAZARD

The system pressure must be manually relieved to prevent the system from starting or spraying accidentally. Fluid under high pressure can be injected through the skin and cause serious injury. To reduce the risk of an injury from injection, splashing fluid, or moving parts, follow the **Pressure Relief Procedure** whenever you:

- are instructed to relieve the pressure,
- stop spraying,
- check or service any of the system equipment,
- or install or clean the spray tip.

## Pressure Relief Procedure

1. Lock gun trigger safety.
2. Turn engine ON/OFF switch to OFF.
3. Move pump valve to OFF (down) and turn pressure control knob fully counterclockwise.
4. Unlock trigger safety. Hold metal part of gun firmly to side of grounded metal pail, and trigger gun to relieve pressure.
5. Lock gun trigger safety.
6. Open pressure drain valve. Leave valve open until ready to spray again.

*If you suspect that the spray tip or hose is completely clogged, or that pressure has not been fully relieved after following the steps above, VERY SLOWLY loosen tip guard retaining nut or hose end coupling to relieve pressure gradually, then loosen completely. Now clear tip or hose.*

## CAUTION

For detailed engine maintenance and specifications, refer to separate Honda Engines Owner's Manual, supplied.

- DAILY:** Check engine oil level and fill as necessary.
- DAILY:** Check hydraulic oil level and fill as necessary.
- DAILY:** Check hose for wear and damage.
- DAILY:** Check gun safety for proper operation.
- DAILY:** Check pressure drain valve for proper operation.
- DAILY:** Check and fill the gas tank.
- DAILY:** Check that displacement pump is tight.
- DAILY:** Check level of TSL in displacement pump packing nut. Fill nut, if necessary. Keep TSL in nut to help prevent fluid buildup on piston rod and premature wear of packings and pump corrosion.
- AFTER THE FIRST 20 HOURS OF OPERATION:** Drain engine oil and refill with clean oil. Reference Honda Engines Owner's Manual for correct oil viscosity.
- WEEKLY:** Remove engine air filter cover and clean element. Replace element, if necessary. If operating in an unusually dusty environment: check filter daily and replace, if necessary.
- Replacement elements can be purchased from your local HONDA dealer.
- WEEKLY/DAILY:** Remove any debris or media from hydraulic rod.
- AFTER EACH 100 HOURS OF OPERATION:** Change engine oil. Reference Honda Engines Owner's Manual for correct oil viscosity.
- SEMI-ANNUALLY:** Check belt wear, page 9; replace if necessary.
- YEARLY OR 2000 HOURS:** Replace hydraulic oil and filter element with Graco hydraulic oil 169236 (5 gallon/20 liter) or 207428 (1 gallon/3.8 liter) and filter element 246173; page 6. Replace belt.
- SPARK PLUG:** Use only BPR6ES (NGK) or W20EPR-U (NIPPONDENSO) plug. Gap plug to 0.028 to 0.031 in. (0.7 to 0.8 mm). Use spark plug wrench when installing and removing plug.

# Troubleshooting



Relieve pressure; page 5.

PROBLEM	CAUSE	SOLUTION
Gas engine pulls hard (won't start)	Hydraulic pressure is too high	Turn hydraulic pressure knob counterclockwise to lowest setting
Gas engine will not start	Switch OFF, low oil, no gasoline	Consult engine manual, supplied
Gas engine doesn't work properly	Elevation	Consult engine manual, supplied. Refer to 6.5 HP Engine Repair Kit, 246311.
Gas engine operates, but displacement pump doesn't operate	Pump valve is OFF Pressure setting too low Displacement pump outlet filter (if used) is dirty or clogged Tip or tip filter (if used) is clogged Hydraulic fluid too low Belt worn or broken Hydraulic pump worn or damaged Dried paint seized paint pump rod Hydraulic motor not shifting	Set pump valve ON Increase pressure. See manual 309548 Clean filter Remove tip and/or filter and clean Shut off sprayer. Add fluid*. See page 5. Replace. Bring sprayer to Graco distributor for repair Service pump. See manual 309277. Set pump valve OFF. Turn pressure down. Turn engine OFF. Pry rod up or down until hydraulic motor shifts.
Displacement pump operates, but output is low on upstroke	Piston ball check not seating properly. Piston packings worn or damaged.	Service piston ball check. See manual 309277. Replace packings. See manual 309277.
Displacement pump operates but output is low on downstroke and/or on both strokes	Piston packings worn or damaged. Intake valve ball check not seating properly. Suction tube air leak	Tighten packing nut or replace packings. See manual 309277. Service intake valve ball check. See manual 309277. Tighten suction tube
Paint leaks and runs over side of wet-cup	Loose wet-cup Throat packings worn or damaged	Tighten packing nut enough to stop leakage Replace packings. See manual 309277
Excessive leakage around hydraulic motor piston rod wiper	Piston rod seal worn or damaged	Replace these parts.
Fluid delivery is low	Pressure setting too low Displacement pump outlet filter (if used) is dirty or clogged Intake line to pump inlet is not tight Hydraulic motor is worn or damaged Large pressure drop in fluid hose	Increase pressure. See manual 309548. Clean filter Tighten Bring sprayer to Graco distributor for repair Use larger diameter or shorter hose
The sprayer overheats	Paint buildup on hydraulic components	Clean
	Oil level is low	Fill with oil. See page 5.
Spitting from gun	Air in fluid pump or hose	Check for loose connections on siphon assembly, tighten, then reprime pump
	Loose intake suction	Tighten
	Fluid supply is low or empty	Refill supply container
Excessive hydraulic pump noise	Low hydraulic fluid level	Shut off sprayer. Add fluid*. See page 5.

\*Check hydraulic fluid level often. Do not allow it to become too low. Use only Graco approved hydraulic fluid, page 5.

# Hydraulic Pump

## Removal

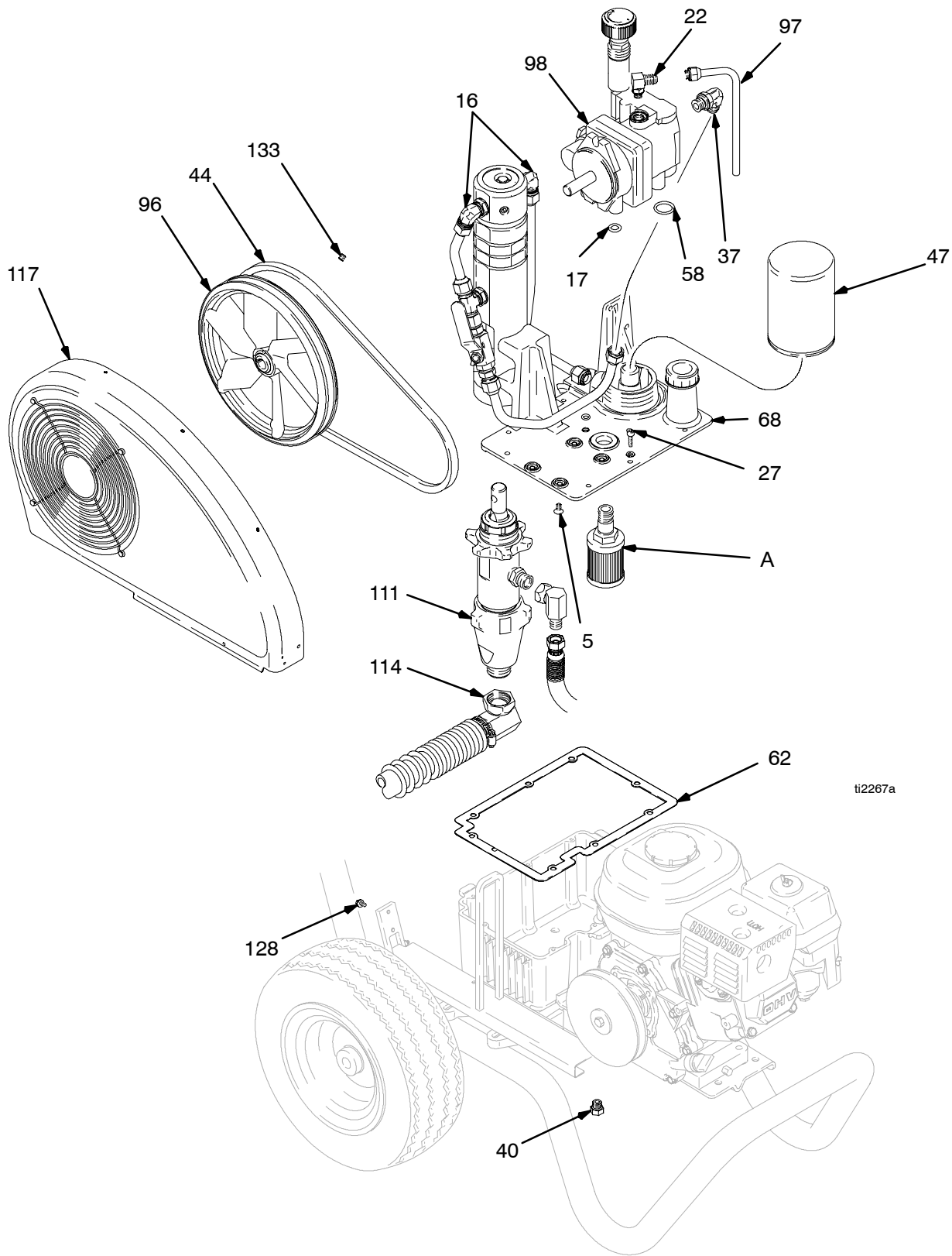
1.   Relieve pressure; page 5.

Let hydraulic system cool before beginning service.

2. Place drip pan or rags under sprayer to catch hydraulic oil that leaks out during repair.
3. Remove drain plug (40) and oil filter (47) and allow hydraulic oil to drain.
4. Fig. 2. Disconnect suction tube (114).
5. Disconnect paint pump (111).
6. Remove two screws (115a) and belt guard (117).
7. Raise motor and remove belt (44).
8. Remove two set screws (133) and fan pulley (96).
9. Remove case drain tube (97).
10. Remove elbow (22).
11. Remove eight screws (27) reservoir cover (68) filter assembly (A) and gasket (62).
12. Remove four screws (5) and hydraulic pump (98) from reservoir (69).

## Installation

1. Install hydraulic pump (98) in reservoir (69) with four screws (5); torque 100 in-lb (11 N·m).
2. Install gasket (62) and reservoir cover (68) with eight screws (27); torque 90 in-lb (10 N·m).
3. Install elbow (22); torque to 15 ft-lb (20.3 N·m).
4. Install case drain tube (97); torque to 25 ft-lb (33.9 N·m).
5. Install fan pulley (96) with two set screws (133).
6. Raise motor and install belt (44).
7. Install belt guard (117) with two screws (115a).
8. Connect paint pump (111).
9. Fig. 2. Connect suction tube (114).
10. Install drain plug (40); torque to 110 in-lb (12.4 N·m). Install oil filter (47); tighten 3/4 turn after gasket contacts base. Fill with Graco hydraulic oil, page 5.
11. Start up and allow pump to operate at low pressure for approximately 5 minutes to purge all air.



ti2267a


ti2267a

Fig. 2



# Fan Belt

## Removal

1.  Relieve pressure; page 5.
2. Fig. 3. Unlatch T-handle (125).
3. Rotate belt guard (117) up.
4. Lift engine (119) up to remove tension on belt (44).
5. Remove belt from pulley (43) and fan (96).

## Installation

1. Thread belt (44) around drive pulley (43) and fan pulley (96).
2. Let engine (119) down to put tension on belt.
3. Rotate belt guard (117) down.
4. Latch T-handle (125).

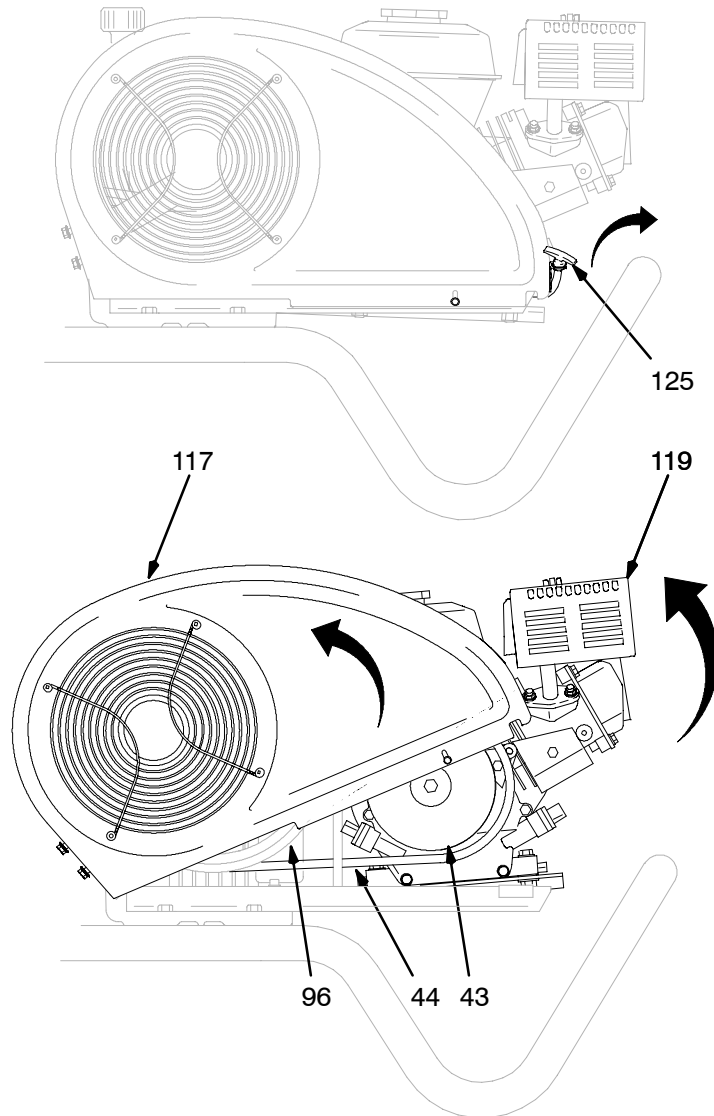



Fig. 3

ti2268a

# Engine

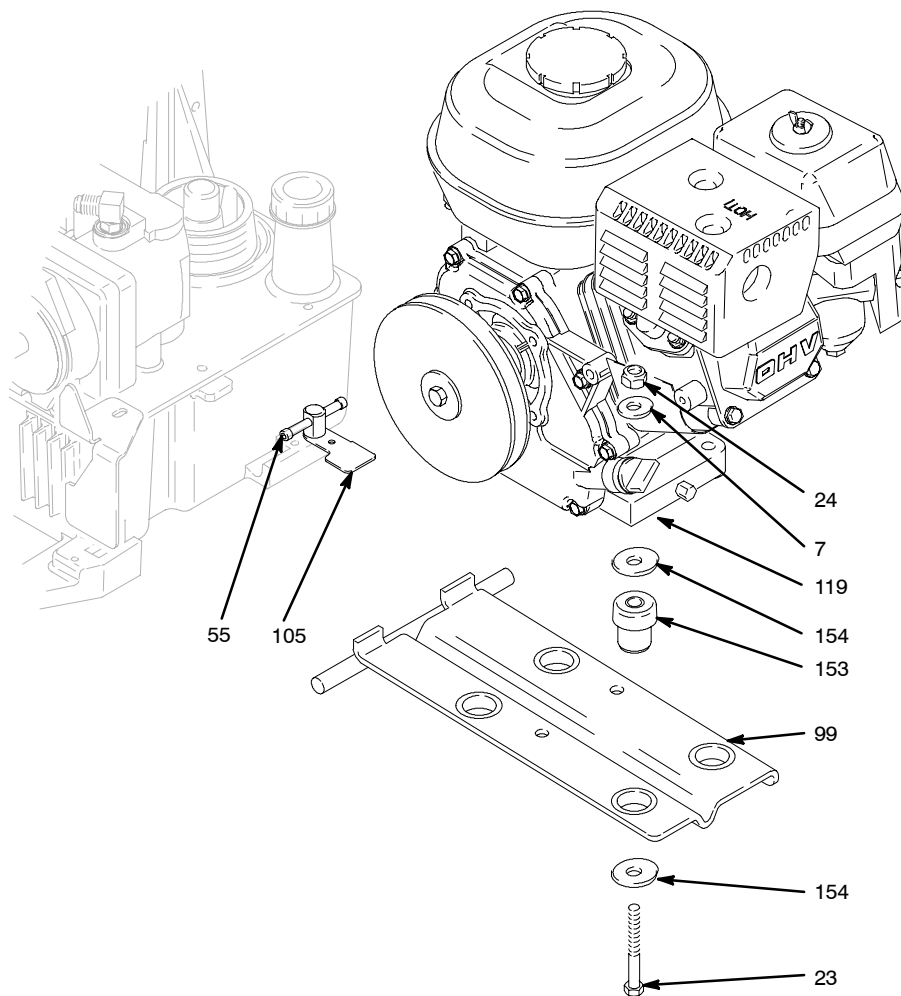
## Removal

**NOTE:** All service to the engine must be performed by an authorized HONDA dealer.

1.  Relieve pressure; page 5.
2. Fig. 4. Loosen motor clamp (55). Swing motor retainer bracket (105) out.
3. Do **Fan Belt, Removal**; page 9.
4. Remove engine (119) and rocker plate (99) from sprayer.
5. Remove four screws (23), washers (7) and nuts (24) and remove rocker plate (99), dampeners (153) and washers (154) from engine (119).

## Installation

1. Install rocker plate (99), dampeners (153) and washers (154) on engine (119) with four screws (23), washers (7) and nuts (24); torque to 125 in-lb (14.1 N·m).
2. Install engine and rocker plate (99) on sprayer.
3. Do **Fan Belt, Removal**; page 9.
4. Swing motor retainer bracket (105) in. Tighten motor clamp (55).




ti2269a


Fig. 4

# Hydraulic Motor Yoke

## Removal

-  Relieve pressure; page 5.
- Place drip pan or rags under sprayer to catch hydraulic oil that leaks out during repair.
- Remove pump pin (21) and retainer clip (120), page 14.
- Fig. 5. Remove hydraulic lines (93, 95) from fittings (16) at top left and right side of hydraulic motor.
- Loosen jam nut (65).
- Unscrew and remove hydraulic motor cap (64).
- Slide piston rod/hydraulic motor cap assembly (A) from hydraulic motor cylinder.
- Remove yoke (78).
  - Fig. 5. Clamp hydraulic motor cap in vise with hydraulic motor piston rod facing up.
  - Use shortened Allen wrench to remove two screws (13) from spring retainer (83). Remove yoke, spring retainer, piston and trip rod assembly from hydraulic motor cap.

**⚠ WARNING**




**Flying Parts Hazard**  
Detent spring has high energy potential. If detent spring is released without due care detent spring and balls could fly into the eyes of the disassembler. Wear safety glasses when removing or installing detent spring and balls. Failure to wear safety glasses when removing detent spring could result in eye injury or blindness.

- Cover spring retainer (83) with a rag to contain detent spring (20) and balls (8) when they are removed from yoke. Remove detent balls and spring. Remove spring retainer.
- Put yoke in vise and remove piston rod assembly from yoke.

## Installation

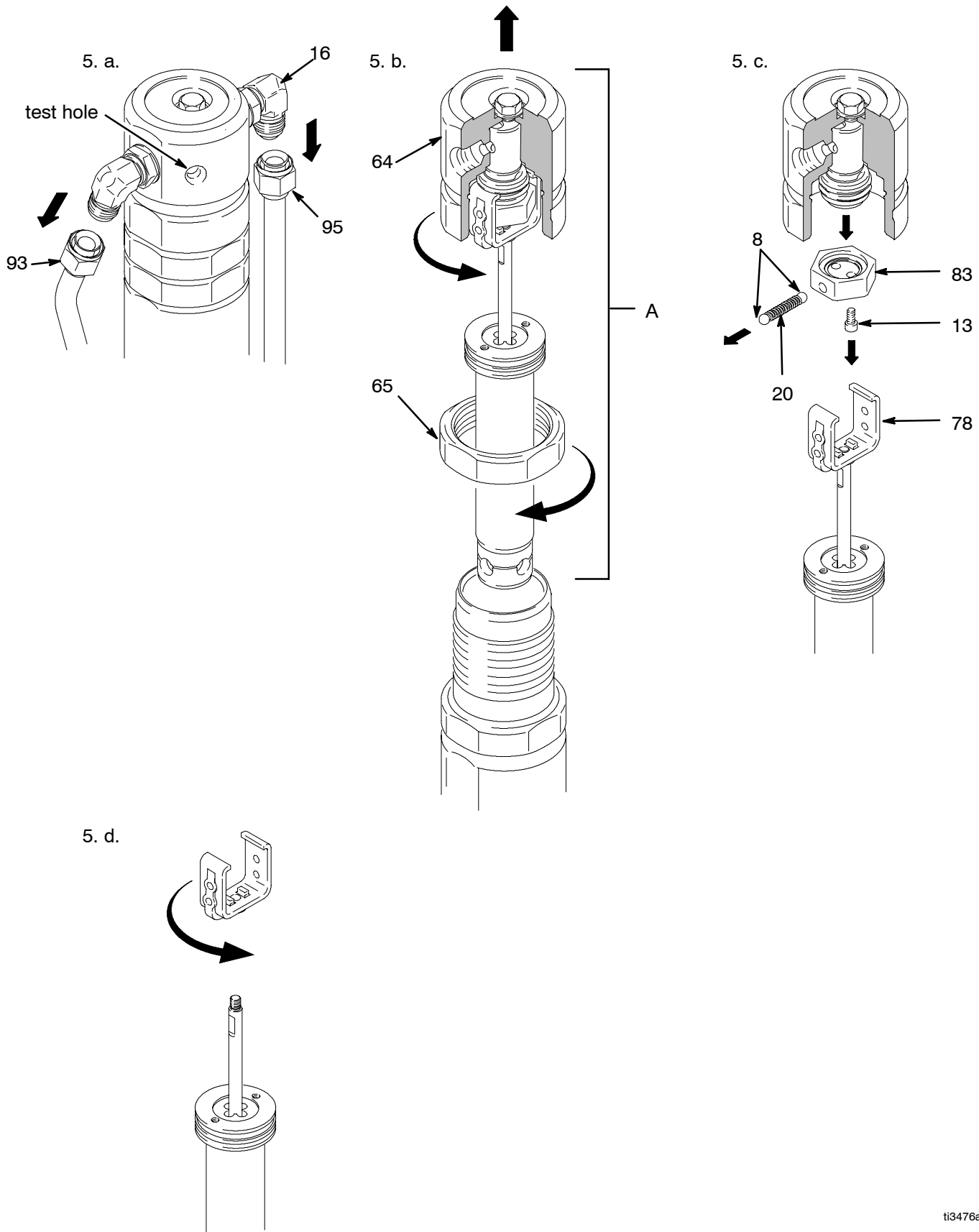
- Assemble yoke (78) to trip rod (60).
  - Clean threads with primer or chlorinated solvent and let dry 3 to 4 minutes. Apply thread sealant to female threads of yoke. Clamp yoke in vise and, with wrench on flats of trip rod, screw trip rod into yoke. Torque to 55 in-lb (6.2 N·m). Allow thread sealant to dry for 3 hours prior to contact with hydraulic fluid.

**⚠ WARNING**



**Flying Parts Hazard**  
Detent spring has high energy potential. If detent spring is released without due care detent spring and balls could fly into the eyes of the disassembler. Wear safety glasses when removing or installing detent spring and balls. Failure to wear safety glasses when removing detent spring could result in eye injury or blindness.

- Fig. 5. Put hydraulic motor cap (64) in vise.
  - Install yoke, spring retainer, piston and trip rod assembly in hydraulic motor cap. Use shortened Allen wrench to install two screws (13) in spring retainer to secure piston rod assembly to hydraulic motor cap.
- Slide piston rod assembly (A) into hydraulic motor cylinder.
  - Screw down hydraulic motor cap (64). Unscrew hydraulic motor cap until inlet and outlet align with hydraulic line fittings and test hole in hydraulic motor cap points toward belt guard (117).
  - Torque jam nut (65) against hydraulic motor cap (64) to 150 ft-lb (17 N·m).
  - Fig. 5. Install hydraulic lines (93, 95) to fittings (16) to top left and right side of hydraulic motor; torque to 40 ft-lb (54.2 N·m).
  - Pull start rope slowly to align pin holes of hydraulic motor and displacement pump (111). Connect with pump pin (21); install retainer clip (120), page 14.
  - Start engine and operate pump for 30 seconds. Turn engine OFF. Check hydraulic oil level and fill with Graco hydraulic oil, page 5.



ti3476a

Fig. 5

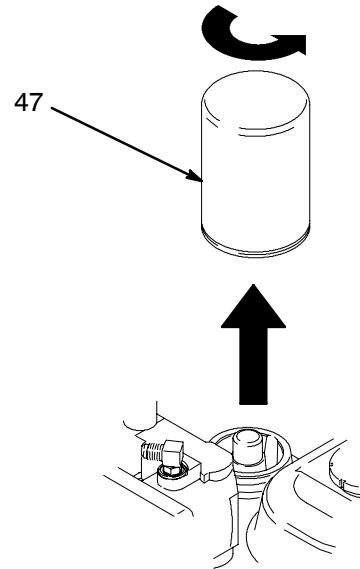
# Oil/Filter Change

## Removal

1. Fig. 6. Place drip pan or rags under sprayer to catch hydraulic oil that drains out.
2. Remove drain plug (40). Allow hydraulic oil to drain.
3. Unscrew filter (47) slowly – oil runs into groove and drains out rear.

## Installation

1. Install drain plug (40) and oil filter (47). Tighten oil filter 3/4 turn after gasket contacts base.
2. Fill with four quarts of Graco hydraulic oil 169236 (5 gallon/20 liter) or 207428 (1 gallon/3.8 liter)
3. Check oil level.



ti2271a

**Fig. 6**

# Displacement Pump

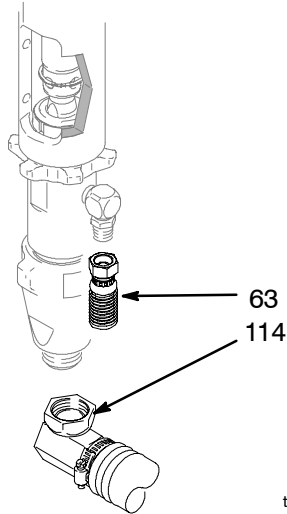
See manual 309277 for pump repair instructions.

## Removal

1. Flush pump.

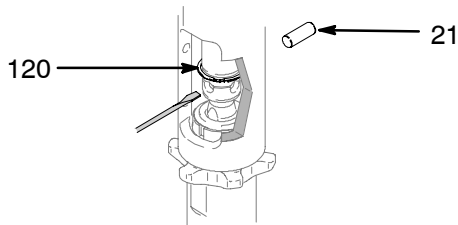
2.   Relieve pressure; page 5.

3. Fig. 7. Remove suction tube (114) and paint hose (63) (remove at swivel end).



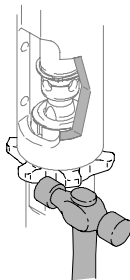
**Fig. 7** ti2272a

4. Fig. 8. Push retaining spring up; push out pin (21).



**Fig. 8** ti2272a

5. Fig. 9. Loosen jam nut. Unscrew pump.



**Fig. 9** ti2272a

## Installation

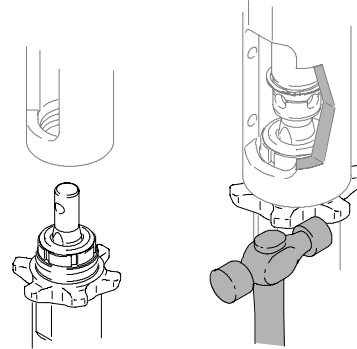
### **WARNING**

If pin works loose, parts could break off and project through the air and result in serious injury or property damage. Make sure pin is properly installed.

### **CAUTION**

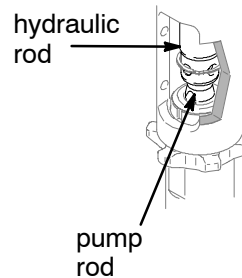
• If the pump jam nut loosens during operation, the threads of the bearing housing and drive train will be damaged. Tighten jam nut as specified.

1. Fig. 10. Screw jam nut to bottom of pump threads. Screw pump completely into manifold. Unscrew pump from manifold until pump outlet aligns with hose. Hand tighten jam nut, then tap 1/8 to 1/4 turn with hammer or torque to 200 ft-lb (270 N·m).



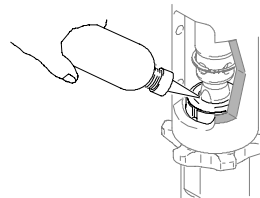
**Fig. 10** ti2272a

2. Fig. 11. Slowly pull engine starter rope until pump rod pin hole is aligned with hydraulic rod hole. Fig. 8. Push pin (21) into hole. Push retaining spring (120) into groove.



**Fig. 11** ti2272a

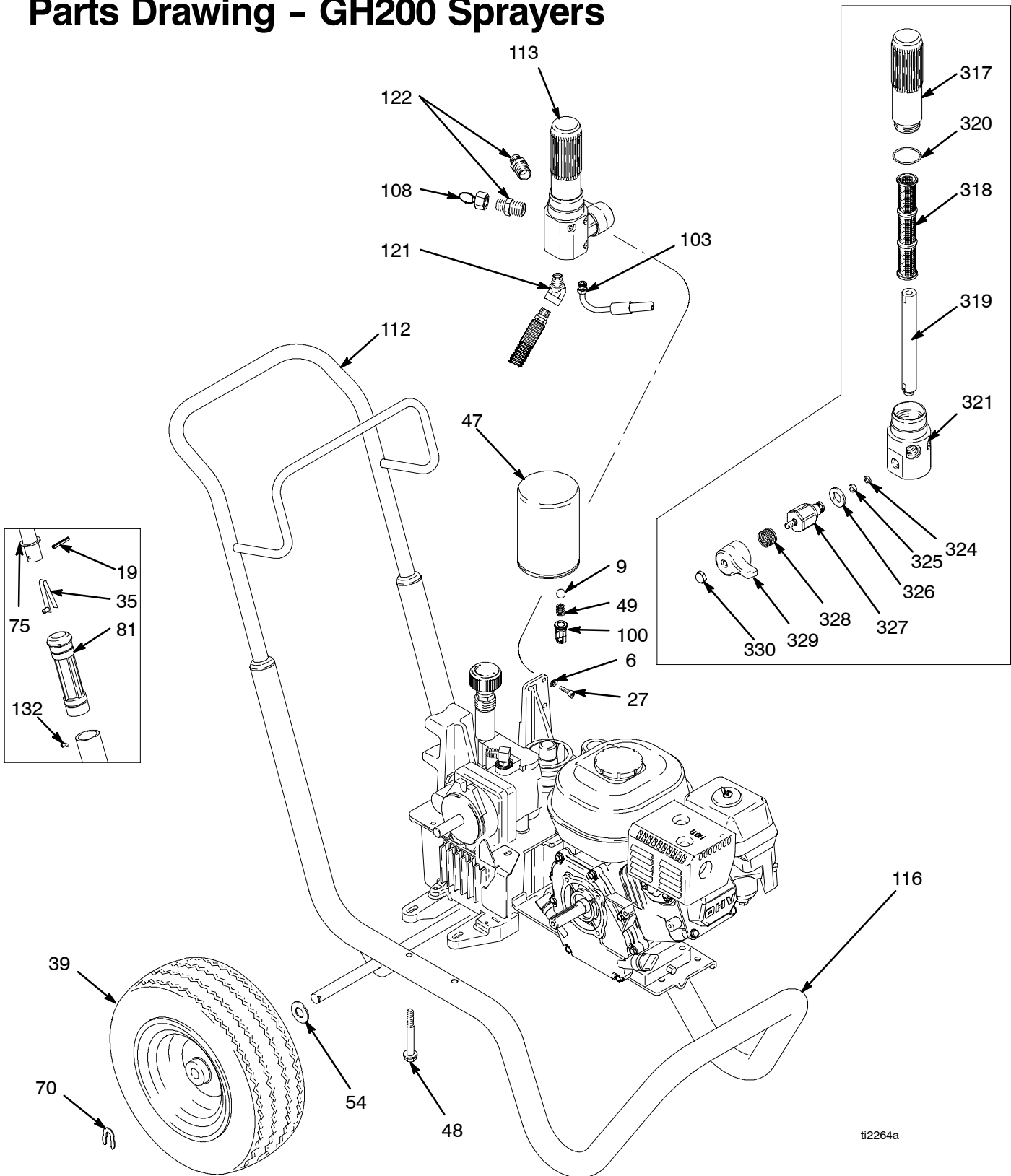
- Fig. 12. Fill packing nut with Graco TSL.



**Fig. 12** ti2272a



# Parts Drawing - GH200 Sprayers



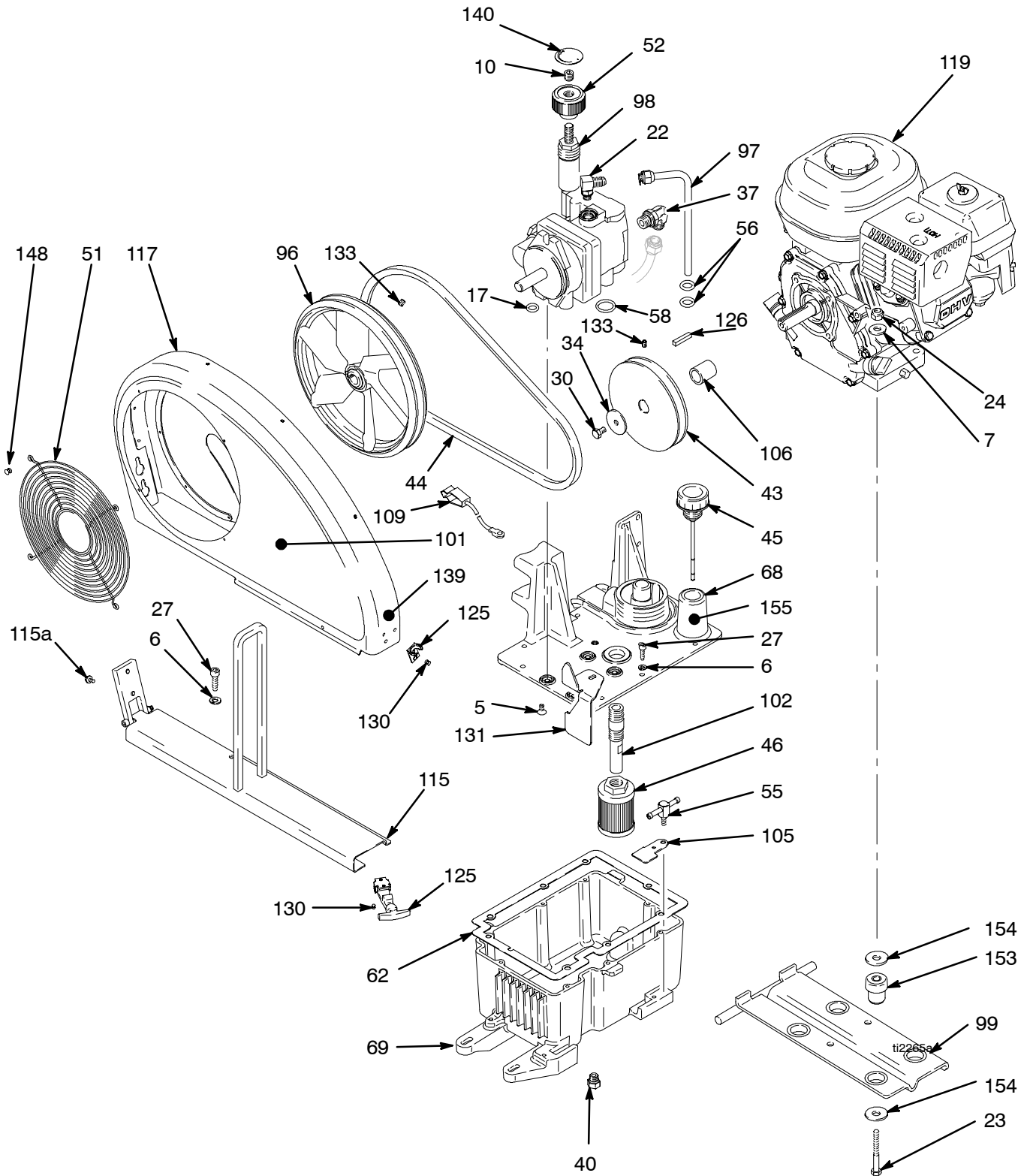
ti2264a



# Parts List - GH200 Sprayers

Ref.	Part	Description	Qty.	Ref.	Part	Description	Qty.
6	100016	WASHER, lock	12	122	162485	NIPPLE, adapter	3
9	100084	BALL	1	132	109032	SCREW, mach, pnh	4
19	108068	PIN, spring straight	2	133	100002	SCREW, set, sch	2
35	112827	BUTTON, snap	2	317#	196675	BOWL, filter	1
39	116399	WHEEL, pneumatic, 13 in.	2	318#	243984	FILTER, fluid	1
47	246173	FILTER, oil	1	319#	196786	DIFFUSER, tube	1
48	116923	SCREW, hex head	4	320#	104361	O-RING	1
49	116967	SPRING	1	321#	15A766	HOUSING, filter	1
54	117365	WASHER	2	324§	193710	SEAL, seat valve	1
70	15B563	CLIP, retainer	2	325§	193709	SEAT, valve	1
75	183350	WASHER	2	326§	114797	GASKET	1
81	192027	SLEEVE, cart	2	327§	245103	VALVE, drain	1
100	198841	HOUSING, pressure	1	328§	115830	SPRING	1
108	237479	CAP, filter	1	329§	194102	HANDLE, valve	1
112	245275	HANDLE, cart	1	330§	114688	NUT, cap	1
116	245917	FRAME, cart, GH 200	1	▲DANGER and WARNING labels are available at no charge. # Included in Manifold Kit 245323 § Included in Drain Valve Kit 245103			
113	245323	FILTER, assy, paint	1				
121	116756	FITTING, elbow, street	1				

# Parts Drawing - GH200 Sprayers



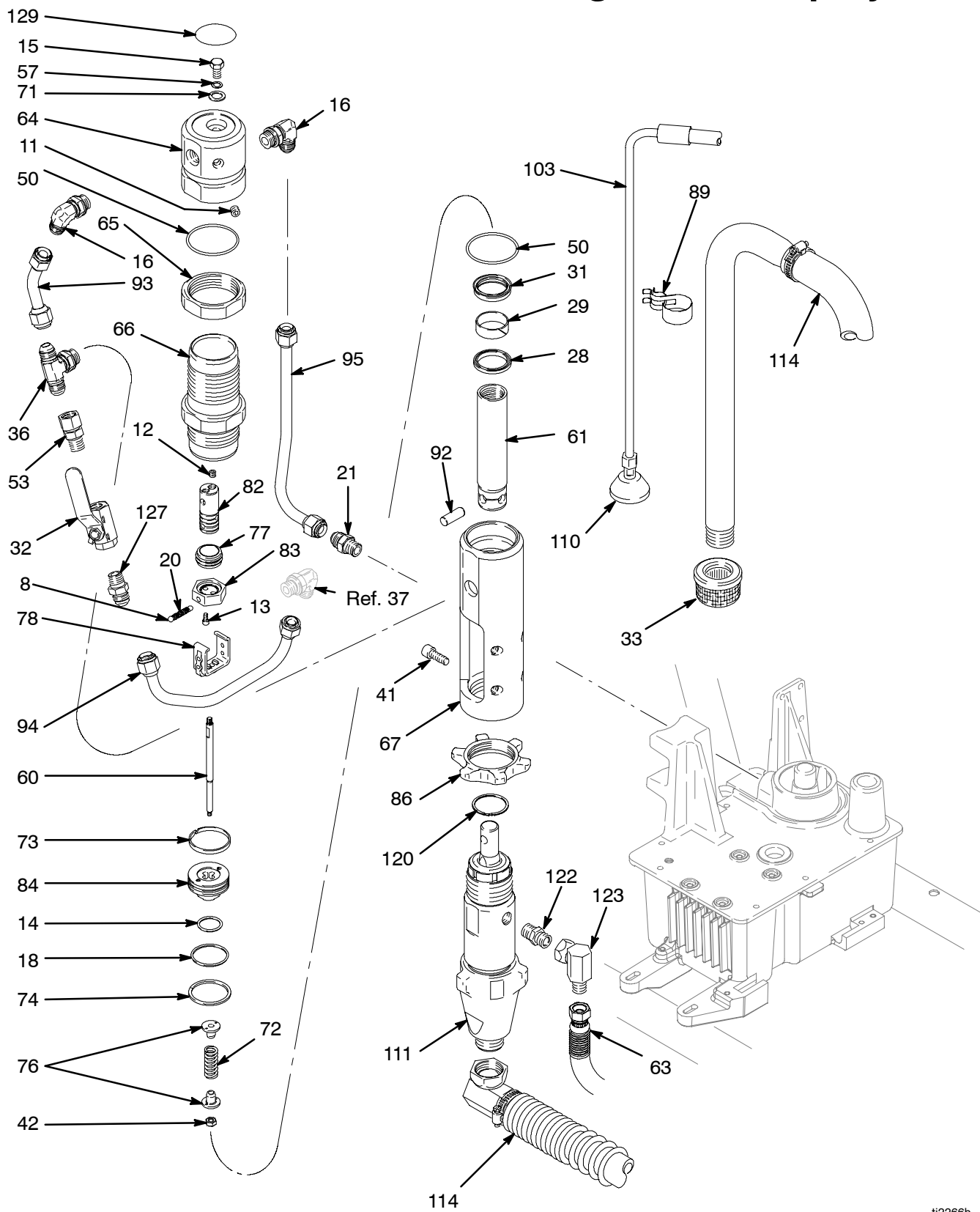
ti2265a

## Parts List - GH200 Sprayers

Ref.	Part	Description	Qty.	Ref.	Part	Description	Qty.
5	117471	SCREW, 1/4-20 flat head mach	4	99	15B664	BRACKET, mount, engine	1
6	100016	WASHER, lock	12	101	198843	LABEL, identification	1
7	100023	WASHER, flat	4	102	198844	TUBE, suction	1
10	117560	SCREW, set	1	105	198865	BRACKET, retainer, motor	1
17	107188	O-RING	4	106	15B314	SLEEVE, motor shaft	1
22	110792	ELBOW, male, 90 deg	1	115	246313	RAIL, belt guard	1
23	113664	SCREW, flange, hex	4			includes 6, 27, 115a 125, 130	
24	110838	NUT, lock	4	115a	110997	SCREW, flange, hex hd	1
27	112166	SCREW, cap, socket hh	12	117	246312	GUARD, belt	1
30	108842	SCREW, cap, hex hd	1			includes 51, 101, 125, 130, 148	
34	112717	WASHER	1	119		ENGINE	1
37	116793	FITTING, elbow, hydraulic	1		246253	GX160K1QX2, 5.5 HP	1
40	116754	PLUG, hex head, hydraulic	1		246311	GX200QX2, 6.5 HP	1
43	116908	PULLEY, 5.50 in.	1			includes 7, 23, 24, 26, 30, 34, 99, 106, 133, 153, 154	
44	116914	BELT	1				
45	116915	CAP, breather filler	1	125	117715	LATCH, T-handle	1
46	116919	FILTER, hydraulic, suction	1	126	117632	KEY, square	1
51	117284	GRILL, fan guard	1	130	103785	RIVET, blind	4
52	15B438	KNOB, pressure	1	131	15B248	BRACKET, suction tube	1
55	246327	KIT, motor clamp	1	133	100002	SCREW, set, sch	3
56	154594	PACKING, o-ring	2	139	198492	LABEL, warning	1
58	156401	PACKING, o-ring	1	140	15A464	LABEL, control	1
62	246172	GASKET, reservoir	1	148	117531	RIVET, pop, 3/16 in. diameter	1
69	15C682	TANK, reservoir	1	150	116961	ROD, standoff, 1/4 in. OD x 2 in. long	1
68	15A767	COVER, reservoir	1	151	111006	SCREW, cap	2
96	198636	PULLEY, fan	1	153	195515	DAMPENER, motor mount	4
97	246167	TUBE, hydraulic, case drain includes 56	1	154	108851	WASHER, plain	8
				155	198585	LABEL, hydraulic fluid	1
98	246178	PUMP, hydraulic includes 10, 17, 52, 58, 140	1				

▲ *DANGER and WARNING labels are available at no charge.*

# Parts Drawing - GH200 Sprayers



ti2266b

ti1428a

# Parts List - GH200 Sprayers

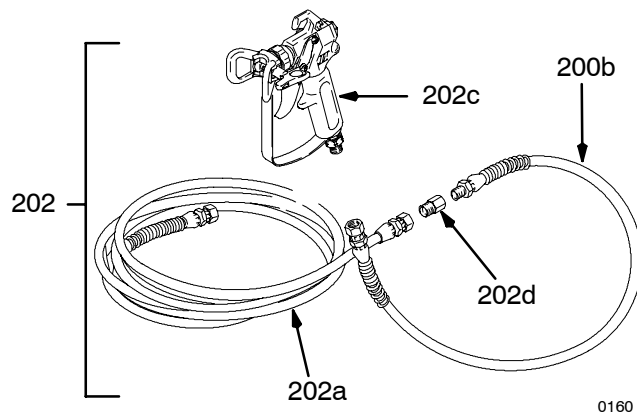
Ref. No.	Part No.	Description	Qty.	Ref. No.	Part No.	Description	Qty.
11	100139	PLUG, pipe	1	76#	15B463	RETAINER, spring	2
12†		PLUG, pipe	1	77	189072	SLEEVE, valve	1
13§	104092	SCREW, cap, sch	2	82†		VALVE, spool	1
14#*	105765	PACKING, o-ring	1	84#	192656	PISTON	1
15†		SCREW, cap, hex hd	1	86	193394	NUT, retaining	1
16	117607	ELBOW, str thd	2	89	196723	CLIP, spring, Ultra Hi-boys	1
18*	108014	PACKING, o-ring	1	91	194317	LABEL, danger, st	1
21	117608	NIPPLE, straight	1	92	197443	PIN, pump	1
28*	117739	WIPER, rod	1	93	198629	TUBE, hydraulic, supply	1
29*	112342	BEARING, rod	1	94	198630	TUBE, hydraulic, supply	1
31*	112561	PACKING, block	1	95	198631	TUBE, hydraulic, return	1
32	117441	VALVE, ball	1	103	246169	HOSE, drain	1
33	189920	STRAINER, (1-11 1/2 npsm)	1			includes 110	
36	117609	TEE, branch, str thd	1	110	241920	DEFLECTOR, threaded	1
41	15B564	SCREW, cap, socket hd	4	111	246257	PUMP, displacement, 7900	1
42#	114231	NUT, lock, hex	1			Manual 309277	
50†*	117283	PACKING, o-ring	2	114	246168	TUBE, suction, 5 gal	1
53	117328	FITTING, nipple, straight	1			includes 33	
57†		PACKING, o-ring	1	120	116551	RING, retaining	1
60#	15A690	ROD, trip	1	122	162485	NIPPLE, adapter	3
61#	15A693	ROD, hydraulic motor	1	123	155494	UNION, swivel, 90°	1
63	243814	HOSE, coupled	1	127	116813	FITTING, nipple, hydraulic	1
64†	246180	CAP, hydraulic motor	1	129†	15B063	LABEL	1
65	15A726	NUT, jam	1			† Included in Cap Kit 246180	
66‡	15A727	SLEEVE, hydraulic cylinder	1			‡ Included in Sleeve Kit 246176	
67	15A728	MANIFOLD, adapter	1			§ Included in Yoke Kit 246175	
71†		WASHER, sealing	1			# Included in Trip Rod/Piston Kit 246255	
72#	117645	SPRING, compression	1			* Included in Seal Kit 246174	
73*	178207	BEARING, piston	1				
74*	178226	SEAL, piston	1				

▲ DANGER and WARNING labels are available at no charge.

# GH200 Sprayers with Spray Gun and Hoses

233941 Includes 201 and 202

Ref No.	Part No.	Description	Qty
201	233940	GH200 See cover and Parts, pages 16 - 21	1
202	287037	KIT, gun, Contractor 3300 psi (227 bar, 22.7 MPa) includes 202a - 202d	1
202a	240797	HOSE, grounded, nylon; 3/8 in. ID; cpld 3/8-18 npsm; 50 foot (15 m); spring guards both ends	1
202b	238358	HOSE, grounded, nylon; 3/16 in. ID; cpld 1/4 npt(m) x 1/4 npsm(f); 3 foot (0.9 m); spring guards both ends	1
202c	246220	Contractor Spray Gun Includes 517 RAC® X SwitchTip™ and HandTite™ Guard See 309639 for parts	1
202d	159841	ADAPTER, 3/8 X 1/4 in. npt	1



# Technical Data

Sprayer	Hydraulic Pressure psi (bar)	Hydraulic Reservoir Capacity Gallons (Liters)	Motor HP (kW)	Maximum Delivery gpm (lpm)	Maximum Tip size		Fluid Inlet in.	Fluid Outlet in.	
					1 gun	2 guns		npsm(m)	npt(f)
GH200 Gas	1800 (124)	1.0 (3.8)	5.5 (4.1)	2.0 (7.6)	0.046	0.033	1 npsm(m)	3/8	3/8
GH200 Electric	1800 (124)	1.0 (3.8)	2.0 (1.5)	1.1 (4.2)	0.031	0.021	1 npsm(m)	3/8	3/8

Basic Sprayer Wetted Parts: .....  
 zinc and nickel-plated carbon steel, stainless steel,  
 PTFE, Delrin®, chrome plating, leather, V-Max™  
 UHMWPE, aluminum, stainless steel, tungsten carbide,  
 ceramic, nylon, aluminum

**NOTE:** Delrin® is a registered trademark of the DuPont Co.

## Dimensions

Sprayer	Weight lb (kg)	Height in. (cm)	Width in. (cm)	Length in. (cm)
GH200 Gas	162 (73.6)	30 (76.2)	24 (61)	41 (104.1)
GH200 Electric	173 (78.6)	30 (76.2)	24 (61)	41 (104.1)

Sound Levels\*:  
 Sound Pressure ..... 96 dB(A)  
 Sound Power ..... 110 dB(A)

\* Measured at maximum normal load conditions (Gas only)

## Accessories

*Must be purchased separately.*

### GRACO-APPROVED HYDRAULIC OIL

**169236**      5 Gallons (19 liters)  
**207428**      1 Gallon (3.8 liters)

# Graco Standard Warranty

Graco warrants all equipment manufactured by Graco and bearing its name to be free from defects in material and workmanship on the date of sale by an authorized Graco distributor to the original purchaser for use. With the exception of any special, extended, or limited warranty published by Graco, Graco will, for a period of twelve months from the date of sale, repair or replace any part of the equipment determined by Graco to be defective. This warranty applies only when the equipment is installed, operated and maintained in accordance with Graco's written recommendations.

This warranty does not cover, and Graco shall not be liable for general wear and tear, or any malfunction, damage or wear caused by faulty installation, misapplication, abrasion, corrosion, inadequate or improper maintenance, negligence, accident, tampering, or substitution of non-Graco component parts. Nor shall Graco be liable for malfunction, damage or wear caused by the incompatibility of Graco equipment with structures, accessories, equipment or materials not supplied by Graco, or the improper design, manufacture, installation, operation or maintenance of structures, accessories, equipment or materials not supplied by Graco.

This warranty is conditioned upon the prepaid return of the equipment claimed to be defective to an authorized Graco distributor for verification of the claimed defect. If the claimed defect is verified, Graco will repair or replace free of charge any defective parts. The equipment will be returned to the original purchaser transportation prepaid. If inspection of the equipment does not disclose any defect in material or workmanship, repairs will be made at a reasonable charge, which charges may include the costs of parts, labor, and transportation.

**THIS WARRANTY IS EXCLUSIVE, AND IS IN LIEU OF ANY OTHER WARRANTIES, EXPRESS OR IMPLIED, INCLUDING BUT NOT LIMITED TO WARRANTY OF MERCHANTABILITY OR WARRANTY OF FITNESS FOR A PARTICULAR PURPOSE.**

Graco's sole obligation and buyer's sole remedy for any breach of warranty shall be as set forth above. The buyer agrees that no other remedy (including, but not limited to, incidental or consequential damages for lost profits, lost sales, injury to person or property, or any other incidental or consequential loss) shall be available. Any action for breach of warranty must be brought within two (2) years of the date of sale.

Graco makes no warranty, and disclaims all implied warranties of merchantability and fitness for a particular purpose in connection with accessories, equipment, materials or components sold but not manufactured by Graco. These items sold, but not manufactured by Graco (such as electric motors, switches, hose, etc.), are subject to the warranty, if any, of their manufacturer. Graco will provide purchaser with reasonable assistance in making any claim for breach of these warranties.

In no event will Graco be liable for indirect, incidental, special or consequential damages resulting from Graco supplying equipment hereunder, or the furnishing, performance, or use of any products or other goods sold hereto, whether due to a breach of contract, breach of warranty, the negligence of Graco, or otherwise.

## **FOR GRACO CANADA CUSTOMERS**

The parties acknowledge that they have required that the present document, as well as all documents, notices and legal proceedings entered into, given or instituted pursuant hereto or relating directly or indirectly hereto, be drawn up in English. Les parties reconnaissent avoir convenu que la rédaction du présente document sera en Anglais, ainsi que tous documents, avis et procédures judiciaires exécutés, donnés ou intentés à la suite de ou en rapport, directement ou indirectement, avec les procédures concernées.

**TO PLACE AN ORDER**, contact your Graco distributor, or call this number to identify the distributor closest to you:  
**1-800-690-2894 Toll Free**

*All written and visual data contained in this document reflects the latest product information available at the time of publication.  
Graco reserves the right to make changes at any time without notice.*

**Graco Headquarters:** Minneapolis  
**International Offices:** Belgium, China, Japan, Korea  
**GRACO INC. P.O. BOX 1441 MINNEAPOLIS, MN 55440-1441**  
www.graco.com  
Printed in USA 310548F  
8/2002 Rev. 06/2009