

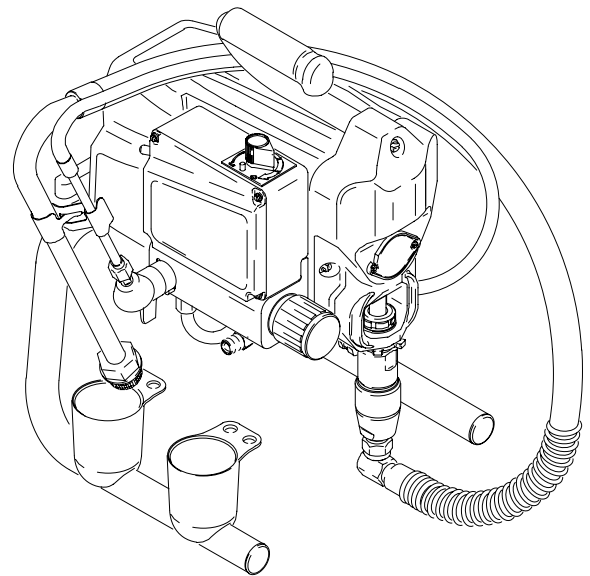
395/455/495st Pro™ Airless Paint Sprayers

3000 psi (207 bar, 20.7 MPa) Maximum Working Pressure

120 VAC

Type	Series	Stand	Lo-boy	Hi-boy	Gun FTx
395st Pro™	A			232922	243285
	B	232920			243285
455st Pro™	A	232930			243285
	B		232931	232932	243285
495st Pro™	B	232940	232941	232942	243285

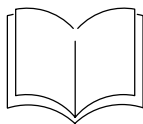
All models not available in all countries



232920

9546B

Related manuals



..... 309052



..... 309054



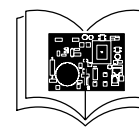
..... 309056



..... 309053



..... 309055



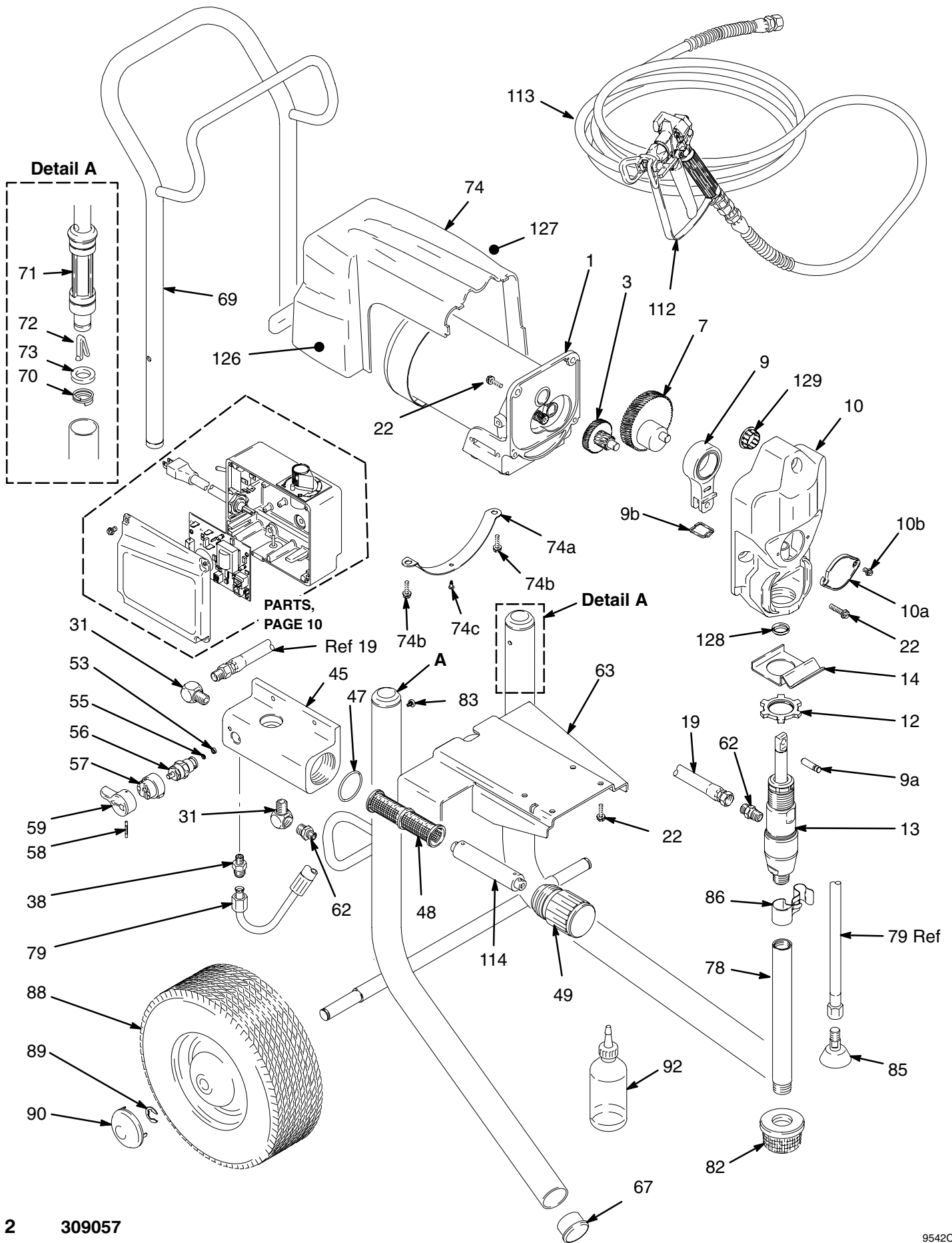
..... 309070

GRACO INC. P.O. BOX 1441 MINNEAPOLIS, MN 55440-1441

©COPYRIGHT 1999, GRACO INC.

Graco Inc. is registered to I.S. EN ISO 9001

Parts Drawing - Sprayer



Parts List - Sprayer

495st Pro
232942, B

REF NO.	PART NO.	DESCRIPTION	QTY	REF NO.	PART NO.	DESCRIPTION	QTY
1	242012*	MOTOR, 120 vac	1	70	110243	RING, retaining	2
3	243219	GEAR, combination	1	71	192027	SLEEVE, cart	2
7	243218	CRANK SHAFT	1	72	111590	BUTTON, snap	2
9	243221	CONNECTING ROD	1	73	183350	WASHER	2
		includes 9a and 9b		74	243216	SHROUD, motor	1
9a	195175	PIN, pump	1			includes 74a, 74b, 74c, 126 and 127	
9b	195512	RETAINER, pin	1	74a	195159	BRACKET, shroud	1
10	243220	DRIVE HOUSING	1	74b	114531	SCREW, slot hd, hex, washer hd	2
		includes 10a and 10b		74c	115509	SCREW, mach, pnhd, self-drill	1
10a	195099	COVER	1	78	195489	TUBE, suction, intake	1
10b	115492	SCREW	6	79	244042	HOSE, drain,	1
12	195150	NUT, jam, pump	1			includes 85, and 86	
13	243183	PUMP	1	82	183770	STRAINER	1
		Manual 309053		85	241920	DEFLECTOR, threaded	1
14	195497	HOOK, pail	1	86	195696	CLIP, spring	1
19	241926	HOSE, coupled, high pressure	1	88	106062	WHEEL, semi-pneumatic	2
22	115495	SCREW, slot hd, hex, washer hd	13	89	101242	RING, retaining, external	2
31	195847	ELBOW, 90° street	2	90	104811	CAP, hub	2
38	116150	FITTING, adapter	1	92	206994	FLUID, TSL, 8 oz	1
45	195157	HOUSING, filter	1	105	111483	CLAMP, cable	1
47	104361	O-RING	1	106	103473	STRAP, tie, wire	1
48	243080†	FILTER, fluid, 60 mesh	1	112	243285	GUN, contractor, FTx (515 RAC 5 tip)	1
49	195139	CAP, filter	1			Manual 309054	
53	111699	GASKET, seat, valve	1	113	240794	HOSE, coupled, 1/4 in. x 50 ft (15 m)	1
55	187615	VALVE, seat	1	114	196773	FILTER INSERT	1
56	235014	ASSY, drain valve	1	126	195833▲	LABEL, WARNING	1
		includes 53 and 55		127	195805▲	LABEL, DANGER	1
57	224807	ASSY, cam, drain valve	1	128	115491	WIPER, rod	1
58	111600	PIN, grooved	1	129	115979	PLUG	1
59	187625	HANDLE, valve, drain	1				
62	162453	NIPPLE, 1/4 npt(m) x 1/4 npsm	2				
63	241867	FRAME, cart	1				
67	108691	PLUG, tubing	2				
69	239998	HANDLE, cart	1				

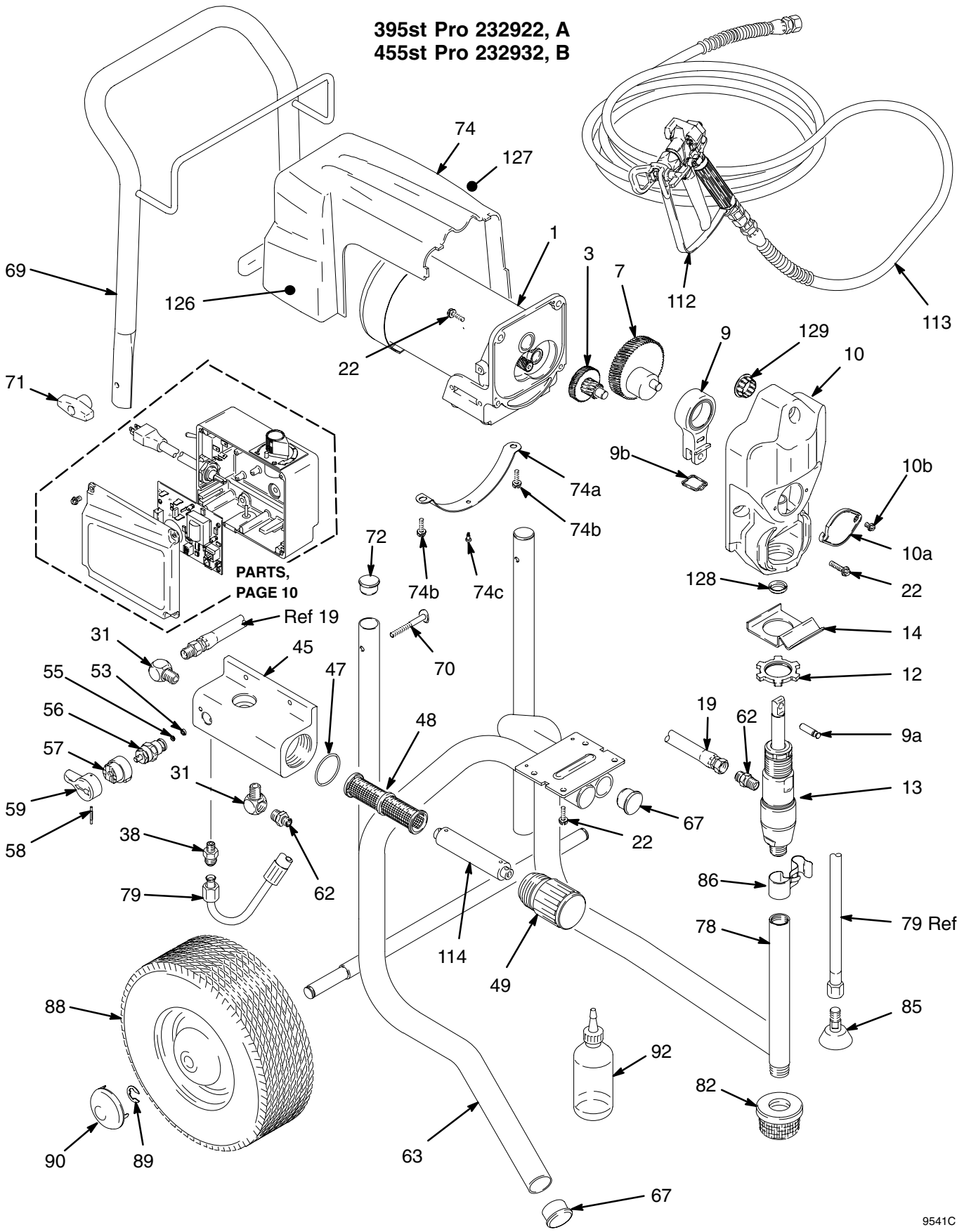
▲Extra Danger and Warning tags and labels available free.

* Motor Brush Kit 236967 is available

† Other filters available: 243081, 100 mesh; 243226, 200 mesh

Parts Drawing - Sprayer

395st Pro 232922, A
455st Pro 232932, B



Parts List - Sprayer

395st Pro 232922, A
455st Pro 232932, B

REF NO.	PART NO.	DESCRIPTION	QTY	REF NO.	PART NO.	DESCRIPTION	QTY
1		MOTOR, 120 vac		69	241938	HANDLE, cart	1
	242010*	395st Pro	1	70	115097	SCREW, curved head	2
	242011*	455st Pro	1	71	115480	KNOB, T-handle	2
3	243219	GEAR, combination	1	72	105521	PLUG, tubing	4
7	243218	CRANK SHAFT	1	74	243216	SHROUD, motor	1
9	243221	CONNECTING ROD	1			includes 74a, 74b, 74c, 126 and 127	
		includes 9a and 9b		74a	195159	BRACKET, shroud	1
9a	195175	PIN, pump	1	74b	114531	SCREW, slot hd, hex, washer hd	2
9b	195512	RETAINER, pin	1	74c	115509	SCREW, mach, pnhd, self-drill	1
10	243220	DRIVE HOUSING	1	78	195489	TUBE, suction, intake	1
10a	195099	COVER	1	79	244042	HOSE, drain,	1
10b	115492	SCREW	6			includes 85, and 86	
12	195150	NUT, jam, pump	1	82	183770	STRAINER	1
13	243183	PUMP	1	85	241920	DEFLECTOR, threaded	1
		Manual 309053		86	195696	CLIP, spring	1
14	195497	HOOK, pail	1	88	106062	WHEEL, semi-pneumatic	2
19	241926	HOSE, coupled, high pressure	1	89	101242	RING, retaining, external	2
22	115495	SCREW, slot hd, hex, washer hd	13	90	104811	CAP, hub	2
31	195847	ELBOW, 90° street	2	92	206994	FLUID, TSL, 8 oz	1
38	116150	FITTING, adapter	1	105	111483	CLAMP, cable	1
45	195157	HOUSING, filter	1	106	103473	STRAP, tie, wire	1
47	104361	O-RING	1	112	243285	GUN, contractor, FTx (515 RAC V tip)	1
48	243080†	FILTER, fluid, 60 mesh	1			Manual 309054	
49	195139	CAP, filter	1	113	240794	HOSE, coupled, 1/4 in. x 50 ft (15 m)	1
53	111699	GASKET, seat, valve	1	114	196773	FILTER INSERT	1
55	187615	VALVE, seat	1	126	195833▲	LABEL, WARNING	1
56	235014	ASSY, drain valve	1	127	195805▲	LABEL, DANGER	1
		includes 53 and 55		128	115491	WIPER, rod	1
57	224807	ASSY, cam, drain valve	1	129	115979	PLUG	1
58	111600	PIN, grooved	1				
59	187625	HANDLE, valve, drain	1				
62	162453	NIPPLE, 1/4 npt(m) x 1/4 npsm	2				
63	241934	FRAME, cart	1				
65	195177	HOLDER, TSL and suction tube	2				
67	107310	PLUG, tubing	4				

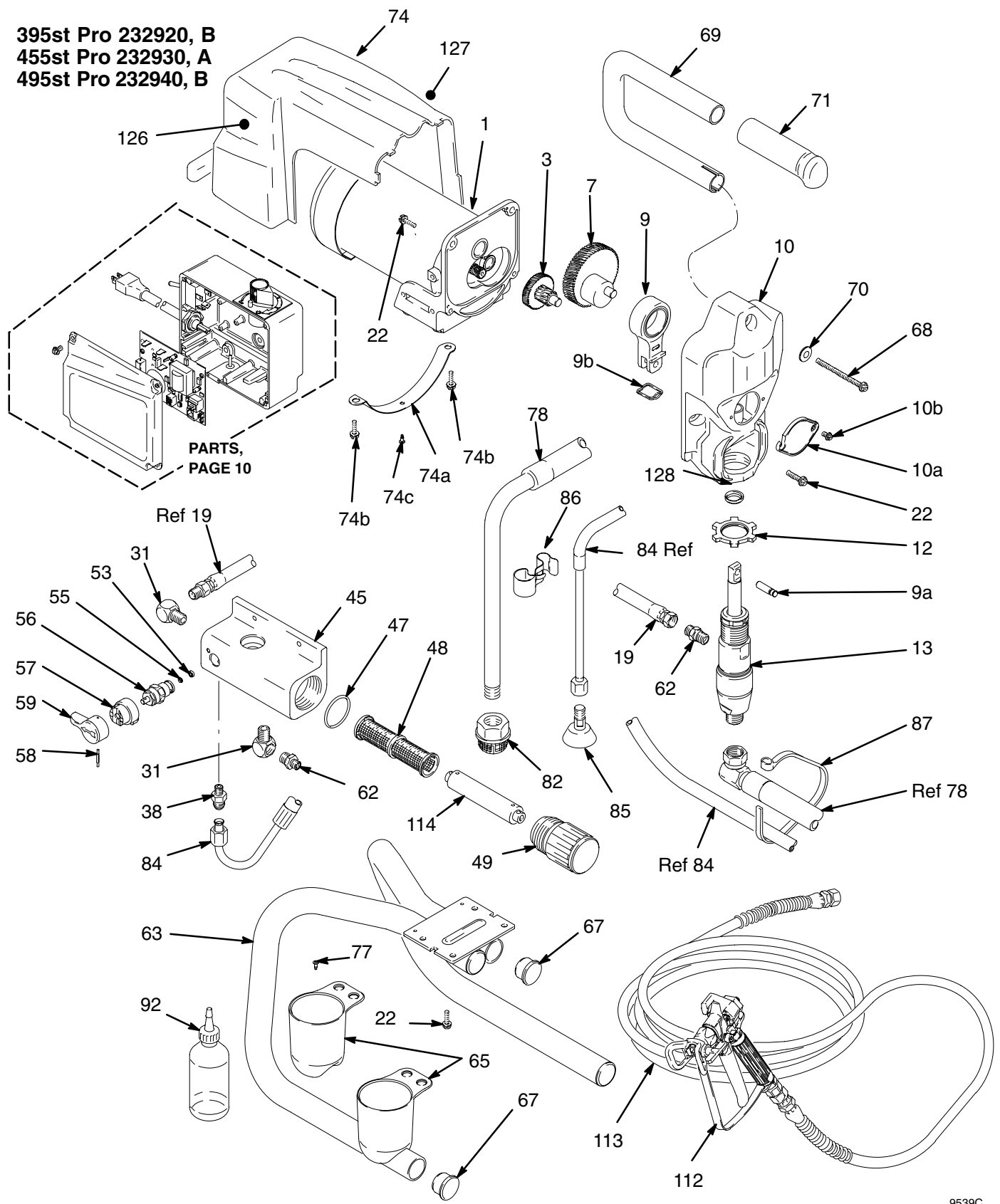
▲ *Extra Danger and Warning tags and labels available free.*

* Motor Brush Kit 236967 is available

† Other filters available: 243081, 100 mesh; 243226, 200 mesh

Parts Drawing - Sprayer

395st Pro 232920, B
 455st Pro 232930, A
 495st Pro 232940, B



PARTS,
 PAGE 10

9539C

Parts List - Sprayer

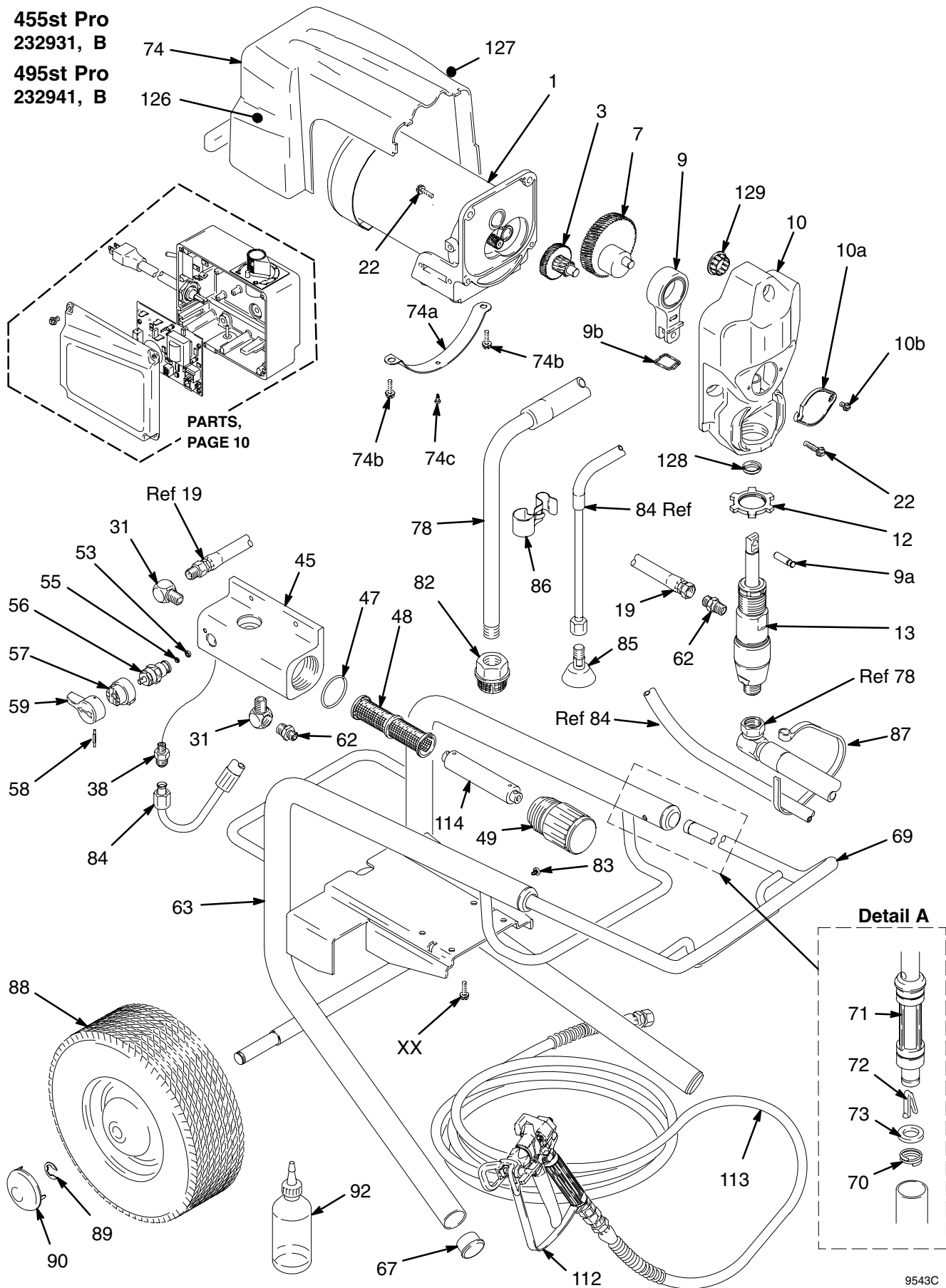
395st Pro; 232920, B
 455st Pro; 232930, A
 495st Pro; 232940, B

REF NO.	PART NO.	DESCRIPTION	QTY	REF NO.	PART NO.	DESCRIPTION	QTY
1		MOTOR, 120 vac		65	195177	HOLDER, TSL and suction tube	2
	242010*	395st Pro	1	67	107310	PLUG, tubing	4
	242011*	455st Pro	1	68	115506	SCREW, slot hd, hex, washer hd	1
	242012*	495st Pro	1	69	195155	HANDLE, sprayer	1
3	243219	GEAR, combination	1	70	100016	WASHER, lock	1
7	243218	CRANK SHAFT	1	71	116139	GRIP, handle	1
9	243221	CONNECTING ROD	1	74	243216	SHROUD, motor	1
		includes 9a and 9b				includes 74a, 74b, 74c, 126 and 127	
9a	195175	PIN, pump	1	74a	195159	BRACKET, shroud	1
9b	195512	RETAINER, pin	1	74b	114531	SCREW,	2
10	243220	DRIVE HOUSING	1	74c	115509	SCREW, mach, pnhd, self-drill	1
		includes 10a and 10b		78	244353	HOSE, suction, flexible	1
10a	195099	COVER	1	82	235004	STRAINER	1
10b	115492	SCREW	6	83	109032	SCREW, mach, pnhd	4
12	195150	NUT, jam, pump	1	84	244040	HOSE, drain,	1
13	243183	PUMP	1			includes 85, and 86	
		Manual 309053		85	241920	DEFLECTOR, threaded	1
19	241926	HOSE, coupled, high pressure	1	86	195186	CLIP, spring	1
22	115495	SCREW, slot hd, hex, washer hd	8	87	114958	STRAP, tie	1
31	195847	ELBOW, 90° street	2	92	206994	FLUID, TSL, 8 oz	1
38	116150	FITTING, adapter	1	105	111483	CLAMP, cable	1
45	195157	HOUSING, filter	1	106	103473	STRAP, tie, wire	1
47	104361	O-RING	1	112	243285	GUN, contractor, FTx (515 RAC V tip)	1
48	243080	FILTER, fluid, 60 mesh	1			Manual 309054	
49	195139	CAP, filter	1	113	240794	HOSE, coupled, 1/4 in. x 50 ft (15 m)	1
53	111699	GASKET, seat, valve	1	114	196773	FILTER INSERT	1
55	187615	VALVE, seat	1	126	195833▲	LABEL, WARNING	1
56	235014	ASSY, drain valve	1	127	195805▲	LABEL, DANGER	1
		includes 53 and 55		128	115491	WIPER, rod	1
57	224807	ASSY, cam, drain valve	1				
58	111600	PIN, grooved	1				
59	187625	HANDLE, valve, drain	1				
62	162453	NIPPLE, 1/4 npt(m) x 1/4 npsm	2				
63	241870	FRAME, stand mount	1				

▲ *Extra Danger and Warning tags and labels available free.*
 * Motor Brush Kit 236967 is available
 † Other filters available: 243081, 100 mesh; 243226, 200 mesh

Parts Drawing - Sprayer

455st Pro
232931, B
495st Pro
232941, B



Parts List - Sprayer

455st Pro; 232931, B
495st Pro: 232941, B

REF NO.	PART NO.	DESCRIPTION	QTY	REF NO.	PART NO.	DESCRIPTION	QTY
1		MOTOR, 120 vac		69	243205	HANDLE, cart	1
	242011*	455st	1	70	103117	RING, retaining	2
	242012*	495st	1	71	195501	SLEEVE, handle	2
3	243219	GEAR, combination	1	72	178565	BUTTON, snap	1
7	243218	CRANK SHAFT	1	73	195673	WASHER	2
9	243221	CONNECTING ROD	1	74	243216	SHROUD, motor	1
		includes 9a and 9b				includes 74a, 74b, 74c, 126 and 127	
9a	195175	PIN, pump	1	74a	195159	BRACKET, shroud	1
9b	195512	RETAINER, pin	1	74b	114531	SCREW,	2
10	243220	DRIVE HOUSING	1	74c	115509	SCREW, mach, pnhd, self-drill	1
		includes 10a and 10b		78	244353	HOSE, suction, flexible	1
10a	195099	COVER	1	82	235004	STRAINER	1
10b	115492	SCREW	6	83	109032	SCREW, Mach, phi	4
12	195150	NUT, jam, pump	1	84	244040	HOSE, drain,	1
13	243183	PUMP	1			includes 85, and 86	
		Manual 309053		85	241920	DEFLECTOR, threaded	1
19	241926	HOSE, coupled, high pressure	1	86	195186	CLIP, spring	1
22	115495	SCREW, slot hd, hex, washer hd	8	87	114958	STRAP, tie	1
31	195847	ELBOW, 90° street	2	88	195766	WHEEL, semi-pneumatic	2
38	116150	FITTING, adapter	1	89	101242	RING, retaining, external	2
45	195157	HOUSING, filter	1	90	104811	CAP, hub	2
47	104361	O-RING	1	92	206994	FLUID, TS, 8 oz.	1
48	243080	FILTER, fluid, 60 mesh	1	112	243285	GUN, contractor, FTC (515 ARC 5 tip)	1
49	195139	CAP, filter	1			Manual 309054	
53	111699	GASKET, seat, valve	1	113	240794	HOSE, coupled, 1/4 in. x 50 ft. (15 m)	1
55	187615	VALVE, seat	1	114	196773	FILTER INSERT	1
56	235014	ASSY, drain valve	1	126	195833▲	LABEL, WARNING	1
		includes 53 and 55		127	195805▲	LABEL, DANGER	1
57	224807	ASSY, cam, drain valve	1	128	115491	WIPER, rod	1
58	111600	PIN, grooved	1				
59	187625	HANDLE, valve, drain	1				
62	162453	NIPPLE, 1/4 npt(m) x 1/4 npsm	2				
63	241873	FRAME, low boy	1				
67	107310	PLUG, tubing	2				

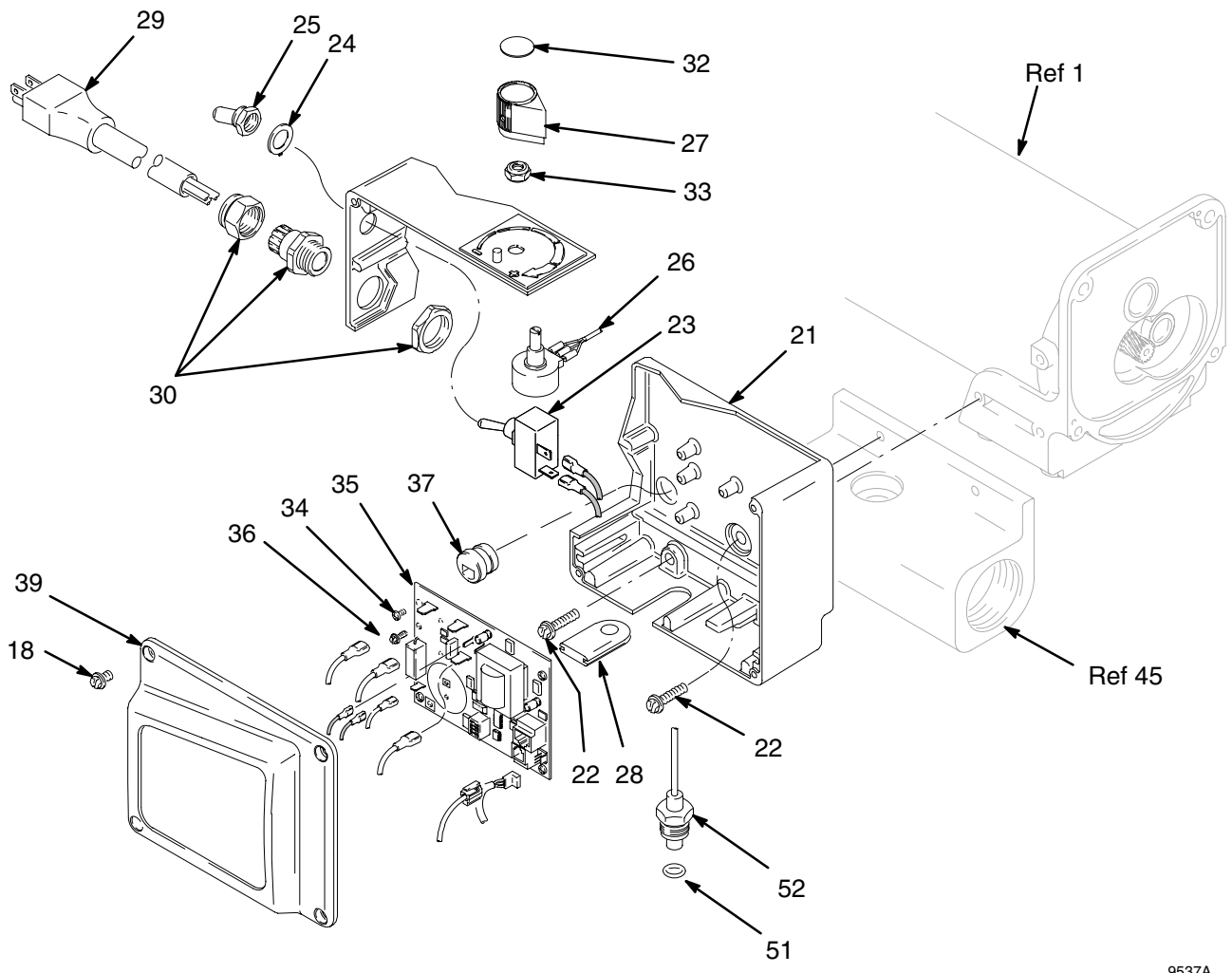
▲ Extra Danger and Warning tags and labels available free.

* Motor Brush Kit 236967 is available

† Other filters available: 243081, 100 mesh; 243226, 200 mesh

Parts Drawing - Sprayer

395/455/495st Pro



9537A

Parts List - Sprayer

395/455/495st Pro
233920 – 232949, B

REF NO.	PART NO.	DESCRIPTION	QTY	REF NO.	PART NO.	DESCRIPTION	QTY
18	115492	SCREW, slot hd., hex, washer hd	6	30	114421	BUSHING, strain relief	1
21	276539	HOUSING, control	1	32	193072	LABEL, control	1
22	115495	SCREW, slot hd, hex, washer hd	5	33	112382	NUT, shaft, sealing	1
23	195429	SWITCH, toggle	1	34	115498	SCREW, slot hd, hex, washer hd, GND	1
24	105658	RING, locking	1	35	241990	BOARD, control	1
25	195428	BOOT, toggle	1	36	115494	SCREW, 6-32 X 1/2, TAPTITE	5
26	236352	POTENTIOMETER, adjust, pressure	1	37	114689	BUSHING, strain relief	1
27	116167	KNOB, potentiometer	1	39	195147	COVER, control	1
28	195423	GROMMET, transducer	1	51	111457	O-RING	1
29		CORD SET, power		52	243222	TRANSDUCER, pressure control includes 51	1
	241729	Stand	1				
	241874	Hi-Boy and Lo-Boy	1	60	195866	WIRE, jumper	1

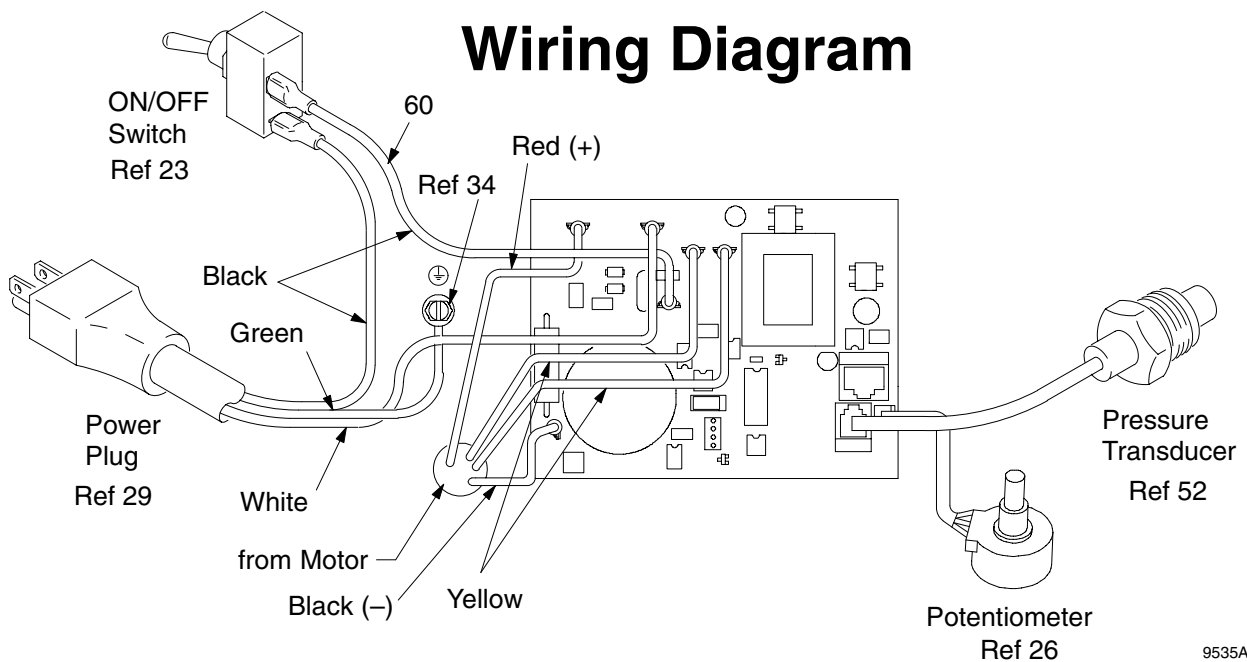


Fig. 1

9535A

TO PLACE AN ORDER OR FOR SERVICE, contact your Graco distributor, or call this number to identify the distributor near you: **1-800-690-2894 Toll Free**

All written and visual data contained in this document reflects the latest product information available at the time of publication. Graco reserves the right to make changes at any time without notice.

Sales Offices: Minneapolis, Detroit

International Offices: Belgium, Korea, Hong Kong, Japan

GRACO INC. P.O. BOX 1441 MINNEAPOLIS, MN 55440-1441

<http://www.graco.com>

PRINTED IN USA 309057 October 1999, Revised 12/2001