

# INSTRUCTIONS-PARTS LIST



308-073

This manual contains **IMPORTANT INSTRUCTIONS and WARNINGS.**  
 READ AND RETAIN FOR REFERENCE.

Rev B  
 Supersedes A and PCN B

120 V AC, 15 AMP

**ABATEMENT TECHNOLOGIES**

## LoPro 500 SPRAYER

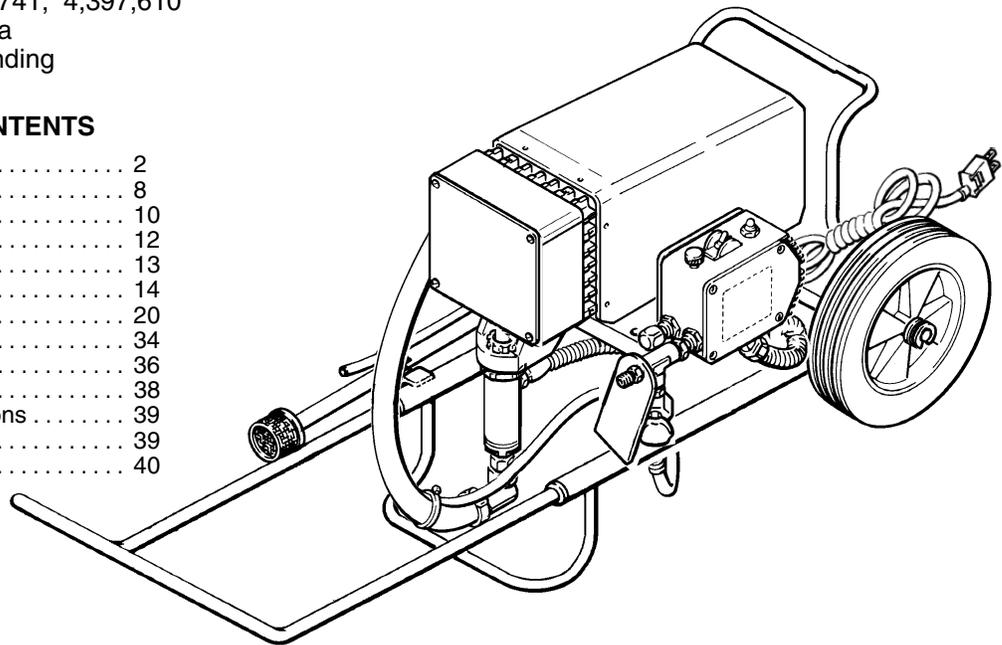
2750 psi (190 bar) MAXIMUM WORKING PRESSURE

**Model 231-123, Series B**

U.S. Patent No. 4,323,741; 4,397,610  
 Patented 1983, Canada  
 And Other Patents Pending

### TABLE OF CONTENTS

Warnings .....	2
Setup .....	8
Operation .....	10
Shutdown & Care .....	12
Flushing .....	13
Troubleshooting .....	14
Repair .....	20
Sprayer Parts .....	34
Pressure Control Parts .....	36
Pump Parts .....	38
Technical Data, Dimensions .....	39
Accessories .....	39
Warranty .....	40



**NOTE:** This is an example of the DANGER label on your sprayer.  
 This label is available in other languages, free of charge.  
 See page 39 to order.

<span style="float: left;">⚠</span> <span style="font-size: 2em; font-weight: bold;">DANGER</span> <span style="float: right;">⚠</span>	
	<p><b>FIRE AND EXPLOSION HAZARD</b></p>
	<p><b>SKIN INJECTION HAZARD</b></p>
<p>Spray painting, flushing or cleaning equipment with flammable liquids in confined areas can result in fire or explosion.</p> <p>Use outdoors or in extremely well ventilated areas. Ground equipment, hoses, containers and objects being sprayed.</p> <p>Avoid all ignition sources such as static electricity from plastic drop cloths, open flames such as pilot lights, hot objects such as cigarettes, arcs from connecting or disconnecting power cords or turning light switches on and off.</p> <p>Failure to follow this warning can result in death or serious injury.</p>	<p>Liquids can be injected into the body by high pressure airless spray or leaks – especially hose leaks.</p> <p>Keep body clear of the nozzle. Never stop leaks with any part of the body. Drain all pressure before removing parts. Avoid accidental triggering of gun by always setting safety latch when not spraying.</p> <p>Never spray without a tip guard.</p> <p>In case of accidental skin injection, seek immediate “Surgical Treatment”.</p> <p>Failure to follow this warning can result in amputation or serious injury.</p>
<p><b>READ AND UNDERSTAND ALL LABELS AND INSTRUCTION MANUALS BEFORE USE</b></p>	

GRACO INC. P.O. BOX 1441 MINNEAPOLIS, MN 55440-1441

©COPYRIGHT 1990, GRACO INC.

# SAFETY WARNINGS

HIGH PRESSURE SPRAY CAN CAUSE SERIOUS INJURY.  
FOR PROFESSIONAL USE ONLY. OBSERVE ALL WARNINGS

Read and understand all instruction manuals before operating equipment.

## FLUID INJECTION HAZARD

### General Safety

This equipment generates very high fluid pressure. Spray from the gun, leaks or ruptured components can inject fluid through your skin and into your body and cause extremely serious bodily injury, including the need for amputation. Also, fluid injected or splashed into the eyes or on the skin can cause serious damage.

NEVER point the spray gun at anyone or at any part of the body. NEVER put hand or fingers over the spray tip. NEVER try to “blow back” material; this is NOT an air spray system.

ALWAYS have the tip guard in place on the spray gun when spraying.

ALWAYS follow the **Pressure Relief Procedure**, below, before cleaning or removing the spray tip or servicing any system equipment.

NEVER try to stop or deflect leaks with your hand or body.

Be sure equipment safety devices are operating properly before each use.

### Medical Alert—Airless Spray Wounds

If any fluid appears to penetrate your skin, get **EMERGENCY MEDICAL CARE AT ONCE. DO NOT TREAT AS A SIMPLE CUT.** Tell the doctor exactly what fluid was injected.

**Note to Physician:** *Injection in the skin is a traumatic injury. It is important to treat the injury surgically as soon as possible. Do not delay treatment to research toxicity. Toxicity is a concern with some exotic coatings injected directly into the blood stream. Consultation with a plastic surgeon or reconstructive hand surgeon may be advisable.*

### Spray Gun Safety Devices

Be sure all gun safety devices are operating properly before each use. Do not remove or modify any part of the gun; this can cause a malfunction and result in serious bodily injury.

### Safety Latch

Whenever you stop spraying, even for a moment, always set the gun safety latch in the closed or “safe” position, making the gun inoperative. Failure to set the safety latch can result in accidental triggering of the gun.

### Diffuser

The gun diffuser breaks up spray and reduces the risk of fluid injection when the tip is not installed. Check diffuser operation regularly. Follow the **Pressure Relief Procedure**, below, then remove the spray tip. Aim the gun into a metal pail, holding the gun firmly to the pail. Using the lowest possible pressure, trigger the gun. If the fluid emitted is not diffused into an irregular stream, replace the diffuser immediately.

### Tip Guard

ALWAYS have the tip guard in place on the spray gun while spraying. The tip guard alerts you to the fluid injection hazard and helps reduce, but does not prevent, the risk of accidentally placing your fingers or any part of your body close to the spray tip.

### Trigger Guard

Always have the trigger guard in place on the gun when spraying to reduce the risk of accidentally triggering the gun if it is dropped or bumped.

### Spray Tip Safety

Use extreme caution when cleaning or changing spray tips. If the spray tip clogs while spraying, engage the gun safety latch immediately. ALWAYS follow the **Pressure Relief Procedure** and then remove the spray tip to clean it.

NEVER wipe off build-up around the spray tip until pressure is fully relieved and the gun safety latch is engaged.

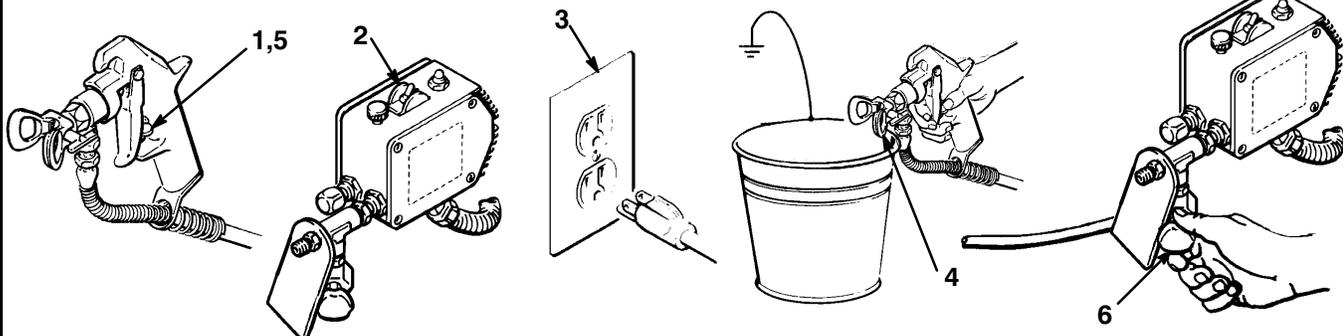
### Pressure Relief Procedure

To reduce the risk of serious bodily injury, including fluid injection, splashing fluid or solvent in the eyes or on the skin, or injury from moving parts or electric shock, always follow this procedure whenever you shut off the sprayer, when checking or servicing any part of the spray system, when installing, cleaning or changing spray tips, and whenever you stop spraying.

1. Engage the gun safety latch.
2. Turn the ON/OFF switch to OFF.
3. Unplug the sprayer.

4. Disengage the gun safety latch. Hold a metal part of the gun firmly to the side of a grounded metal pail, and trigger the gun to relieve pressure.
5. Engage the gun safety latch.
6. Open the pressure drain valve, having a container ready to catch the drainage. Leave the valve open until you are ready to spray again.

*If you suspect that the spray tip or hose is completely clogged, or that pressure has not been fully relieved after following the steps above, wrap a rag around the tip guard retaining nut or hose end coupling and VERY SLOWLY loosen the part to relieve pressure gradually, then loosen completely. Now clear the tip or hose.*



## MOVING PARTS HAZARD

Moving parts can pinch or amputate your fingers or other body parts. KEEP CLEAR of moving parts when starting or operating the sprayer. Follow the **Pressure Relief Procedure** on page 2 before checking or servicing any part of the sprayer, to prevent it from starting accidentally.

## EQUIPMENT MISUSE HAZARD

### General Safety

Any misuse of the spray equipment or accessories, such as overpressurizing, modifying parts, using incompatible chemicals and fluids, or using worn or damaged parts, can cause them to rupture and result in fluid injection, splashing in the eyes or on the skin, or other serious bodily injury, or fire, explosion or property damage.

NEVER alter or modify any part of this equipment; doing so could cause it to malfunction.

CHECK all spray equipment regularly and repair or replace worn or damaged parts immediately.

Always wear protective eyewear, gloves, clothing and respirator as recommended by the fluid and solvent manufacturer.

### System Pressure

This sprayer can develop **2750 psi (190 bar) MAXIMUM WORKING PRESSURE**. Be sure that all spray equipment and accessories used are rated to withstand this pressure. DO NOT exceed the maximum working pressure of any component or accessory used in the system.

### Fluid and Solvent Compatibility

All chemicals used in the sprayer must be chemically compatible with the wetted parts shown in the **TECHNICAL DATA** on page 39. Consult your chemical supplier to ensure compatibility.

Do not use 1,1,1-trichloroethane, methylene chloride, other halogenated hydrocarbon solvents or fluids containing such solvents in this equipment, which contains aluminum and/or zinc parts. Such use could result in a serious chemical reaction, with the possibility of explosion, which could cause death, serious bodily injury and/or substantial property damage.

## FIRE OR EXPLOSION HAZARD

Static electricity is created by the flow of fluid through the pump and hose. If every part of the spray equipment is not properly grounded, sparking may occur, and the system may become hazardous. Sparking may also occur when plugging in or unplugging a power supply cord or using a gasoline engine. Sparks can ignite fumes from solvents and the fluid being sprayed, dust particles and other flammable substances, whether you are spraying indoors or outdoors, and can cause a fire or explosion and serious bodily injury and property damage.

If you experience any static sparking or even a slight shock while using this equipment, **STOP SPRAYING IMMEDIATELY**. Check the entire system for proper grounding. Do not use the system again until the problem has been identified and corrected.

### Grounding

To reduce the risk of static sparking, ground the sprayer and all other spray equipment used or located in the spray area. CHECK your local electrical code for detailed grounding instructions for your area and type of equipment. BE SURE to ground all of this spray equipment:

1. *Sprayer*: plug the power supply cord, or extension cord, each equipped with an undamaged three-prong plug, into a properly grounded outlet. Do not use an adapter. All extension cords must have three wires and be rated for 15 amps.

## HOSE SAFETY

High pressure fluid in the hoses can be very dangerous. If the hose develops a leak, split or rupture due to any kind of wear, damage or misuse, the high pressure spray emitted from it can cause a fluid injection injury or other serious bodily injury or property damage.

**ALL FLUID HOSES MUST HAVE SPRING GUARDS ON BOTH ENDS!** The spring guards help protect the hose from kinks or bends at or close to the coupling which can result in hose rupture.

**TIGHTEN** all fluid connections securely before each use. High pressure fluid can dislodge a loose coupling or allow high pressure spray to be emitted from the coupling.

NEVER use a damaged hose. Before each use, check the entire hose for cuts, leaks, abrasion, bulging cover, or damage or movement of the hose couplings. If any of these conditions exist, replace the hose immediately. DO NOT try to recouple high pressure hose or mend it with tape or any other device. A repaired hose cannot contain the high pressure fluid.

**HANDLE AND ROUTE HOSES CAREFULLY.** Do not pull on hoses to move equipment. Keep hoses clear of moving parts and hot surfaces of the pump. Do not use fluids or solvents which are not compatible with the inner tube and cover of the hose. DO NOT expose Graco hose to temperatures above 180° F (82° C) or below -40° F (-40° C).

### Hose Grounding Continuity

Proper hose grounding continuity is essential to maintaining a grounded spray system. Check the electrical resistance of your fluid hoses at least once a week. If your hose does not have a tag on it which specifies the maximum electrical resistance, contact the hose supplier or manufacturer for the maximum resistance limits. Use a resistance meter in the appropriate range for your hose to check the resistance. If the resistance exceeds the recommended limits, replace it immediately. An ungrounded or poorly grounded hose can make your system hazardous. Also read **FIRE OR EXPLOSION HAZARD**.

2. *Fluid hoses*: use only grounded hoses with a maximum of 500 ft (150 m) combined hose length to ensure grounding continuity. See **Hose Grounding Continuity**.
3. *Spray gun*: obtain grounding through connection to a properly grounded fluid hose and sprayer.
4. *Object being sprayed*: according to local code.
5. *Fluid supply container*: according to local code.
6. *All solvent pails used when flushing*, according to local code. Use only metal pails, which are conductive. Do not place the pail on a non-conductive surface, such as paper or cardboard, which interrupts the grounding continuity.
7. *To maintain grounding continuity when flushing or relieving pressure*, always hold a metal part of the gun firmly to the side of a grounded metal pail, then trigger the gun.

### Flushing Safety

Reduce the risk of fluid injection injury, static sparking, or splashing by following the flushing procedure given on page 13 of this manual. Follow the **Pressure Relief Procedure** on page 2, and remove the spray tip before flushing. Hold a metal part of the gun firmly to the side of a grounded metal pail and use the lowest possible fluid pressure during flushing.

## IMPORTANT

United States Government safety standards have been adopted under the Occupational Safety and Health Act. These standards – particularly the General Standards, Part 1910, and the Construction Standards, Part 1926 – should be consulted.

# AVERTISSEMENT

La pulvérisation à haute pression peut causer des blessures très graves.  
Réservé exclusivement à l'usage professionnel. Observer toutes les consignes de sécurité.  
Bien lire et bien comprendre tous les manuels d'instructions avant d'utiliser le matériel.

## RISQUES D'INJECTION

### Consignes générales de sécurité

Cet appareil produit un fluide à très haute pression. Le fluide pulvérisé par le pistolet ou le fluide sous pression provenant de fuites ou de ruptures peut pénétrer sous la peau ou à l'intérieur du corps et entraîner des blessures très graves, voir même une amputation. Même sans être sous pression, le fluide éclaboussant ou entrant dans les yeux peut aussi entraîner des blessures graves.

NE JAMAIS pointer le pistolet vers quelqu'un ou vers une partie quelconque du corps. NE JAMAIS mettre la main ou les doigts sur l'ajutage du pulvérisateur. NE JAMAIS essayer de "refouler" la peinture.

TOUJOURS garder la protection de l'ajutage en place sur le pistolet pendant la pulvérisation.

TOUJOURS observer la **Marche à Suivre pour Détendre la Pression** donnée plus loin, avant de nettoyer ou d'enlever l'ajutage du pulvérisateur, ou d'effectuer un travail quelconque sur une partie de l'appareil.

NE JAMAIS essayer d'arrêter ou de dévier les fuites avec la main ou le corps.

Avant chaque utilisation, bien s'assurer que les dispositifs de sécurité fonctionnent correctement.

### Soins médicaux

En cas de pénétration de fluide sous la peau: **DEMANDER IMMEDIATEMENT DES SOINS MEDICAUX D'URGENCE.** NE PAS SOIGNER CETTE BLESSURE COMME UNE SIMPLE COUPURE.

*Avis au médecin:* La pénétration des fluides sous la peau est un traumatisme. **Il est important de traiter chirurgicalement cette blessure immédiatement.** Ne pas retarder le traitement pour effectuer des recherches sur la toxicité. Certains revêtements exotiques sont dangereusement toxiques quand ils sont injectés directement dans le sang. Il est souhaitable de consulter un chirurgien esthétique ou un chirurgien spécialisé dans la reconstruction des mains.

### Dispositifs de sécurité du pistolet

Avant chaque utilisation, bien s'assurer que tous les dispositifs de sécurité du pistolet fonctionnent correctement. Ne pas enlever ni modifier une partie quelconque du pistolet; ceci risquerait d'entraîner un mauvais fonctionnement et des blessures graves.

#### Verrou de sécurité

A chaque fois que l'on s'arrête de pulvériser, même s'il s'agit d'un court instant, toujours mettre le verrou de sécurité du pistolet sur la position "fermée" ou "sécurité" ("safe") pour empêcher le pistolet de fonctionner. Si le verrou de sécurité n'est pas mis, le pistolet peut se déclencher accidentellement.

#### Diffuser

Le diffuseur du pistolet sert à diviser le jet et à réduire les risques d'injection accidentelle quand l'ajutage n'est pas en place. Vérifier le fonctionnement du diffuseur régulièrement. Pour cette vérification, détendre la pression en observant la **Marche à Suivre pour Détendre la Pression** donnée plus loin puis enlever l'ajutage du pulvérisateur. Pointer le pistolet dans un seau en métal, en le maintenant fermement contre le seau. Puis, en utilisant la pression la plus faible possible, appuyer sur la gachette du pistolet. Si le fluide projette *n'est pas* diffusé sous forme de jet irrégulier, remplacer immédiatement le diffuseur.

#### Protection de l'ajutage

TOUJOURS maintenir la protection de l'ajutage en place sur le pistolet du pulvérisateur pendant la pulvérisation. La protection de l'ajutage attire l'attention sur les risques d'injection et contribue à réduire, mais n'évite pas le risque, que les doigts ou une partie quelconque du corps ne passent accidentellement à proximité immédiate de l'ajutage du pulvérisateur.

### Consignes de sécurité concernant l'ajutage du pulvérisateur

Faire extrêmement attention à l'occasion du nettoyage ou du remplacement des ajutages du pulvérisateur. Si l'ajutage se bouche pendant la pulvérisation, mettre immédiatement le verrou de sécurité du pistolet. TOUJOURS bien observer la **Marche à Suivre pour Détendre la Pression** puis enlever l'ajutage du pulvérisateur pour le nettoyer.

NE JAMAIS essayer ce qui s'est accumulé autour de l'ajutage du pulvérisateur avant que la pression ne soit complètement tombée et que le verrou de sécurité du pistolet ne soit engagé.

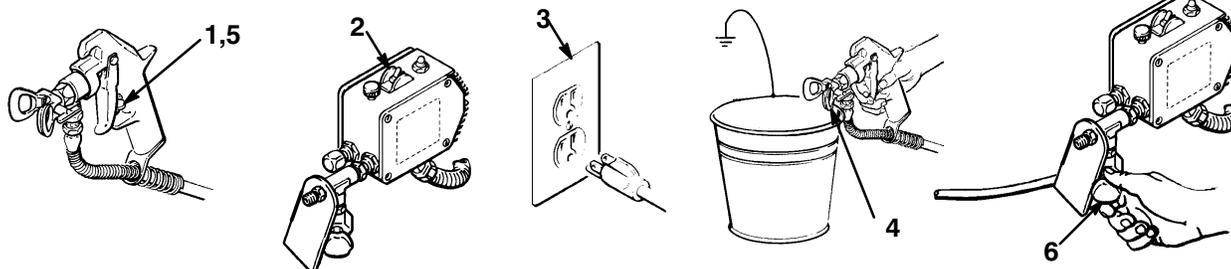
### Marche à Suivre pour Détendre la Pression

Pour réduire les risques de blessures graves, y compris les blessures par injection de fluide ou celles causées par des éclaboussures dans les yeux ou sur la peau, des pièces en mouvement ou par électrocution, toujours bien observer cette marche à suivre à chaque fois que l'on arrête le pulvérisateur, à l'occasion de la vérification, du réglage ou du nettoyage du système ou lors du changement des ajutages.

1. Engager le verrou de sécurité du pistolet.
2. Basculer l'interrupteur de commande de pression sur ARRÊT (OFF).
3. Débrancher le cordon d'alimentation.

4. Désengager le verrou de sécurité du pistolet. Tout en maintenant une partie métallique du pistolet fermement appuyée contre le côté d'un seau en métal, actionner le pistolet pour libérer la pression.
5. Engager le verrou de sécurité du pistolet.
6. Ouvrir la soupape de sécurité et la laisser ouverte jusqu'à ce que l'on soit prêt à se servir de nouveau du pulvérisateur. Débrancher le fil de la bougie.

Si l'on soupçonne que le tuyau ou l'ajutage du est complètement bouché, ou que la pression n'a pas été complètement libérée après avoir procédé aux opérations ci-dessus, desserrer très LENTEMENT un raccord du bout du tuyau ou l'écrou de retenue de la protection de l'ajutage et libérer progressivement la pression.



## RISQUES EN CAS DE MAUVAISE UTILISATION DU MATERIEL

### Consignes générales de sécurité

Toute utilisation anormale de l'appareil de pulvérisation ou des accessoires comme, par exemple, la mise sous une pression excessive, les modifications de pièces, l'utilisation de produits chimiques et de matières incompatibles et l'utilisation de pièces usées ou abîmées peut causer des dégâts à l'appareil ou des ruptures de pièces et entraîner une injection de liquide ou d'autres blessures sérieuses, un incendie, une explosion ou d'autres dégâts.

NE JAMAIS alterer ou modifier une pièce de cet appareil; ceci risquerait d'entraîner son mauvais fonctionnement.

Vérifier régulièrement tout l'appareil de pulvérisation et ses équipements et réparer ou remplacer immédiatement les pièces usées ou abîmées.

### MESURES DE SÉCURITÉ CONCERNANT LES TUYAUX FLEXIBLES

Le fluide à haute pression circulant dans les tuyaux peut être très dangereux. En cas de fuite sur le tuyau, de fissure, déchirure ou rupture à la suite de l'usure, de dégâts ou d'une mauvaise utilisation, les projections de fluide haute pression qui en proviennent peuvent entraîner des blessures graves par pénétration sous la peau ou par contact, ainsi que des dégâts matériels.

#### TOUS LES TUYAUX FLEXIBLES DOIVENT AVOIR DES RESORTS SPIRALE DE PROTECTION AUX BOUTS!

Les spirales de protection contribuent à éviter la formation de pliures, de boucles ou de nœuds sur les tuyaux qui pourraient entraîner la rupture du tuyau à l'endroit du raccord ou à son voisinage.

SERRER FERMEMENT tous les raccords avant chaque utilisation. Le fluide sous pression peut faire sauter un raccord desserré ou produire un jet à haute pression s'échappant par le raccord.

NE JAMAIS utiliser un tuyau endommagé. NE PAS essayer de refaire le raccord d'un tuyau haute pression ni de réparer le tuyau avec du ruban adhésif ou par tout autre moyen. Un tuyau réparé ne peut pas résister au fluide sous pression.

### RISQUES D'INCENDIE OU D'EXPLOSION

De l'électricité statique est produite par le passage du fluide à grande vitesse dans la pompe et dans les tuyaux. Si toutes les pièces de l'appareil de pulvérisation ne sont pas convenablement reliées à la masse ou à la terre, des étincelles peuvent se produire et l'appareil risque d'être dangereux. Des étincelles peuvent également se produire à l'occasion du branchement ou du débranchement du cordon d'alimentation. Les étincelles sont suffisantes pour allumer les vapeurs de solvants et le fluide pulvérisé, les fines particules de poussière ainsi que d'autres substances inflammables, quand on pulvérise à l'intérieur ou à l'extérieur, et elles peuvent causer un incendie ou une explosion, ainsi que des blessures graves et des dégâts matériels. Toujours brancher le pulvérisateur dans une prise se trouvant à au moins 6 m (20 pieds) de l'appareil et de l'endroit où se fait la pulvérisation. Ne pas brancher ou débrancher un cordon d'alimentation quel qu'il soit dans la zone où se fait la pulvérisation quand il y a le moindre risque que des vapeurs encore présentes dans l'air prennent feu.

S'il se produit des étincelles d'électricité statique, ou si vous ressentez la moindre décharge, ARRÊTEZ IMMÉDIATEMENT LA PULVÉRISATION. Vérifiez que le système entier est bien mis à la terre. Ne vous servez pas du système avant que le problème soit identifié et corrigé.

#### Mise à la terre ou à la masse

Pour réduire les risques de production d'étincelles d'électricité statique, le pulvérisateur et tous les équipements utilisés ou se trouvant dans la zone de pulvérisation doivent être reliés à la terre ou à la masse. Pour connaître le détail des instructions de mise à la terre dans la région et le type particulier d'équipement, CONSULTER le code ou les réglementations électriques locales. S'ASSURER que tous les équipements de pulvérisation suivants sont bien reliés à la terre:

1. *Pulvérisateur*: Brancher le cordon d'alimentation ou la rallonge qui doivent être équipés d'une prise à 3 fiches en bon état, dans une prise de courant convenablement mise à la terre. Ne pas utiliser d'adaptateur. Toutes les rallonges doivent avoir 3 fils et être prévues pour 15 ampères.

### Pression

Ce pulvérisateur peut produire une **PRESSION MAXIMUM DE TRAVAIL** 190 bar (2750 lb/po2). S'assurer que tous les éléments du pulvérisateur et ses accessoires sont conçus pour résister à la pression maximum de travail de ce pulvérisateur. NE PAS dépasser la pression maximum de travail d'aucun des éléments ou accessoires utilisés avec cet appareil.

### Compatibilité chimique des corps

BIEN S'ASSURER que tous les corps des solvants utilisés sont chimiquement compatibles avec les parties mouillées indiquées dans les **TECHNICAL DATA**, à page 39. Toujours lire soigneusement les documents et brochures du fabricant des fluides et solvants utilisés avant de s'en servir dans ce pulvérisateur.

MANIPULER LES TUYAUX AVEC PRECAUTION ET CHOISIR SOIGNEUSEMENT LEUR CHEMIN. Ne pas déplacer le fluide en tirant sur le tuyau. Ne pas utiliser de fluides ou de solvants qui ne sont pas compatibles avec l'enveloppe intérieure ou extérieure du tuyau. NE PAS exposer le tuyau à des températures supérieures à 82<sup>0</sup> C (180<sup>0</sup> F) ou inférieures à -40<sup>0</sup> C (-40<sup>0</sup> F).

### Continuité de la mise à la terre des tuyaux

Une bonne continuité de la mise à la terre des tuyaux est essentielle pour maintenir la mise à la terre de l'ensemble de vaporisation. Vérifiez la résistance électrique de vos tuyaux à fluides et à air, au moins une fois par semaine. Si votre tuyau ne comporte pas d'étiquette qui précise la résistance électrique maximum, prenez contact avec le fournisseur de tuyaux ou la fabricant pour avoir les limites de résistance maximum. Utilisez un mètre de résistance de la gamme appropriée pour votre tuyau et vérifiez la résistance. Si celle-ci dépasse les limites recommandées, remplacez le tuyau immédiatement. Un tuyau sans mise à la terre ou avec une mise à la terre incorrecte peut entraîner des risques pour votre système. Lisez aussi **LES RISQUES D'INCENDIE OU D'EXPLOSION** ci-dessus.

2. *Tuyaux flexibles*: Afin d'assurer la continuité de la mise à la terre, n'utiliser que des tuyaux comportant une mise à la terre et ayant une longueur maximum combinée de 150 m (1500 pieds). Se reporter également au paragraphe **Continuité du circuit de mise à la terre des tuyaux**.
3. *Pistolet*: Réaliser la mise à la terre en le raccordant à un tuyau flexible et à un pulvérisateur déjà convenablement reliés à la terre.
4. *Réceptacle d'alimentation*: observer le code ou les réglementations locales.
5. *Objets, matériel ou surfaces recevant la pulvérisation*: observer le code ou les réglementations locales.
6. *Tous les seaux de solvants* utilisés pour le rinçage: observer le code ou les réglementations locales. N'utiliser que des seaux métalliques conducteurs de l'électricité. Ne pas mettre le seau sur une surface non conductrice comme sur du papier ou du carton car cela interromprait la continuité de la mise à la terre.
7. *Pour conserver la continuité de la mise à la terre quand on rince le matériel ou quand on libère la pression*, toujours maintenir une partie métallique du pistolet fermement appuyée contre le côté d'un seau en métal puis appuyer sur la détente du pistolet.

### Mesures de sécurité concernant le Rinçage

Pour réduire les risques de blessures par pénétration de la peau et les risques dus aux étincelles d'électricité statique ou aux éclaboussures, observer la marche à suivre pour le rinçage donnée à la page 13 de ce manuel. Observer la "Marche à Suivre pour Détendre la Pression" donnée à la page 4 en *enlever l'ajutage du pulvérisateur avant le rinçage*. Maintenir une partie métallique du pistolet fermement appuyée contre le côté d'un seau en métal et utiliser la pression la plus faible possible pendant le rinçage.

# ADVERTENCIA

**EL ROCIADO a ALTA PRESIÓN PUEDE CAUSAR GRAVES LESIONES. SOLO PARA USO PROFESIONAL. RESPETE LOS AVISOS DE ADVERTENCIA.**

**Lea y entienda todo el manual de instrucciones antes de manejar el equipo.**

## PELIGRO DE INYECCIÓN DE FLUIDO

### Seguridad general

Este equipo genera un fluido a una presión muy alta. El rociado de la pistola, los escapes de fluido o roturas de los componentes pueden inyectar fluido en la piel y el cuerpo y causar lesiones extremadamente graves, incluyendo a veces la necesidad de amputación. También, el fluido inyectado o salpicado en los ojos puede causar graves daños.

NUNCA apuntar la pistola hacia alguien o alguna parte del cuerpo. NUNCA colocar la mano o los dedos encima de la boquilla. NUNCA tratar de "hacer retornar la pintura"; este NO es un sistema de rociado de aire.

SIEMPRE tener colocado el protector de la boquilla en la pistola mientras se está pulverizando.

SIEMPRE seguir el procedimiento de descarga de presión, dado más abajo, antes de limpiar o sacar la boquilla o de dar servicio a cualquier equipo del sistema.

NUNCA tratar de parar o desviar los escapes con la mano o el cuerpo.

Asegurar que todos los aparatos de seguridad del equipo están funcionando bien antes de cada uso.

### Tratamiento médico

Si pareciera que un poco de fluido penetró la piel, conseguir **TRATAMIENTO MÉDICO DE URGENCIA DE INMEDIA TO. NO TRATAR LA HERIDA COMO UN SIMPLE CORTE.** Decir al médico exactamente cual fluido fue.

**Aviso al médico:** Si se llega a inyectar este fluido en la piel se causa una lesión traumática. **Es importante tratar quirúrgicamente la lesión a la brevedad posible.** No demorar el tratamiento para investigar la toxicidad. La toxicidad es algo de suma importancia en algunas pinturas exóticas cuando se inyectan directamente al torrente sanguíneo. Sirá conveniente consultar a un especialista en cirugía plástica o reconstructiva de las manos.

### Aparatos de seguridad de la pistola pulverizadora

Asegurar que todos los aparatos protectores de la pistola están funcionando bien antes de cada uso. No sacar ni modificar ninguna pieza de la pistola pues podría causar el malfuncionamiento de la misma con las consiguientes lesiones personales.

#### Pestillo de seguridad

Cada vez que se deje de pulverizar, aunque sea por un breve momento, siempre colocar el pestillo de seguridad en la posición "cerrada" lo que deja la pistola inoperante. El no hacerlo puede llevar al disparo imprevisto de la pistola.

#### Difusor

El difusor de la pistola dispersa el chorro pulverizado y reduce el riesgo de inyección cuando no está instalada la boquilla.

Revisar con regularidad el funcionamiento del difusor. Seguir el **procedimiento de descarga de presión**, dado más abajo, y después sacar la boquilla. Apuntar la pistola a un balde metálico, sosteniéndola bien firme contra el. Utilizando la presión más bajo posible, disparar la pistola. Si el fluido emitido no sale disperso en un chorro irregular, reemplazar de inmediato el difusor.

#### Protector de la boquilla

SIEMPRE tener el protector de la boquilla colocado en la pistola mientras se está pulverizando. Este protector llama la atención contra el peligro de inyección y ayuda a reducir, pero no evita, la colocación accidental de los dedos o cualquier otra parte del cuerpo cerca de la boquilla.

### Seguridad de la boquilla pulverizadora

Tener mucho cuidado al limpiar o cambiar las boquillas. Si llega a obstruirse mientras está pulverizando, enganchar el pestillo de la pistola de inmediato. SIEMPRE seguir el **procedimiento de descarga de presión** y después sacar la boquilla para limpiarla.

NUNCA limpiar la acumulación de pintura alrededor de la boquilla antes de que se haya descargado por completo la presión y el pestillo este enganchado.

### Procedimiento de descarga de presión

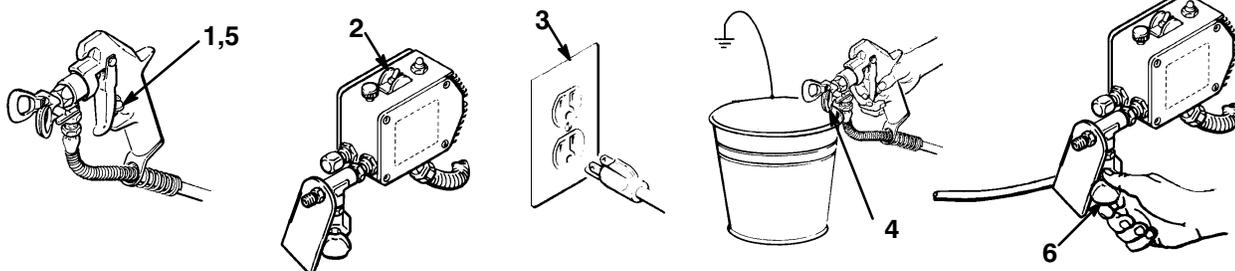
Para reducir el riesgo de sufrir graves lesiones corporales, incluyendo inyección o lesiones causadas por piezas en movimiento o choque eléctrico, siempre seguir este procedimiento al apagar la máquina pulverizadora, al revisar o dar servicio a cualquier parte del sistema de pulverización, al instalar, limpiar o cambiar las boquillas, y cada vez que se deja de pulverizar.

1. Enganchar el pestillo de la pistola.
2. Mover el interruptor eléctrico (ON/OFF) a la posición OFF (apagado).
3. Desenchufar el cordón eléctrico.
4. Desenganchar el pestillo de la pistola. Sujetar una parte metálica de la pistola bien firme contra un balde de metal, y disparar la pistola para descargar la presión.

5. Enganchar el pestillo de la pistola.

6. Abrir la válvula de presión y tener listo un recipiente para recibir la pintura. Dejar la válvula de alivio de presión abierta hasta que se este nuevamente listo para pulverizar.

Si se sospecha que la boquilla o la manguera está completamente obstruida, o que no se ha descargado por completo la presión después de haber seguido el procedimiento anterior, aflojar MUY LENTAMENTE la tuerca de retención del protector de la boquilla o acoplamiento de la punta de la manguera y descargar gradualmente la presión, después, aflojarlo por completo. Luego, despejar la boquilla o la manguera.



## PELIGRO POR MAL USO DEL EQUIPO

### Seguridad general

Cualquier mal uso del equipo pulverizador o los accesorios, tal como sobrepresurización, modificación de piezas, uso de materiales y productos químicos incompatibles, o utilización de piezas dañadas o desgastadas, puede hacer que se rompan y causen la inyección de fluido u otras lesiones corporales graves, incendio, explosión o daño a la propiedad.

NUNCA alterar o modificar ninguna pieza de este equipo; el hacerlo podría causar una avería.

REVISAR con regularidad el equipo pulverizador y reparar o reemplazar de inmediato las piezas dañadas o desgastadas.

## SEGURIDAD EN EL USO DE LAS MANGUERAS

El fluido que escapa a alta presión por las mangueras puede ser muy peligroso. Si en la manguera se desarrolla un escape, una rotura o rajadura debido a cualquier tipo de desgaste, daño o maltrato, el chorro a alta presión emitido por allí puede causar una lesión por inyección u otras lesiones corporales graves o daños a la propiedad.

### ¡TODAS LAS MANGUERAS PARA FLUIDOS TIENEN QUE TENER GUARDAS DE RESORTE EN AMBOS EXTREMOS!

Estas protegen las mangueras contra dobleces o retorceduras en los acoplamientos o cerca de ellos, los que podrían traducirse en roturas de la manguera.

Antes de usarlas, APRETAR bien firmes todas las conexiones. El fluido a alta presión puede desalojar un acoplamiento suelto o dejar que por el escape un chorro a alta presión.

NUNCA usar una manguera que está dañada. Siempre, revisarla en busca de cortaduras, escapes, abrasión, cubierta abultada, o acoplamientos sueltos o dañados. Si llegara a encontrarse cualquiera de estas condiciones, reemplazar de inmediato la manguera. NO intentar racoplar una manguera de alta presión o enmendarla con cinta adhesiva u otro material similar. Una manguera que ha sido remendada no aguante el fluido a alta presión.

## PELIGRO DE INCENDIO O EXPLOSIÓN

El flujo a alta velocidad del fluido al pasar por la bomba y manguera crea electricidad estática. Si todas las partes del equipo pulverizador no tienen buena tierra, pueden ocurrir chispas, convirtiendo al sistema en algo peligroso. También, pueden producirse chispas al enchufar o desenchufar el cordón eléctrico o al usar un motor de gasolina. Estas chispas pueden inflamar los vapores de los solventes y el chorro de fluido pulverizado, partículas de polvo y otras sustancias inflamables, sea al aire libre o bajo techo, lo que podría causar una explosión o incendio y graves lesiones corporales y daños a la propiedad. Enchufar siempre la pulverizadora a un tomacorriente que se encuentre a por lo menos 6 m (20 pies) de la máquina y del área que se va a rociar. No enchufar o desenchufar ningún cordón eléctrico en el lugar donde se está rociando cuando todavía exista la posibilidad de que queden vapores inflamables en el aire.

Si ocurre una chispa de electricidad estática o incluso un ligero choque eléctrico mientras se usa el equipo, DEJAR DE PULVERIZAR DE INMEDIATO. Revisar todo el sistema en busca de una tierra apropiada. No usar de nuevo el sistema hasta haber identificado y solucionado el problema.

### Peusta a tierra

Para reducir el riesgo de chispas estáticas, conectar a tierra la pulverizadora y todo el otro equipo de pulverizar que se use o se encuentre en el lugar que se va a rociar. Consultar el código eléctrico de la localidad para las instrucciones sobre las conexiones a tierra exigidas para la zona y tipo de equipo. Asegurar de conectar a tierra todo este equipo pulverizador:

1. *Pulverizadora:* enchufar el cordón eléctrico, o cable extensor, cada uno un enchuf de tres patas en buen estado, a un tomacorriente con puestas a tierra apropiado. No usar un adaptador. Todos los cables extensores tienen que tener tres hilos y una capacidad de 15 amperios.

### Presión del sistema

está pulverizadora puede desarrollar 190 barías (2750 psi) de presión DE TRABAJO MÁXIMA. Asegurar que todo el equipo pulverizador y sus accesorios tienen la capacidad para aguantar la presión máxima de trabajo de está pulverizadora. NO exceder la presión máxima de trabajo de ningún componente o accesorio de este sistema.

### Compatibilidad de fluido

Siempre leer las instrucciones del fabricante del fluido y solvente antes de usarlos en está pulverizadora.

Siempre usar gafas, guantes, vestimetas protectora y un respiradero, tal como recomiendan los fabricantes del fluido y del solvente.

MANEJAR Y PASAR CUIDADOSAMENTE LAS MANGUERAS. No tirar de las mangueras para mover el equipo. No usar fluidos o solventes que sean incompatibles con el tubo interno y la cubierta de la manguera. NO exponer las mangueras a temperaturas sobre 82<sup>o</sup> C (180<sup>o</sup> F) o bajo -40<sup>o</sup> C (-40<sup>o</sup> F).

### Continuidad del circuito de puestá a tierra de la manguera

La continuidad del circuito de puestá a tierra apropiado es esencial para mantener conectado a tierra el sistema pulverizador. Es indispensable revisar la resistencia eléctrica máxima de las mangueras de aire y de fluido por lo menos una vez a la semana. Si la manguera no tiene una etiqueta en la cual se especifica la resistencia eléctrica, ponerse en contacto con el proveedor o fabricante de la manguera para la información sobre los límites de resistencia. Usar un metro de resistencia en la gama apropiada para comprobar la resistencia; si excede los límites recomendados, reemplazarla de inmediato. Es muy arriesgado tener una manguera sin puestá a tierra o con la puestá a tierra en malas condiciones. Leer también la información sobre **RIESGO DE INCENDIO O EXPLOSIÓN**, más arriba.

2. *Mangueras para fluidos:* usar solamente mangueras con puestá a tierra de una longitud combinada de 150 m (500 pies), para asegurar buena continuidad a tierra. Referirse también al párrafo sobre **continuidad a tierra de la manguera**.
3. *Pistola:* hace la puestá a tierra conectándola a una manguera de fluido y pulverizadora bien conectadas a tierra.
4. *Suministrar un recipiente:* de acuerdo al código de la localidad.
5. *Objeto que se está rociando:* de conformidad con el código local.
6. *Todos los baldes de solvente* usados durante el lavado, de conformidad con el código local. Usar *solamente baldes de metal*, que sean conductivos. No colocar el balde en una superficie no conductiva, como papel o cartón, que interrumpe la continuidad a tierra.
7. *Para mantener la continuidad a tierra durante el lavado o descarga de presión*, siempre apoyar una parte metálica de la pistola bien firme contra el costado del *balde de metal*, después apretar el gatillo.

### Seguridad durante el lavado

Para reducir el riesgo de que se inyecte o salpique fluido en la piel, o que ocurra una descarga de electricidad estática, siempre seguir las INSTRUCCIONES PARA EL LAVADO, dadas en la página 13. Seguir el **procedimiento de descarga de presión** en la página 6, y quitar la *boquilla rociadora antes de lavar*. Apoyar una parte metálica de la pistola bien firme contra el costado de un *balde de metal* y usar la presión más baja posible de fluido durante el lavado.

## SETUP

### 1. Connect Hose and Gun. See Fig 8-1.

**NOTE:** When tightening fittings at the pressure control, hold one wrench firmly on the hex of the pressure control fitting to keep it from rotating. Use another wrench to tighten the mating fitting.

- a. Remove the cap from the outlet nipple and screw the 50 ft. (15.2 m) main fluid hose on to the nipple.
- b. Connect the 6 ft. (1.8 m) hose to the main fluid hose with the nipple provided. Connect the short hose to the gun inlet connection.
- c. Don't use thread sealant, and don't install the spray tip yet!

### WARNING

If you are supplying your own hoses and spray gun, be sure the hoses are electrically conductive, that the gun has a tip guard, and that each part is rated for at least *2750 psi (190 bar) Working Pressure*. This is to reduce the risk of serious bodily injury caused by static sparking, fluid injection or over-pressurization and rupture of the hose or gun.

### CAUTION

To avoid damaging the pressure control, which may result in poor equipment performance and component damage, follow these precautions:

1. Always use nylon spray hose at least 50 ft (15.2 m) long.
2. Never use a wire braid hose as it is too rigid to act as a pulsation dampener.
3. Never install any shutoff device between the pressure control and the main hose. See Fig 8-1.

### 3. Fill Packing Nut/Wet-Cup. See Fig 8-1.

Fill the packing nut/wet-cup 1/3 full with Graco Throat Seal Liquid (TSL), supplied.

### 4. Check the Electrical Service.

- a. Be sure the electrical service is 120 V, 60 HzAC, 15 Amp (minimum) and that the outlet you use is properly grounded.
- b. Do not remove the third prong of the power supply cord, which is the grounding prong, and do not use an adapter.
- c. Use an extension cord which has 3 wires of a minimum 12 gauge size, and a maximum of 200 ft. (61 m) long. Longer lengths may affect spray-performance.

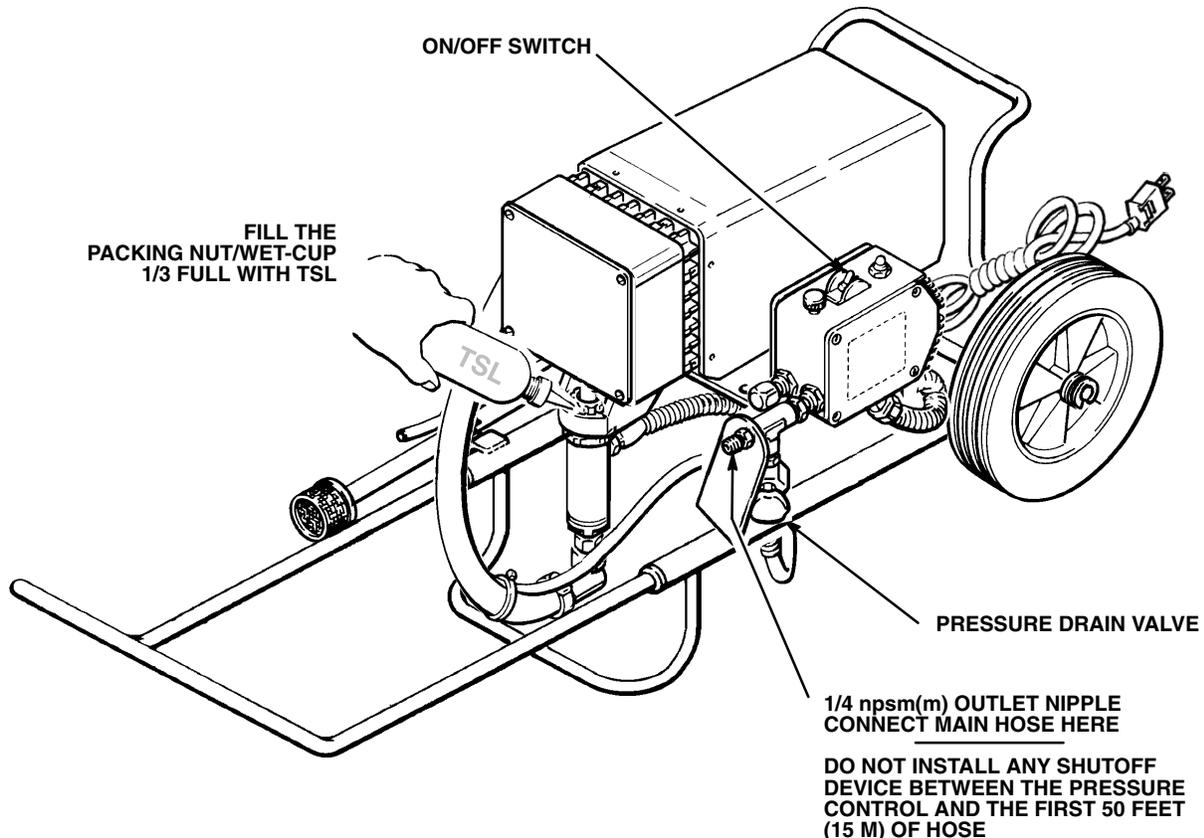


Fig 8-1



## SETUP

- 5. Plug in the Sprayer.** Be sure the ON/OFF switch is OFF. Then plug the cord into a grounded electrical outlet at least 20 ft. (6 m) away from the spray area.

### WARNING

Proper electrical grounding is essential to reduce the risk of fire or explosion which can result in serious bodily injury and property damage. Refer to the warning section **FIRE OR EXPLOSION HAZARD** on page 3 for more detailed grounding instructions.

- 6. Flush the pump** to remove the lightweight oil which was left in to protect pump parts after factory testing.
  - Before using water–base material, flush with mineral spirits followed by soapy water, and then a clean water flush.
  - Before using oil–base material, flush with mineral spirits only.
  - See **FLUSHING GUIDELINES** on page 13 for the flushing procedure.
- 7. Prepare the material** according to the manufacturer's recommendations.

## WARNING

### Pressure Relief Procedure

To reduce the risk of serious bodily injury, including fluid injection, splashing fluid or solvent in the eyes or on the skin, or injury from moving parts or electric shock, always follow this procedure whenever you shut off the sprayer, when checking or servicing any part of the spray system, when installing, cleaning or changing spray tips, and whenever you stop spraying.

1. Engage the gun safety latch.
2. Turn the ON/OFF switch to OFF.
3. Unplug the power supply cord.
4. Disengage the gun safety latch. Hold a metal part of the gun firmly to the side of a grounded metal pail, and trigger the gun to relieve pressure.
5. Engage the gun safety latch.
6. Open the pressure drain valve, having a container ready to catch the drainage. Leave the valve open until you are ready to spray again.

*If you suspect that the spray tip or hose is completely clogged, or that pressure has not been fully relieved after following the steps above, wrap a rag around the tip guard retaining nut or hose end coupling and VERY SLOWLY loosen the part to relieve pressure gradually, then loosen completely. Now clear the tip or hose.*

6. **To prime the pump**, hold a metal part of the gun firmly against and aimed into a metal waste container. See Fig 10-1. Squeeze the trigger and hold it open, turn the ON/OFF switch to ON, and slowly increase the pressure until the sprayer starts. Keep the gun triggered until all air is forced out of the system and the material flows freely from the gun. Release the trigger and engage the gun safety latch.

## CAUTION

If the pump runs without fluid in it for more than 30 seconds, the displacement pump packings will be damaged. If the pump does not prime easily, follow the **NOTE** below.

- NOTE:** If the pump is hard to prime, place a container under the pressure drain valve and open it. When fluid comes from the valve, close it. Then disengage the gun safety latch and proceed as in Step 6, above.

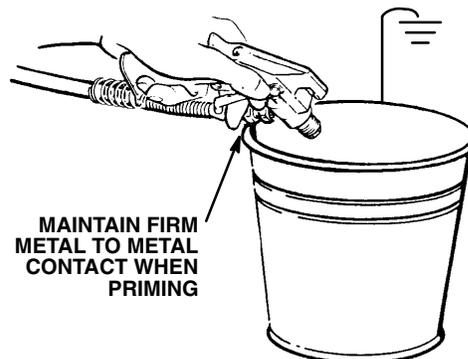


Fig 10-1

## Startup

Use this procedure each time you start the sprayer to help ensure the sprayer is ready to operate and that you start it safely.

**NOTE:** For the first time startup, be sure to flush the sprayer first. See page 13 for **FLUSHING GUIDELINES**.

1. **Close the pressure drain valve.**
2. **Don't install the spray tip yet!**
3. **Put the suction tube into the material container.**

**NOTE:** To adjust the pressure, use the pressure adjusting knob on the pressure control. Turn the knob counterclockwise to decrease pressure and clockwise to increase pressure.

4. **Lower the pressure setting** by turning the pressure adjusting knob all the way counterclockwise. See Fig 11-1.

5. **Disengage the gun safety latch.**

7. **Check all fluid connections for leaks.** If any leaks are found, follow the **Pressure Relief Procedure Warning**, to the left, before tightening the connections.

8. **Install the spray tip and tip guard.** Refer to the instructions supplied with your tip guard and/or spray gun. First be sure the fluid pressure is relieved and the gun safety latch is engaged.

9. **Adjust the spray pattern.**

- a. Increase the pressure just until spray from the gun is completely atomized. To avoid excessive overspray and fogging, and to decrease tip wear and extend the life of the sprayer, always use the lowest possible pressure needed to get the proper atomization of the material you are spraying.
- b. Follow your material manufacturer's spray pressure recommendations.
- b. If more coverage is needed, use a larger tip rather than increasing the pressure.
- c. Test the spray pattern. To adjust the direction of the spray pattern, engage the gun safety latch and loosen the retaining nut. Position the tip guard horizontally for a horizontal pattern or vertically for a vertical pattern. Then tighten the retaining nut.

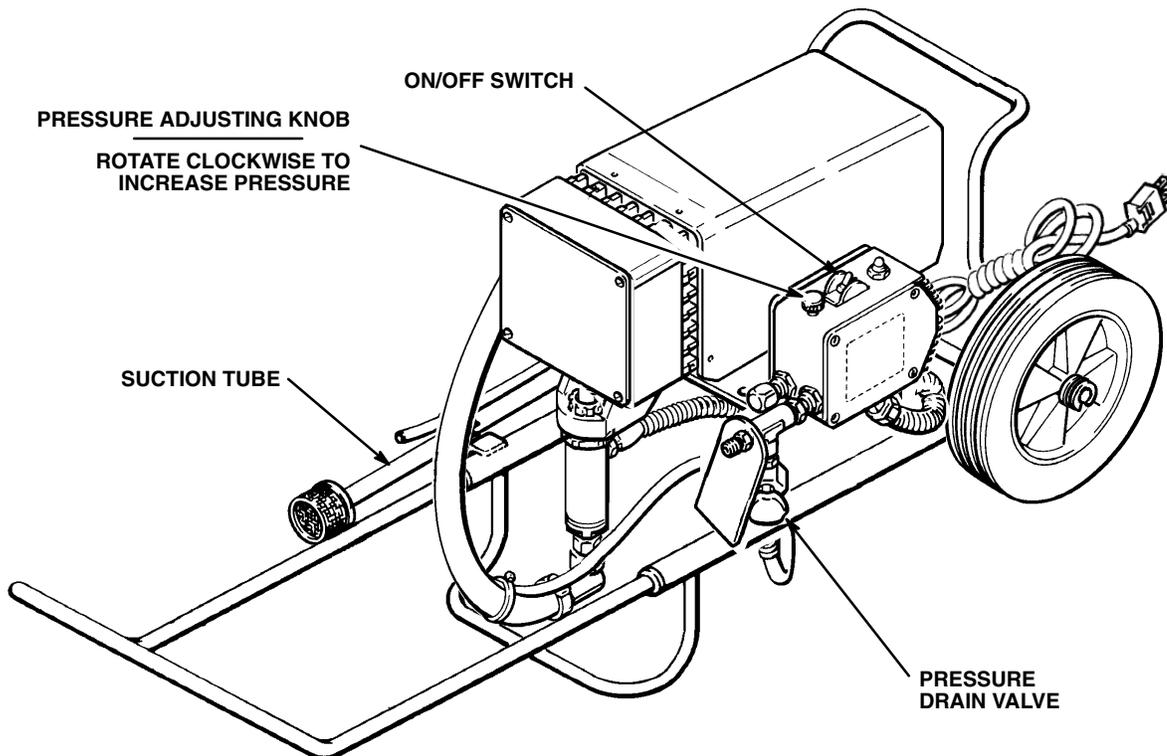


Fig 11-1

## Cleaning a Clogged Tip

### WARNING

To reduce the risk of serious bodily injury from fluid injection;

NEVER operate the spray gun with the tip guard removed.

DO NOT hold your hand, body, or a rag in front of the spray tip when cleaning or checking a clogged tip. Always point the gun toward the ground or into a waste container when checking to see if the tip is clear.

DO NOT try to “blow back” material; this is NOT an air spray system.

1. Clean the front of the tip frequently during the day's operation. First, follow the **Pressure Relief Procedure Warning** on page 10.
2. If the spray tip clogs, release the gun trigger and engage the gun safety latch.

***If your gun has a self-clearing tip, rotate the tip.*** Disengage the gun safety latch and trigger the gun into a waste container. Engage the gun safety latch again. Return the handle to the original position, disengage the gun safety latch, and resume spraying.

***If your gun does not have a self-clearing tip, or if the tip is still clogged***, engage the gun safety latch, shut off and unplug the sprayer, and open the pressure drain valve to relieve pressure. Clean the spray tip as instructed in your separate tip guard and/or spray gun instruction manual.

## SHUTDOWN AND CARE

### WARNING

To reduce the risk of serious bodily injury, including fluid injection or splashing in the eyes or on the skin, or injury from moving parts, always follow the **Pressure Relief Procedure Warning** on page 10 before checking, adjusting, cleaning and shutting down the sprayer.

1. **Check the packing nut/wet-cup daily** . Relieve pressure. See page 10. Be sure the wet-cup is 1/3 full of TSL at all times to help prevent material buildup on the piston rod and premature wear of packings.

The packing nut should be tight enough to stop leakage, but no tighter. Over tightening may cause binding and excessive packing wear. Use a round punch or brass rod and light hammer to adjust the nut. See Fig 12-1.

2. **Lubricate the bearing housing** after every 100 hours of operation. Remove the cover of the bearing housing. Fill the bearing housing cavity with SAE non-detergent oil. See Fig 12-1.
3. **Flush the sprayer at the end of each work day** and fill it with mineral spirits to help prevent pump corrosion and freezing. See **FLUSHING GUIDELINES** on page 13.

### CAUTION

To prevent pump corrosion, and to reduce the chance of fluid freezing in the pump or pressure control in cold weather, never leave water or any type of material in the sprayer when it is not in use. Freezing can seriously damage the sprayer or result in a loss of pressure or stalling.

4. **For very short shutoff periods**, leave the suction tube in the material, relieve pressure, and clean the spray tip.

5. **Coil the hose and hang it on the hose rack** when storing it, even for overnight, to help protect the hose from kinking, abrasion, coupling damage, etc.

### WARNING

Refer to the warning section, **HOSE SAFETY**, on page 3, for information on the hazard of using damaged hoses.

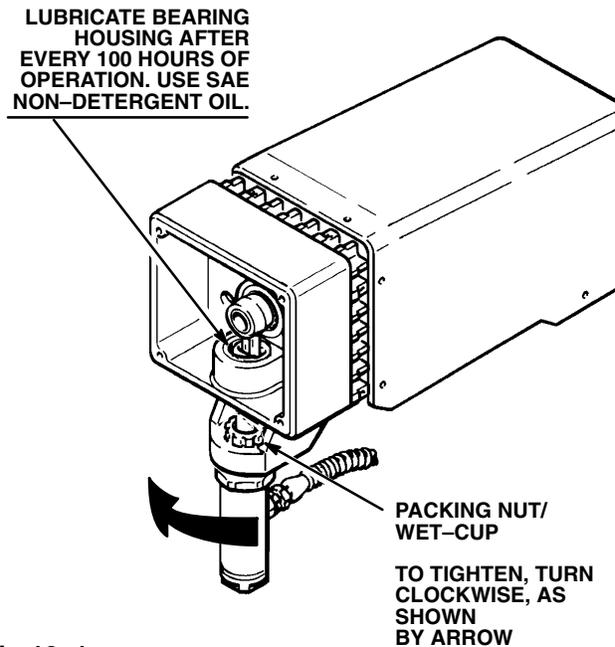


Fig 12-1

## FLUSHING GUIDELINES

### When to Flush

1. **New Sprayer.** Your new sprayer was factory tested in lightweight oil which was left in to protect pump parts.

*Before using water–base material, flush with mineral spirits followed by soapy water, and then a clean water flush.*

*Before using oil–base material, flush with mineral spirits.*

2. **Changing Colors.** Flush with a compatible solvent.
3. **Changing from water–base to oil–base material.** Flush with warm, soapy water, then mineral spirits.
4. **Changing from oil–base to water–base material.** Flush with mineral spirits, followed by warm, soapy water, then a clean water flush.

5. **Storage.**

*Water–base material:* flush with water, then mineral spirits. Relieve pressure.

*Oil–base material:* flush with mineral spirits. Relieve pressure.

### CAUTION

NEVER leave water in the sprayer if there is the slightest chance it could freeze. Push the water out with mineral spirits. Water left to freeze in the pressure control tube prevents the sprayer from being started and causes serious damage to the pressure control.

6. **Startup after storage.**

Before using water–base material, flush out the mineral spirits with soapy water and then a clean water flush. When using oil–base material, flush out the mineral spirits with the material to be sprayed.

### How To Flush

1. Follow the **Pressure Relief Procedure Warning** on page 10.
3. Close the pressure drain valve.
4. Put the suction tube in a grounded metal pail of compatible solvent.

5. Remove the spray tip from the gun, if it is installed.

### WARNING

To reduce the risk of static sparking and splashing, always remove the spray tip from the gun, and hold a metal part of the gun firmly to the side of and aimed into a grounded metal pail when flushing.

6. Lower the pressure setting by turning the pressure adjusting knob all the way counterclockwise.

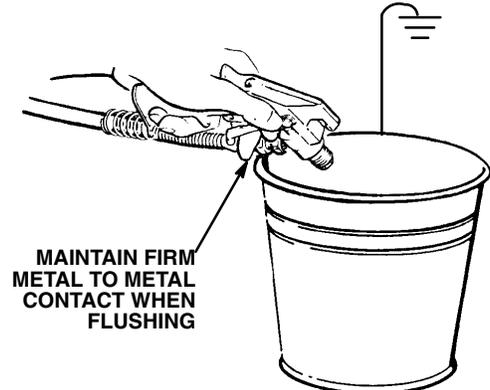


Fig 13–1

7. Hold a metal part of the gun firmly against and aimed into a metal waste container. *See Fig 13–1.* Squeeze the trigger and hold it open, turn the ON/OFF switch to ON, and slowly increase the pressure setting until the sprayer starts. Keep the gun triggered until all air is forced out of the system and the solvent flows freely from the gun. Release the trigger and engage the gun safety latch. This procedure helps reduce the risk of static sparking and splashing.

**NOTE:** If the pump is hard to prime, place a container under the pressure drain valve and open it. When fluid comes from the valve, close it.

8. Remove the suction tube from the pail. Disengage the gun safety latch and trigger the gun to force solvent from the hose. Do not let the pump run dry for more than 30 seconds to avoid damaging the pump packings! Relieve pressure.
9. Leave the pressure drain valve open until you are ready to use the sprayer again. Clean the fluid filter, if used.
10. If you flushed with mineral spirits and are going to use a water–base material, flush with soapy water followed by a clean water flush. Relieve pressure.

# TROUBLESHOOTING GUIDE

## WARNING

### Pressure Relief Procedure

To reduce the risk of serious bodily injury, including fluid injection, injury from splashing fluid or solvent in the eyes or on the skin, moving parts or electric shock, always follow this procedure whenever you shut off the sprayer, when checking or servicing any part of the spray system, when installing, cleaning or changing spray tips, and whenever you stop spraying.

1. Engage the gun safety latch.
2. Turn the ON/OFF switch to OFF.
3. Unplug the power supply cord.
4. Disengage the gun safety latch. Hold a metal part of the gun firmly to a grounded metal pail. Trigger the gun to relieve pressure.

5. Engage the gun safety latch.
6. Open the pressure drain valve, having a container ready to catch the drainage. Leave the pressure drain valve open until you are ready to spray again.

*If you suspect that the spray tip or hose is completely clogged, or that pressure has not been fully relieved after following the steps above, wrap a rag around the tip guard retaining nut or hose end coupling and VERY SLOWLY loosen the part to relieve pressure gradually, then loosen completely. Now clear the tip or hose obstruction.*

Check everything in the guide before disassembling the sprayer.

## PUMP WON'T OPERATE

TYPE OF PROBLEM	WHAT TO CHECK <i>If check is OK, go to next check</i>	WHAT TO DO <i>When check is not OK refer to this column</i>
Basic Fluid Pressure Problems	1. Check the pressure control knob setting. The motor will not run if it is at the minimum setting (fully counterclockwise).	1. Slowly increase the pressure setting to see if the motor starts.
	2. Check for a clogged spray tip. Refer to the separate gun or tip instruction manual.	2. Relieve pressure, refer to the separate gun or tip instruction manual for tip cleaning.
Basic Mechanical Problems	1. Check for frozen or hardened paint in the pump (39) and/or pressure control tube. Using a screwdriver, carefully try to rotate fan at back of motor by hand.	1. Thaw. Plug in sprayer and turn on. Slowly increase pressure setting to see if motor starts. If it doesn't, see NOTE 1, below.
	2. Check displacement pump connecting rod pin (45). It must be completely pushed into connecting rod (68) and retaining spring (44) must be firmly in groove of connecting rod. See page 32.	2. Push pin into place and secure with the spring retainer.
	3. Check for motor damage. Remove drive housing assembly (71). See page 28. Try to rotate fan by hand.	3. Replace motor (12) if fan won't turn. See page 30.
Basic Electrical Problems	1. Check sprayer circuit breaker (309) button to be sure it has not popped up.	1. Depress button to reset. If circuit breaker continues to open, see 'Electrical Short' on page 19.
	2. Check electrical supply with volt meter. Meter should read 105–125 VAC.	2. Reset building circuit breaker; replace building fuse. Try another outlet.
	3. Check extension cord for visible damage. Use a volt meter or test lamp at extension cord outlet to check.	3. Replace extension cord.
	4. Check sprayer power supply cord (31 1) for visible damage such as broken insulation or wires.	4. Replace power supply cord. See page 22.
	5. Check motor brush leads, terminals and brush length. Brush length should be 1/2" minimum. See page 21.	5. Tighten terminal screws; replace brushes. See page 21.

**NOTE 1:** Thaw the sprayer if water or water-based paint has frozen in it, due to exposure to low temperatures, by placing it in a warm area. Do not try to start the sprayer until it has thawed completely. If the bourdon tube was not damaged by the freezing, the pump should operate. If paint hardened (dried) in the sprayer, the pump packings and/or bare pressure control must be replaced. See page 32 (pump) or 25 (pressure control).

## PUMP WON'T OPERATE

TYPE OF PROBLEM	WHAT TO CHECK <i>If check is OK, go to next check</i>	WHAT TO DO <i>When check is not OK refer to this column</i>
<p><b>Diagnosing circuit board indicator lamps.</b> The normal condition is red lamp on, clear lamp on when board is telling pump to run.</p> <p>Follow <b>Pressure Relief Procedure Warning</b>. Remove gun from hose. Remove pressure control cover. Check for faulty condition of circuit board lamps.</p> <p><b>Condition A</b> Both lamps on; pump won't operate and motor is not running</p>	<ol style="list-style-type: none"> <li>1. Check leads from bridge (308) to motor to be sure they are securely fastened and properly mated.</li> <li>2. Check G1 and G2 connections between circuit board (70) and bridge (308) for damage or loose terminals. See the Wiring Diagram on page 16.</li> <li>3. Check for loose motor brush lead connections and terminals. See page 21.</li> <li>4. Check brush length which should be 1/2" minimum. See page 21.  <b>NOTE:</b> The brushes do not wear at the same rate on both sides of the motor. Check both brushes.</li> <li>5. Check for broken or misaligned motor brush springs. See page 21.</li> <li>6. Check motor brushes for binding in brush holders. See page 21.</li> <li>7. Check motor armature commutator for burn spots, gouges and extreme roughness. Remove motor cover and brush inspection plates to check. See page 21.</li> <li>8. Check motor armature for shorts using armature tester (growler) or perform spin test. See page 20.</li> <li>9. Check bridge (308) by substituting with a good bridge or performing bridge test. See page 20.  <b>CAUTION:</b> Do not perform this check until motor armature is determined to be good. A bad motor armature will immediately burn out a good bridge.</li> </ol>	<ol style="list-style-type: none"> <li>1. Replace loose terminals; crimp to leads. Be sure male terminal blades are straight and firmly connected to mating part.</li> <li>2. Clean circuit board male terminals. Replace loose or damaged terminals. Securely reconnect leads.</li> <li>3. Tighten terminal screws. Replace brushes if leads are damaged. See page 21.</li> <li>4. Replace brushes. See page 21.</li> <li>5. Replace spring if broken. Realign spring with brush. See page 21.</li> <li>6. Clean brush holders. Remove carbon with small cleaning brush. Align brush leads with slot in brush holder to assure free vertical brush movement.</li> <li>7. Remove motor and have motor shop resurface commutator if possible. See page 30.</li> <li>8. Replace motor. See page 30.</li> <li>9. Replace bridge. See page 23.</li> </ol>
<p><b>Condition B (continued)</b> Both lamps off</p> <p><i>REFER TO THE WIRING DIAGRAM ON PAGE 16 TO IDENTIFY TEST POINTS (TP).</i></p> <p><b>NOTE:</b> Connect the volt meter to the <u>terminal</u>, not the wire which you disconnect from the terminal.</p>	<ol style="list-style-type: none"> <li>1. Check circuit breaker (309) button to be sure it has not popped up.</li> <li>2. Check power supply cord (31 1). Disconnect TP6 female (neutral) and TP1 female and connect volt meter to these leads. Plug in sprayer. Meter should read 105 to 125 VAC. Unplug sprayer. Reconnect TP1.</li> <li>3. Check ON/OFF switch (303). Disconnect TP2 and connect volt meter to TP6 female and TP2 male. Plug in sprayer and turn <b>ON</b>. Meter should read 105 to 125 VAC. Turn off and unplug sprayer. Reconnect TP2.</li> <li>4. Check jumper wire (306). Disconnect TP3 and connect volt meter to TP6 female and TP3 female. Plug in sprayer and turn on. Meter should read 105 to 125 VAC. Turn off and unplug sprayer. Reconnect TP3.</li> <li>5. Check circuit breaker (309). Connect volt meter to TP6 female and TP4. Plug in sprayer and turn <b>ON</b>. Meter should read 105 to 125 VAC. Turn off and unplug sprayer.</li> </ol>	<ol style="list-style-type: none"> <li>1. Depress button to reset. If circuit breaker or fuse continues to open, see "Electrical Short", page 19.</li> <li>2. Replace power supply cord. See page 22.</li> <li>3. Replace ON/OFF switch. See page 22.</li> <li>4. Replace jumper wire.</li> <li>5. Replace circuit breaker. See page 23.</li> </ol>

# MOTOR WON'T OPERATE

TYPE OF PROBLEM	WHAT TO CHECK <i>If check is OK, go to next check</i>	WHAT TO DO <i>When check is not OK refer to this column</i>
<p><b>Condition B</b> (continued) Both lamps off</p> <p><i>REFER TO THE WIRING DIAGRAM BELOW TO IDENTIFY TEST POINTS (TP).</i></p>	<p>6. Check motor thermal cutout switch. Disconnect TP9. Connect volt meter to TP6 female and TP9 female. Plug in sprayer and turn on. Meter should read 105 to 125 V AC. Turn off and unplug sprayer. Reconnect TP9.</p>	<p>6. Allow motor to cool. Correct cause of overheating. If switch remains open after motor cools, disconnect TP9 and TP10, check continuity between TP9 female and TP10 with ohmmeter. If open, replace motor. Reconnect TP9 and TP10.</p>
	<p>7. Check microswitch (302). Reconnect TP6 connectors. Connect volt meter to TP15 male and TP4. Meter should read 50–125 VAC.</p>	<p>7. Clean microswitch male terminals. Replace loose or damaged terminals. Securely reconnect leads.</p>
	<p>8. Visually inspect microswitch (302) button. Adjustment stud should not depress button when fluid pressure is zero. Depress button with small screwdriver; audible click indicates microswitch is in normal position.</p>	<p>8. Microswitch is faulty. Return sprayer for repair.</p>
	<p>9. Check microswitch (302) continuity with ohm meter. <i>Be sure sprayer is unplugged!</i> Meter should read zero ohms.</p>	<p>9. Microswitch is faulty. Return sprayer for repair.</p>
	<p>10. Check all terminals for damage or loose fit.</p>	<p>10. Replace damaged terminals and reconnect securely.</p>
	<p>11. Check circuit board (70) by substituting with a good board. See page 24.</p>	<p>11. Replace circuit board. See page 24.</p>
<p><b>WIRING DIAGRAM</b></p> <p><b>NOTE:</b> These leads have interchangeable connections: TP9 and TP10 TP13 and TP14 TP15 and TP16</p>		
<p><b>Condition C</b> Red lamp on, Clear lamp off <i>Unplug sprayer!</i></p>	<p>1. Check circuit board (70) by removing from box <i>without</i> disconnecting wires; see page 24 for removal procedure.</p> <p><b>WARNING:</b> Removing circuit board while still wired overrides optical detector which may cause sprayer to over-pressurize, if microswitch does not function properly. Turn sprayer on <i>ONLY</i> long enough to check lamp condition, then shut off immediately.</p> <p><b>WARNING:</b> To reduce risk of electric shock, handle board by edges only! Do not allow any metal objects to come in contact with board!</p> <p>Plug in and turn on sprayer. Clear lamp should be on now. Turn off and unplug sprayer.</p>	<p>1. If clear lamp is not on, replace circuit board. See page 28.</p>
	<p>2. Check bourdon tube flag and detector position. Reinstall circuit board (see page 24). Turn pressure setting to maximum; flag should extend less than half way into optical detector slot from the bottom.</p>	<p>2. Perform pressure control adjustment to see if that corrects problem. See page 26.</p> <p>If not, replace bare pressure control box (301). See page 25.</p>



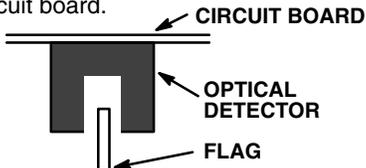
## LOW OUTPUT

TYPE OF PROBLEM	WHAT TO CHECK <i>If check is OK, go to next check</i>	WHAT TO DO <i>When check is not OK refer to this column</i>
Low Output	1. Check for worn spray tip.	1. Follow <b>Pressure Relief Procedure Warning</b> then replace tip. See your separate gun or tip manual.
	2. Check to see that pump does not continue to stroke when gun trigger is released. Plug in and turn on sprayer. Prime with paint. Trigger gun momentarily, then release and engage safety latch. Relieve pressure, turn off and unplug sprayer.	2. Service pump. See pages 32–33.
	3. Check electrical supply with volt meter. Meter should read 105–125 VAC.	3. Reset building circuit breaker; replace building fuse. Repair electrical outlet or try another outlet.
	4. Check extension cord size and length; must be at least 12 gauge wire and no longer than 200 ft.	4. Replace with a correct, grounded extension cord.
	5. Check G1 and G2 leads from bridge (308) to circuit board (70) for damaged or loose wires or connectors.	5. Clean circuit board male terminals. Replace loose or defective lead terminals. Securely reconnect lead terminals to board.
	6. Check stall pressure. Refer to Pressure Control Adjustment on page 26.	6. Perform pressure control adjustment. See page 26.
	7. Check bridge (308) + and – leads and terminals to motor. Inspect wiring insulation and terminals for signs of overheating. See page 23.	7. Be sure male terminal blades are centered and firmly connected to female terminals. Replace any loose terminal or damaged wiring. Securely reconnect wires to bridge.
	8. Check for loose motor brush leads and terminals. See page 21.	8. Tighten terminal screws. Replace brushes if leads are damaged. See page 21.
	9. Check for worn motor brushes which should be 1/2" minimum. See page 21.	9. Replace brushes. See page 21.
	10. Check for broken and misaligned motor brush springs. Rolled portion of spring must rest squarely on top of brush.	10. Replace spring if broken. Realign spring with brush. See page 21.
	11. Check motor brushes for binding in brush holders. See page 21.	11. Clean brush holders, remove carbon dust with small cleaning brush. Align brush lead with slot in brush holder to assure free vertical brush movement.
	12. Check circuit board (70) by substituting with a good circuit board. See page 24.	12. Replace circuit board. See page 24.
	13. Check motor armature for shorts by using an armature tester (growler) or perform spin test. See page 20.	13. Replace motor. See page 30.
	14. Check bridge (308) by substituting with a good bridge or by performing the bridge test. See page 23 or 20.  <b>CAUTION:</b> Do not perform this check until armature is determined to be good. A bad armature will immediately burn out a good bridge.	14. Replace bridge. See page 23.

## NO OUTPUT

TYPE OF PROBLEM	WHAT TO CHECK <i>If check is OK, go to next check</i>	WHAT TO DO <i>When check is not OK refer to this column</i>
Motor runs and pump strokes	1. Check paint supply.	1. Refill and reprime pump.
	2. Check for clogged intake strainer.	2. Remove and clean, then reinstall.
	3. Check for loose suction tube or fittings.	3. Tighten; use thread sealant or sealing tape on threads if necessary.
	4. Check to see if intake valve ball and piston ball are seating properly.	4. Remove intake valve and clean. Check balls and seats for nicks; replace if necessary. See page 32. Strain paint before using to remove particles that could clog the pump.
	5. Check for leaking around throat packing nut which may indicate worn or damaged packings. See page 32.	5. Replace packings. See pages 32–33. Also check piston valve seat for hardened paint or nicks and replace if necessary. Tighten the packing nut/wet-cup.
Motor runs but pump does not stroke	1. Check displacement pump connecting rod pin (45). See page 32.	1. Replace pin if missing. Be sure retaining spring (44) is fully in groove all around connecting rod. See page 32.
	2. Check connecting rod assembly (68) for damage. See page 28.	2. Replace connecting rod assembly . See page 28.
	3. Be sure crank in drive housing rotates; plug in sprayer and turn on briefly to check. Turn off and unplug sprayer. See page 28.	3. Check drive housing assembly for damage and replace if necessary. See page 28.

## EXCESSIVE PRESSURE FLUCTUATIONS

TYPE OF PROBLEM	WHAT TO CHECK <i>If check is OK, go to next check</i>	WHAT TO DO <i>When check is not OK refer to this column</i>
Spray pattern variations.	1. Be sure both G1 and G2 leads from bridge (308) to circuit board (70) are firmly connected. See page 23.	1. Reconnect securely.
	2. Check maximum working pressure adjustment. Refer to Pressure Control Adjustment on page 26.	2. Perform pressure control adjustment. See page 26.
	3. Check bourdon tube flag and detector position. Turn pressure setting to maximum; flag should not drag or bind in optical detector slot of circuit board. 	3. Carefully bend flag into alignment with detector slot to see if that corrects problem. If not, replace bare pressure control assembly (301). Perform pressure control adjustment after reassembly.
	4. Check circuit board (70) by substituting with a good board. See page 24.	4. Replace circuit board. See page 24.
	5. Check LOW OUTPUT section, page 17.	

## MOTOR IS HOT AND RUNS INTERMITTENTLY

TYPE OF PROBLEM	WHAT TO CHECK <i>If check is OK, go to next check</i>	WHAT TO DO <i>When check is not OK refer to this column</i>
	1. Determine if sprayer was operated at high pressure with small tips, which causes low motor RPM and excessive heat build up.	1. Decrease pressure setting or increase tip size.
	2. Be sure ambient temperature where sprayer is located is no more than 90 °F and sprayer is not located in direct sun.	2. Move sprayer to shaded, cooler area if possible.
	3. Determine if was sprayer turned on, pressurized, but not operating for long periods of time.	3 Turn off sprayer whenever you stop spraying for a while and relieve fluid pressure.
	4. Check if bourdon tube is bent or out of shape.	4. Replace pressure control.

## ELECTRICAL SHORT

TYPE OF PROBLEM	WHAT TO CHECK <i>If check is OK, go to next check</i>	WHAT TO DO <i>When check is not OK refer to this column</i>
<p>Building circuit breaker opens as soon as sprayer switch is turned on.</p> <p><b>CAUTION</b> Any short in any part of the motor power circuit, which is connected to the output side of the bridge, will cause the bridge to burn out immediately. Correctly diagnose and repair all shorts before checking and replacing bridge.</p>	1. Check all electrical wiring for damaged insulation, and all terminals for loose fit or damage. Also check wires between pressure control and motor which are encased in conduit (1). See page 25.	1. Repair or replace any damaged wiring or terminals. Securely reconnect all wires.
	2. Check for missing inspection plate gasket (see page 21), bent terminal forks or other metal to metal contact points which could cause a short.	2. Correct faulty conditions.
	3. Check motor armature for shorts. Use an armature tester (growler) or perform spin test. See page 20. Inspect windings for burns.	3. Replace motor. See page 30.
	4. Check bridge (308) by substituting with a good bridge or by performing bridge test. See page 23 or 20. <b>CAUTION:</b> Do not replace bridge until armature is determined to be good. A bad armature will immediately burn out a good bridge.	4. Replace bridge. See page 23.
<p>Building circuit breaker opens as soon as sprayer is plugged into outlet and sprayer is NOT turned on.</p>	1. Check 'Basic Electrical Problems' on page 14.	
	2. Check ON/OFF switch (302). <i>Be sure the sprayer is unplugged!</i> Disconnect wires from switch. Check switch with ohmmeter . The reading should be infinity with the ON/OFF switch OFF, and zero with the switch ON. <b>CAUTION:</b> A short in the motor circuit burns the bridge out immediately , which usually causes the ON/OFF switch to fail in the closed mode.	2. Replace ON/OFF switch. See page 22.
<p>Sprayer circuit breaker opens after sprayer operates for 5 to 10 minutes.</p>	1. Check electrical supply with volt meter. Meter should read 105 to 125 VAC.	1. If voltage is too high, do not operate sprayer until corrected.
	2. Check tightness of pump packing nut. Overtightening tightens packings on rod, restricts pump action, and damages packings.	2. Loosen packing nut. Check for leaking around throat. Replace pump packings, if necessary. See page 32.
	3. Check maximum working pressure adjustment.	3. Perform pressure control adjustment. See page 26.
	4. After determining that there is no short in system, reset circuit breaker button.	4. If circuit breaker continues to open (button pops up), replace the circuit breaker. See page 23.

## SPIN TEST

### WARNING

Before doing this procedure, follow the **Pressure Relief Procedure Warning** on page 2 to reduce the risk of a fluid injection injury, splashing in the eyes or on the skin, injury from moving parts, or electric shock. *Unplug the sprayer!*

### Setup

Remove the drive housing. See page 28.

Remove the pressure control cover. Remove the motor shield (64). Remove the fan cover (B) and the inspection covers (A). See Fig 20-1.

Disconnect the + and - leads from the motor to the bridge (308). See Fig 20-2.

### Armature Short Circuit Test

Quickly turn the motor fan by hand. If there are no shorts, the motor will coast two or three revolutions before coming to a complete stop. If the motor does not spin freely, the armature is shorted and the motor must be replaced. See page 30.

### Armature, Brushes, and Motor Wiring Open Circuit Test (Continuity)

Connect the two black motor leads together with a test lead. Turn the motor fan by hand at about two revolutions per second.

If there is uneven or no turning resistance, check for worn brushes or any loose or broken brush parts and repair as needed. See page 21.

If there is still uneven or no turning resistance, replace the motor. See page 30.

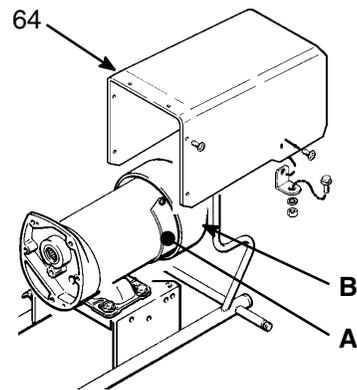


Fig 20-1

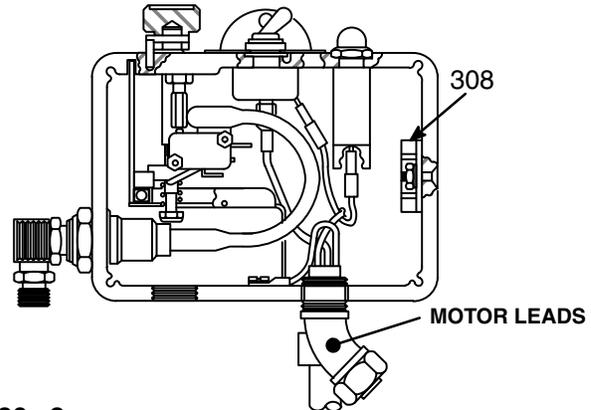


Fig 20-2

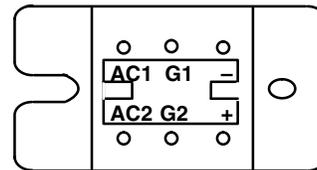


Fig 20-3

## BRIDGE TEST

Remove the bridge from the pressure control (see page 23) and perform this test to determine if the bridge is functional. Use a continuity tester, such as multi-meter set on the X1 ohms scale.

Perform all tests in the chart. If the bridge fails even one test, it must be replaced.

Fig 20-3 shows the wire positions on the bridge. Using the chart in Fig 20-4, connect the meter wires as indicated by the black dots for each test, and then check the continuity.

In Tests 1, 2 and 3, there should be NO continuity.

In Tests 4, 5 and 6, connect meter wires as indicated, check continuity, then switch the meter wire connections and check continuity again. You should get NO continuity one way and YES continuity the other way.

In Tests 7 and 8, connect the meter wires as indicated by the black dots. Touch the indicated "G" wire to one meter wire, and then to the other. You should get NO continuity one way and YES continuity the other way.

### BRIDGE WIRES

CONTINUITY?	G2	G1	-	+	AC1	AC2	
NO					•	•	TEST 1
NO				•		•	TEST 2
NO				•	•		TEST 3
YES			•	•			TEST 4
NO			•	•			TEST 5
YES			•	•			TEST 6
NO		•		•			TEST 7
NO	•			•			TEST 8

Fig 20-4

## MOTOR BRUSH REPLACEMENT

**NOTE:** Replace the brushes when they have worn to less than 1/2 in. See Fig 21-3. Note that the brushes wear differently on each side of the motor, so check them both. Brush Repair Kit 220-853 and Spring Clip 110-816 are available.

### WARNING

Before doing this procedure, follow the **Pressure Relief Procedure Warning** on page 2 to reduce the risk of a fluid injection injury, splashing in the eyes or on the skin, injury from moving parts, or electric shock. *Unplug the sprayer!*

1. Remove the motor shield (64). Remove the inspection covers (A) and gaskets on each side of the motor. See Fig 21-1.

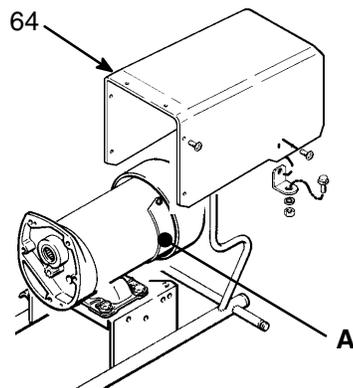


Fig 21-1

2. Push in the spring clip to release its hooks from the brush holder. Pull out the spring clip. See Fig 21-2.
3. Loosen the brush lead terminal screw. Pull the brush lead away, leaving the motor lead terminal in place. Remove the brush and spring. See Fig 21-3.
4. Inspect the commutator for excessive pitting, burning or gouging. A black color on the commutator is normal. Have the commutator resurfaced by a qualified motor repair shop if the brushes seem to wear too fast.

### CAUTION

When installing the brushes, follow all steps carefully to avoid damaging the parts.

5. Install a new brush so the lead is in the long slot of the holder. See Fig 21-4. Slide the terminal under the terminal screw washer and tighten the screw. Be sure the motor lead is still connected at the screw. See Fig 21-4.
6. Place the spring on the brush as shown in Fig 21-4.
7. Install the spring clip and push it down to hook it in the housing. See Fig 21-2 and 21-4.
8. Repeat for the other side.

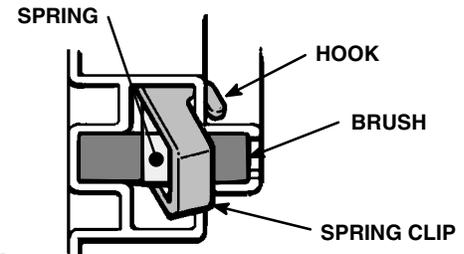


Fig 21-2

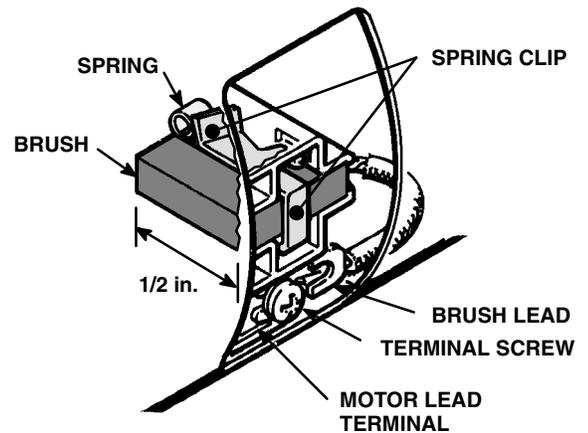


Fig 21-3

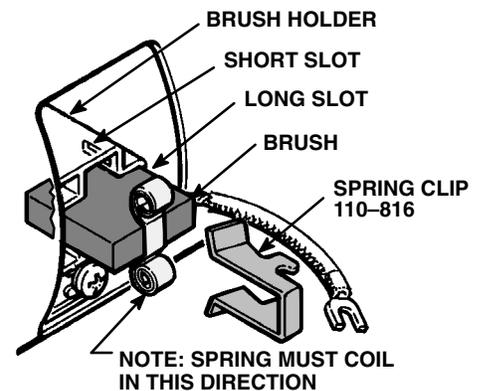


Fig 21-4

### WARNING

To reduce the risk of electric shock and serious injury, do not touch the brushes, leads, springs or brush holders while the sprayer is plugged.

### CAUTION

Do not run the sprayer dry for more than 30 seconds while checking the brushes to avoid damaging the displacement pump packings.

9. **Test the brushes.** With the sprayer OFF, turn the pressure control knob to minimum pressure. Plug in the sprayer. Turn the sprayer ON. Slowly increase the pressure until the motor comes up to full speed. Inspect the brush and commutator contact area for excessive arcing. Arcs should not "trail" or circle around the commutator surface.
10. Install the remaining parts.

## POWER SUPPLY CORD REPLACEMENT

### WARNING

Before doing this procedure, follow the **Pressure Relief Procedure Warning** on page 2 to reduce the risk of a fluid injection injury, splashing in the eyes or on the skin, injury from moving parts, or electric shock. *Unplug the sprayer!*

See Fig 22-1.

1. Remove the pressure control cover.
2. Disconnect the power supply cord lead from the ON/OFF switch (303), the white wire going to the bridge (308), and the green wire to the grounding screw (343) and lockwasher (327).
3. Loosen the strain relief bushing (328). Remove the power supply cord (311).
4. Install the new cord (311) in the reverse order of disassembly.
5. Reinstall the cover.

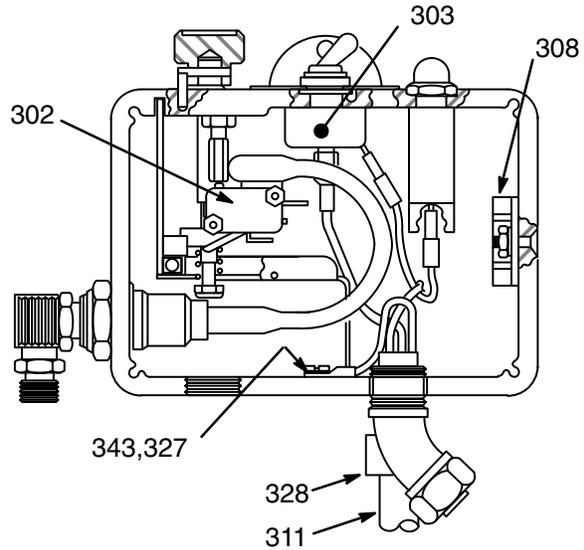


Fig 22-1

## ON/OFF SWITCH REPLACEMENT

### WARNING

Before doing this procedure, follow the **Pressure Relief Procedure Warning** on page 2 to reduce the risk of a fluid injection injury, splashing in the eyes or on the skin, injury from moving parts, or electric shock. *Unplug the sprayer!*

See Fig 22-2 except where noted.

1. Remove the pressure control cover.
2. Use a needle nose pliers to disconnect the upper terminal wire from the microswitch (302) for ease in removing the ON/OFF switch (303). See Fig 22-1.
3. Use pliers to disconnect the two black wires from the ON/OFF switch (303). See Fig 22-1.
4. Use a 5/8 in. socket wrench to loosen and remove the nut and rubber boot (304) from the top of the pressure control box. Remove the switch guard (305).
5. Remove the ON/OFF switch.
6. Install the new switch so the internal tab of the anti-rotation ring (A) engages with the vertical groove in the threads of the switch, and the external tab engages with the blind hole (B) of the pressure control box.

7. Install the switch guard (305), aligning the internal tab with the groove in the threads.
8. Powder the inside of the rubber boot (304) with talcum, then shake excess out of boot.
9. Install the nut and rubber boot and tighten.
10. Reconnect the wires to the ON/OFF switch (303) and reconnect the wire to the microswitch (302).
11. Reinstall the pressure control cover.

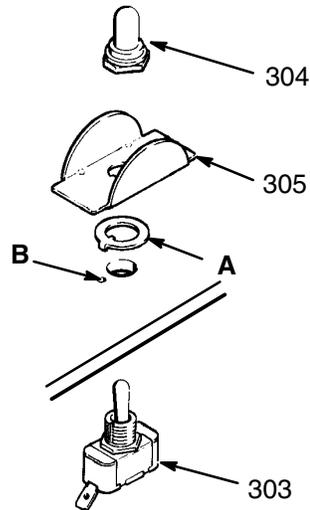


Fig 22-2

## BRIDGE RECTIFIER REPLACEMENT

### WARNING

Before doing this procedure, follow the **Pressure Relief Procedure Warning** on page 2 to reduce the risk of a fluid injection injury, splashing in the eyes or on the skin, injury from moving parts, or electric shock. *Unplug the sprayer!*

**NOTE:** *The most common cause of bridge failure is a faulty motor.* Check the motor before replacing the bridge to prevent damaging the new bridge.

1. Remove the pressure control cover.
2. Disconnect all wires from the bridge (308) at the appropriate terminals, using needle nose pliers.
3. Outside the pressure control box are two screws (331). *Loosen*, but don't remove the screw nearest the motor. Then loosen and remove the front screw. Slide the bridge out.
4. Slide the slotted end of the new bridge (308) into the box so the lockwasher (333) on the rear screw (331) is IN FRONT of the bridge. See the DETAIL below.

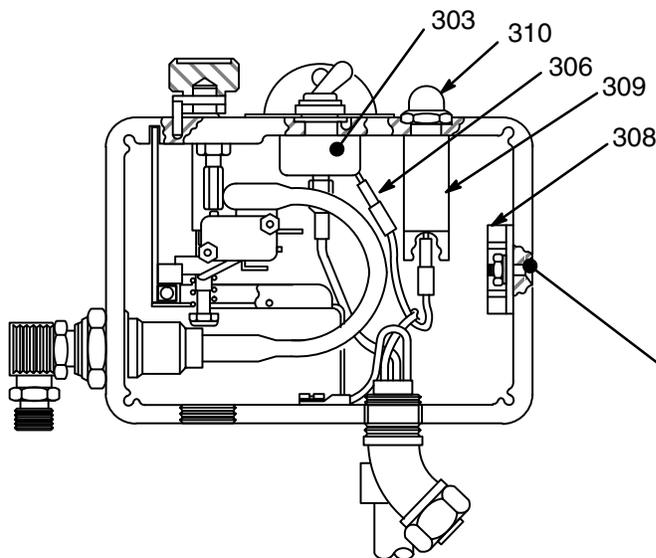


Fig 23-1

5. Install the front screw (331), lockwasher (333) and nut (332). Make sure the bridge is flush with the side of the box and tighten the screws securely.

### CAUTION

The lockwashers (333) must be in front of the bridge to avoid overheating which will result in bridge failure. See the DETAIL in Fig 23-1.

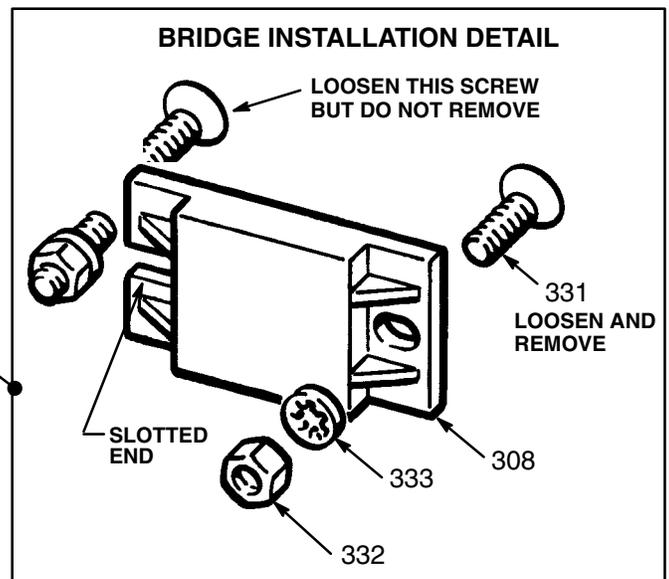
6. Connect all wires. Carefully route the wires.

### CAUTION

Be sure the flat blade of the insulated male connector is centered in the wrap-around blade of the female connector when the connections are made. Improper connections may cause the sprayer to malfunction.

Route all wires carefully to avoid interference with the movement of the bourdon tube, circuit board, or control box cover which could cause a malfunction.

7. Reinstall the pressure control cover.



## CIRCUIT BREAKER REPLACEMENT

### WARNING

Before doing this procedure, follow the **Pressure Relief Procedure Warning** on page 2 to reduce the risk of a fluid injection injury, splashing in the eyes or on the skin, injury from moving parts, or electric shock. *Unplug the sprayer!*

See Fig 23-1.

1. Remove the pressure control cover.
2. Use a small screwdriver to slide the terminal adapter off the circuit breaker terminal.
3. Disconnect the single black wire (306) from the circuit breaker (309) to the ON/OFF switch (303).

4. Use a 5/8 in. socket wrench to loosen the nut and boot (310) on the circuit breaker button.
5. Push down on the top of the circuit breaker and pull it out of the box.
6. Install the new circuit breaker in the reverse order.
7. Reinstall the pressure control cover.

### CAUTION

Do not allow the circuit breaker contacts to touch the bourdon tube, which will cause a short. Tighten the circuit breaker nut firmly to prevent the circuit breaker from turning.

## CIRCUIT BOARD REPLACEMENT

### WARNING

Before doing this procedure, follow the **Pressure Relief Procedure Warning** on page 2 to reduce the risk of a fluid injection injury, splashing in the eyes or on the skin, injury from moving parts, or electric shock. *Unplug the sprayer!*

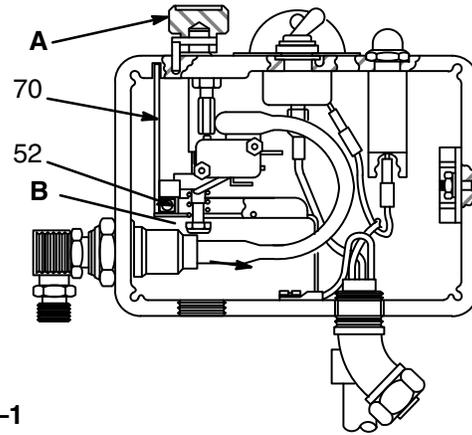
See Fig 24-1 and 24-2 for this procedure.

1. Remove the pressure control cover.
2. Turn the pressure control knob (A) to the minimum setting to release spring tension on the board. Check to be sure only three or four threads of the pressure control knob shaft are exposed below the pressure adjustment nut (B). Loosen the nut, if necessary. See Fig 24-1.

### CAUTION

Step 2 is essential to reduce the risk of damaging the circuit board while removing or installing it.

3. Disconnect ALL wires from the board, including the two heavy black wires. Pay close attention to where connections are made. See Fig 24-2.
4. Pull out the black plastic-tipped pin (52). Push the bottom of the circuit board toward the wall of the control and carefully slide the board out.
5. Reinstall the new board in the box at the same angle as it was removed.
6. Reconnect all wires. See the wiring diagram in Fig 24-2. Ease the pin (52) into the retainer.



**Fig 24-1**

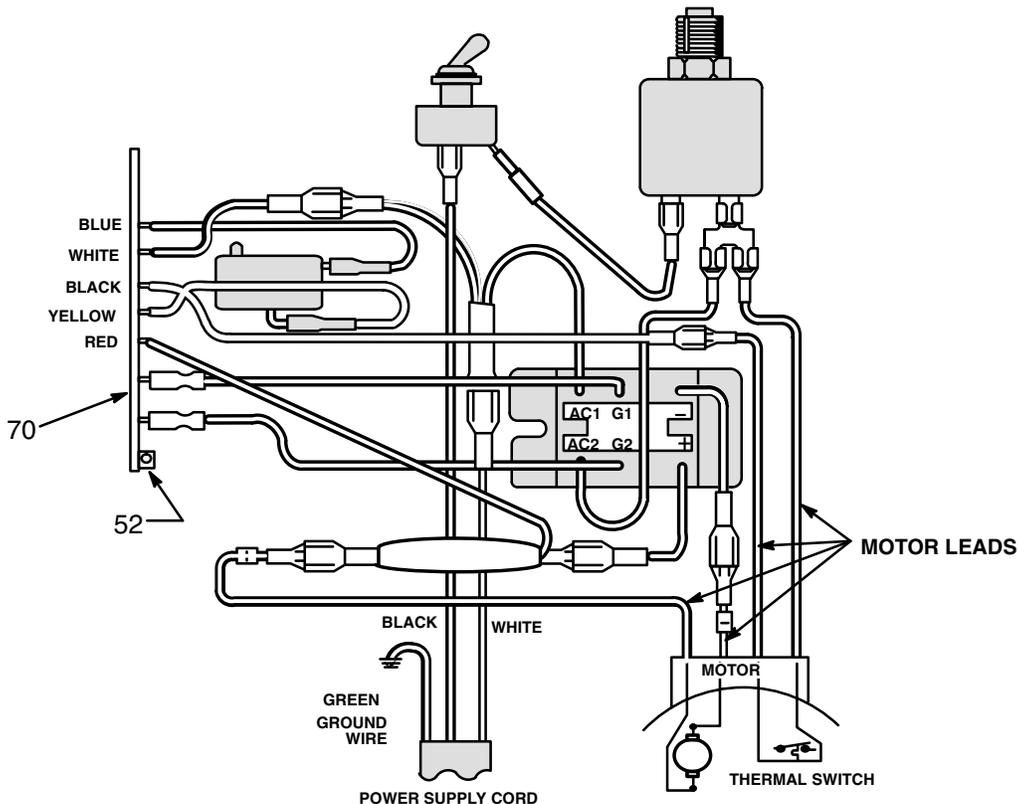
### CAUTION

Be sure the flat blade of the insulated male connector is centered in the wrap-around blade of the female connector when the connections are made.

Route all wires carefully to avoid interference with the circuit board, bourdon tube, or pressure control cover.

These precautions are essential to reduce the risk of a malfunction.

7. Perform the **PRESSURE CONTROL ADJUSTMENT**, page 26, if you installed a new board.



**Fig 24-2**



## PRESSURE CONTROL REPLACEMENT

### WARNING

Before doing this procedure, follow the **Pressure Relief Procedure Warning** on page 2 to reduce the risk of a fluid injection injury, splashing in the eyes or on the skin, injury from moving parts, or electric shock. *Unplug the sprayer!*

See Fig 25-1 except where noted.

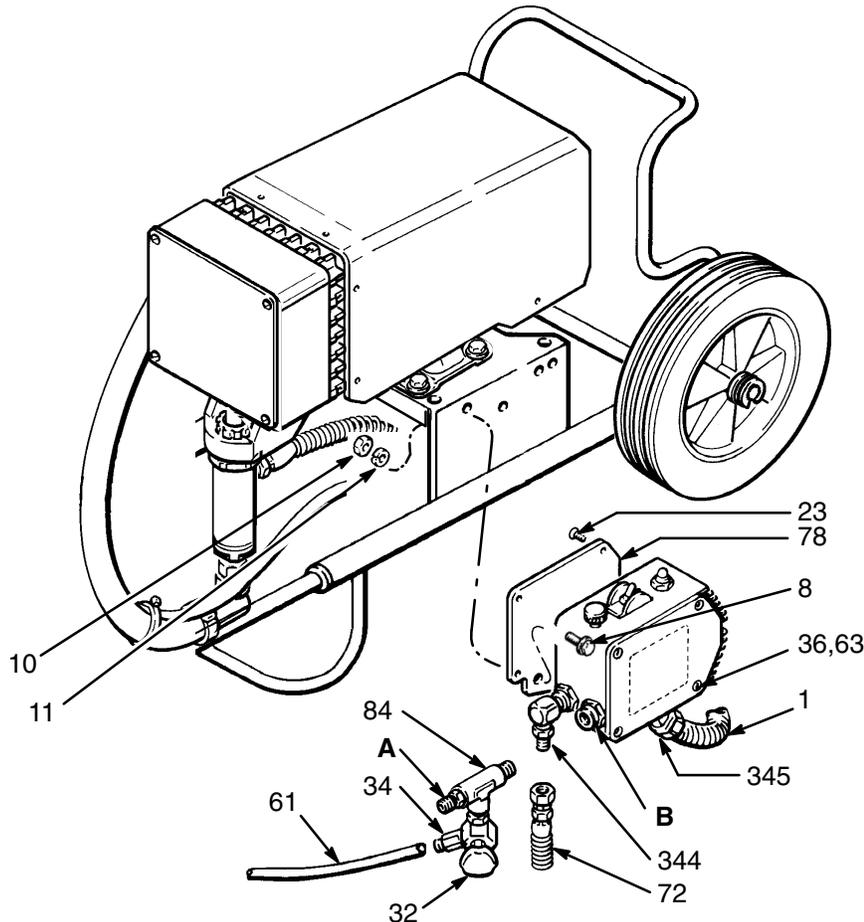
**NOTE:** If you are using the replacement pressure control, part no. 220-455, remove and discard the pressure control adapter (341). Hold the nut (B) firmly when removing the adapter.

1. Disconnect the main fluid hose from the pressure control outlet (A). Disconnect the fluid hose (72) at the pressure control nipple (344). Remove the drain hose (61) by pushing back on the sleeve of the drain valve connector (34).
2. Hold the hex of the pressure control nut (B) firmly with a wrench. Remove the drain valve (32) and then the tee (84).
3. Remove the pressure control cover (63). Disconnect the four motor leads. See Fig 24-2.

4. Loosen the conduit connector (345). Pull the motor leads in the conduit (1) out of the pressure control.
5. Remove the circuit board and retain it. See page 24.
6. Remove the three screws (8) and nuts (10) located below the pressure control. Remove the pressure control.
7. Remove the screws (23) holding the back mounting bracket (78) to the pressure control.
8. Install the new pressure control assembly in the reverse order of disassembly. Reinstall the conduit seal (28) around the wires in the conduit connector (345) to prevent motor contamination from entering the control. See the DETAIL below.
9. Perform the **PRESSURE CONTROL ADJUSTMENT**, page 26, before regular operation of the sprayer.

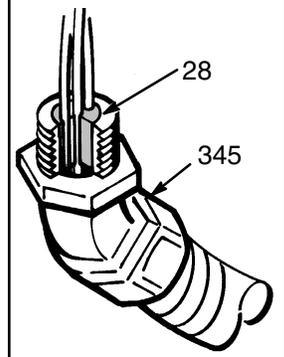
### CAUTION

Do not allow the pressure control nut (B) to turn while installing the new pressure control assembly. Turning it can damage the sensitive bourdon tube. Hold the nut firmly with a 1" open end wrench while screwing in the tee (84).



### DETAIL

Shows position of conduit seal (28) in conduit connector (345)



### CAUTION

Do not allow the pressure control nut (B) to turn at any time.

Fig 25-1

## PRESSURE CONTROL ADJUSTMENT

### WARNING

**USE EXTREME CAUTION WHEN PERFORMING THIS ADJUSTMENT PROCEDURE** to reduce the risk of a fluid injection injury or other serious bodily injury which can result from component rupture, electric shock, fire, explosion, or moving parts.

This procedure sets the sprayer to 2750 psi (190 bar) **MAXIMUM WORKING PRESSURE** and sets the overpressurization switch (microswitch) to approximately 3600 psi (248 bar).

Perform this procedure whenever the pressure control assembly is removed and reinstalled or replaced, or a new circuit board is installed.

Improper adjustment can cause the sprayer to overpressurize and result in component rupture, fire or explosion. It may also prevent the sprayer from obtaining the maximum working pressure, resulting in poor sprayer performance.

**NEVER** try to increase the sprayer's maximum working pressure of 2750 psi (190 bar) by performing these adjustments in any other way. Normal operation of the sprayer at higher pressures may result in component rupture, fire or explosion. To perform this adjustment, however, the sprayer pressure must be *temporarily* increased above the normal working pressure.

Use a *new* 52 ft (15.2 m) spray hose rated for at least 3000 psi (207 bar) **MAXIMUM WORKING PRESSURE**. A used, under-rated hose could develop a high pressure leak or rupture.

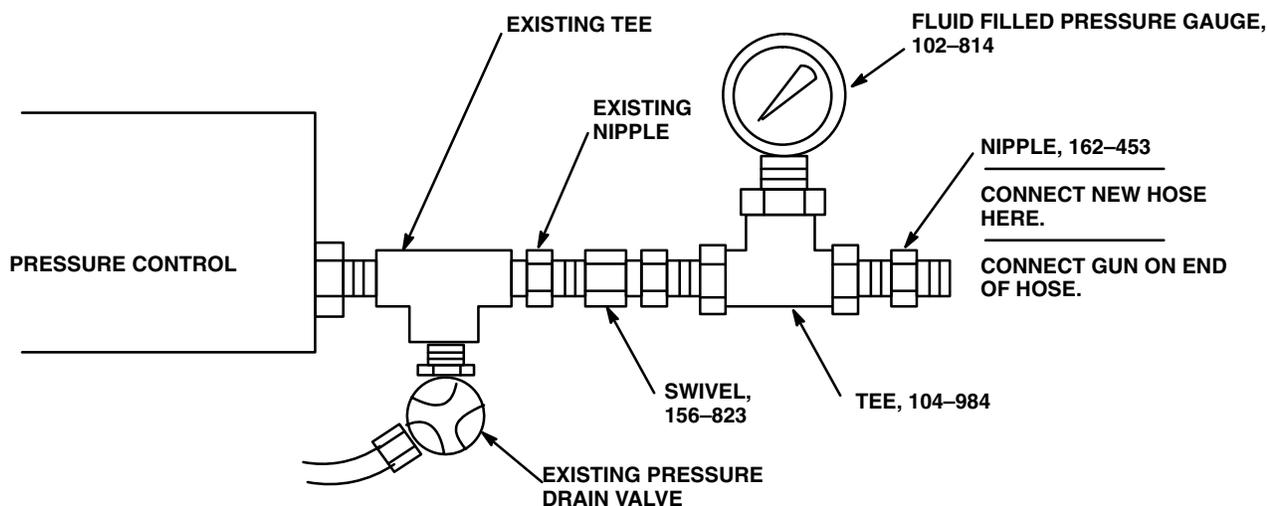


Fig 26-1

#### Service Tools Required:

- 3/8 in. nut driver or 3/8 in. socket wrench
- 1/4 in. open end wrench
- 7/16 in. open end wrench
- 0 – 5000 psi, oil-filled test gauge, Part No. 102-814
- Tee, 1/4 npt(m), p/n 104-984
- Nipple, 1/4 npt x 1/4 npsm, p/n 162-453
- Swivel, 1/4 npt(m) x 1/4 npsm swivel, p/n 156-823
- Pail of clean water
- Mineral spirits
- NEW spray hose, 1/4 in. ID x 52 ft., p/n 210-541

1. Follow the **Pressure Relief Procedure Warning** on page 2.
2. See the above list of tools and equipment needed. Install the new parts shown in Fig 26-1. Connect the gun to the **new** test hose

3. Remove the pressure control cover.
4. Place the pump suction tube in a pail of clean water.
5. Be sure the gun safety latch is engaged.
6. Plug in the sprayer.

**NOTE:** For Steps 7 through 18, refer to Fig 27-1.

7. Turn the pressure control knob (A) to the *minimum* setting (fully counterclockwise), and turn the sprayer **ON**. **THE DISPLACEMENT PUMP SHOULD NOT CYCLE**

**If it does cycle**, remove the plug (16) from the bottom of the pressure control. Insert a 3/8 in. nut driver through the opening, and unscrew the pressure adjustment nut (B) just until the sprayer stops running.

## PRESSURE CONTROL ADJUSTMENT

### Adjust the Overpressurization Switch

8. With the spray gun triggered, **slowly** turn the pressure control knob clockwise just until the sprayer starts. Prime the pump and hose.
9. Slowly turn the pressure control knob to the maximum setting. While watching the red light on the circuit board and the pressure gauge, turn the nut (B) **slowly** to increase pressure until the red light goes out **and** the gauge reads between 3400 – 3800 psi (234 – 262 bar).

**If the red light does not go out by 3800 psi (262 bar)**, loosen the nut (C) and adjust the stud (D) until the light goes out.

**If the red light goes out before 3400 psi (234 bar)**, tighten the nut (C) and adjust the stud (D) until the light goes out between 3400 – 3800 psi (234– 262 bar).

10. Tighten the nut (C) if it was loosened in Step 9.
11. Trigger the gun to relieve pressure. Release the trigger and engage the safety latch. Repeat Step 9 to verify your results.
12. Install the pressure control cover.

### Maximum Working Pressure Adjustment

13. Turn the sprayer OFF . Disengage the gun safety latch. Trigger the gun into a grounded waste container until pressure is relieved. Engage the gun safety latch.

14. Use the 3/8 in. nut driver to turn the pressure adjustment nut (B) counterclockwise one full turn.
15. With the pressure control knob at the *minimum* setting, turn the sprayer ON.
16. **Slowly** turn the pressure control knob (B) clockwise to the maximum setting and hold it there. Use a 3/8 in. nut driver or socket wrench to slowly turn the pressure adjustment nut (B) clockwise until the gauge reads EXACTLY 2750 psi (190 bar).
17. Turn the pressure control knob to the minimum setting. Release the gun safety latch and trigger the gun into a grounded waste container until pressure is relieved. Engage the gun safety latch. Slowly increase the pressure to verify that the maximum working pressure is set at 2750 psi (190 bar).

### CAUTION

To prevent pump corrosion, flush the water out of the pump, hose and gun with mineral spirits. Be sure to close the drain valve, first. Use the lowest pressure necessary to flush. Follow the **Pressure Relief Procedure Warning** on page 2. Leave the mineral spirits in the pump to protect it until you are ready to spray again.

18. Install the plug (16) in the bottom of the pressure control. Remove the gauge assembly. Flush out the water with mineral spirits.

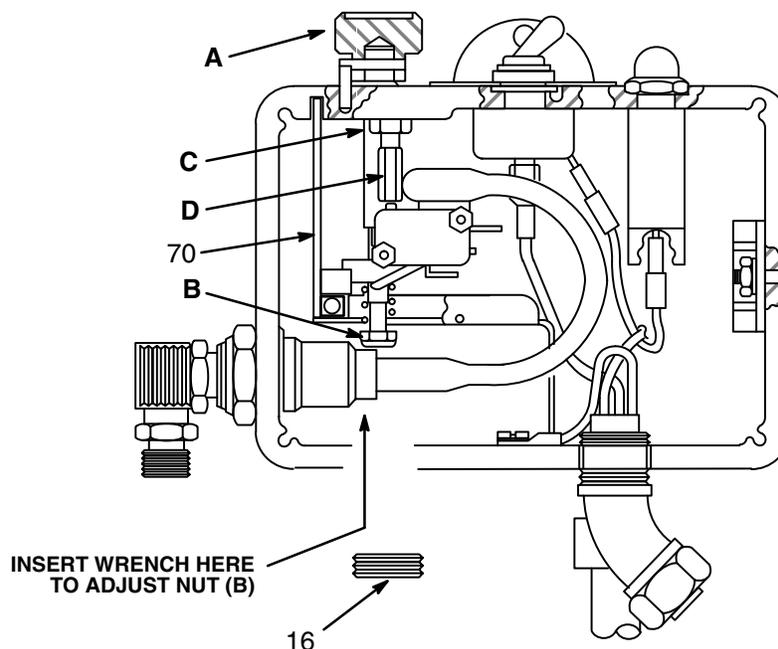


Fig 27-1

## DRIVE HOUSING, CONNECTING ROD & CRANKSHAFT REPLACEMENT

### WARNING

Before doing this procedure, follow the **Pressure Relief Procedure Warning** on page 2 to reduce the risk of a fluid injection injury, splashing in the eyes or in the skin, injury from moving parts or electric shock. *Be sure to unplug the sprayer!*

Refer to Fig 29-1 for Steps 1 to 18 unless otherwise noted.

**NOTE:** Stop the sprayer at the bottom of its stroke to get the crank (67) in its lowest position. If the crank must be lowered manually, carefully rotate the blades of the fan with a screwdriver.

1. Remove the front cover (59).
2. Unscrew the swivel union (76) from the pump, holding a wrench on the pump intake valve to keep the pump from loosening.
3. Disconnect the pump outlet hose (72) from the displacement pump outlet nipple (40).
4. Use a screwdriver to push up the retaining spring (44). Push the pin (45) out. See Fig 28-1.

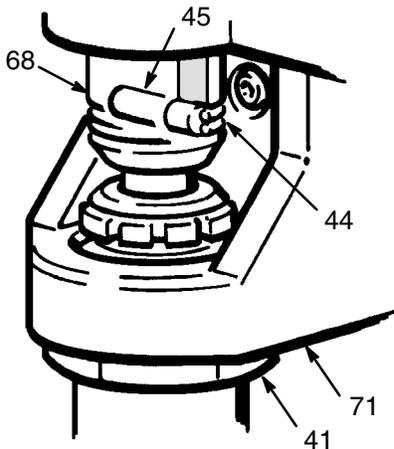


Fig 28-1

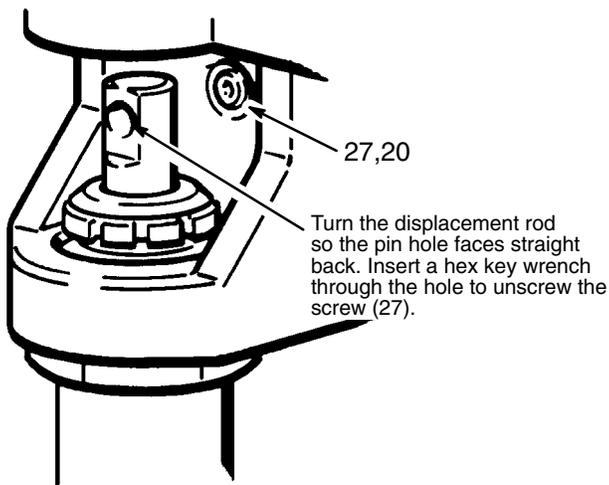


Fig 28-2

5. Loosen the jam nut (41) with an adjustable wrench. Unscrew and remove the displacement pump.
6. Turn the displacement rod so the pin hole faces straight back. Insert a hex key wrench through the hole to remove the screw (27). See Fig 28-2. Remove the other two screws (27) and lockwashers (20) from the front of the drive housing (71). See Fig 29-1.
7. Remove the motor shield (64).
8. Remove the two screws (15) and lockwashers (20) holding the motor to the drive housing.
9. Lightly tap the lower rear of the drive housing (71) with a plastic mallet to loosen it from the front of the motor. Then pull the drive housing straight off.

### CAUTION

Do not allow the gear (69) to fall. It may stay attached to the drive housing or to the motor.

Do not lose the thrust balls (9) located at each end of the gear (69). The balls, which are heavily covered with grease, usually stay in the shaft recesses, but could be dislodged. If caught between the gears and not removed, the balls will seriously damage the drive housing. If the balls are not in place, the bearings will wear prematurely.

10. Inspect the drive housing (71) for excessive wear and replace parts as needed.
11. Pull the crankshaft (67) out. Inspect it for wear or damage and replace it, if necessary. Place the bronze-colored washer (67a) and then the silver-colored washer (67b) on the crankshaft, when reinstalling it.
12. Remove the connecting rod (68). Inspect it for wear or damage. Replace the rod, if necessary.
13. Evenly lubricate the inside of the bronze bearing in the drive housing with high quality motor oil. Liberally pack the roller bearing and gears with bearing grease.
14. Carefully align the drive housing and front of the motor with the locating pins. Push the drive housing onto the motor, or tap it into place with a plastic mallet. Install the screws and lockwashers (15,20).

### CAUTION

**DO NOT** use the drive housing screws (27) to try to align or seat the housing to the motor; doing so will not ensure proper alignment, but will cause premature bearing wear.

15. Reinstall the motor shield (64).
16. Install the screws (27) and lockwashers (20) on the bearing housing and tighten evenly. Follow Step 6, above, for installing the screw located behind the displacement rod.

## DRIVE HOUSING, CONNECTING ROD & CRANKSHAFT REPLACEMENT

17. Screw the displacement pump about 3/4 of the way into the drive housing (71). Hold the pin (45) up to the pin hole in the connecting rod assembly (68) and continue screwing in the pump until the pin slides easily into the hole. Back off the pump until the top threads of the pump cylinder are flush with the face of the drive housing and the outlet nipple (40) is facing back. Push the retaining spring (44) into the groove all the way around the connecting rod. Tighten the locknut (41) very tight – about 70 ft-lb (95 N.m) – with a 2 in. open end wrench and a light hammer. See Fig 29-1 and 29-2.

### WARNING

Be sure the retaining spring (44) is firmly in the groove all the way around, to prevent the pin (45) from working loose due to vibration. See Fig 29-2.

If the pin works loose, it or other parts could break off due to the force of the pump action. These parts could be projected through the air and result in serious bodily injury or property damage, including damage to the pump connecting rod or bearing housing.

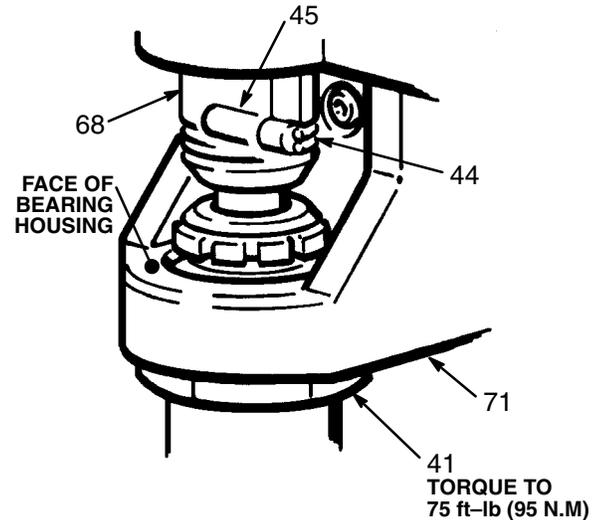


Fig 29-2

18. Reinstall the front cover (59). Reconnect the suction assembly and pump outlet hose (72).

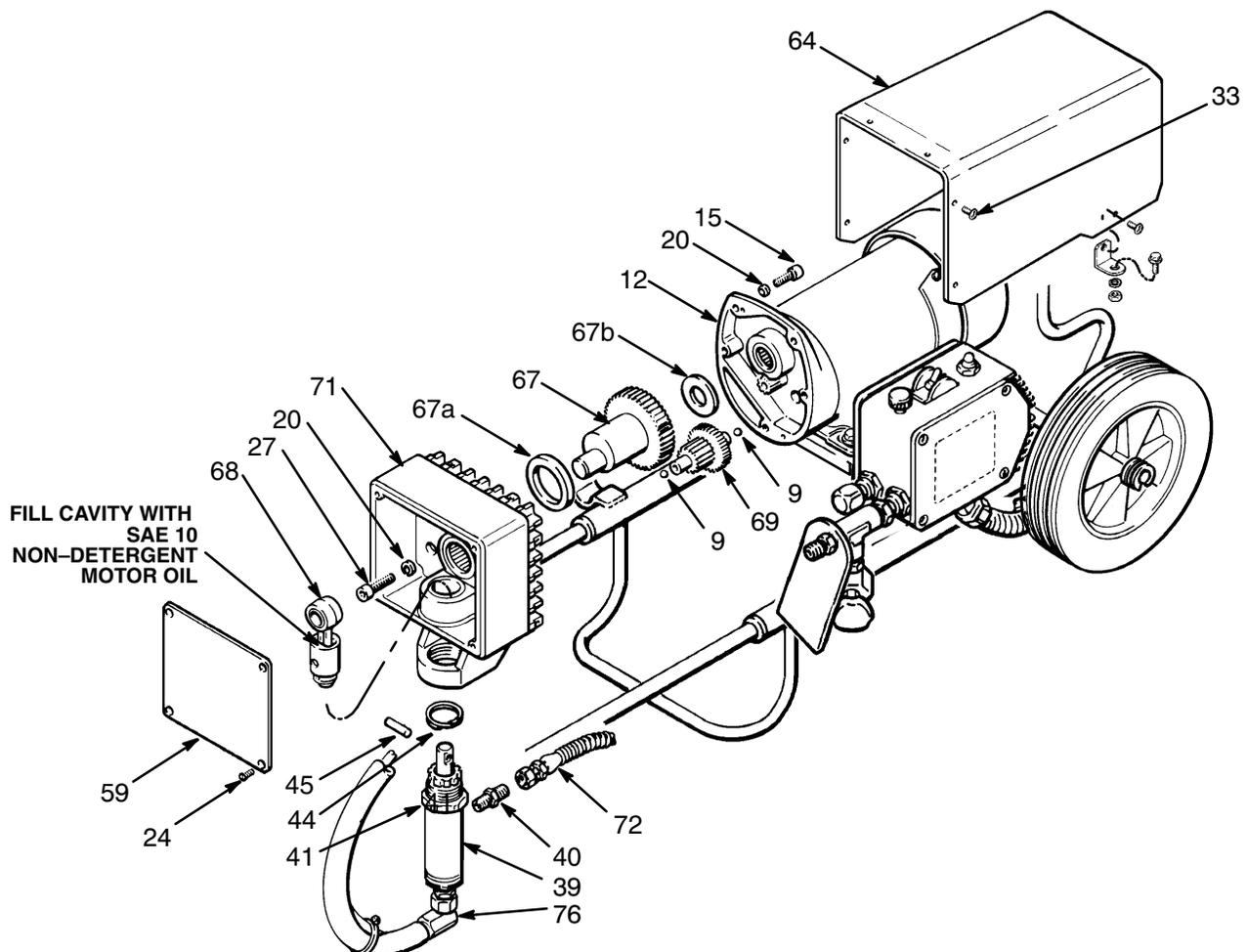


Fig 29-1

## MOTOR REPLACEMENT

### WARNING

Before doing this procedure, follow the **Pressure Relief Procedure Warning** on page 2 to reduce the risk of a fluid injection injury, splashing in the eyes or in the skin, injury from moving parts or electric shock. *Be sure to unplug the sprayer!*

**NOTE:** See Fig 31–1 except where noted.

1. Remove the pressure control cover and screws and disconnect the four motor leads. See the **WIRING DIAGRAM**. Remove the conduit seal (28) from the conduit elbow (345) coming into the control box.
2. Use an adjustable wrench to loosen the conduit connector nut (345) at the pressure control assembly (31).
3. Swing the conduit (1) away from the pressure control .
4. Pull the motor leads through the connector, one at a time.

### CAUTION

Always pull the motor leads one at a time to avoid loosening the terminals.

5. Loosen the connector nut (30) at the motor and pull the conduit (1) away from the motor . Then pull the leads through the conduit, one at a time.
6. Unscrew the connector (30) from the motor.
7. Pull the motor leads through the connector, one at a time.
8. Remove the front cover (59).
9. Unscrew the swivel union (76) from the pump, holding a wrench on the pump intake valve to keep the pump from loosening.
10. Disconnect the pump outlet hose (72) from the displacement pump outlet nipple (40).
11. Use a screwdriver to push up the retaining spring (44) at the top of the pump. Push the pin (45) out the rear. *See Fig 28–1.*
12. Loosen the jam nut (41) with an adjustable wrench. Unscrew and remove the displacement pump.

13. Turn the displacement rod so the pin hole faces straight back. Insert a hex key wrench through the hole to remove the screw (27). Remove the other two screws (27) and lockwashers (20) from the front of the drive housing (71). *See Fig 28–2.*
14. Remove the motor shield (64).
15. Remove the two screws (15) and lockwashers (20) from the top of the motor.
16. Use a plastic mallet to gently tap the displacement pump (39) from the rear to loosen the drive housing from the front of the motor. Then pull the drive housing away from the of the motor.

### CAUTION

DO NOT allow the gear reducer (69) to fall when removing the drive housing (71). It is easily damaged if dropped. The reducer may stay engaged in either the front end bell or the drive housing.

DO NOT lose the thrust balls (9) located at each end of the gear reducer (69) or allow them to fall between gears. The balls, which are heavily covered with grease, usually stay in the gear recesses, but could be dislodged. If caught between gears and not removed, the balls will seriously damage the drive housing. If the balls are not in place, the bearings will wear prematurely.

17. Remove the motor mounting hardware: screws (8), lockwashers (1 1) and nuts (10) from the motor bracket (A).
18. Lift the motor off the frame.
19. Align the new motor with the frame mounting holes. Install the motor mounting hardware.
20. Liberally grease the gear reducer (69) and pinion gear (B) and pack all bearings in the motor front end bell. Check to be sure the thrust balls (9) are in place.
21. Align the gears and push the drive housing (71) straight onto the front of the motor and the locating pins.
22. Starting at Step 15 and working backwards, continue to reassemble the sprayer.

**NOTE:** Use a turning motion on the conduit (1) when feeding wires through it.

# MOTOR REPLACEMENT

## WIRING DIAGRAM

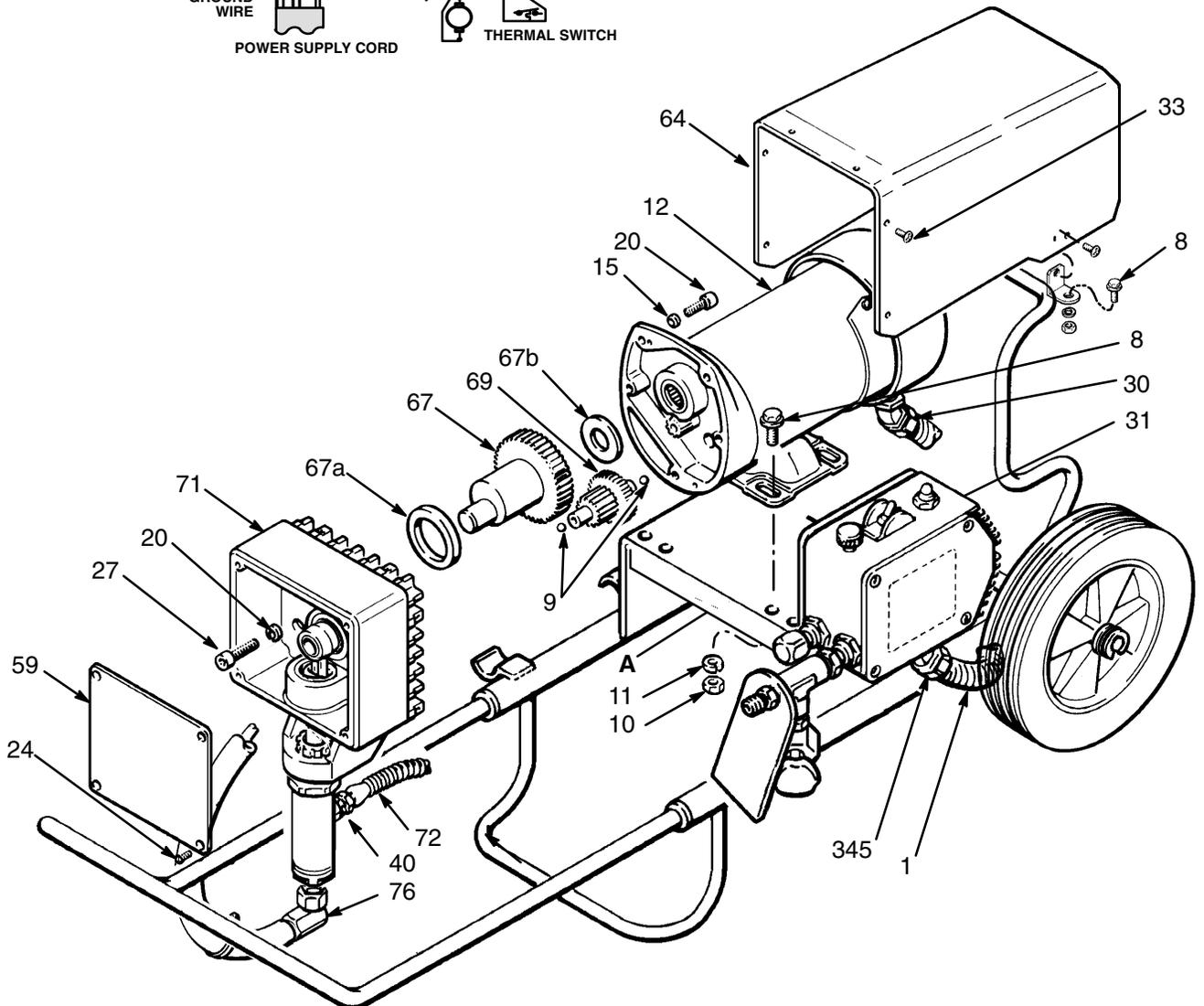
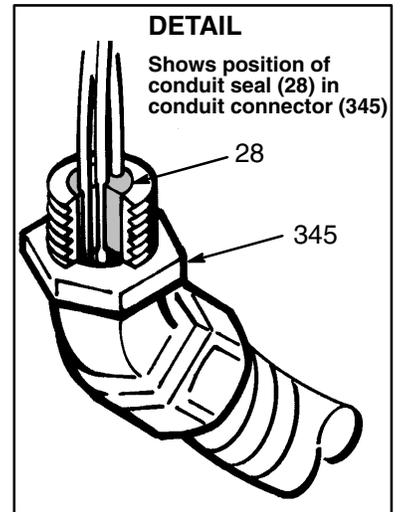
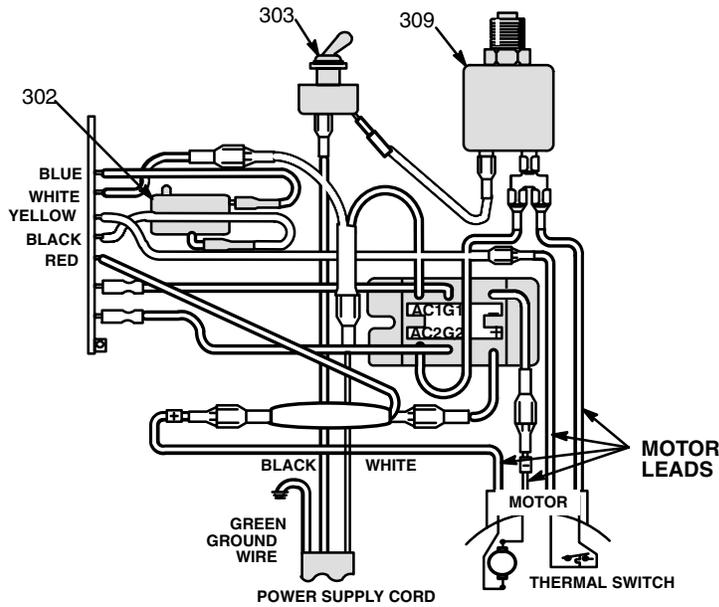


Fig 31-1

## DISPLACEMENT PUMP REPAIR

### WARNING

Before doing this procedure, follow the **Pressure Relief Procedure Warning** on page 2 to reduce the risk of a fluid injection injury, splashing in the eyes or skin, injury from moving parts or electric shock. *Unplug the sprayer!*

**NOTE:** Packing Repair Kit 222-687 is available. For the best results use all the parts in the kit. Parts included in the kit are marked with an asterisk, for example (212\*) in the text and drawings.

### Removing the Pump Refer to Fig 32-1.

1. Flush the pump, if possible, and relieve pressure again. Stop the pump with the piston rod (221) in its lowest position.
2. Unscrew the elbow (76) from the pump intake. Hold the wrench on the pump intake valve (220) to keep the pump from loosening.
3. Unscrew the hose (72) from the nipple (40).
4. Use a screwdriver to push the retaining spring (44) up and push out the pin (45).
5. Loosen the locknut (41) and unscrew the pump from the bearing housing (71).
6. Go to **Disassembling the Pump** on the bottom right side of this page.

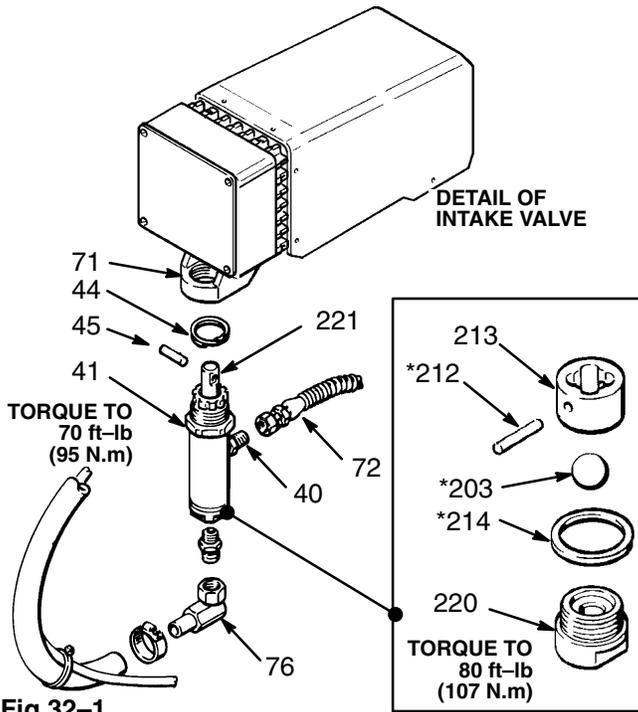


Fig 32-1

### Reinstalling the Pump Refer to Fig 32-2.

1. Screw the pump about 3/4 of the way into the drive housing (71). Hold the pin (45) up to the pin hole in the connecting rod (68) and continue screwing in the pump until the pin slides easily into the hole. Back off the pump until the top threads of the pump cylinder are flush with the face of the drive housing, and the nipple (40) is facing back. Push the retaining spring (44) into the groove all the way around the connecting rod.

### WARNING

Be sure the retaining spring (44) is firmly in the groove of the connecting rod, *all the way around*, to prevent it from working loose due to vibration. See Fig 32-2.

If the pin works loose, it or other parts could break off due to the force of the pumping action. These parts could be projected through the air and result in serious bodily injury or property damage, including damage to the pump, connecting rod or bearing housing.

2. Torque the locknut (41) to 70 ft-lb (95 N.m). Refer to the **CAUTION**, below.

### CAUTION

If the locknut loosens during operation, the threads of the drive housing (71) will be permanently damaged. Be sure to tighten the locknut firmly.

3. Tighten the packing nut (221) just enough to stop leakage, but no tighter. Fill the wet-cup/packing nut 1/3 full with Graco TSL.

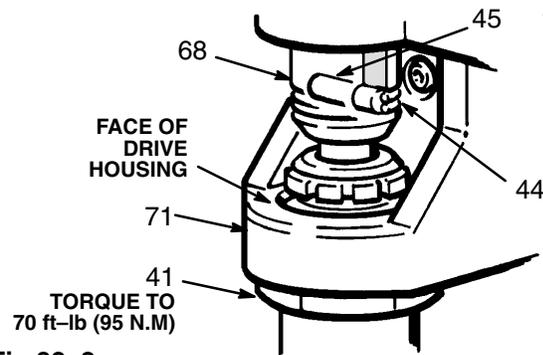


Fig 32-2

### Disassembling the Pump

Refer to Fig 33-3, except where noted.

1. Unscrew the intake valve (220) from the cylinder (219). Remove the gasket (214\*), ball guide (213), stop pin (212\*) and ball (203\*) from the valve. Clean and inspect the parts for wear or damage, replacing parts as needed. **Always** use a new gasket (214\*), provided in the repair kit. See Fig 32-2.
2. Unscrew and remove the packing nut (21) and plug (209).
3. Use a plastic mallet to tap the piston rod *down*. Pull the rod out through the *bottom* of the cylinder.
4. Remove the throat packings (217\*) and glands (210\* and 208\*).
5. Clamp the flats of the piston rod in a vise. Use a 7/8 in. wrench to loosen the retaining nut (207), and then to unscrew the piston valve (222) from the rod.
6. Remove the backup washer (216\*), seal (204\*), packings (215\*) and glands (218\* and 206\*).



## DISPLACEMENT PUMP REPAIR

### Reassembling the Pump

**NOTE:** The lips of the *throat V-packings* **MUST face DOWN**. The lips of the *piston V-packings* **MUST face up**. The lips of the U-cup seal (204) **MUST face down**. Incorrect installation damages the packings and results in pump leakage.

Coat the piston rod, inside of the cylinder, and the packings with lightweight oil to help prevent packing damage when inserting the piston rod.

1. Check the outside of the piston rod (221) and the inside of the cylinder (219) for scoring or scratches. If the parts are damaged, new packings will not seal properly. Replace these parts if needed.
2. Stack the backup washer (216\*), u-cup seal (204\* – lips down), female gland (218\*), packings (215\* – lips up) and male gland (206\*) onto the piston valve (222). See Fig 33–3.
3. Tighten the packing retaining nut (207) against the piston valve (222) and torque to 1–2 in-lb (0.11–0.22 N.m). See Fig 33–1.

**Note the alignment** of the piston (222) to the nut (207) and maintain this alignment through Steps 3 to 7.

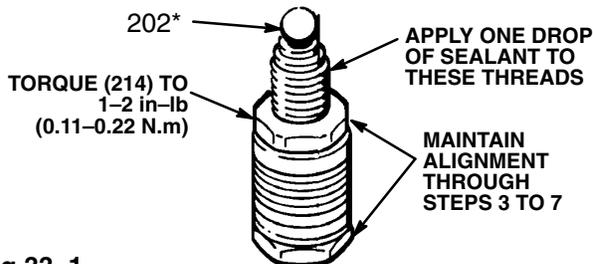


Fig 33–1

4. Apply *only 1 drop* of adhesive, supplied with the repair kit, to the threads of the piston valve. Place the small ball (202\*) on the piston valve (222). See Fig 33–1.
5. Hand tighten the valve assembly into the piston rod just until the nut (207) contacts the face of the rod. See Fig 33–2.

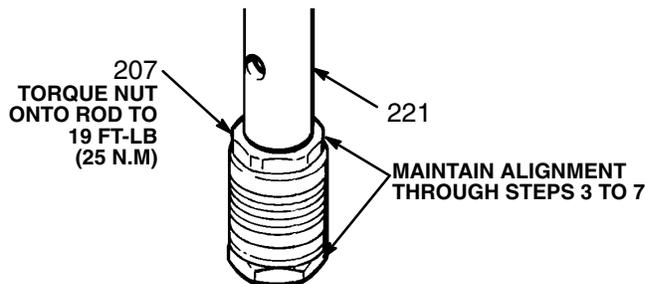


Fig 33–2

6. Place the piston rod flats in a vise.
7. Tighten the retaining nut (207) onto the piston rod (221). Torque to 19 ft-lb (25 N.m). Use two wrenches to maintain the alignment mentioned in Step 3.
8. Stack the male gland (208\*), packings (217\* – lips down) and female gland (210\*), one at a time into the top of the cylinder. See Fig 33–3.
9. Install the packing nut (211) and plug (209), but leave loose for now.
10. Insert the piston rod (221) through the *bottom* of the pump cylinder. See Fig 33–3.

11. Screw down the cylinder locknut (41) until it is finger tight at the bottom of the external cylinder threads.
12. Place the flats of the intake valve in a vise. Assemble the intake valve using a new gasket (214\*) and screw the pump cylinder onto the valve. See Fig 33–3. Torque to 80 ft-lb (107 N.m).
13. Tighten the packing nut (211) just enough to stop leakage, but no tighter. Fill the wet-cup/packing nut 1/3 full with Graco TSL.
14. See **Reinstalling the Pump**, on page 32.

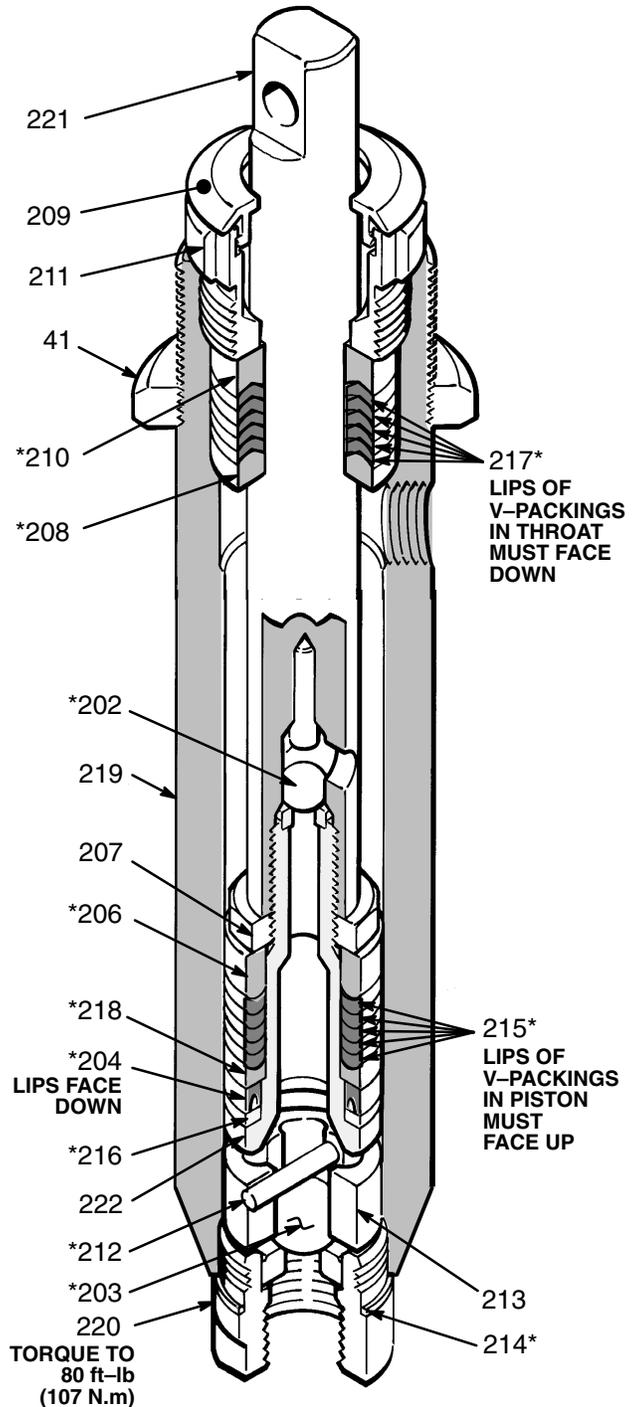
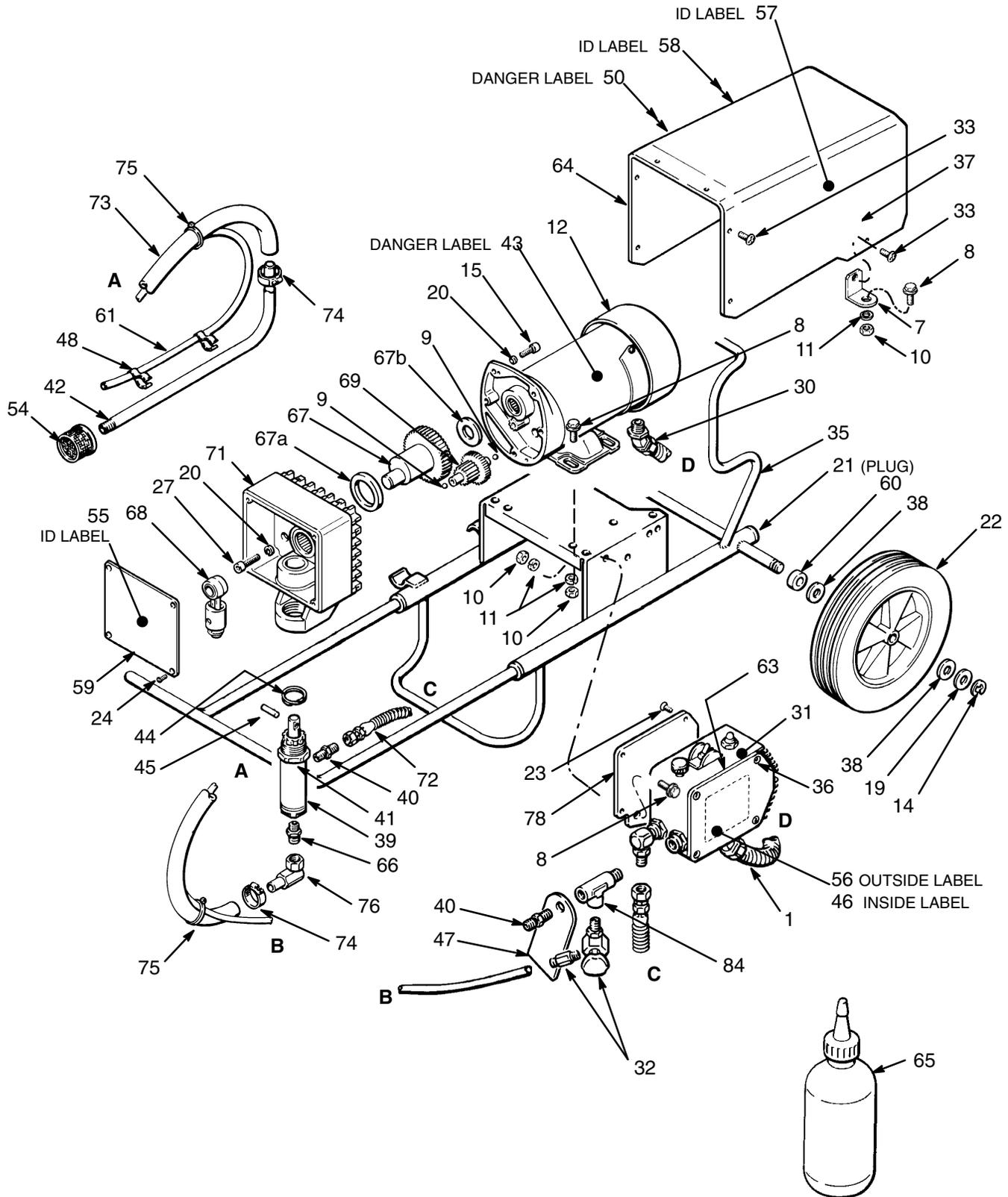


Fig 33–3

# PARTS DRAWING – SPRAYER

Model 231-123, Series B



## PARTS LIST – SPRAYER

### Model 231–132, Series B

Includes items 1 to 84

REF NO.	PART NO.	DESCRIPTION	QTY	REF NO.	PART NO.	DESCRIPTION	QTY
1	065–099	CONDUIT <i>specify length when ordering 0.8</i>	ft	40	162–453	NIPPLE, hex, 1/4 npsm x 1/4 npt	2
7	186–541	BRACKET	2	41	176–762	NUT, hex, 1–1/2–18	1
8	110–963	CAPSCREW, flange head, 5/16–18 x .75"	9	42	170–113	TUBE, suction	1
9	100–069	BALL, 1/4" dia.	2	43	185–954*	LABEL, DANGER	1
10	100–188	NUT, heavy hex, 5/16–18	9	44	176–817	SPRING, retaining	1
11	100–214	LOCKWASHER, spring, 5/16"	9	45	176–818	PIN, straight, hdls, 5/16" dia x 1"	1
12	222–678**	MOTOR, ELECTRIC, 1/2 HP <i>includes items 12a to 12c and one each of items 9 and 43</i>	1	46	177–762*	LABEL, WARNING	1
12a	107–267	.TERMINAL, 0.187, 16–14 AWG, female	2	47	178–034	TAG, WARNING	1
12b	107–504	.TERMINAL, 0.187, 22–18 AWG, female	1	48	178–342	CLAMP, tube	2
12c	596–421	.TERMINAL, 0.250, 16–14 AWG, female	1	50	185–951*	LABEL, DANGER	1
14	101–242	RING, retaining	2	52	180–041	PIN, straight, <i>see page 36</i>	1
15	101–682	CAPSCREW, socket head, 1/4–20 x 5/8"	2	54	181–073	STRAINER	1
16	101–754	PLUG, pipe, soc hd, 3/8 npt <i>see page 36</i>	1	55	186–514	LABEL, identification	1
19	154–636	WASHER, flat, 5/8"	2	56	186–515	LABEL, identification	1
20	105–510	LOCKWASHER, spring, 1/4"	5	57	186–513	LABEL, identification	1
21	105–521	PLUG, tubing, frame	2	58	186–512	LABEL, identification	1
22	108–179	WHEEL, semi–pneumatic	2	59	178–040	COVER, housing	1
23	106–078	SCREW, mach, flat head, thd frmg, 10–24 x 3/8"	4	60	183–275	SPACER	2
24	100–259	SCREW, mach, oval hd, 8–32 x 3/8"	4	61	183–281	TUBE, drain	1
25	107–258	CAP, <i>see page 36</i>	1	63	185–447	COVER, pressure control	1
27	107–445	CAPSCREW, socket head, 1/4–20 x 1.5"	3	64	186–526	SHIELD, MOTOR	1
28	107–447	SEAL, conduit, <i>see page 36</i>	2	65	206–994	THROAT SEAL LIQUID, 8 oz. (0.27 liter)	1
30	108–460	CONNECTOR, conduit, 45°	1	66	183–285	NIPPLE, 3/8 npt x 1/2 npsm	1
31	220–455	PRESSURE CONTROL <i>see parts list on page 36</i>	1	67	218–242	CRANKSHAFT ASSEMBLY, <i>includes items 67a and 67b</i>	1
32	221–077	PRESSURE DRAIN VALVE	1	67a	180–131	.BEARING, thrust	1
33	110–346	SCREW, mach, binding head, 8–32 x 3/8"	8	67b	107–434	.BEARING, thrust	1
35	220–678	CART KIT <i>includes replaceable items 14, 19, 21, 60</i>	1	68	218–359	CONNECTING ROD	1
36	110–037	SCREW, mach, panhead, thd forming, 10–24 x 1/2"	4	69	218–364	GEAR REDUCER	1
37	110–240	CLIP	2	70	218–405	CIRCUIT BOARD, <i>see page 36</i>	1
38	176–884	WASHER, backup	4	71	223–917	DRIVE HOUSING <i>Includes one of item 9</i>	1
39	222–688	DISPLACEMENT PUMP <i>see page 38 for parts</i>	1	72	223–748	HOSE, grounded, nylon, 1/4" ID, 21.75" (736 m) long, cpld 1/4 npsm (fbc), spring guard full length	1
				73	176–920	HOSE, suction	1
				74	103–927	CLAMP, hose	2
				75	103–473	TIE, wire strap	3
				76	221–020	SWIVEL, 90°, 1/2 npsm	1
				78	183–573	BRACKET, mounting, pressure control	1
				84	106–228	TEE, street, 1/4 npt (f x m x f)	1

\*Extra Danger and Warning labels and tags available free.

\*\*Motor Brush Kit 220–853 is available. Purchase separately.

# PARTS – PRESSURE CONTROL

## PRESSURE CONTROL ASSEMBLY 220-455

The terminals listed in this parts list are shown on the wiring diagram on page 37, except Ref. 325, which is shown on this page.

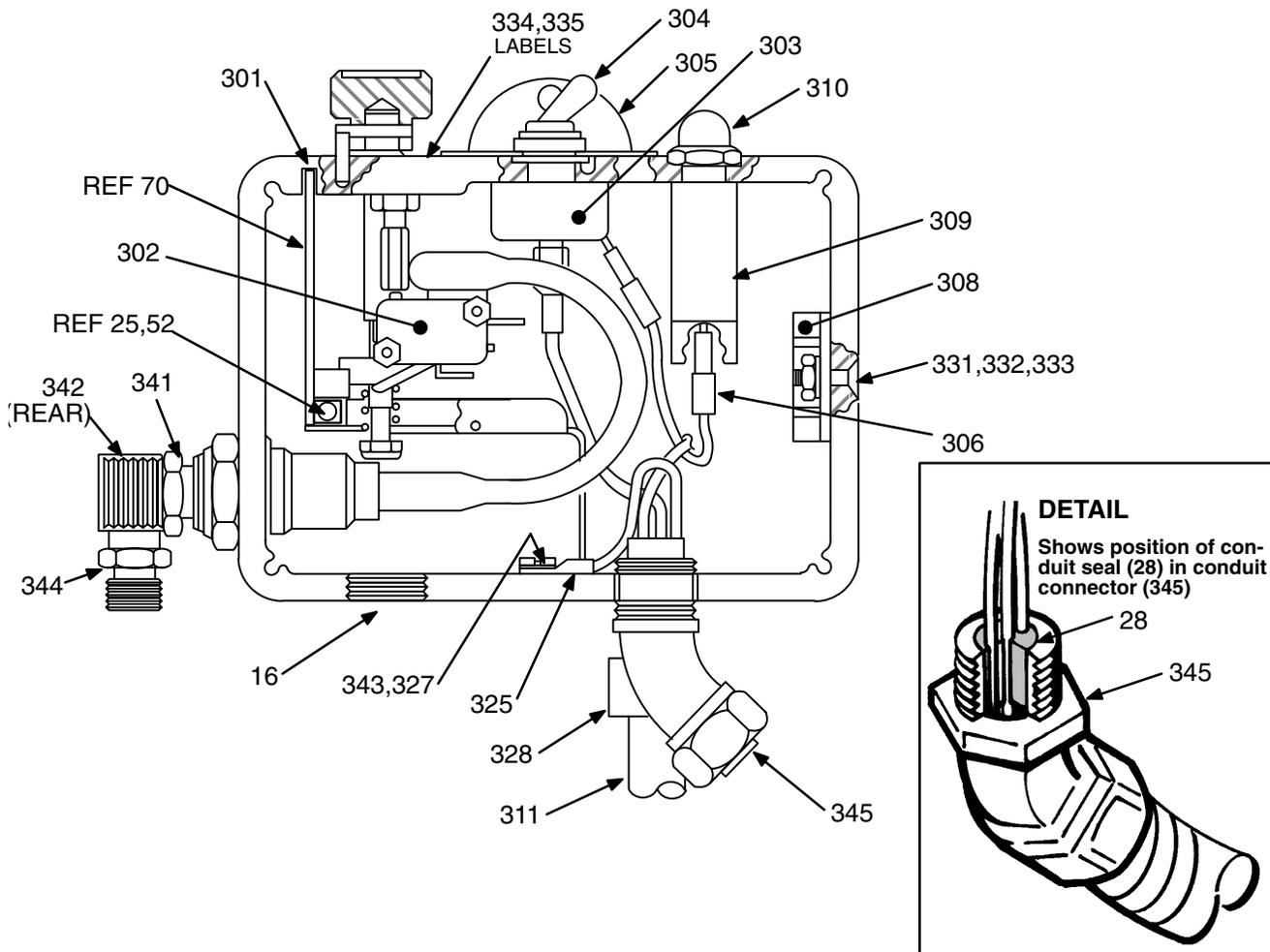
Part numbers for reference numbers 12a-12c, 16, 25, 28, 52 and 70, shown below or on page 37, are given on page 35.

REF NO.	PART NO.	DESCRIPTION	QTY	REF NO.	PART NO.	DESCRIPTION	QTY
301	218-126	BARE PRESSURE CONTROL Includes replaceable items 302 to 305	1	325	102-799*	TERMINAL, ring	1
302	180-043	.MICROSWITCH	1	327	157-021	LOCKWASHER, no. 8, internal	1
303	105-679	.ON/OFF SWITCH	1	328	108-295	BUSHING, strain relief	1
304	105-659	.BOOT, switch	1	331	101-273	SCREW, mach; flat hd; 10-24 x 5/8"	2
305	107-255	.GUARD, locking	1	332	100-179	NUT, hex, 10-24	2
306	218-168	JUMPER WIRE	1	333	100-718	LOCKWASHER, internal, no. 10	2
308	218-170	RECTIFIER, bridge	1	334	178-797†	LABEL, WARNING	1
309	107-256	CIRCUIT BREAKER	1	335	178-035†	LABEL, WARNING	1
310	107-254	BOOT, circuit breaker	1	336	107-261*	TERMINAL, female	2
311	218-169	CORD, power supply	1	337	107-503**	TERMINAL, male	1
312	107-268*	ADAPTER, terminal	1	341	157-350	ADAPTER, 3/8 npt(m) x 1/4 npt (m)	1
314	107-267**	TERMINAL, female	1	342	100-840	ELBOW, street; 1/4 npt(m x f)	1
316	107-262*	TERMINAL, female	1	343	100-035	SCREW, mach; slotted pan hd; 8-32 x 5/16"	1
317	107-396**	TERMINAL, male	1	344	162-453	NIPPLE, 1/4 npt(m) x 1/4 npsm	1
318	107-294**	TERMINAL, female	2	345	108-460	CONNECTOR, conduit	1
319	107-260*	TERMINAL, female	1				
320	107-266*	TERMINAL, male	1				
322	103-886*	TERMINAL, female	1				
323	107-265*,**	TERMINAL, male (two with kit 220-455, one with circuit board)	3				
324	107-263*	TERMINAL, female	1				

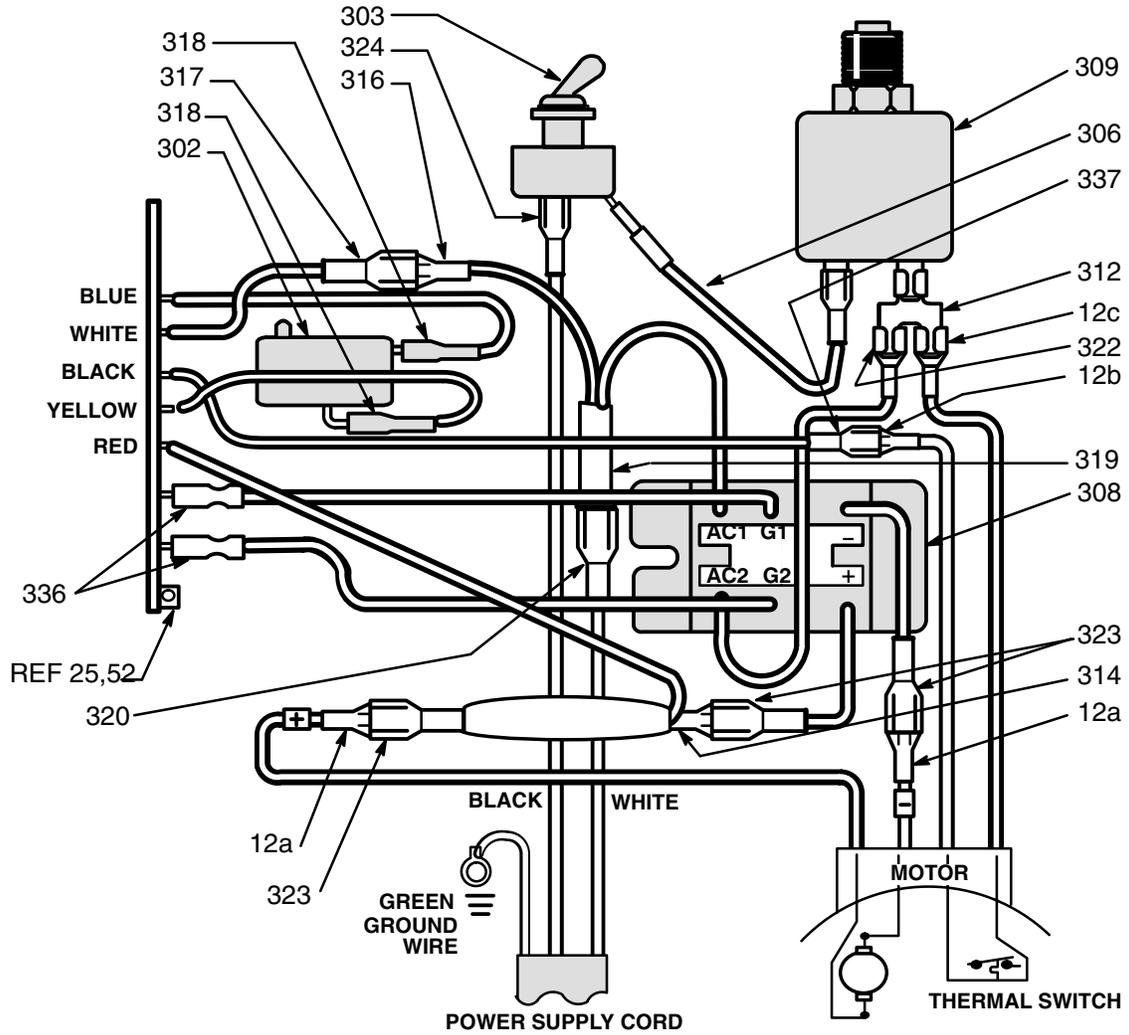
\* Supplied with Kit 220-455

\*\* Supplied with replacement circuit board

† Extra warning labels available free.



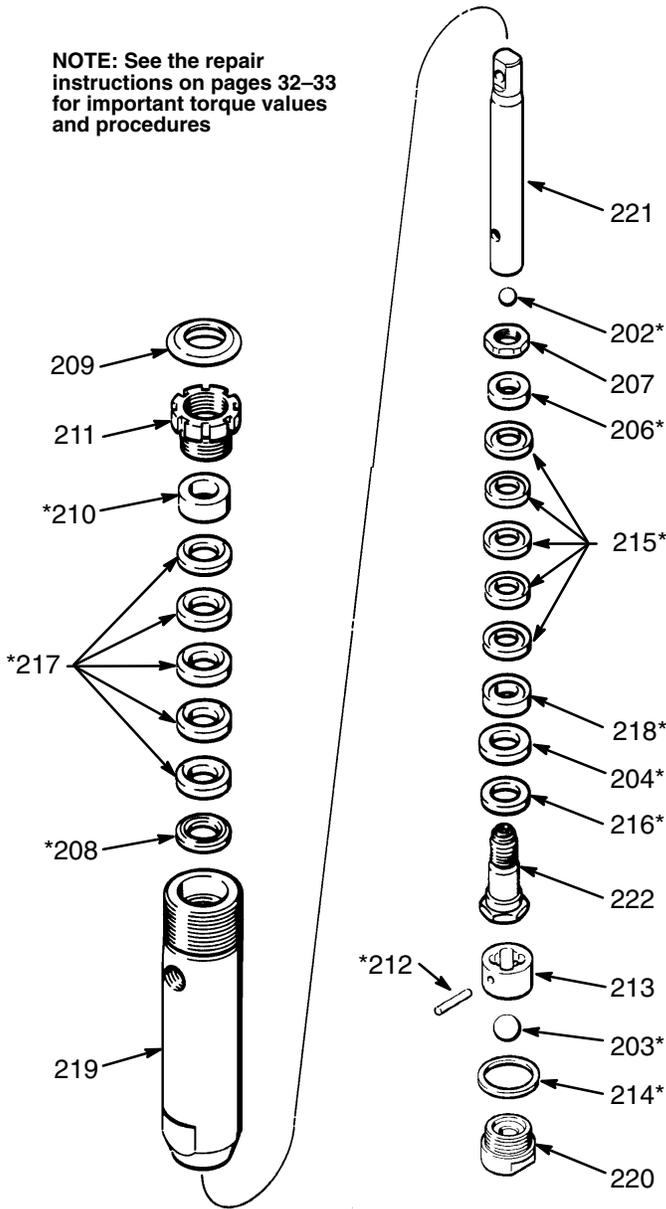
# WIRING DIAGRAM



# PARTS DRAWING

## Model 222-688, Series A Displacement Pump Includes items 202 to 222

**NOTE:** See the repair instructions on pages 32-33 for important torque values and procedures



# PARTS LIST

REF NO.	PART NO.	DESCRIPTION	QTY
202	105-444*	BALL, stainless steel	1
203	105-445*	BALL, stainless steel	1
204	108-995*	SEAL, u-cup, polyethylene	1
206	183-236*	GLAND, male, brass	1
207	176-751	NUT, hex	1
208	183-556*	GLAND, male, brass, throat	1
209	180-656	PLUG	1
210	183-237*	GLAND, female, brass, throat	1
211	176-758	NUT, packing/wet-cup	1
212	176-759*	PIN, ball stop	1
213	176-760	GUIDE, ball, sst	1
214	176-761*	GASKET, copper	1
215	176-882*	V-PACKING, polyethylene	5
216	183-557*	WASHER, backup, brass	1
217	176-997*	V-PACKING, polyethylene, throat	5
218	183-558*	GLAND, female, brass	1
219	183-238	CYLINDER, hard chrome over stainless steel	1
220	215-455	VALVE, intake	1
221	183-239	ROD, piston, hard chrome over stainless steel	1
222	218-197	VALVE, piston	1

*\*Included in Repair Kit 222-687 sold separately.*

## TECHNICAL DATA

Power Requirements	120 VAC, 60Hz, 1 phase, 15 amp minimum
Working Pressure Range	0 – 2750 psi (0 – 190 bar)
Cycles/Gallon (liter)	470 (124)
Maximum Delivery	0.5 GPM (1.9 liter/min)
Power Cord	No. 14 AWG, 3 wire, 8'6" (2.6 m)
Inlet Paint Strainer	16 mesh (1190 micron) Stainless Steel Screen, reusable
Pump Inlet Size	3/8 npt (f)
Fluid Outlet Size	1/4 npsm
Wetted Parts:	
<i>Displacement Pump</i>	Stainless steel, zinc-plated steel, polyethylene, brass, copper

PTFE®

## MANUAL CHANGE SUMMARY

The position of the circuit board optical detector has changed. Now the motor turns on as the bourdon tube flag enters the optical detector. This change advances Sprayer Model 231-123 to Series B.

## DIMENSIONS

Weight (dry w/o packaging)	75 lb (34 Kg)
Height	18 in. (457 mm)
Length	31 in. (787 mm)
Width	16 in. (406 mm)

## ACCESSORIES

### DANGER LABELS

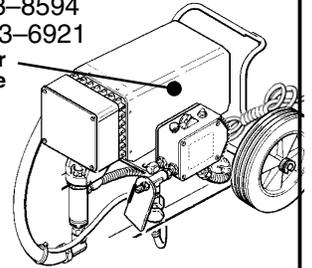
The English language DANGER label shown on page 1 is also on your sprayer. If you have painters who do not read English, order one of the following labels to apply to your sprayer. The drawing below shows the best placement of these labels for good visibility.

Order the labels directly from Graco, free of charge.

Toll Free: 1-800-423-8594  
In Minnesota: 1-612-623-6921

Apply other  
language here

<b>French</b>	<b>185-957</b>
<b>Spanish</b>	<b>185-959</b>
<b>German</b>	<b>186-039</b>
<b>Greek</b>	<b>186-043</b>
<b>Korean</b>	<b>186-047</b>
<b>English</b>	<b>185-591</b>



## THE GRACO ULTRA™ -LINE WARRANTY AND DISCLAIMERS

### WARRANTY

Graco warrants all equipment manufactured by it and bearing its name to be free from defects in material and workmanship on the date of sale by an authorized Graco distributor to the original purchaser for use. As purchaser's sole remedy for breach of this warranty, Graco will, for a period of twelve months from the date of sale, repair or replace any part of the Ultra equipment proven defective, with the exception of defects in parts on the drive train/gear box, which will be repaired or replaced for forty-eight months from the date of sale and the electric motor (excluding brush replacement, which is routine maintenance) or pressure control assembly which will be repaired or replaced for twenty-four months from the date of sale. This warranty applies only when the equipment is installed, operated and maintained in accordance with Graco's written recommendations.

This warranty does not cover, and Graco shall not be liable for, any malfunction, damage or wear caused by faulty installation, misapplication, abrasion, corrosion, inadequate or improper maintenance, negligence, accident, tampering, or substitution of non-Graco component parts. Nor shall Graco be liable for malfunction, damage or wear caused by the incompatibility with Graco equipment of structures, accessories, equipment or materials not supplied by Graco, or the improper design, manufacture, installation, operation or maintenance of structures, accessories, equipment or materials not supplied by Graco.

This warranty is conditioned upon the prepaid return of the equipment claimed to be defective to an authorized Graco distributor for verification of the claim. If the claimed defect is verified, Graco will repair or replace free of charge any defective parts. The equipment will be returned to the original purchaser transportation prepaid. If inspection of the equipment does not disclose any defect in material or workmanship, repairs will be made at a reasonable charge, which charges may include the costs of parts, labor and transportation.

### DISCLAIMERS AND LIMITATIONS

The terms of this warranty constitute purchaser's sole and exclusive remedy and are in lieu of any other warranties (express or implied), **including warranty of merchantability or warranty of fitness for a particular purpose**, and of any non-contractual liabilities, including product liabilities, based on negligence or strict liability. Every form of liability for direct, special or consequential damages or loss is expressly excluded and denied. In no case shall Graco's liability exceed the amount of the purchase price. Any action for breach of warranty must be brought within two (2) years of the date of sale.

### EQUIPMENT NOT COVERED BY GRACO WARRANTY

Graco makes no warranty, and disclaims all implied **warranties of merchantability and fitness for a particular purpose**, with respect to accessories, equipment, materials, or components sold but not manufactured by Graco. These items sold, but not manufactured by Graco (such as electric motor, switches, hose, etc.) are subject to the warranty, if any, of their manufacturer. Graco will provide purchaser with reasonable assistance in making any claim for breach of these warranties.

**Sales Offices:** Atlanta, Chicago, Dallas, Detroit, Los Angeles, Mt. Arlington (N.J.)  
**Foreign Offices:** Canada; England; Korea; Switzerland; France; Germany; Hong Kong; Japan

**GRACO INC. P.O. BOX 1441 MINNEAPOLIS, MN 55440-1441**

PRINTED IN U.S.A. 308-073 5/90 Revised 4/93