

ExactaBlend™ AGP Advanced Glazing Proportioner Heated Platen Kit

332511B

EN

For heating bulk supply of medium to high viscosity polysulfide and urethane materials.
For professional use only.

Not approved for use in explosive atmospheres or hazardous locations.

24R200

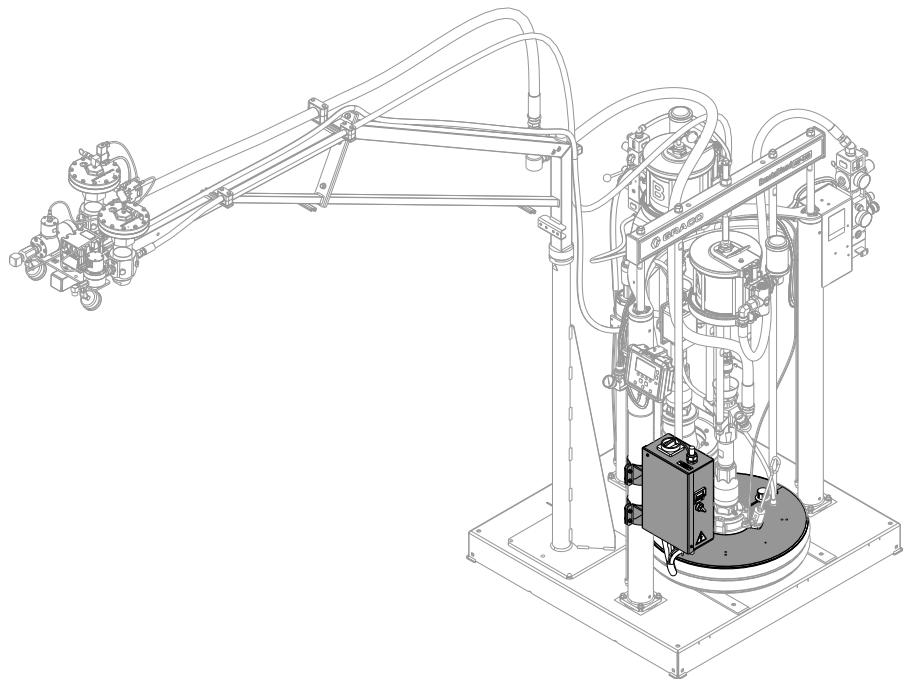
Heated platen kit, high volume

Refer to ExactaBlend AGP Advanced Glazing Proportioner, Setup-Operation manual for maximum working pressure and model information.



Important Safety Instructions

Read all warnings and instructions in this manual and the ExactaBlend AGP Advanced Glazing Proportioner, Setup-Operation manual. Save all instructions.



Related Manuals




Refer to ExactaBlend AGP Advanced Glazing Proportioner, Setup-Operation manual for the complete list of related manuals.

Contents

Related Manuals	2
Contents	2
Warnings	3
Overview	3
System Description	3
Power Requirements	3
Component Identification	4
Heated Platen Kit	4
Heat Controller	5
Installation	6
Grounding	6
Setup	13
Operation	14
Startup	14
Shutdown	14
Maintenance	15
Platen Maintenance	15
Troubleshooting	16
Common Problems	16
Repair	18
Replace Platen Heaters and Sensor	18
Schematic	19
Parts	20
Heated Platen Kit, 24R200	20
Heat Enclosure, 24R870	24
Graco Standard Warranty	28
Graco Information	28

Warnings

The following warnings are for the setup, use, grounding, maintenance, and repair of this equipment. The exclamation point symbol alerts you to a general warning and the hazard symbols refer to procedure-specific risks. When these symbols appear in the body of this manual or on warning labels, refer back to these Warnings. Product-specific hazard symbols and warnings not covered in this section may appear throughout the body of this manual where applicable.

 WARNING	
	<p>ELECTRIC SHOCK HAZARD</p> <p>This equipment must be grounded. Improper grounding, setup, or usage of the system can cause electric shock.</p> <ul style="list-style-type: none"> • Turn off and disconnect power at main switch before disconnecting any cables and before servicing or installing equipment. • Connect only to grounded power source. • All electrical wiring must be done by a qualified electrician and comply with all local codes and regulations.
	<p>BURN HAZARD</p> <p>Equipment surfaces and fluid that's heated can become very hot during operation. To avoid severe burns:</p> <ul style="list-style-type: none"> • Do not touch hot fluid or equipment.

Overview

System Description

The heated platen kit is a field installed kit to add heat to the platen. The additional heat may change the viscosity properties of the material and allow the material to flow easier through the system.

Power Requirements

A 25A (minimum) - 30A (maximum) circuit breaker must be installed on the incoming power supply.

Nominal Voltage**	Wattage	Amps*
240 V	3,500 per Platen	20

* Add to power requirements of ExactaBlend AGP Advanced Glazing Proportioner system. Amps maximum per leg shown.

** 190-264 voltage range acceptable.

Component Identification

Heated Platen Kit

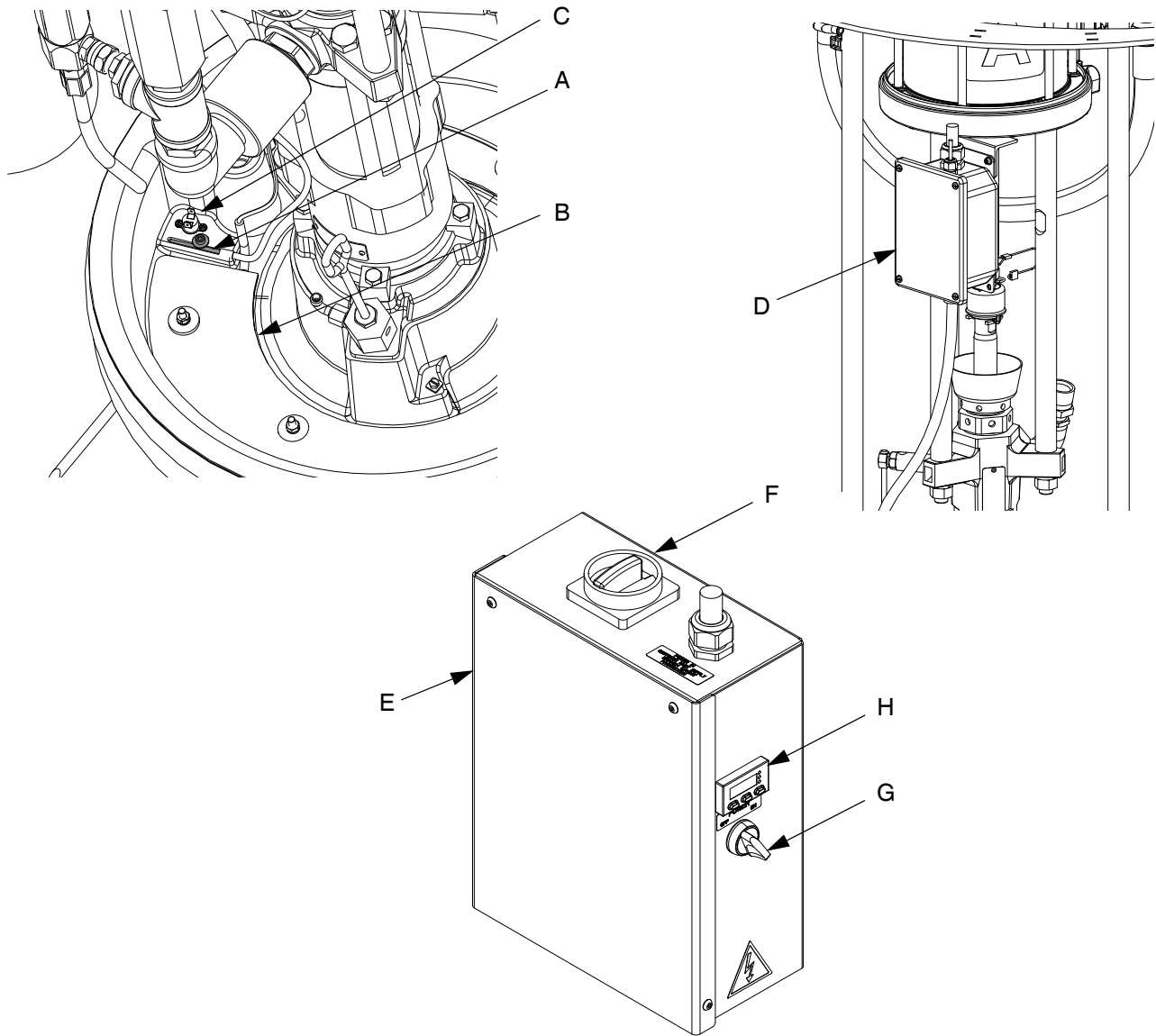


FIG. 1: Heated Platen Kit

Key:

- A RTD Temperature Sensor
- B Heater Coil
- C Temperature Limit Switch
- D Junction Box
- E Heat Electrical Enclosure
- F Main Power Switch

- G Heater Power Switch
- H Heat Controller

Heat Controller

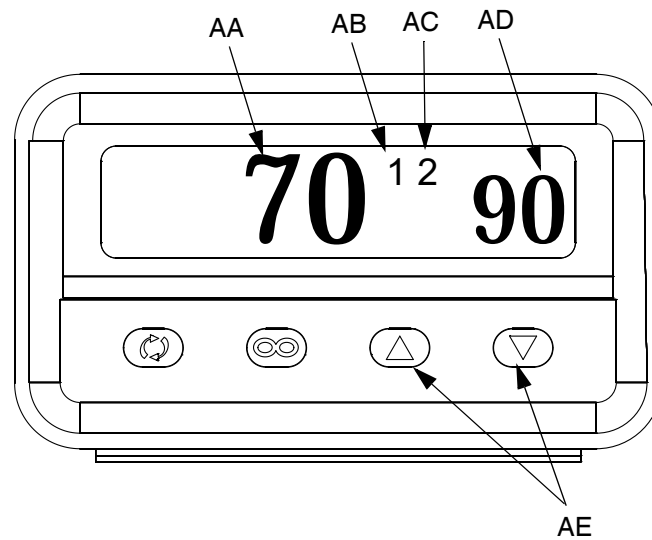
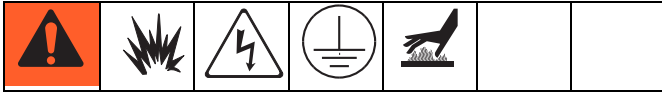


FIG. 2: Heat Controller

Key:

- AA** Current Temperature
- AB** Power is Supplied to Heater
- AC** Power is Supplied to Heat Overtemp Contactor
- AD** Desired Temperature
- AE** Temperature Adjustment

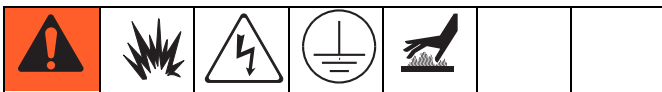
Installation



To avoid serious injury or machine damage, all electrical connections need to be done by a qualified electrician in compliance with local codes.

Grounding

Ground the system as instructed within this manual.

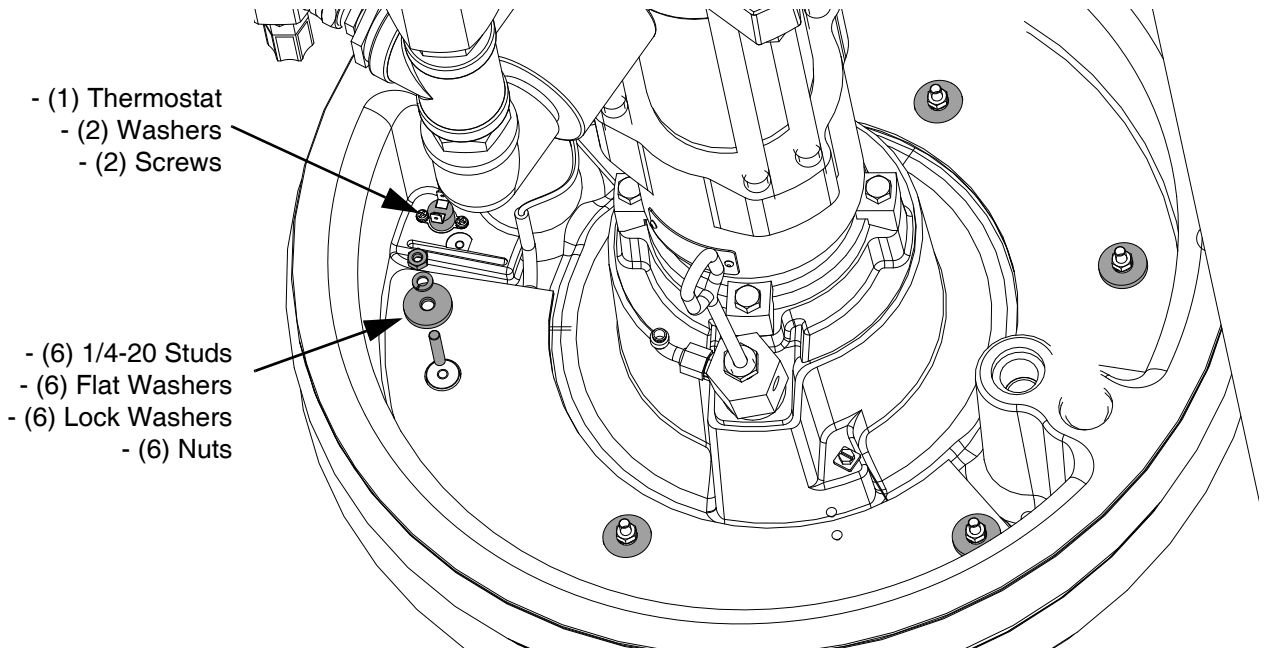


The equipment must be grounded to reduce the risk of static sparking and electric shock. Electric or static sparking can cause fumes to ignite or explode. Improper grounding can cause electric shock. Grounding provides an escape wire for the electric current.

1. Access the Platen

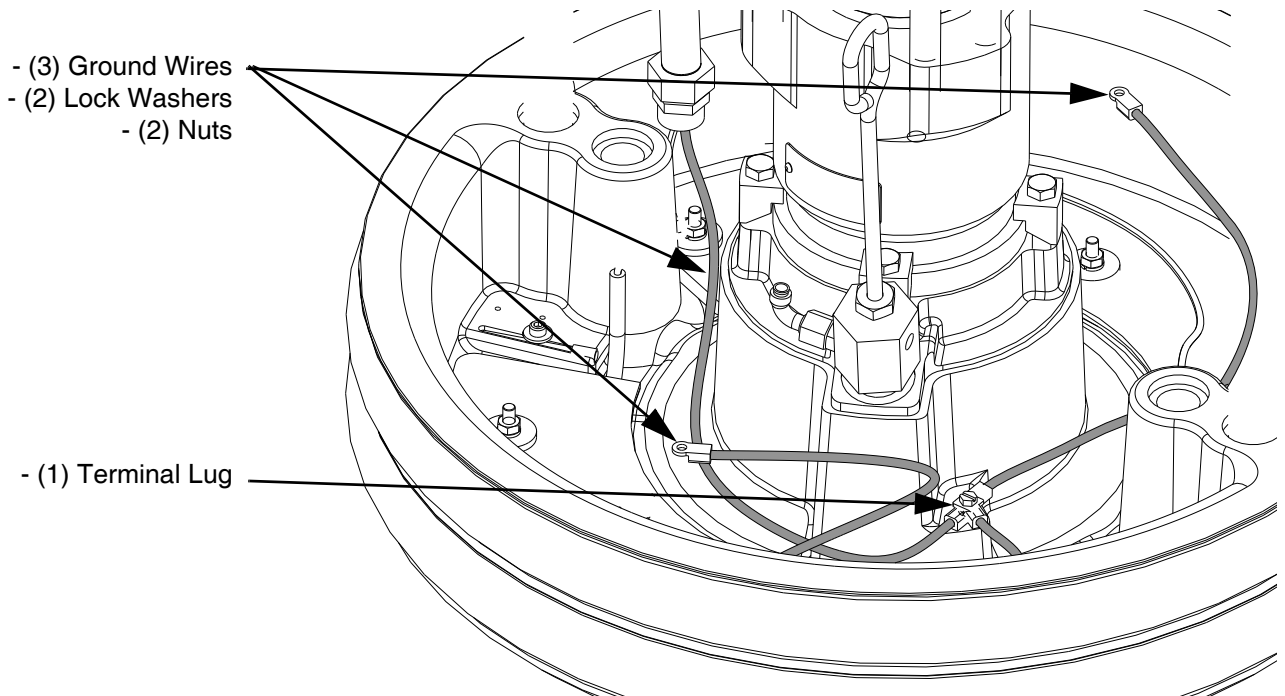
- a. Perform **Change Drums** procedure in the Air-Powered Ram manual. Do not load a new drum.
- b. Perform **Shutdown** procedure in the Exacta Blend AGP Advanced Glazing Proportioner, Setup-Operation manual.
- c. Thoroughly clean all material that may be found on the top of the platen.
- d. Turn off all sources of power to the machine.

2. Install the Heat Coils and the Thermostat Switch.



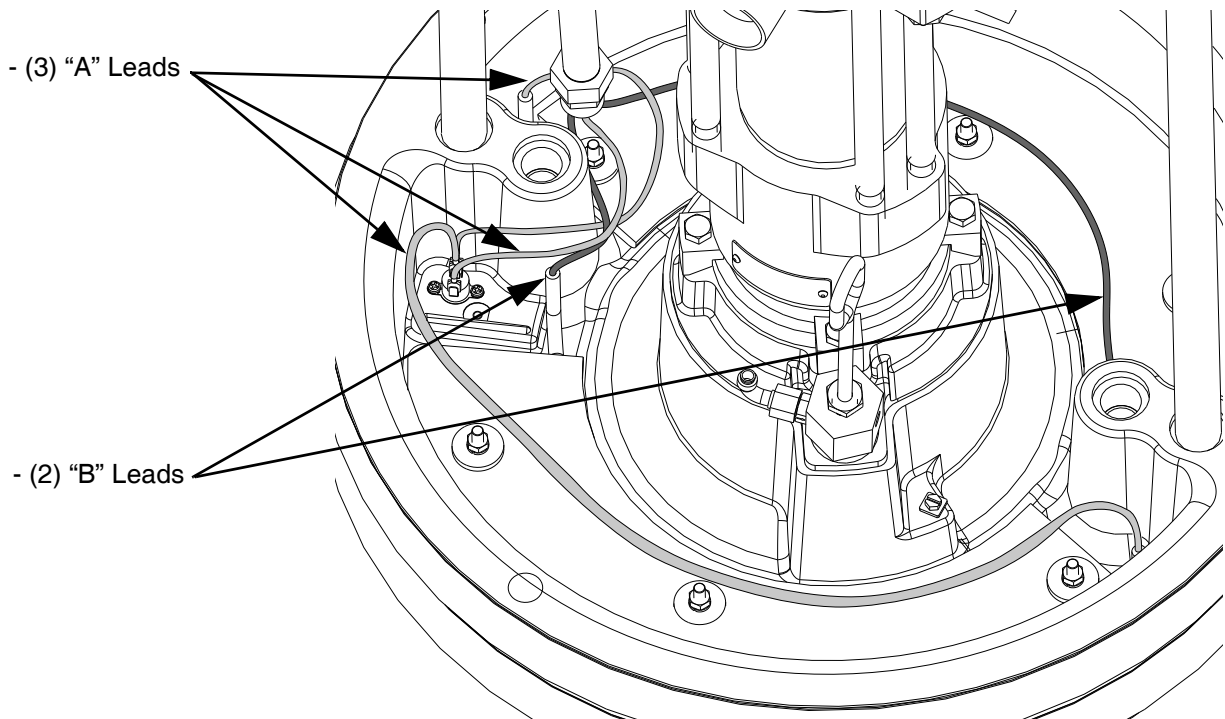
3. Connect the Ground Wires.

Connect the ground wires to the terminal lug and to the platen covers (not shown in view). Attach the conduit to the platen cover and route the wires through the conduit when connections are complete.



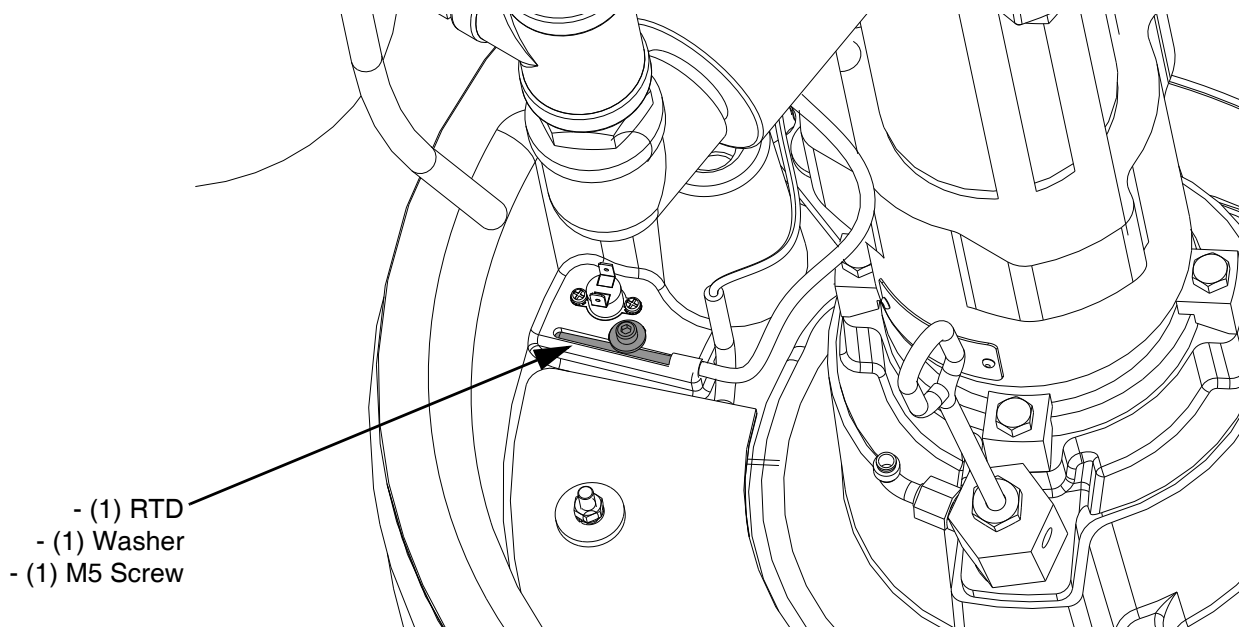
4. Connect the Power Leads.

Label "A" and "B" leads for identification in step 10. Route all the wires through the conduit when connections are complete.



5. Mount the RTD.

Route the wire through the conduit when connections are complete.

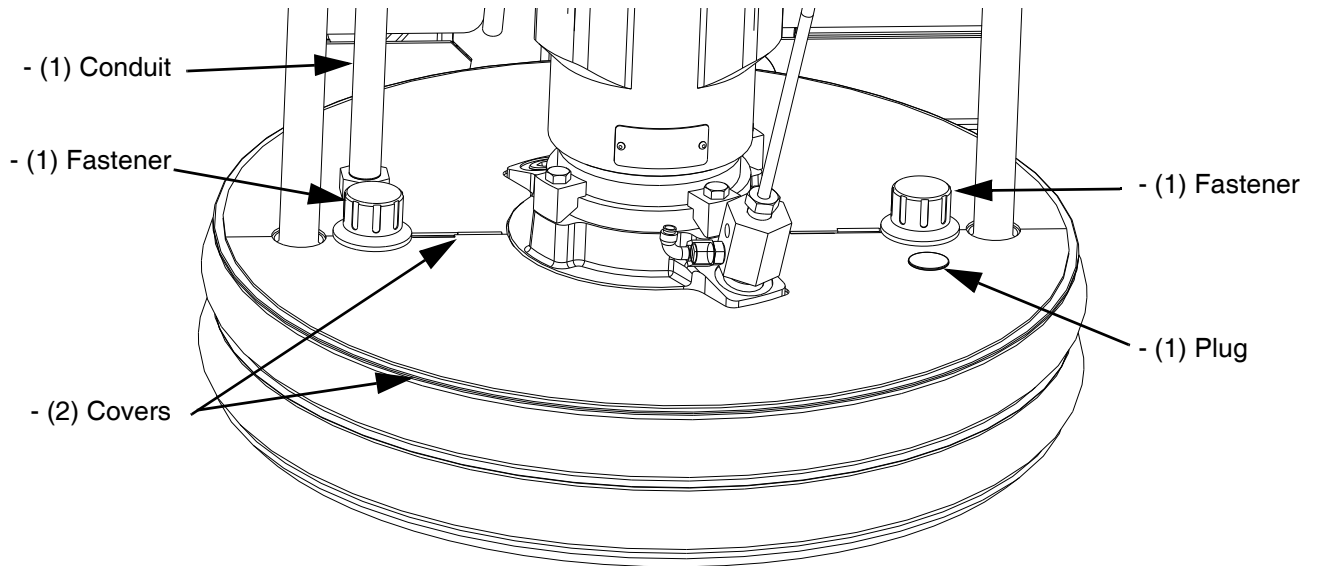


6. Attach the Platen Covers.

NOTICE

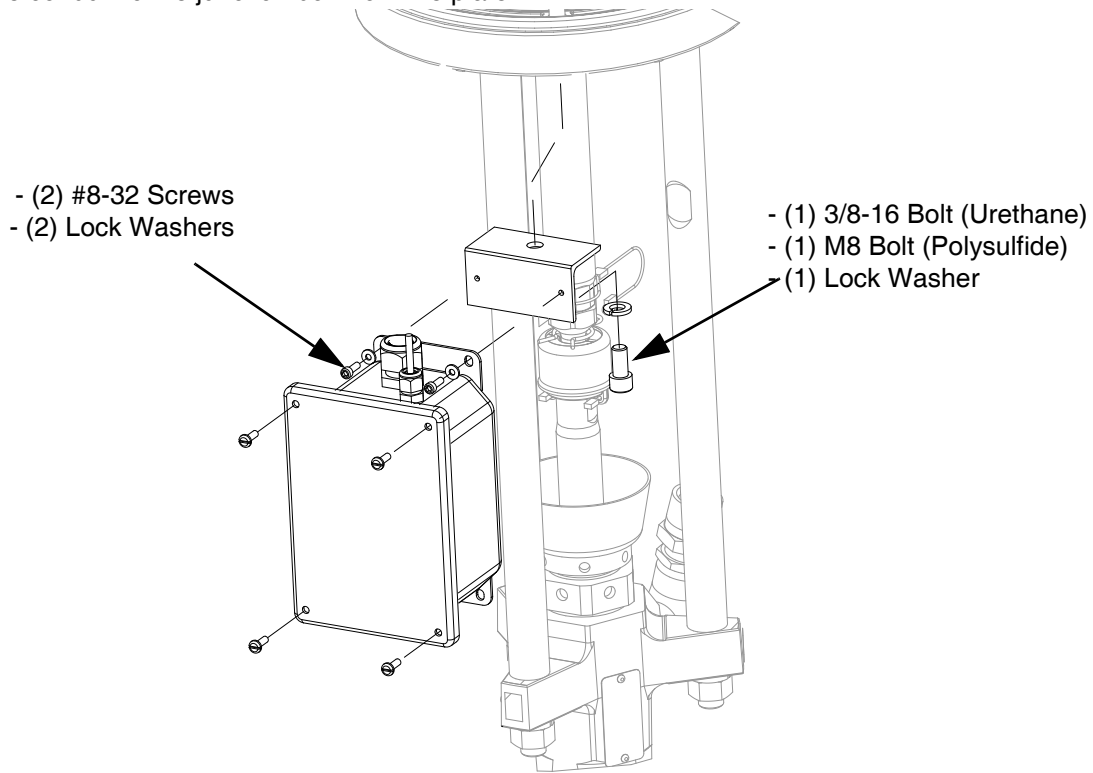
To prevent damage to wires, ensure wires are not pinched when assembling and securing platen covers.

NOTE: Torque the platen cover fasteners to 60 +/- 10 in-lbs (6.8 +/- 1.1 N•m).

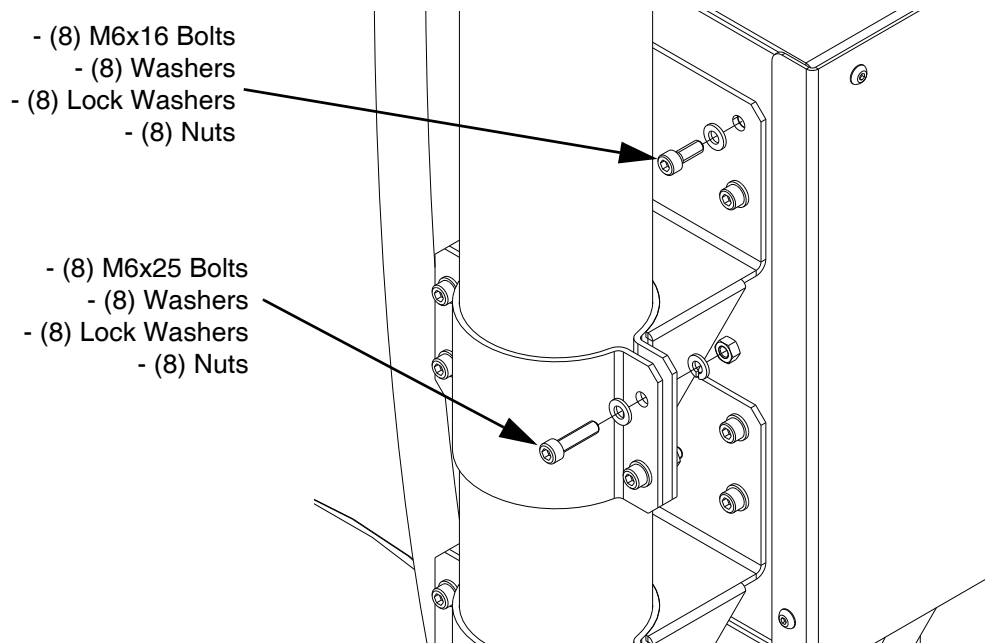


7. Mount the Junction Box.

- a. Mount the junction box to the air motor located on the 55 gallon (208 liter) ram.
- b. Route the conduit to the junction box from the platen.

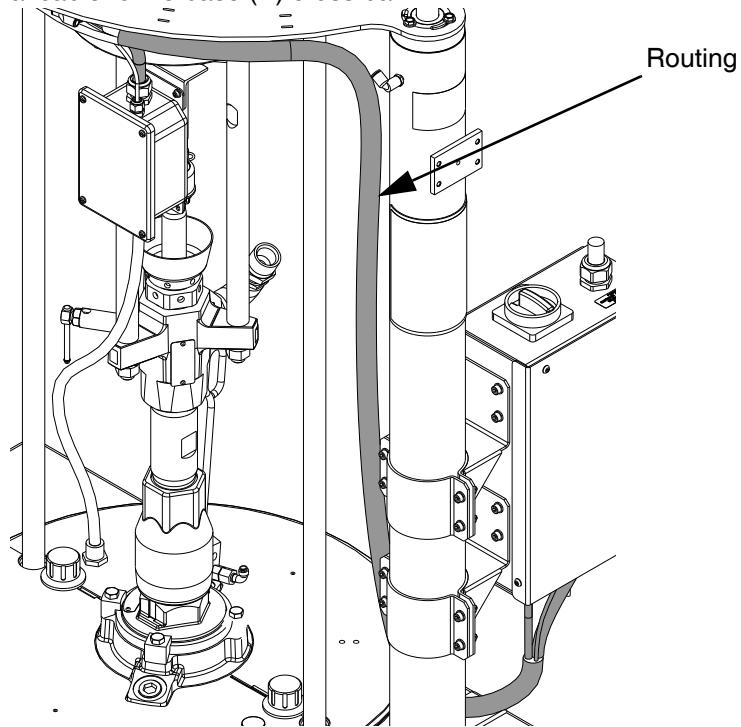


8. Mount the Heat Electrical Panel on the 5 Gallon (19 liter) Ram.



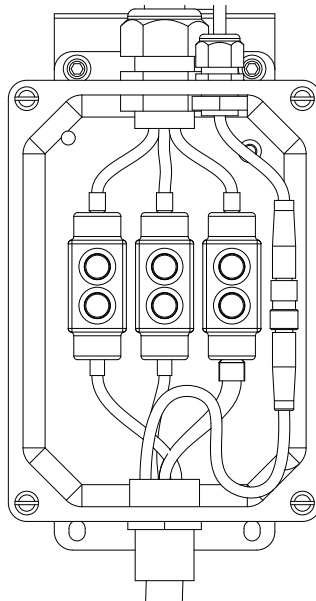
9. Route the Power Cord and Signal Cable to the Junction Box.

Secure the power cord and signal cable to the base (A) cross bar.

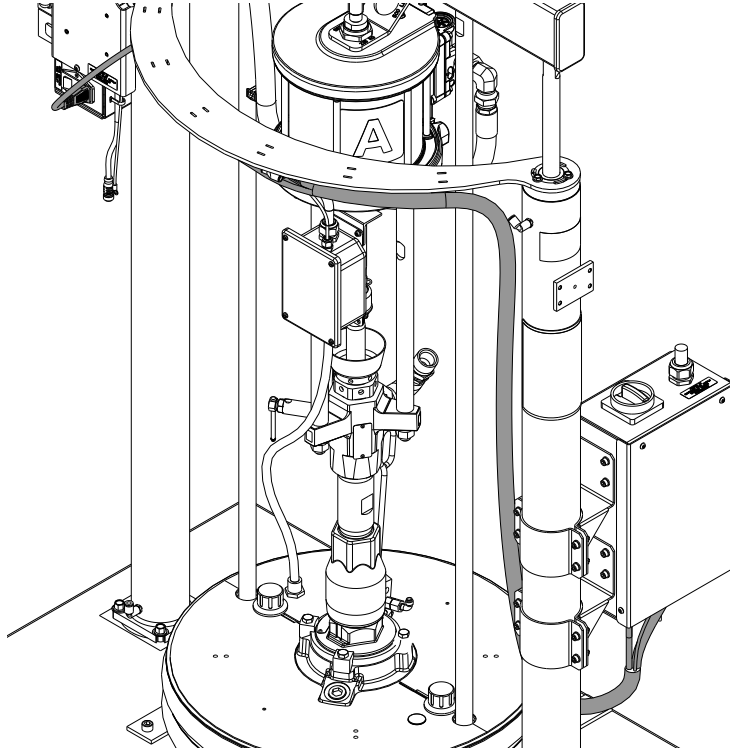


10. Connect the Leads in the Junction Box.

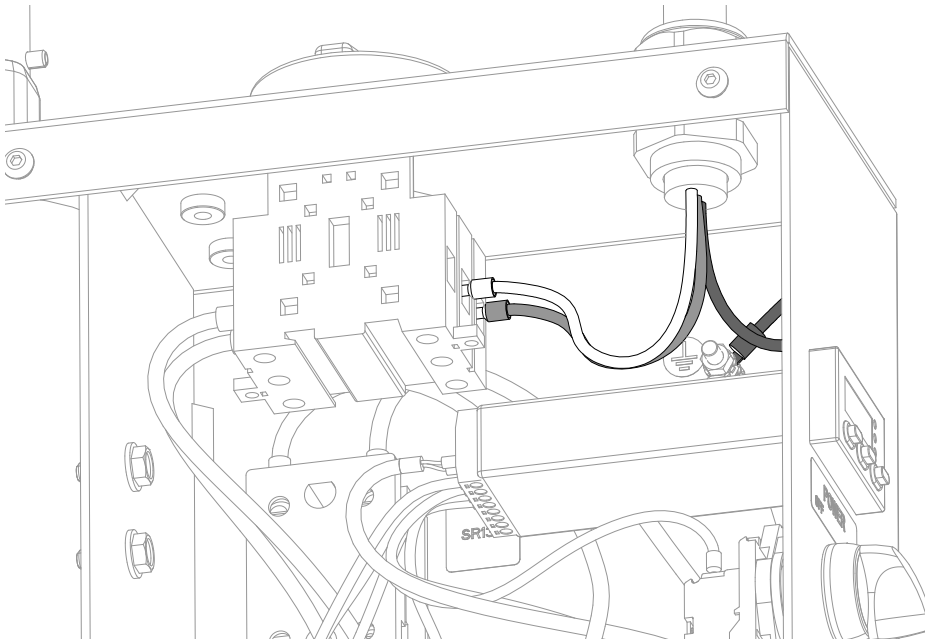
Connect "A" leads, "B" leads, ground, and signal cable within the junction box. Replace the cover.



11. Connect the Power Cable from the Heat Electrical Enclosure to the Main Electrical Enclosure.

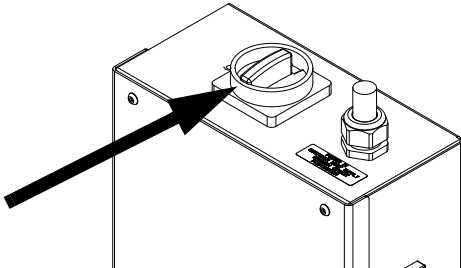


12. Connect Power to the Terminals and Ground.

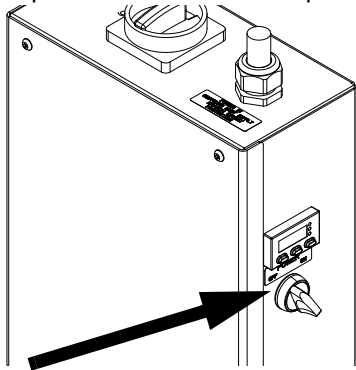


Setup

1. Turn the power on at the heated platen electrical enclosure.

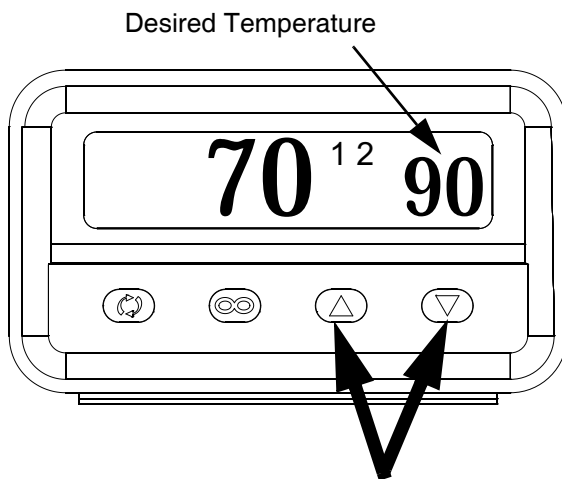


2. Turn the power on at the heater power switch.



3. Set the desired platen temperature by pressing either the up or down arrow keys.

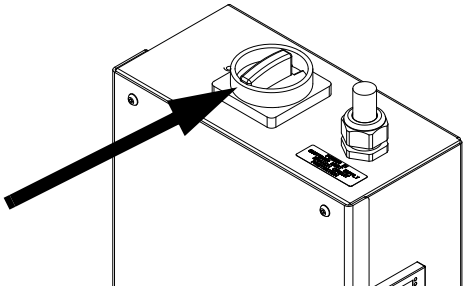
NOTE: Temperature is displayed in Fahrenheit.



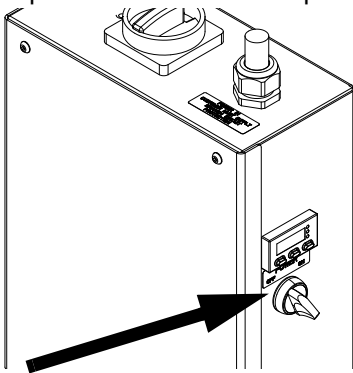
Operation

Startup

1. Turn the power on at the heated platen electrical enclosure.



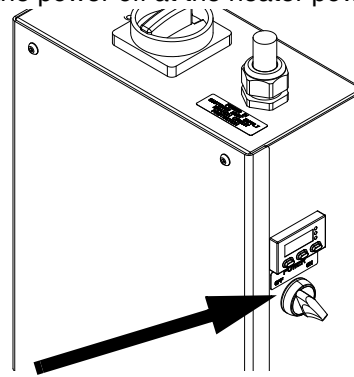
2. Turn the power on at the heater power switch.



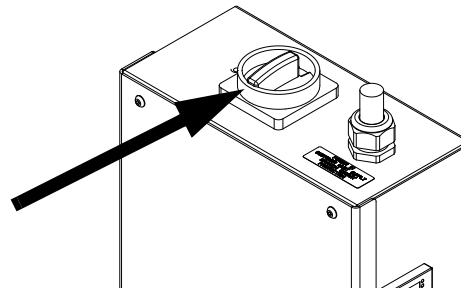
3. Set the desired temperature. Refer to page 5 for details.

Shutdown

1. Turn the power off at the heater power switch.



NOTE: If the entire machine is to be disconnected from electrical power, turn the power off at the heated platen electrical enclosure.



Maintenance

Platen Maintenance



If the platen does not come out of the pail easily when the pump is being raised, the air assist tube or check valve may be plugged. A plugged valve prevents air from reaching the underside of the plate to assist in raising it from the pail.

1. Turn off main disconnect at the machine.
2. Allow equipment to cool.
3. Relieve pressure and disassemble air assist valve. Refer to Supply Systems Repair-Parts manual.
4. Clear air assist tube in platen. Clean all parts of valve and reassemble. Refer to Supply Systems Repair-Parts manual.
5. Remove bleed stick from platen. Push bleed stick through bleed relieve port (P) to remove material residue. See FIG. 3.
6. Remove platen covers. See FIG. 3.
 - a. Remove platen cover fasteners (F).
 - b. Remove both platen covers (C) and ground wire from platen.
7. Remove any excess fluid. Use a soft wire brush on heater coils (H). See FIG. 3.
8. Inspect platen heater blocks (B) or heater (H) for burn or melt spots. Replace platen heater if necessary. See FIG. 3.
9. Check for loose connections and damaged wires.
10. Follow steps in reverse order to reassemble platen.

NOTE: Torque platen cover fasteners (F) to 60 +/- 10 in-lbs (6.8 +/- 1.1 N•m) for 55 gallon platen.

Remove and Reinstall Platen Wipers

Refer to **Supply Units Repair-Parts** manual for instructions.

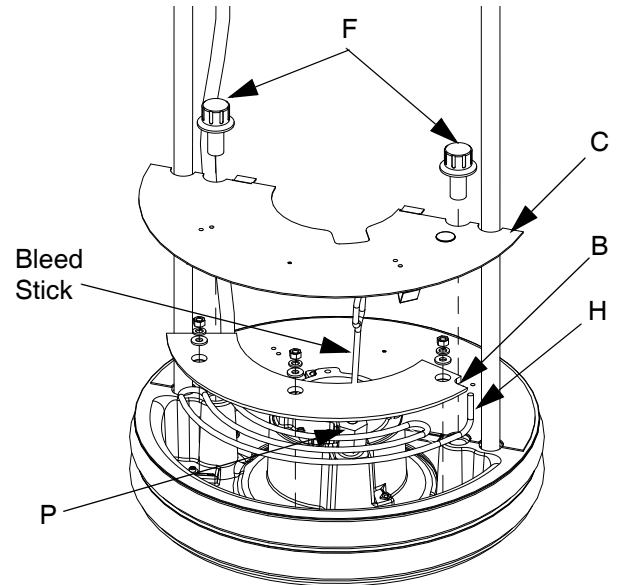


FIG. 3: Remove Platen Covers and Heaters

Troubleshooting



Before performing any troubleshooting procedure:

1. Perform **Pressure Relief Procedure** In the Exacta Blend AGP Advanced Glazing Proportioner, Setup-Operation manual.
2. Turn off main disconnect at the machine.
3. Allow equipment to cool.

Try the recommended solutions in the order given for each problem, to avoid unnecessary repairs. Also, determine that all circuit breakers, switches, and controls are properly set and wiring is correct before assuming there is a problem.

Common Problems

Problem	Cause	Verification	Solution
Heating is slow.	Low power.	Measure voltage across circuit breakers. Voltage should measure between 190 and 264 Vac.	<ol style="list-style-type: none"> 1. If voltage is lower than expected, use electrical schematic to locate faulty wiring or connection. 2. Have a qualified electrician service electrical components.
Heating over shoots.	Defective solid state relay.	Verify for given zone that temperature does not increase when zone is disabled.	Verify RTD wire or heater power cord is attached to correct heat module. Replace relay.

Problem	Cause	Verification	Solution
No heat.	Tripped circuit breaker.	Visually check circuit breaker for a tripped condition.	Determine cause of tripped circuit breaker. Then repair fault and reset main circuit breaker.
	Low power.	Measure voltage across circuit breakers. Voltage should measure between 190 and 264 Vac.	<ol style="list-style-type: none"> 1. If voltage is lower than expected, use electrical schematic to locate faulty wiring or connection. 2. Have a qualified electrician service electrical components.
	Cable unplugged/loose wire.	Check for loose or disconnected wires and plugs.	Attach plug/wire.
	Incorrect temperature set point.	Verify zone has a correct temperature setting on the controller.	Enter Setup and enter correct temperature.
	Contactor not closing.	Turn on heat for zone A1 and ensure contactor closes.	<ol style="list-style-type: none"> 1. Verify that there are no other error conditions that would prevent heater from starting. 2. Replace contactor.

Repair

Replace Platen Heaters and Sensor



55 Gallon Platen Heater and Sensor

1. Turn off main disconnect at the machine.
2. Allow equipment to cool.
3. Remove both platen cover fasteners (F).
4. Remove both platen covers (C) and ground wire from platen.
5. Remove platen heater blocks (B).
 - a. Use a hex wrench to remove three nuts (N) and washers (L, W) from each heater block.
 - b. Remove screws from junction box cover. Loosen strain relief nut, and remove junction box cover.
6. Install new platen heaters and RTD sensor (R). Secure RTD sensor (R) with screw and washer. Secure platen heater blocks with nuts and washers.
7. Label platen heater wires A and B. Reroute platen heater wires and platen RTD sensor (R) through the conduit to the junction box. Reconnect the four wires to the appropriate terminal block A and B. Reconnect the platen RTD sensor (R).
8. Reinstall junction box cover. Secure with screws and tighten strain relief nut.
9. Reconnect ground wire, and install platen covers. Secure platen covers with fasteners. Torque platen cover fasteners to 60 in-lbs +/- 10 in-lbs (6.8 +/- 1.1 N•m).

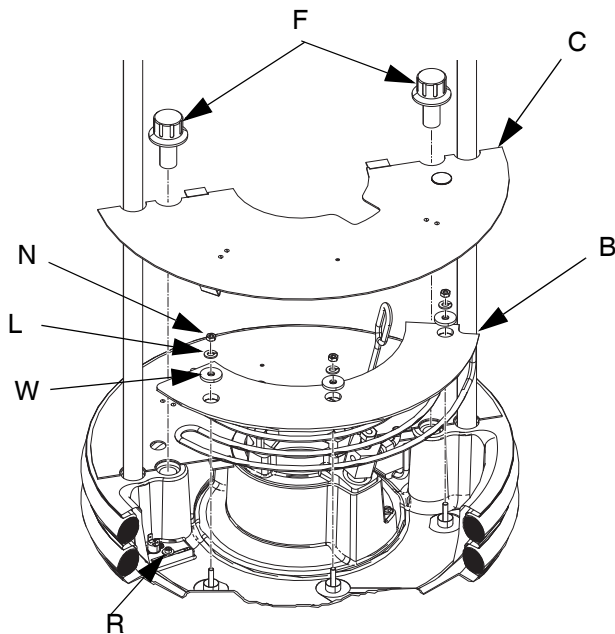
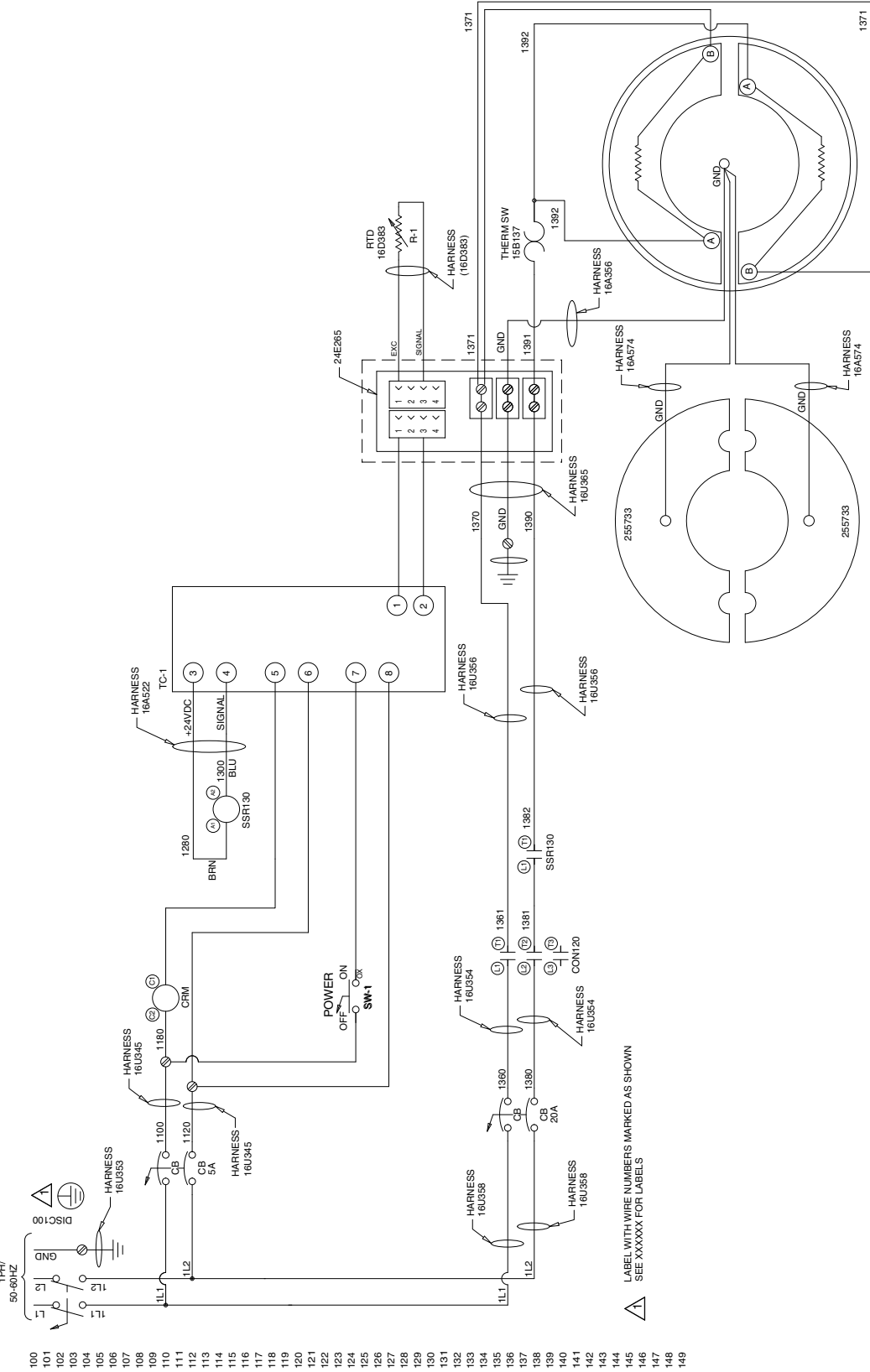


FIG. 4: Replace Platen Heaters and RTD sensor (R)

5. Remove platen heater blocks (B).
 - a. Use a hex wrench to remove three nuts (N) and washers (L, W) from each heater block.
 - b. Remove screws from junction box cover. Loosen strain relief nut, and remove junction box cover.

Schematic

CUSTOMER MUST SUPPLY BRANCH CIRCUIT PROTECTION



⚠ LABEL WITH WIRE NUMBERS MARKED AS SHOWN
SEE XXXXX FOR LABELS

Parts

Heated Platen Kit, 24R200

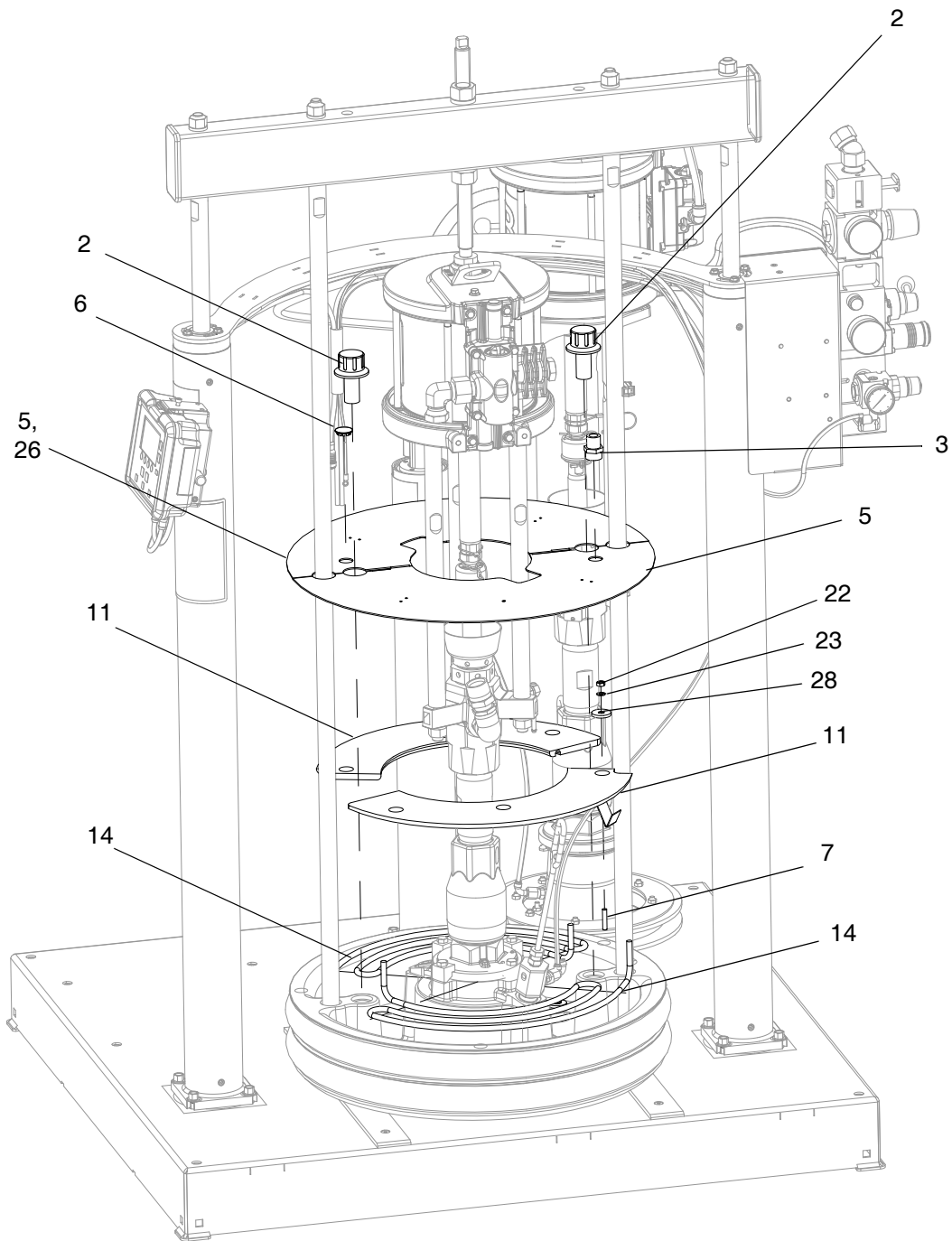


FIG. 5: Heated Platen Kit

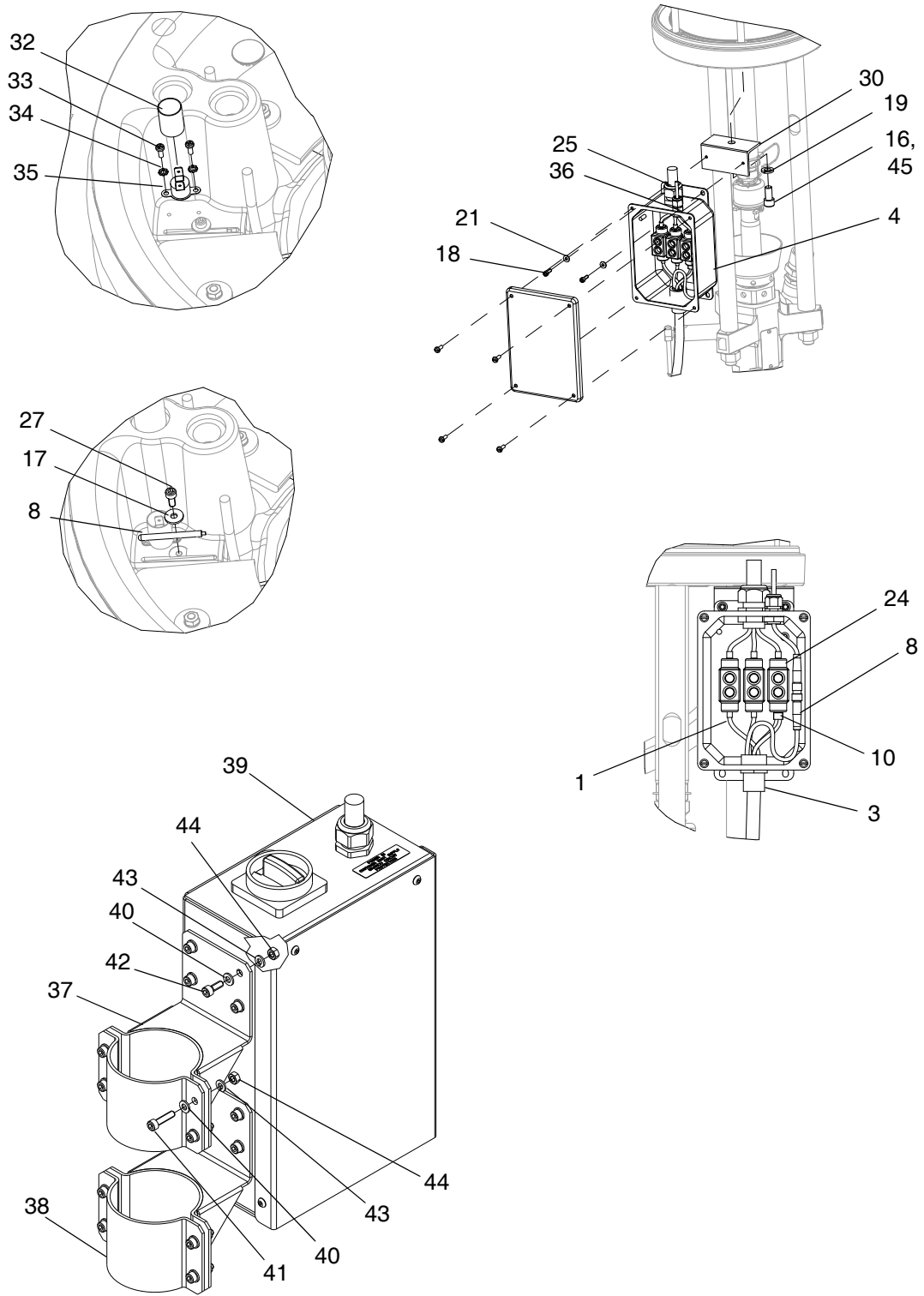


FIG. 6: Heated Platen Kit

Parts

Ref	Part	Description	Quantity
1	---	FERRULE, wire, 14awg	2
2	---	FASTENER, platen, cover	2
3	---	COUPLER, conduit	2
4	---	ENCLOSURE, platen, heated	1
5	---	COVER, platen front, assembly	2
6	---	PLUG, finishing, 13/16, nickel plate	1
7	---	STUD, 1/4-20 x 1.25	6
8	16D383	SENSOR, RTD, 1k ohm, shielded	1
9	---	NUT, full hex, 10-32	2
10	---	FERRULE, wire, 14awg, twin	1
11	---	CONDUCTOR, block, heater	2
12	---	WIRE, ground	2
13	---	WIRE, ground	1
14	15V427	HEATER, coil	2
15	---	CONDUIT, 12.9mm	2.70
16	---	SCREW, cap, 3/8-19x3/4	1
17	---	WASHER, M5	1
18	---	SCREW, cap, 8-32x1/2	2
19	---	WASHER, lock, 3/8	1
20	---	WASHER, lock, internal, M5	2
21	---	WASHER, flat, #6	2
22	---	NUT, hex, 1/4-20	6
23	---	WASHER, lock, 1/4	6
24	261821	CONNECTOR, wire, 6awg	2
25	---	GRIP, cord, 0.39-0.56, 1/2	1
26 ▲	15J075	LABEL, safety, hot surface & energized	1
27	---	SCREW, M5-0.8x12mm	1
28	---	WASHER, flat, special	6
29	---	SCREW, ground, M5-0.8x13mm	1
30	---	BRACKET, enclosure, platen	1
32	---	TUBE, shrink	1
33	---	SCREW, machine, 6-32x3/8	2
34	---	WASHER, lock external, #6	2
35	15B137	SWITCH, over temperature	1
36	---	GRIP, cord, straight	1

Ref	Part	Description	Quantity
37	---	BRACKET, mount, top	2
38	---	BRACKET, mounting, ram	2
39	24R870	MODULE, heat	1
40	---	WASHER, M6	16
41	---	SCREW, socket head, M6x25mm	8
42	---	SCREW, socket head, M6x16mm	8
43	---	WASHER, lock, M6	16
44	---	NUT, hex, M6	16
45	---	SCREW, cap, M8x20mm	1

▲ *Replacement Danger and Warning labels, tags and cards are available at no cost.*

--- *Not available for individual sale.*

Heat Enclosure, 24R870

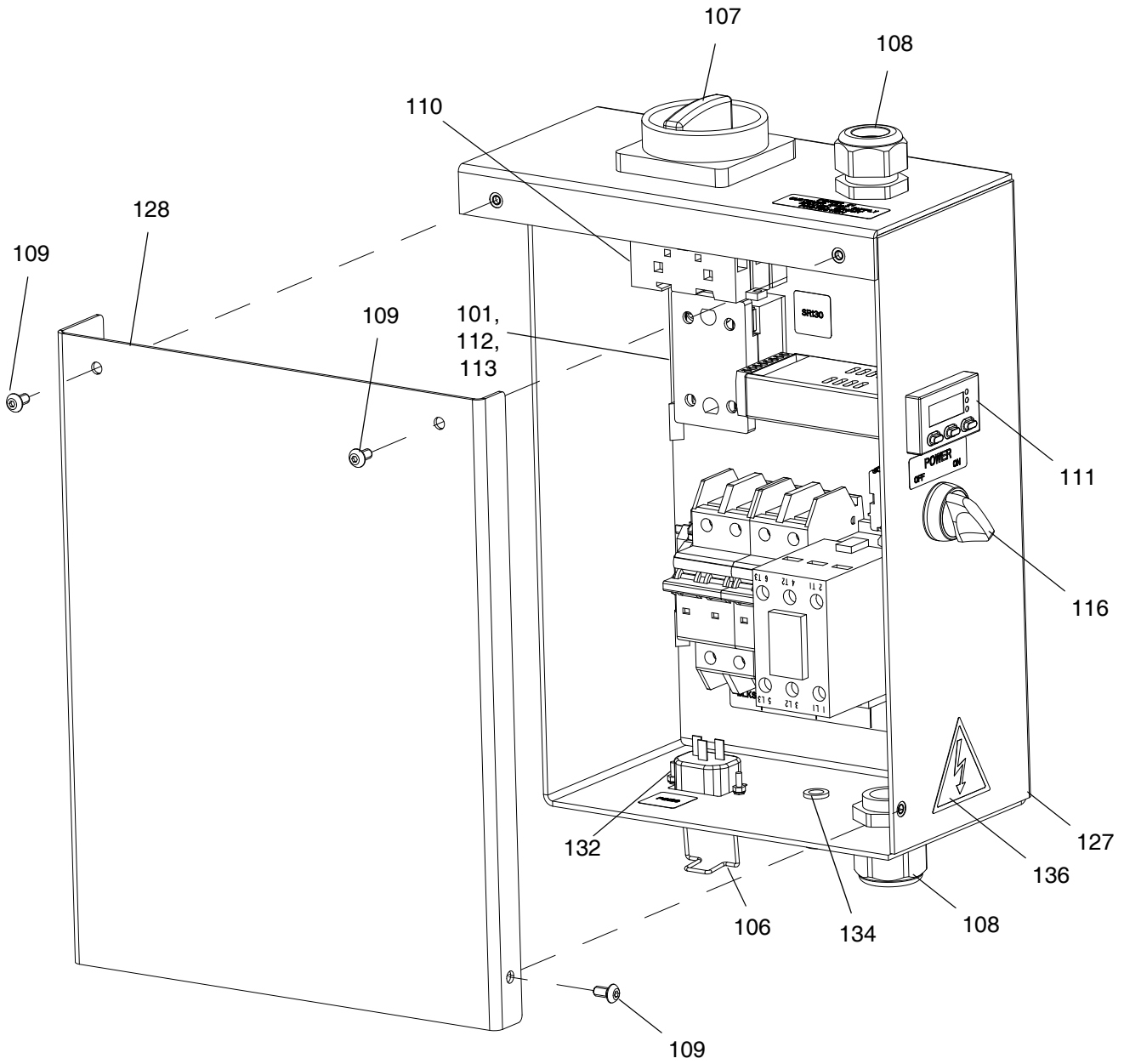


FIG. 7: Heat Module

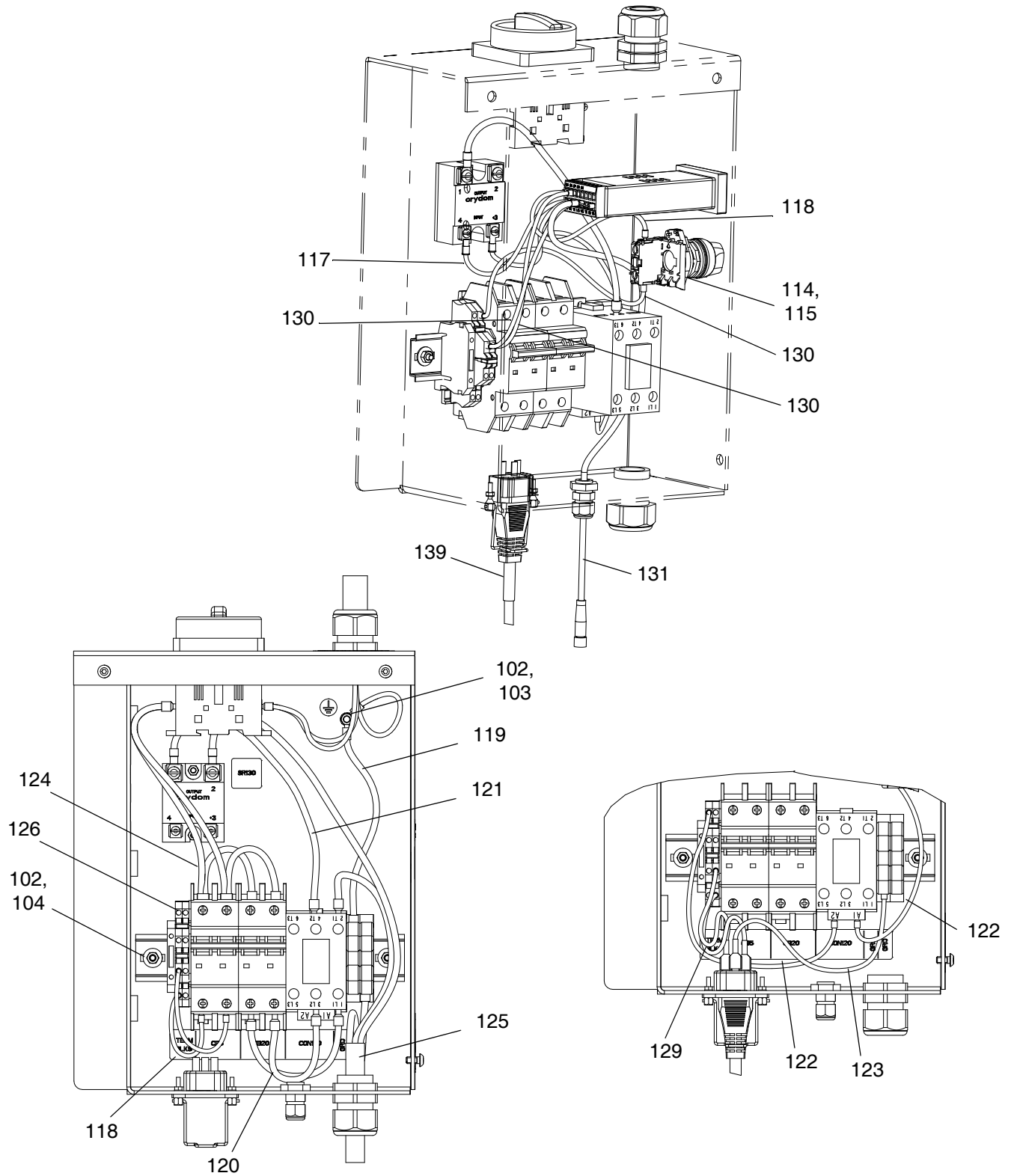


FIG. 8: Heat Module

Ref	Part	Description	Quantity
101	---	NUT, machine hex, M4-0.7	2
102	---	NUT, hex, M5-0.8	5
103	---	WASHER, lock, external, M5	3
104	---	WASHER, plain, #10	2
106	---	RETAINER, cord	1
107	121148	HANDLE, disconnect, electrical	1
108	---	GRIP, cord	2
109	---	SCREW, M5-0.8x10mm	4
110	126999	SWITCH, disconnect, 32a	1
111	24R941	MODULE, controller, heat, program	1
112	127106	RELAY, solid-state, 240v/50a	1
113	127107	COVER, relay, solid-state, 240v/50	1
114	---	LATCH, operator	1
115	---	BLOCK, contact, normally open	1
116	---	SWITCH, operator, selector	1
117	---	HARNESS, single, 16ga, black	2
118	---	HARNESS, single, 16ga, black	3
119	---	HARNESS, single, 10ga, green/yellow	1
120	---	HARNESS, single, 10ga, black,	2
121	---	HARNESS, single, 10ga, green/yellow	1
122	---	HARNESS, single, 16ga, black	2
123	---	HARNESS, single, 16ga, green/yellow	1
124	---	HARNESS, double, 10ga, black	2
125	---	HARNESS, 3 connector, 12ga	1
126	---	MODULE, din	1
127	---	BRACKET, mounting, heat, ram	1
128	---	COVER, bracket, mounting, heat, ram	1
129	---	HARNESS, sing, 16ga, black	2
130	---	HARNESS, sing, 16ga, black	3
131	---	HARNESS, m8, 4pin	1
132	---	CONNECTOR, power, panel mount	1
134	---	GRIP, cord	1
136 ▲	196548	LABEL, warning, shock	1
139	121599	CORD, power, v-lock	1

▲ Replacement Danger and Warning labels, tags and cards are available at no cost.

--- Not available for individual sale.

Graco Standard Warranty

Graco warrants all equipment referenced in this document which is manufactured by Graco and bearing its name to be free from defects in material and workmanship on the date of sale to the original purchaser for use. With the exception of any special, extended, or limited warranty published by Graco, Graco will, for a period of twelve months from the date of sale, repair or replace any part of the equipment determined by Graco to be defective. This warranty applies only when the equipment is installed, operated and maintained in accordance with Graco's written recommendations.

This warranty does not cover, and Graco shall not be liable for general wear and tear, or any malfunction, damage or wear caused by faulty installation, misapplication, abrasion, corrosion, inadequate or improper maintenance, negligence, accident, tampering, or substitution of non-Graco component parts. Nor shall Graco be liable for malfunction, damage or wear caused by the incompatibility of Graco equipment with structures, accessories, equipment or materials not supplied by Graco, or the improper design, manufacture, installation, operation or maintenance of structures, accessories, equipment or materials not supplied by Graco.

This warranty is conditioned upon the prepaid return of the equipment claimed to be defective to an authorized Graco distributor for verification of the claimed defect. If the claimed defect is verified, Graco will repair or replace free of charge any defective parts. The equipment will be returned to the original purchaser transportation prepaid. If inspection of the equipment does not disclose any defect in material or workmanship, repairs will be made at a reasonable charge, which charges may include the costs of parts, labor, and transportation.

THIS WARRANTY IS EXCLUSIVE, AND IS IN LIEU OF ANY OTHER WARRANTIES, EXPRESS OR IMPLIED, INCLUDING BUT NOT LIMITED TO WARRANTY OF MERCHANTABILITY OR WARRANTY OF FITNESS FOR A PARTICULAR PURPOSE.

Graco's sole obligation and buyer's sole remedy for any breach of warranty shall be as set forth above. The buyer agrees that no other remedy (including, but not limited to, incidental or consequential damages for lost profits, lost sales, injury to person or property, or any other incidental or consequential loss) shall be available. Any action for breach of warranty must be brought within two (2) years of the date of sale.

GRACO MAKES NO WARRANTY, AND DISCLAIMS ALL IMPLIED WARRANTIES OF MERCHANTABILITY AND FITNESS FOR A PARTICULAR PURPOSE, IN CONNECTION WITH ACCESSORIES, EQUIPMENT, MATERIALS OR COMPONENTS SOLD BUT NOT MANUFACTURED BY GRACO. These items sold, but not manufactured by Graco (such as electric motors, switches, hose, etc.), are subject to the warranty, if any, of their manufacturer. Graco will provide purchaser with reasonable assistance in making any claim for breach of these warranties.

In no event will Graco be liable for indirect, incidental, special or consequential damages resulting from Graco supplying equipment hereunder, or the furnishing, performance, or use of any products or other goods sold hereto, whether due to a breach of contract, breach of warranty, the negligence of Graco, or otherwise.

FOR GRACO CANADA CUSTOMERS

The Parties acknowledge that they have required that the present document, as well as all documents, notices and legal proceedings entered into, given or instituted pursuant hereto or relating directly or indirectly hereto, be drawn up in English. Les parties reconnaissent avoir convenu que la rédaction du présente document sera en Anglais, ainsi que tous documents, avis et procédures judiciaires exécutés, donnés ou intentés, à la suite de ou en rapport, directement ou indirectement, avec les procédures concernées.

Graco Information

Sealant and Adhesive Dispensing Equipment

For the latest information about Graco products, visit www.graco.com.

For patent information, see www.graco.com/patents.

TO PLACE AN ORDER, contact your Graco distributor, go to www.graco.com and select "Where to Buy" in the top blue bar, or call to find the nearest distributor.

If calling from the US: 800-746-1334

If calling from outside the US: 0-1-330-966-3000

All written and visual data contained in this document reflects the latest product information available at the time of publication. Graco reserves the right to make changes at any time without notice.

Original instructions. This manual contains English. MM 332511

Graco Headquarters: Minneapolis

International Offices: Belgium, China, Japan, Korea

GRACO INC. AND SUBSIDIARIES • P.O. BOX 1441 • MINNEAPOLIS MN 55440-1441 • USA

Copyright 2013, Graco Inc. All Graco manufacturing locations are registered to ISO 9001.

www.graco.com

Revision B, January 2017