

Oil Pump System

312862H

EN

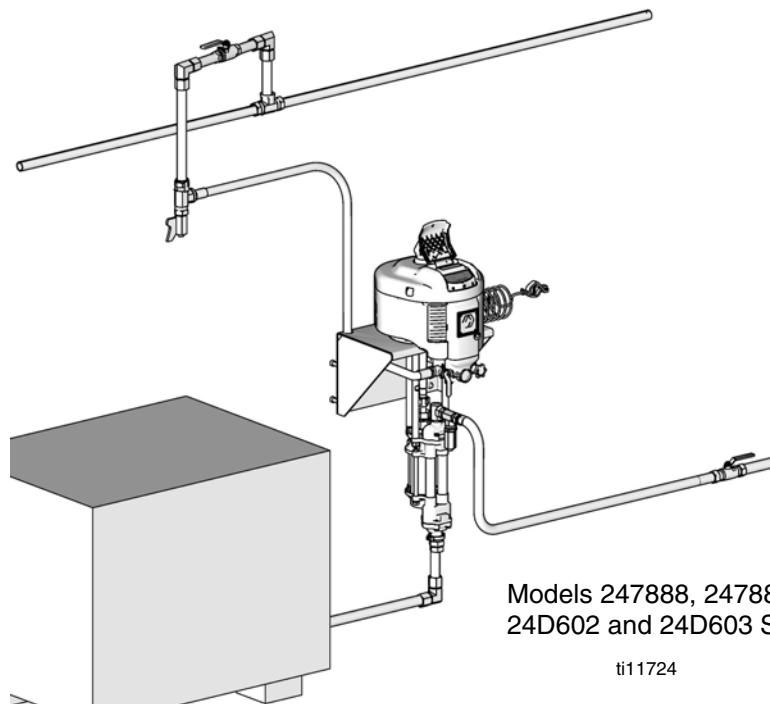


Important Safety Instructions

Read all warnings and instructions in this manual. Save these instructions.

See supplied pump and motor manuals for important Safety and Warnings information and installation, operation and service instructions for those components.

See page 2 for model information, including maximum working pressure.



Models

Packages With DataTrak								System Maximum Working Pressure	
								Air	Fluid
System Part No.	Sub Level Part No.	Pump	Air Motor Size	Lower Size	Pump Manual	Pump Lower Manual	Floor or Wall Mount	psi (MPa, bar)	psi (MPa, bar)
247888	24D590	3.5:1, High-Flo	NXT3400	2000 cc	3A2024	3A2023	255143 Wall	100 (0.7, 7.0)	350 (.4, 24)
247889	24D591	4.5:1, High-Flo	NXT3400	1500 cc	3A2024	3A2023		100 (0.7, 7.0)	450 (3.1, 31)
247890	24D592	6:1, Dura-Flo	NXT3400	1000 cc	311833	311717		100 (0.7, 7.0)	620 (4.3, 43)
247891	24D593	12:1, Dura-Flo	NXT3400	580 cc	311826	311825		100 (0.7, 7.0)	1190 (8.2, 82)
247983		12:1 Dura-Flo, SST	NXT3400	580 cc	311826	311825		100 (0.7, 7.0)	1190 (8.2, 82)
247892	24D594	6:1, High-Flo	NXT6500	2000 cc	3A2024	3A2023		75 (0.5, 5.2)	500 (3.4, 34)
247893	24D594	6:1, High-Flo	NXT6500	2000 cc	3A2024	3A2023	218742 Floor	75 (0.5, 5.2)	500 (3.4, 34)
247894	24D595	10:1, Dura-Flo	NXT6500	1000 cc	311833	311717	255143 Wall	100 (0.7, 7.0)	1180 (8.1, 81)
247895		23:1, Dura-Flo	NXT6500	580 cc	311826	311825		75 (0.5, 5.2)	1725 (11.9, 119)
Packages Without DataTrak									
24D602	24J092	3.5:1, High-Flo	NXT3400	2000 cc	3A2024	3A2023	255143 Wall	100 (0.7, 7.0)	350 (.4, 24)
24D603	24J091	4.5:1, High-Flo	NXT3400	1500 cc	3A2024	3A2023		100 (0.7, 7.0)	450 (3.1, 31)
24D604	24D598	6:1, Dura-Flo	NXT3400	1000 cc	311833	311717		100 (0.7, 7.0)	620 (4.3, 43)
24D605	24D599	12:1, Dura-Flo	NXT3400	580 cc	311826	311825		100 (0.7, 7.0)	1190 (8.2, 82)
24D606	24J093	6:1, High-Flo	NXT6500	2000 cc	3A2024	3A2023		75 (0.5, 5.2)	500 (3.4, 34)
24D607	24J093	6:1, High-Flo	NXT6500	2000 cc	3A2024	3A2023	218742 Floor	100 (0.7, 7.0)	500 (3.4, 34)
24D608	24D601	10:1, Dura-Flo	NXT6500	1000 cc	311833	311717	255143 Wall	100 (0.7, 7.0)	1180 (8.1, 81)

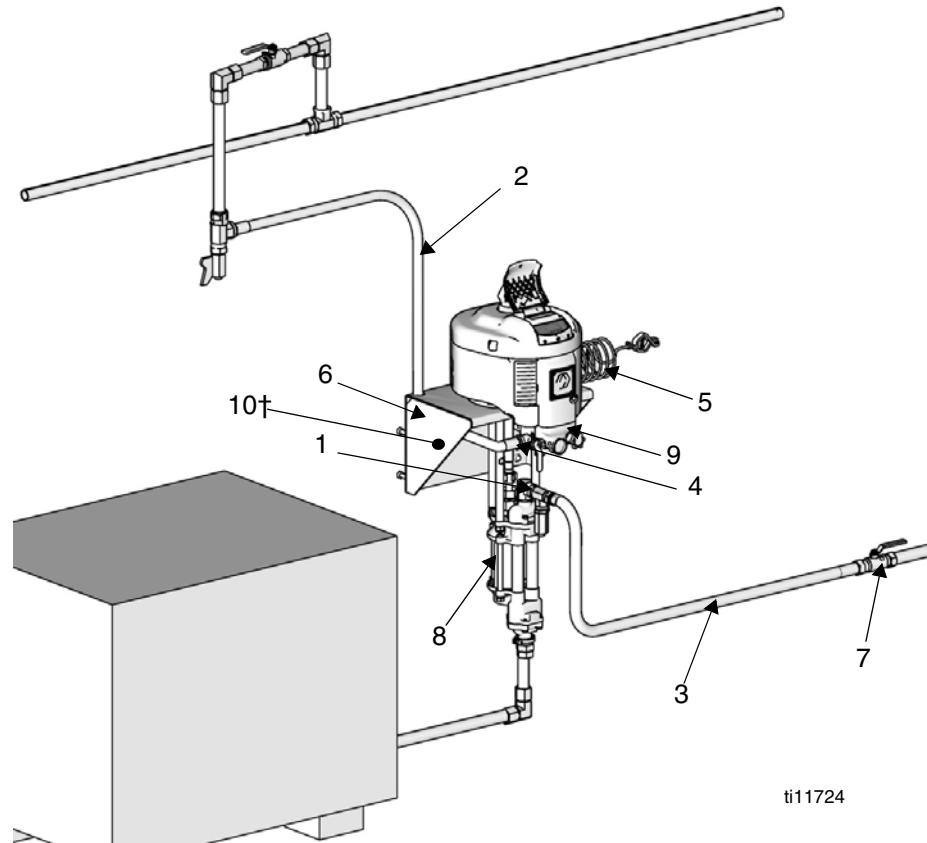
California Proposition 65

CALIFORNIA RESIDENTS

 **WARNING:** Cancer and reproductive harm – www.P65warnings.ca.gov.

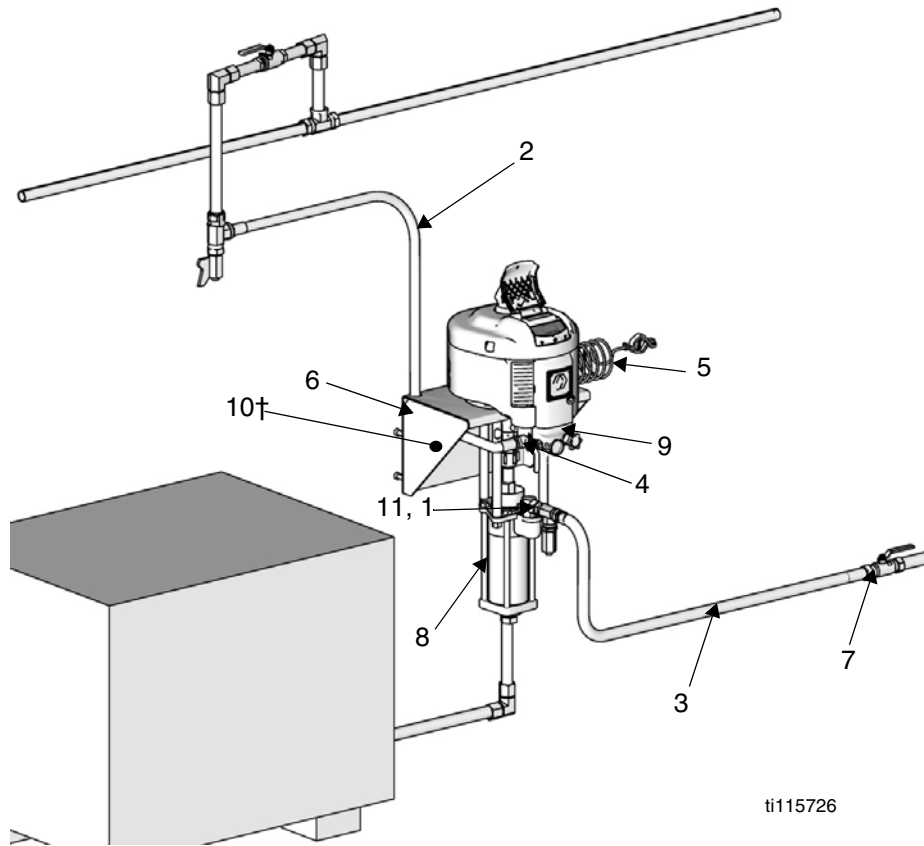
Setup and Parts

Models: 247888, 247889, 24D602, 24D603 - Wall Mount



Ref. No.	Part No.	Description	Qty.	Ref. No.	Part No.	Description	Qty.
1	102806	FITTING, union, adapter 90°	1	24J092	PUMP, MR4-ball, 3400/2000 (model 24D602)	1	
2	110048	HOSE, air, coupled, 48 inch	1	9	NXT011 CONTROL, air integrated, locking	1	
3	115042	HOSE, fluid, coupled, 6 foot	1	10†	247887 CE Identification label	1	
4	157785	FITTING, air, swivel	1				
5	244524	WIRE, ground, assembly, with clamp	1	†	Attention: To comply with CE directives, the CE identification label must be affixed to the wall bracket as shown. Permanently mark the date of assembly on the label.		
6	255143	KIT, bracket, wall mounting	1				
7	512152	VALVE, ball, 1" NPT(F)	1				
8	24D590	PUMP, LR 4-ball, 3400/2000 (model 247888)	1				
	24D591	PUMP, LR 4-ball, 3400/1500 (model 247889)	1				
	24J091	PUMP, MR4-ball, 3400/1500 (model 24D603)	1				

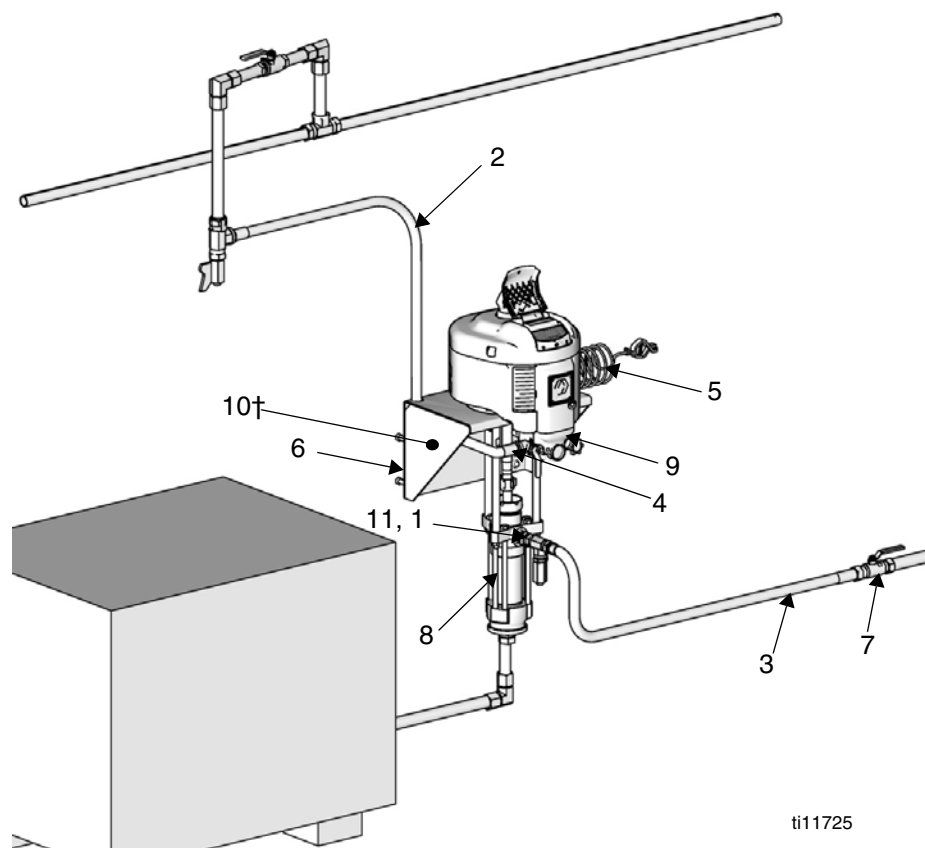
Models: 247890, 247894, 24D608 - Wall Mount



Ref. No.	Part No.	Description	Qty.
1	102806	FITTING, union, adapter 90°	1
2	110048	HOSE, air, coupled, 48 inch	1
3	115042	HOSE, fluid, coupled, 6 foot,	1
4	157785	FITTING, air, swivel	1
5	244524	WIRE, ground, assembly, with clamp	1
6	255143	KIT, bracket, wall mounting	1
7	512152	VALVE, ball, 1" NPT(F)	1
8	24D592	PUMP, Dura-Flo, 3400/1000 (model 247890)	1
	24D595	PUMP, Dura-Flo, 6500/1000 (model 247894)	1
	24D601	PUMP, Dura-Flo, 6500/1000 (model 24D608)	1
9	NXT011	CONTROL, air integrated, locking	1
10†		CE Identification label	1
11	C19668	FITTING, bushing, reducing	1

† **Attention:** To comply with CE directives, the CE identification label must be affixed to the wall bracket as shown. Permanently mark the date of assembly on the label.

Models: 247891, 247983, 247895, 24D604, 24D605- Wall Mount

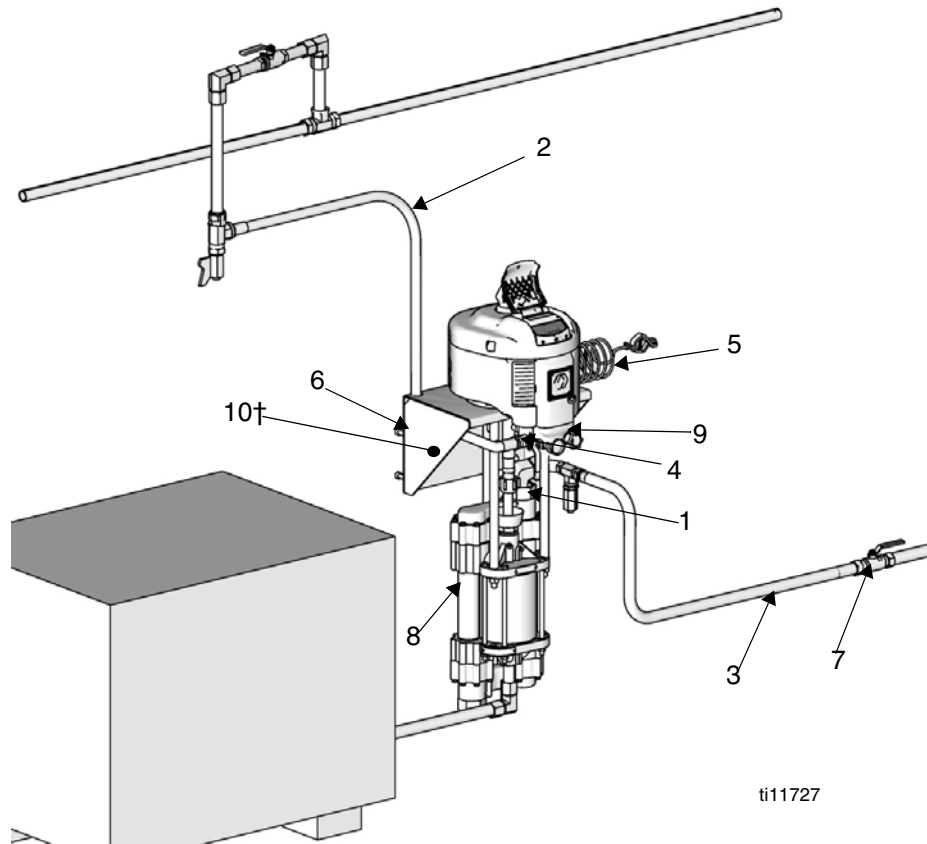


ti11725

Ref. No.	Part No.	Description	Qty.
1	160022	FITTING, union, adapter, straight	1
2	110048	HOSE, air, coupled, 48 inch	1
3	115042	HOSE, fluid, coupled, 6 foot	1
4	157785	FITTING, air, swivel	1
5	244524	WIRE, ground, assembly, with clamp	1
6	255143	KIT, bracket, wall mounting	1
7	512152	VALVE, ball, 1" NPT(F)	1
8	24D593	PUMP, Dura-Flo, 3400/580 (model 247891)	1
	P12MSA	PUMP, Dura-Flo, 3400/580 (model 247983)	1
	P23MCD	PUMP, Dura-Flo, 6500/580 (model 247895)	1
9	NXT011	CONTROL, air integrated, locking (models 247891 and 247983)	1
	NXT031	CONTROL, air integrated locking (model 247895)	1
10†		CE Identification label	1
11	116650	COUPLING, 1 inch x 1-1/2 inch, (model 247891)	1

† **Attention:** To comply with CE directives, the CE identification label must be affixed to the wall bracket as shown. Permanently mark the date of assembly on the label.

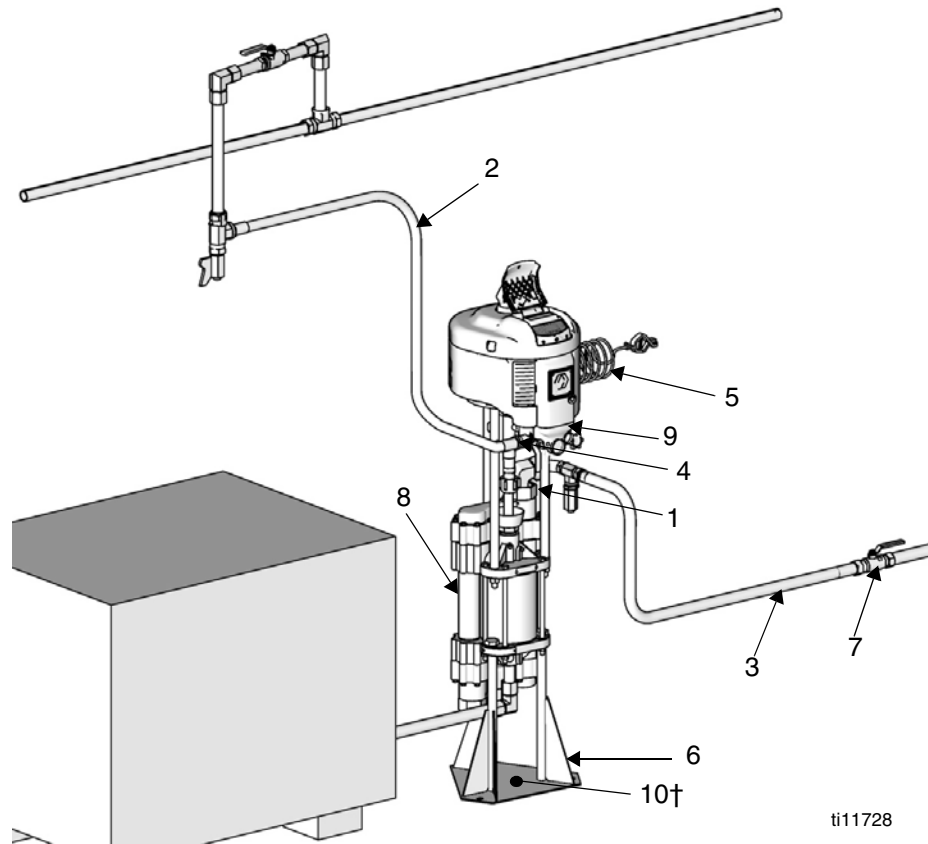
Model: 247892, 24D606 - Wall Mount



Ref. No.	Part No.	Description	Qty.
1	121476	FITTING, swivel, 90°, 2 inch	1
2	110048	HOSE, air, coupled, 48 inch	1
3	247969	HOSE, fluid, coupled, 6 foot	1
4	157785	FITTING, air, swivel	1
5	244524	WIRE, ground, assembly, with clamp	1
6	255143	KIT, bracket, wall mounting	1
7	512213	VALVE, ball, 2" NPT(F)	1
8	JC60M1	PUMP, LR, 4-ball, 6500/2000 (model 247892)	1
	24J093	PUMP, LR-4 ball, 6500/2000 (model 24D606)	1
9	NXT031	CONTROL, air integrated, locking	1
10†	247887	CE Identification label	1

† **Attention:** To comply with CE directives, the CE identification label must be affixed to the wall bracket as shown. Permanently mark the date of assembly on the label.

Model: 247893, 24D607 - Floor Mount



Ref. No.	Part No.	Description	Qty.
1	121476	FITTING, swivel, 90°, 2 inch	1
2	110048	HOSE, air, coupled, 48 inch	1
3	247969	HOSE, fluid, coupled, 6 foot	1
4	157785	FITTING, air, swivel	1
5	244524	WIRE, ground, assembly, with clamp	1
6	218742	KIT, stand mounting	1
7	512213	VALVE, ball, 2" NPT(F)	1
8	JC60M1	PUMP, LR 4-ball, 6500/2000 (model 247893)	1
	24J093	PUMP, LR-4 ball, 6400/2000 (24D607)	
9	NXT031	CONTROL, air integrated, locking	1
10†		CE Identification label	1

† **Attention:** To comply with CE directives, the CE identification label must be affixed to the floor stand as shown. Permanently mark the date of assembly on the label.

Graco Standard Warranty

Graco warrants all equipment referenced in this document which is manufactured by Graco and bearing its name to be free from defects in material and workmanship on the date of sale to the original purchaser for use. With the exception of any special, extended, or limited warranty published by Graco, Graco will, for a period of twelve months from the date of sale, repair or replace any part of the equipment determined by Graco to be defective. This warranty applies only when the equipment is installed, operated and maintained in accordance with Graco's written recommendations.

This warranty does not cover, and Graco shall not be liable for general wear and tear, or any malfunction, damage or wear caused by faulty installation, misapplication, abrasion, corrosion, inadequate or improper maintenance, negligence, accident, tampering, or substitution of non-Graco component parts. Nor shall Graco be liable for malfunction, damage or wear caused by the incompatibility of Graco equipment with structures, accessories, equipment or materials not supplied by Graco, or the improper design, manufacture, installation, operation or maintenance of structures, accessories, equipment or materials not supplied by Graco.

This warranty is conditioned upon the prepaid return of the equipment claimed to be defective to an authorized Graco distributor for verification of the claimed defect. If the claimed defect is verified, Graco will repair or replace free of charge any defective parts. The equipment will be returned to the original purchaser transportation prepaid. If inspection of the equipment does not disclose any defect in material or workmanship, repairs will be made at a reasonable charge, which charges may include the costs of parts, labor, and transportation.

THIS WARRANTY IS EXCLUSIVE, AND IS IN LIEU OF ANY OTHER WARRANTIES, EXPRESS OR IMPLIED, INCLUDING BUT NOT LIMITED TO WARRANTY OF MERCHANTABILITY OR WARRANTY OF FITNESS FOR A PARTICULAR PURPOSE.

Graco's sole obligation and buyer's sole remedy for any breach of warranty shall be as set forth above. The buyer agrees that no other remedy (including, but not limited to, incidental or consequential damages for lost profits, lost sales, injury to person or property, or any other incidental or consequential loss) shall be available. Any action for breach of warranty must be brought within two (2) years of the date of sale.

GRACO MAKES NO WARRANTY, AND DISCLAIMS ALL IMPLIED WARRANTIES OF MERCHANTABILITY AND FITNESS FOR A PARTICULAR PURPOSE, IN CONNECTION WITH ACCESSORIES, EQUIPMENT, MATERIALS OR COMPONENTS SOLD BUT NOT MANUFACTURED BY GRACO. These items sold, but not manufactured by Graco (such as electric motors, switches, hose, etc.), are subject to the warranty, if any, of their manufacturer. Graco will provide purchaser with reasonable assistance in making any claim for breach of these warranties.

In no event will Graco be liable for indirect, incidental, special or consequential damages resulting from Graco supplying equipment hereunder, or the furnishing, performance, or use of any products or other goods sold hereto, whether due to a breach of contract, breach of warranty, the negligence of Graco, or otherwise.

FOR GRACO CANADA CUSTOMERS

The Parties acknowledge that they have required that the present document, as well as all documents, notices and legal proceedings entered into, given or instituted pursuant hereto or relating directly or indirectly hereto, be drawn up in English. Les parties reconnaissent avoir convenu que la rédaction du présente document sera en Anglais, ainsi que tous documents, avis et procédures judiciaires exécutés, donnés ou intentés, à la suite de ou en rapport, directement ou indirectement, avec les procédures concernées.

Graco Information

For the latest information about Graco products, visit www.graco.com.

TO PLACE AN ORDER, contact your Graco distributor or call to identify the nearest distributor.

Phone: 612-623-6928 **or Toll Free:** 1-800-533-9655, **Fax:** 612-378-3590

*All written and visual data contained in this document reflects the latest product information available at the time of publication.
Graco reserves the right to make changes at any time without notice.*

For patent information, see www.graco.com/patents.

Original instructions. This manual contains English. MM 312862

Graco Headquarters: Minneapolis
International Offices: Belgium, China, Japan, Korea

GRACO INC. AND SUBSIDIARIES • P.O. BOX 1441 • MINNEAPOLIS MN 55440-1441 • USA

Copyright 2008, Graco Inc. All Graco manufacturing locations are registered to ISO 9001.

www.graco.com

Revised November 2020